



US00D723314S

(12) **United States Design Patent**
Gates et al.

(10) **Patent No.:** **US D723,314 S**
(45) **Date of Patent:** **** Mar. 3, 2015**

(54) **POUCH STRAW**

(75) Inventors: **Richard H. Gates**, Wisconsin Dells, WI (US); **Christopher R. Wolf**, Portage, WI (US)

(73) Assignee: **Nuk USA LLC**, Tarrytown, NY (US)

(**) Term: **14 Years**

(21) Appl. No.: **29/420,741**

(22) Filed: **May 11, 2012**

(51) **LOC (10) Cl.** **07-06**

(52) **U.S. Cl.**
USPC **D7/300.2**

(58) **Field of Classification Search**
USPC D7/300.2; D24/108, 112; 215/229, 388, 215/389; 239/16, 24, 33; 604/35; 433/91, 433/96

See application file for complete search history.

(56) **References Cited**

U.S. PATENT DOCUMENTS

1,829,671 A	10/1931	Ribera	
2,041,351 A	5/1936	Jones	
2,252,119 A	8/1941	Edmonds	
2,453,525 A	11/1948	McNeill	
2,698,996 A	1/1955	Hickerson	
2,837,822 A	6/1958	Wille	
2,953,170 A	9/1960	Bush	
D191,387 S	9/1961	Hansen	
3,104,032 A	9/1963	Hansen	
3,133,679 A	5/1964	Brown	
3,510,643 A	5/1970	File	
4,091,965 A	5/1978	Gebhard	
4,192,360 A	3/1980	Rodriquez	
D321,250 S *	10/1991	Jepson et al.	D24/112
D324,824 S *	3/1992	Hansen	D9/436
5,137,183 A	8/1992	Mikulec et al.	
D331,348 S *	12/1992	Park	D9/434
5,305,928 A	4/1994	Verdaguer	
D349,770 S	8/1994	Jarnagin	
5,377,879 A	1/1995	Isaacs	

D363,004 S	10/1995	Popek	
5,462,101 A	10/1995	Mouchmouchian	
5,682,931 A	11/1997	Mouchmouchian	
5,881,926 A	3/1999	Ross	
6,071,523 A	6/2000	Mehta et al.	
6,102,254 A	8/2000	Ross et al.	
6,264,074 B1	7/2001	Emilsson	
D451,196 S *	11/2001	Block et al.	D24/133
6,355,258 B1	3/2002	Mehta et al.	
6,399,079 B1	6/2002	Mehta et al.	
6,503,014 B2 *	1/2003	Louis et al.	401/126
D478,814 S *	8/2003	Shepard	D9/528
6,675,482 B1	1/2004	Gilbert, Jr. et al.	

(Continued)

OTHER PUBLICATIONS

NUK 2 Count Gerber Graduates Pouch, announced Aug. 2013, [online], [site visited Apr. 2014]. Available from Internet, <URL: <http://thanhnhujsc.com>>.*

(Continued)

Primary Examiner — Eric Goodman

Assistant Examiner — Jennifer Watkins

(74) *Attorney, Agent, or Firm* — Husch Blackwell LLP

(57) **CLAIM**

The ornamental design for a pouch straw, as shown and described.

DESCRIPTION

FIG. 1 is a front perspective view of a pouch straw showing our new design.

FIG. 2 is a front elevational view thereof.

FIG. 3 is a rear elevational view thereof.

FIG. 4 is a left side elevational view thereof.

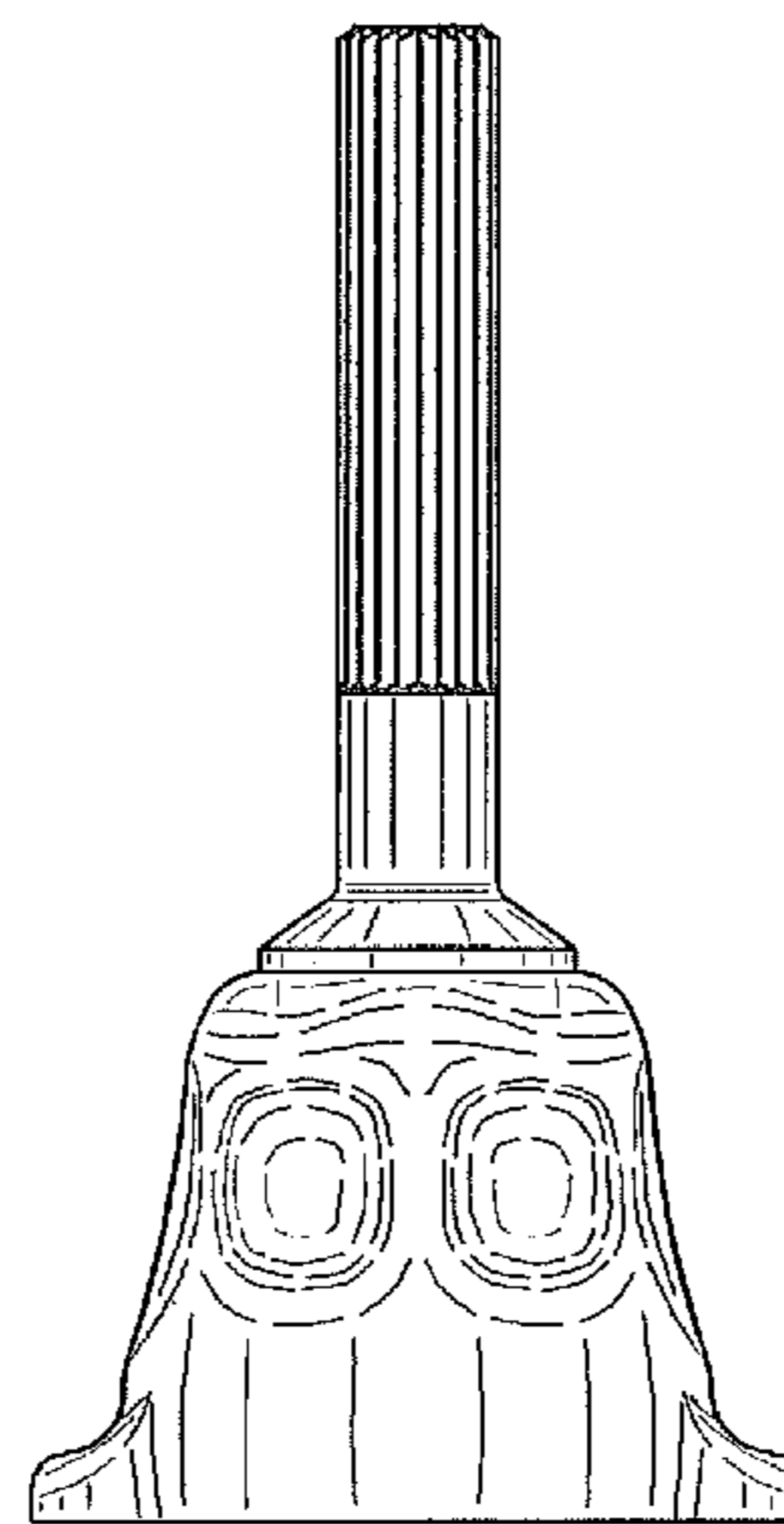
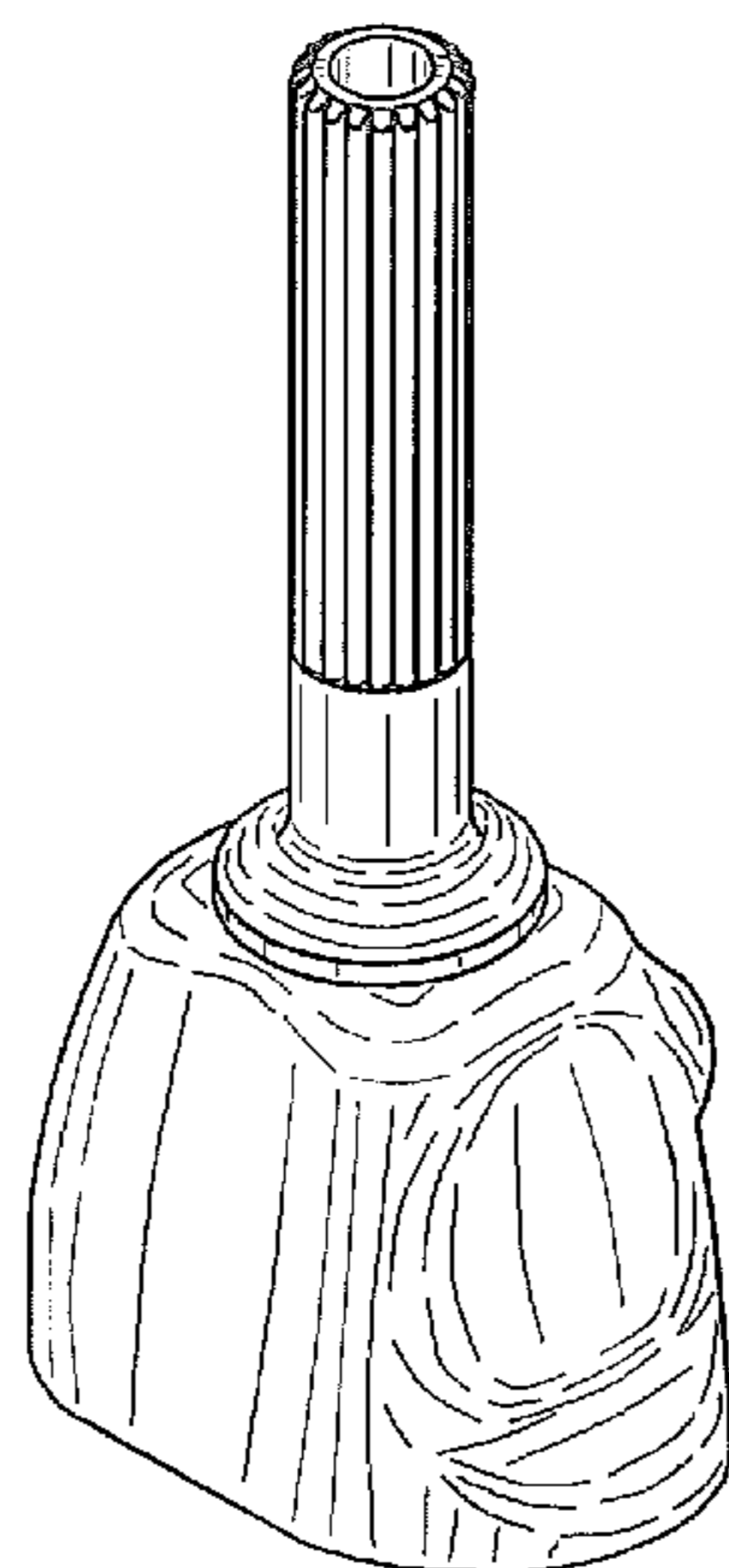
FIG. 5 is a right side elevational view thereof.

FIG. 6 is a top plan view thereof; and,

FIG. 7 is a bottom plan view thereof.

The broken lines in the drawings are for the purpose of illustrating portions of the pouch straw that form no part of the claimed design.

1 Claim, 2 Drawing Sheets



(56)

References Cited

U.S. PATENT DOCUMENTS

6,802,423 B2 10/2004 O'Brien
7,032,632 B2 4/2006 Shingle
D545,640 S 7/2007 Risdén
7,374,046 B1 * 5/2008 O'Brien 206/541
D589,760 S 4/2009 Mozar
D627,879 S * 11/2010 Bruns D24/122
D629,250 S 12/2010 Finell et al.
D633,385 S * 3/2011 Baker et al. D9/447
7,975,386 B1 7/2011 Halvorson
8,020,303 B1 9/2011 Marsh
8,038,034 B2 10/2011 Pelfrey
8,091,242 B2 1/2012 Teys et al.
D655,017 S * 2/2012 Mosler et al. D24/231

D655,138 S 3/2012 Roberts
D672,052 S * 12/2012 Bucher et al. D24/224
D672,210 S * 12/2012 Rockwell et al. D7/642
D676,718 S * 2/2013 Rockwell et al. D7/642
8,425,771 B2 * 4/2013 O'Brien et al. 210/200
2004/0006874 A1 1/2004 Kamm et al.
2009/0028629 A1 1/2009 deVirag et al.
2010/0147885 A1 * 6/2010 Braxton et al. 222/106
2011/0186597 A1 8/2011 Schaefer

OTHER PUBLICATIONS

Boon, Inc., Plum Organics Baby Dispensing Spoon, packaging photos, 2010.

* cited by examiner

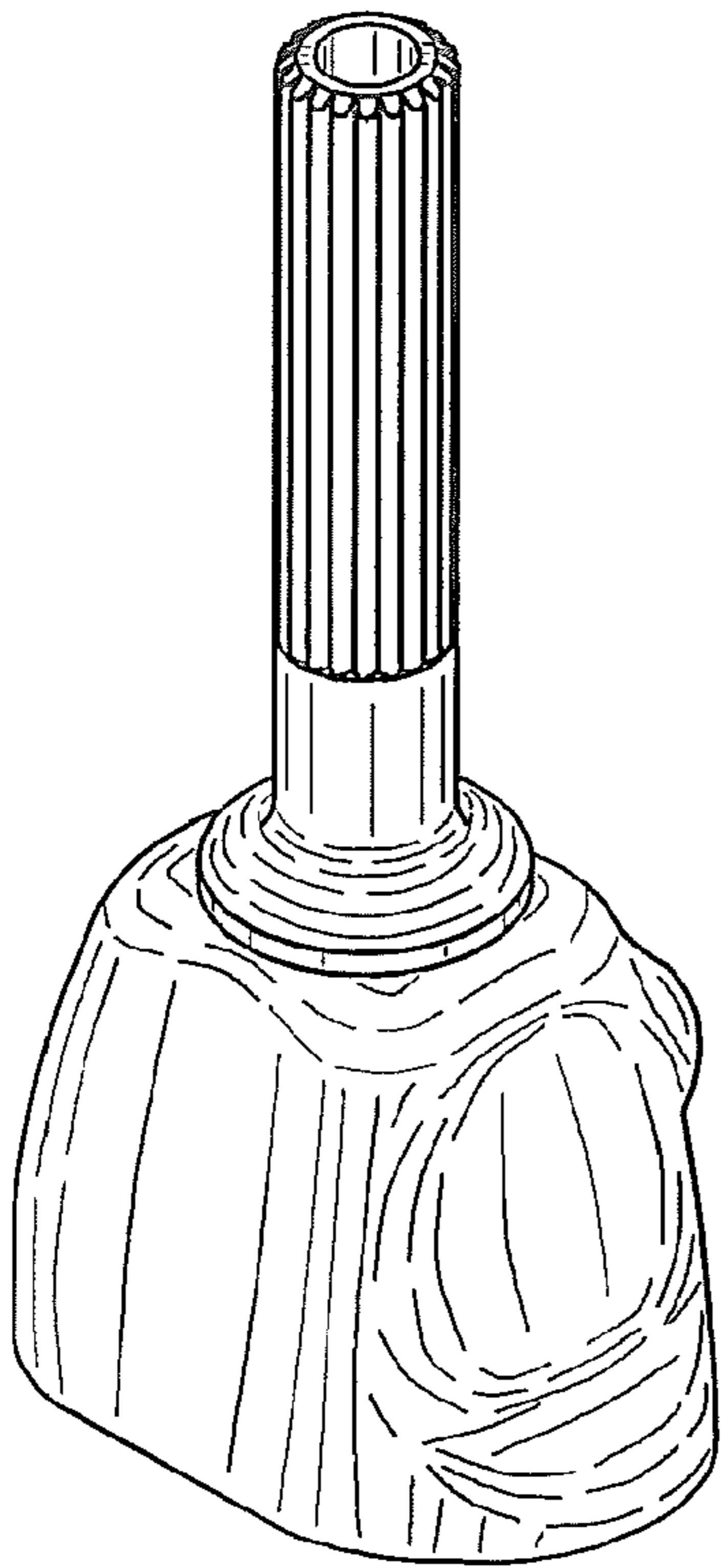


FIG. 1

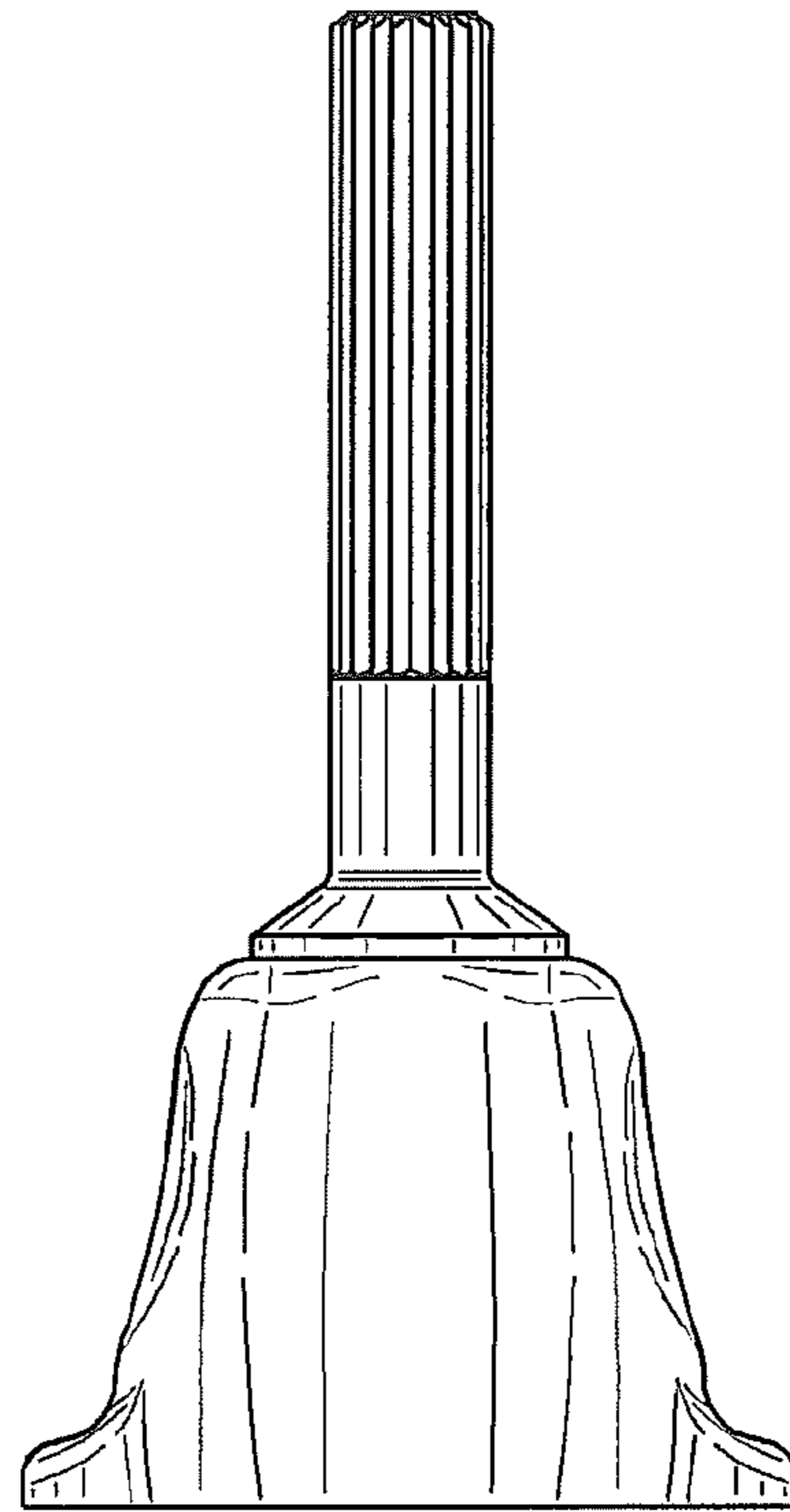


FIG. 2



FIG. 3

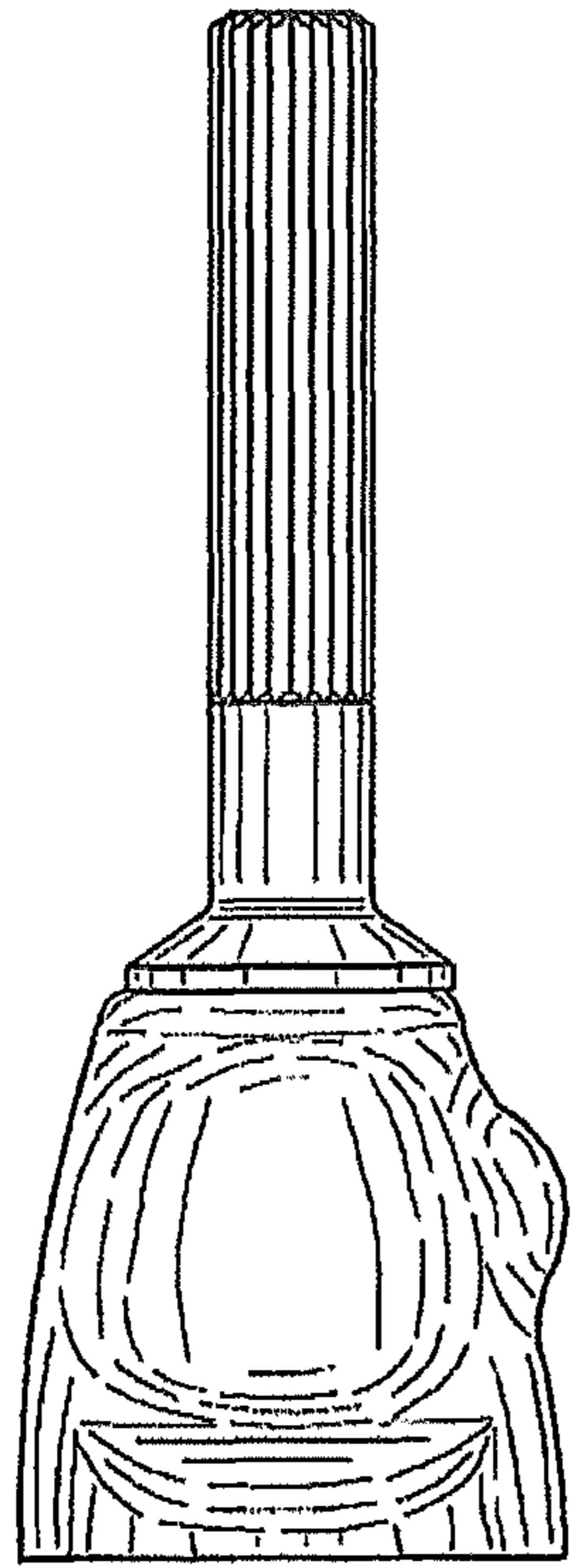


FIG. 4

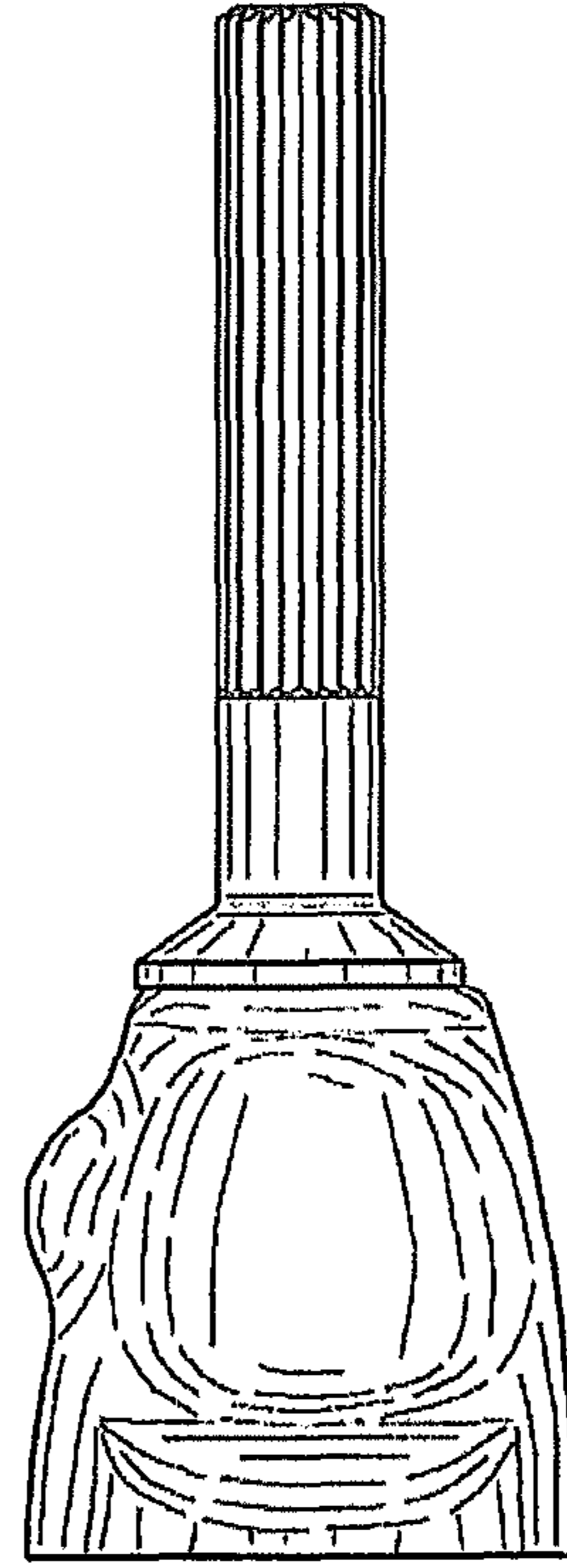


FIG. 5

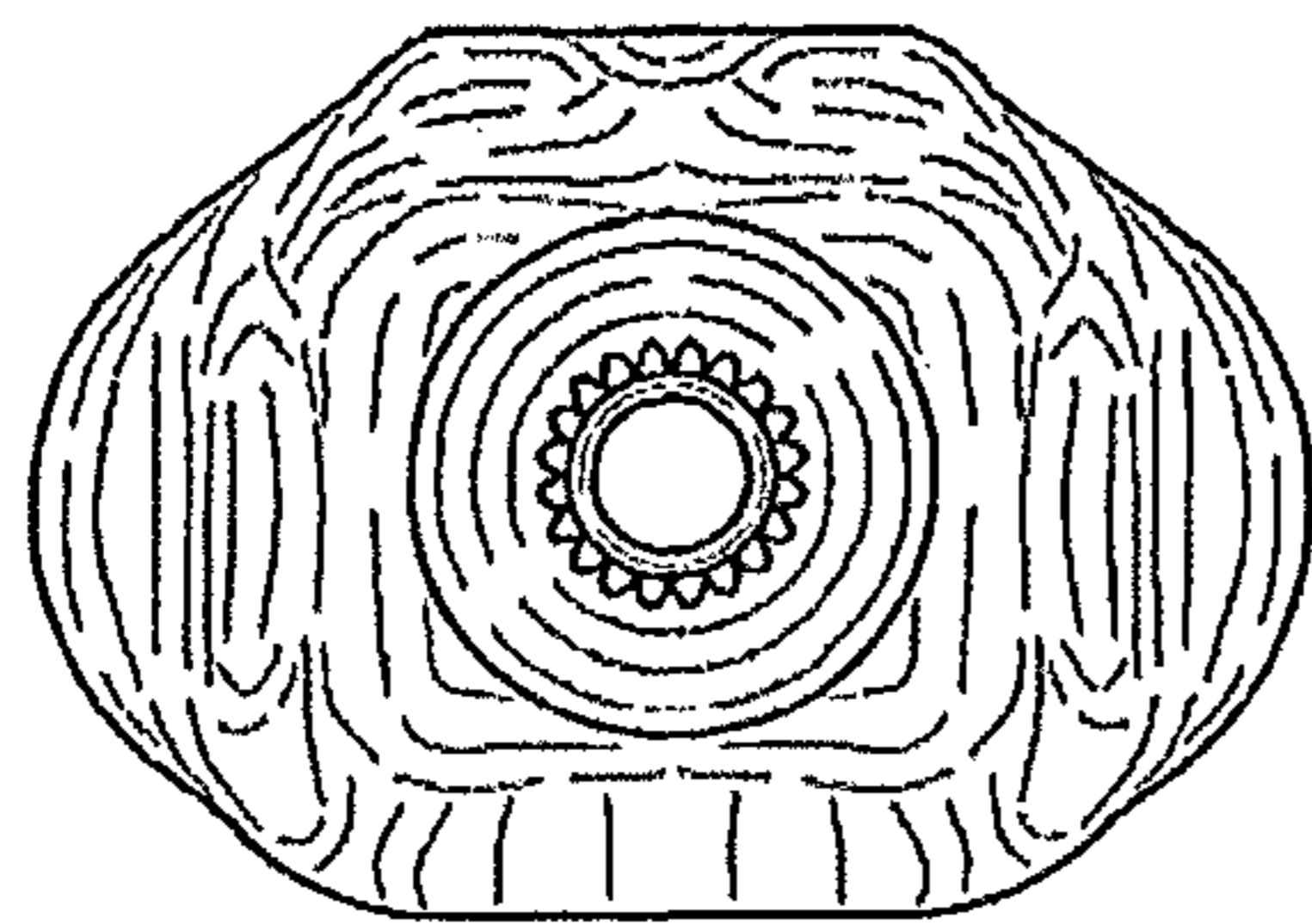


FIG. 6

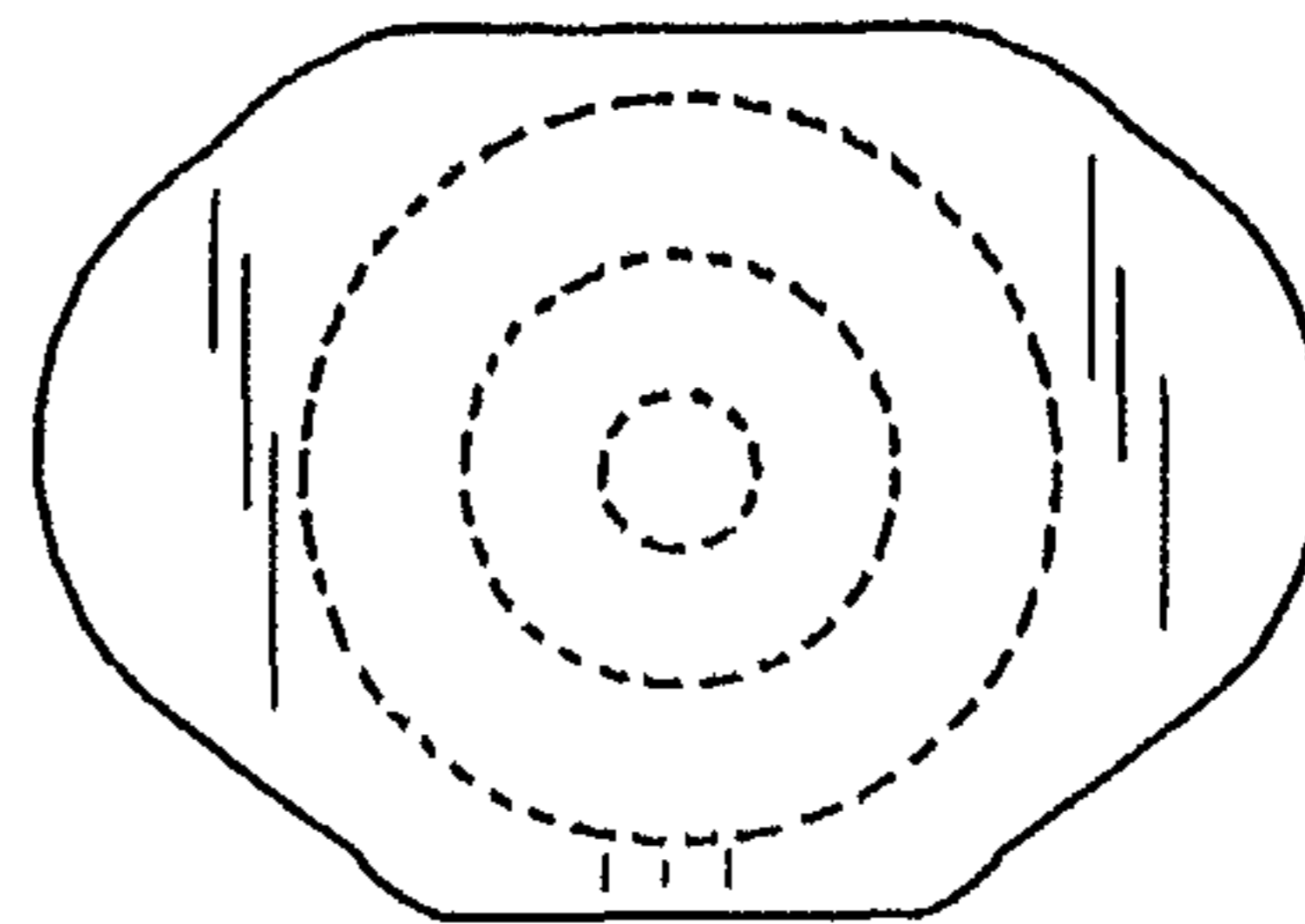


FIG. 7