

US00D723311S

(12) **United States Design Patent**
Jiang et al.

(10) **Patent No.:** **US D723,311 S**
(45) **Date of Patent:** **** Mar. 3, 2015**

(54) **MULTI-MEDIA DEVICE STAND**
(71) Applicants: **Wayne Jiang**, Happy Valley, OR (US);
Brian Jiang, Happy Valley, OR (US)
(72) Inventors: **Wayne Jiang**, Happy Valley, OR (US);
Brian Jiang, Happy Valley, OR (US)
(**) Term: **14 Years**

D423,036 S * 4/2000 Lombardi D17/22
D435,365 S * 12/2000 Eason et al. D6/466
D475,800 S * 6/2003 Reisbord D26/65
D557,035 S * 12/2007 Huang D6/419
D639,088 S * 6/2011 Rodgers et al. D6/449
D643,230 S * 8/2011 Hepeng D6/411
D677,075 S * 3/2013 Rodgers et al. D6/672
D685,804 S * 7/2013 Richter D14/447
D704,486 S * 5/2014 Cho D6/708.25
D707,672 S * 6/2014 Lai D14/253
D708,603 S * 7/2014 Kim D14/253

(21) Appl. No.: **29/466,908**
(22) Filed: **Sep. 12, 2013**
(51) **LOC (10) Cl.** **14-99**
(52) **U.S. Cl.**
USPC **D6/681**; D14/253; D14/447; D6/681.3;
D6/682.3

(58) **Field of Classification Search**
USPC D6/310, 407, 672, 681; D8/300, 306,
D8/307, 325, 336, 355, 382, 394; D10/74,
D10/106, 92; D13/107, 108; D14/130, 140,
D14/140.2, 140.3, 140.5, 140.6, 140.8,
D14/140.9, 203.1, 203.4, 203.5, 217, 225,
D14/238, 240, 251, 253, 302, 375; D16/45,
D16/46, 136, 240, 244, 245; D17/9, 60, 83,
D17/84, 99; D26/60, 61, 62, 63, 93, 106;
248/168, 169, 170, 171

See application file for complete search history.

(56) **References Cited**

U.S. PATENT DOCUMENTS

340,195 A * 4/1886 Curtis 248/170
925,853 A * 6/1909 Tompkins 248/121
3,064,932 A * 11/1962 Holderman 248/171
D324,584 S * 3/1992 Beavers et al. D26/140
D381,114 S * 7/1997 Xu D26/140
5,979,856 A * 11/1999 Hsu 248/441.1

OTHER PUBLICATIONS

Crank Stand, announced, [Dec. 20, 2010], [site visited Oct. 7, 2014].
Available from Internet, <URL: [http://www.bhphotovideo.com/c/
product/690123-REG/Global_Truss_ST_132_Medium_Duty_
Crank_Stand.html]:>.*

* cited by examiner

Primary Examiner — Cathron Brooks
Assistant Examiner — Catherine Posthauer
(74) *Attorney, Agent, or Firm* — Mark S. Hubert

(57) **CLAIM**

We claim the ornamental design for the multi-media device stand, as shown and described.

DESCRIPTION

FIG. 1 is a perspective view of the multi-media device stand showing our new design;
FIG. 2 is a top view of the multi-media device stand;
FIG. 3 is a front view of the multi-media device stand;
FIG. 4 is a right-side view of the multi-media device stand;
FIG. 5 is a rear view of the multi-media device stand;
FIG. 6 is a bottom view of the multi-media device stand; and,
FIG. 7 is a left-side view of the multi-media device stand.

1 Claim, 3 Drawing Sheets

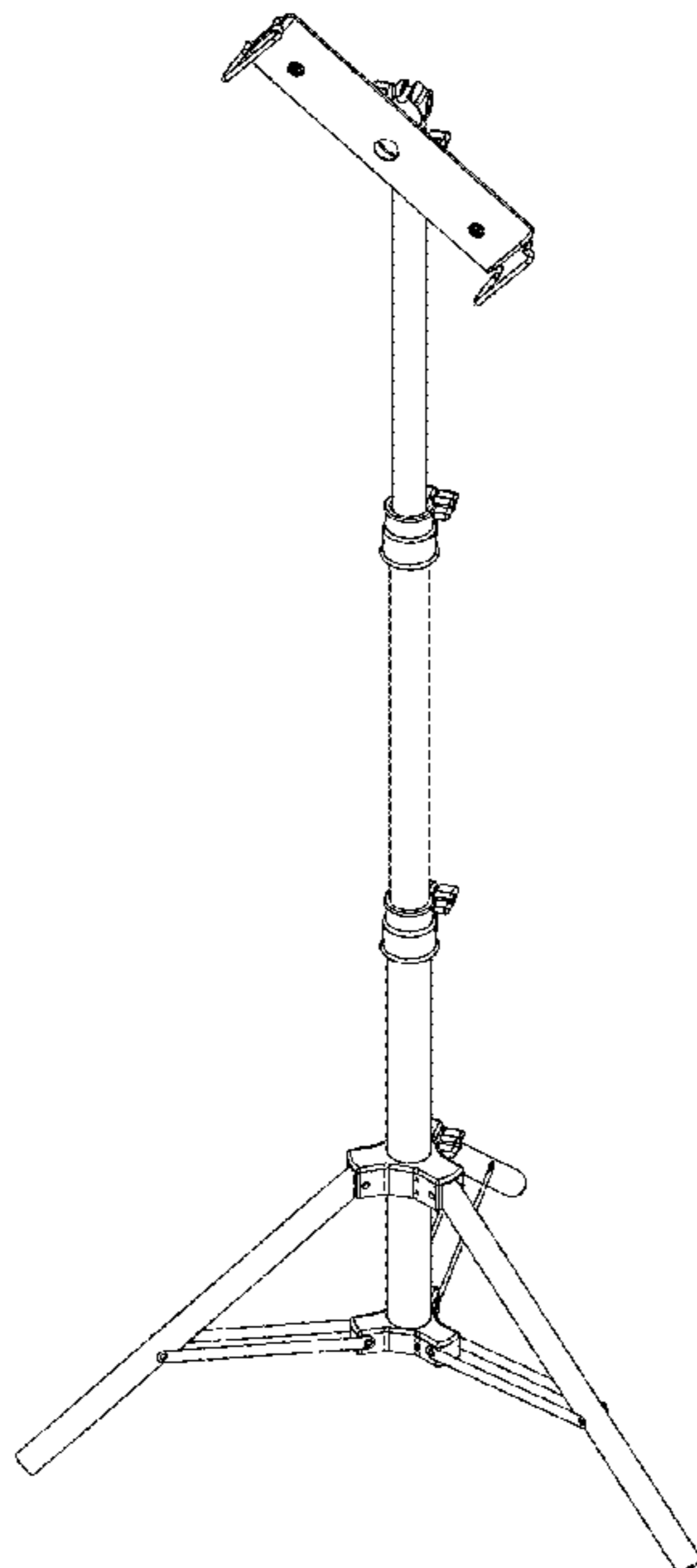
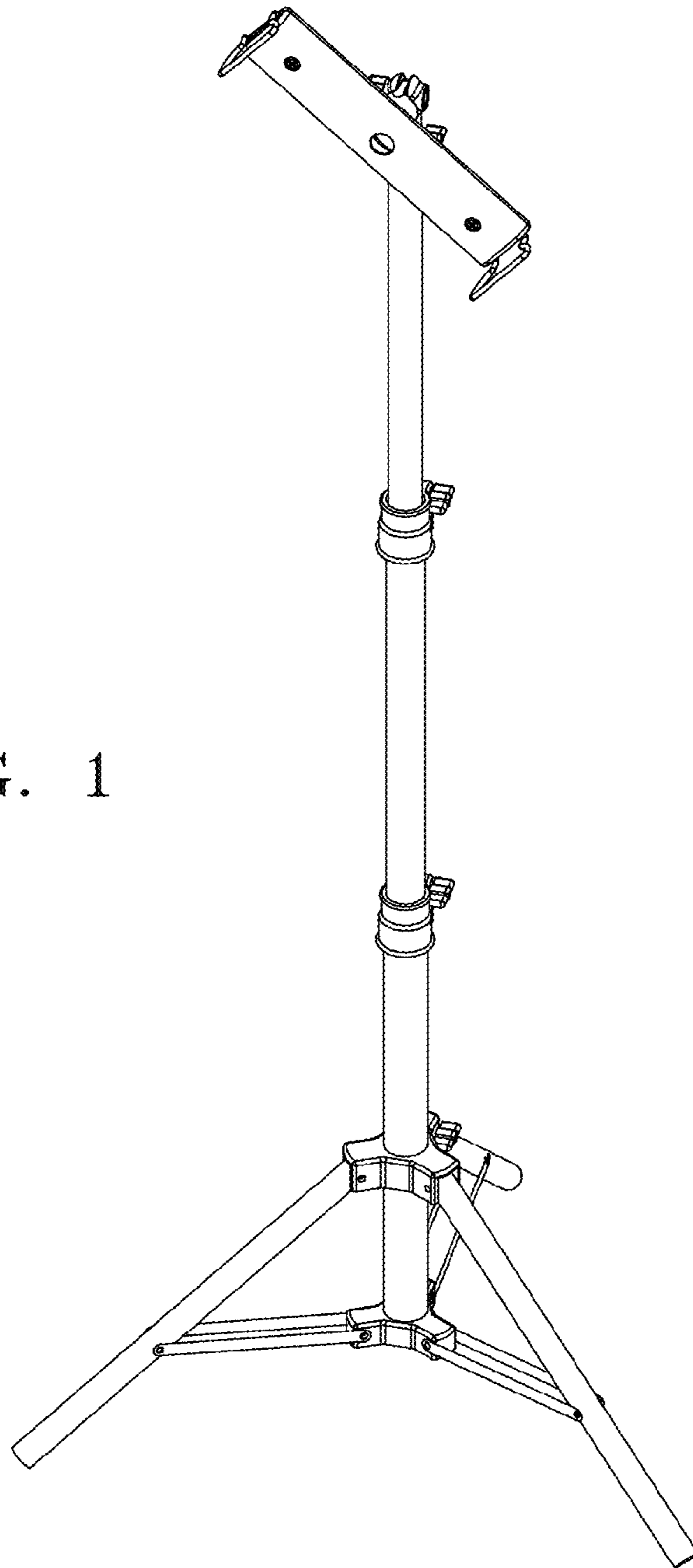


FIG. 1



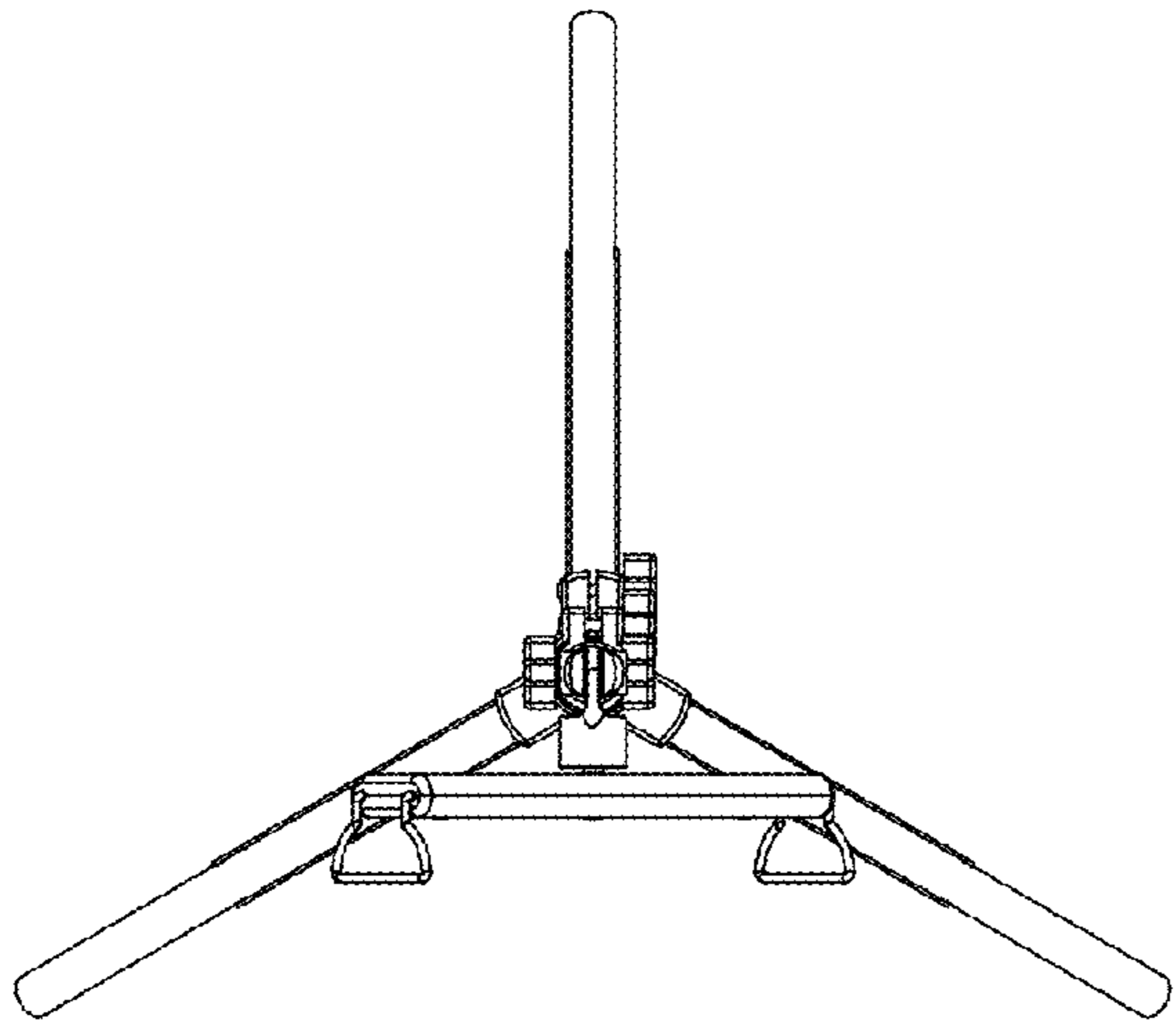


FIG. 2

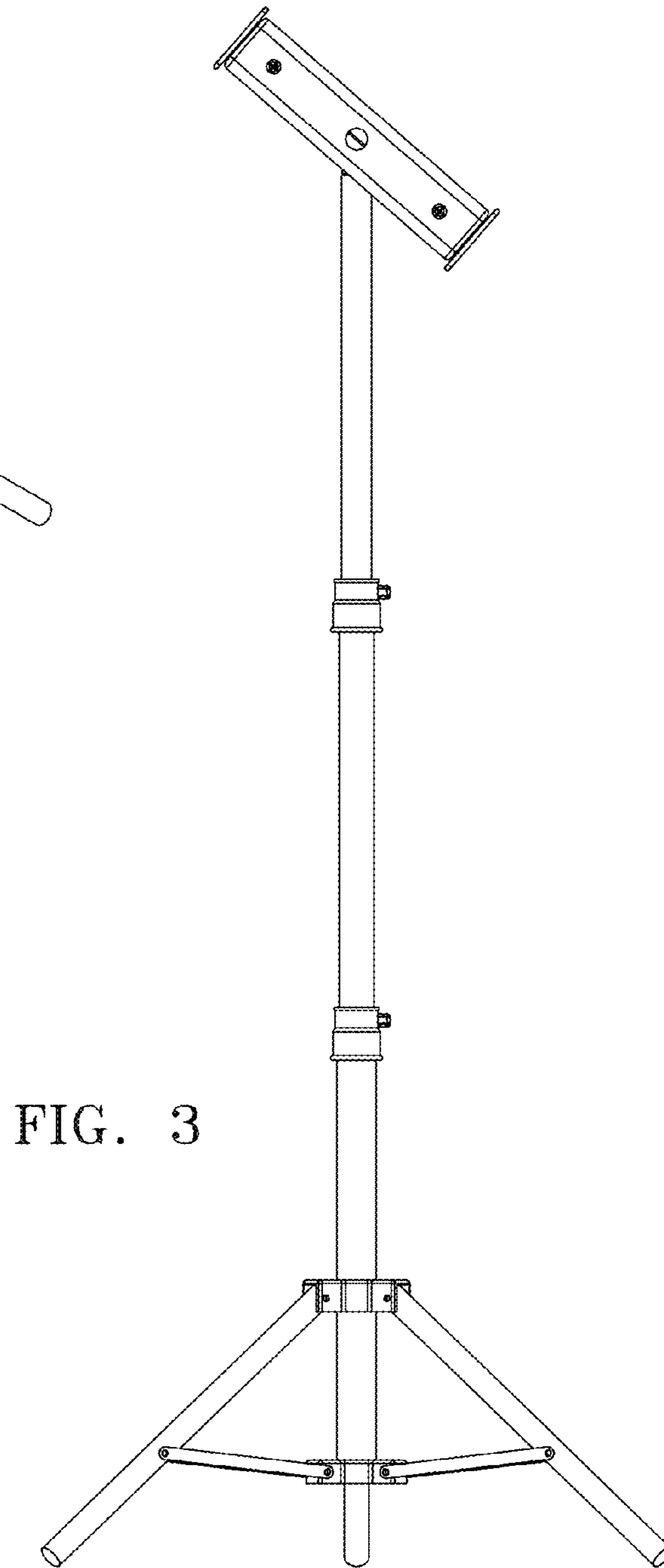


FIG. 3

FIG. 4

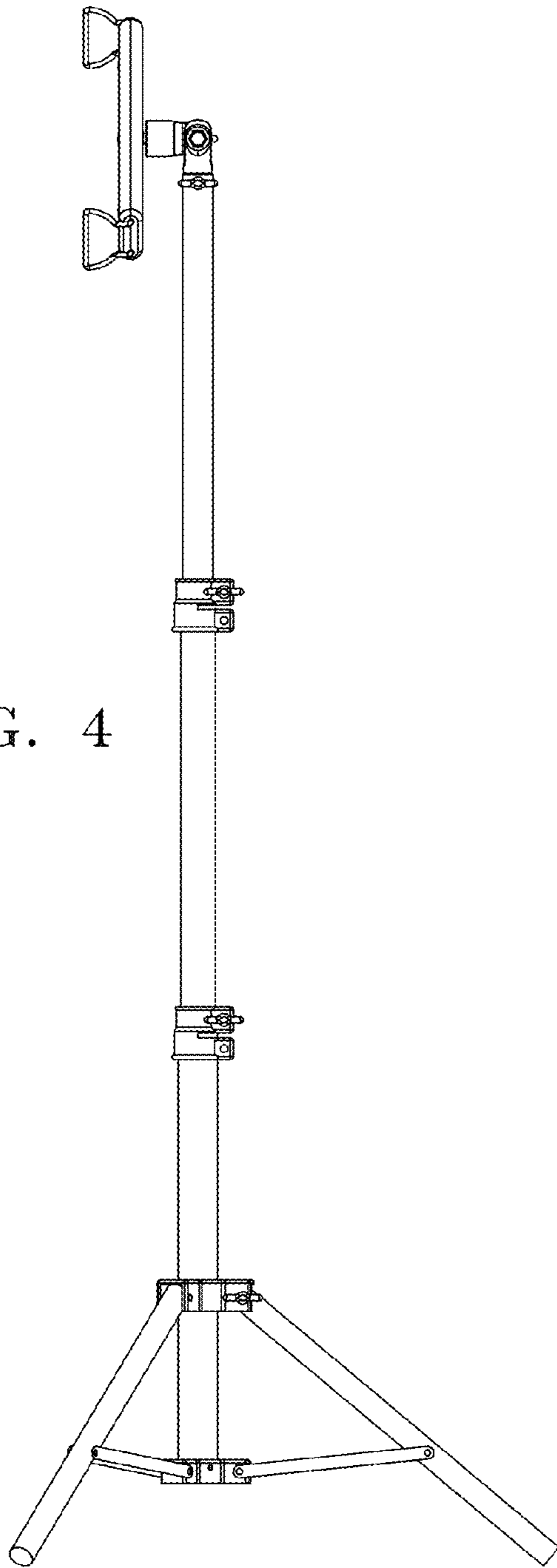


FIG. 5

