



US00D723310S

(12) **United States Design Patent**  
**Goodman et al.**

(10) **Patent No.:** **US D723,310 S**  
(45) **Date of Patent:** **\*\* Mar. 3, 2015**

(54) **CORNER SHELF**

(71) Applicant: **Spectrum Diversified Designs, Inc.**,  
Streetsboro, OH (US)

(72) Inventors: **Sheldon H. Goodman**, Solon, OH (US);  
**Phaysouk Xayoiphonh**, Akron, OH  
(US)

(73) Assignee: **Spectrum Diversified Designs, Inc.**,  
Streetsboro, OH (US)

(\*\*) Term: **14 Years**

(21) Appl. No.: **29/507,603**

(22) Filed: **Oct. 29, 2014**

(51) **LOC (10) Cl.** ..... **06-06**

(52) **U.S. Cl.**  
USPC ..... **D6/676.5**

(58) **Field of Classification Search**  
USPC ..... D6/334–335, 349, 396–397, 449,  
D6/455–456, 462, 475, 477, 509–511, 672,  
D6/675.5, 676.5, 705; 108/50.11, 59,  
108/91–93; 211/13.1, 37–38, 85.3, 85.4,  
211/30, 34, 42, 49.1, 90.03, 106, 181.1;  
248/441.1, 465.1, 175, 124.1, 448  
See application file for complete search history.

(56) **References Cited**

**U.S. PATENT DOCUMENTS**

D352,409 S \* 11/1994 Hosoe ..... D6/482  
D379,412 S \* 5/1997 Hampshire ..... D6/574

D540,072 S \* 4/2007 Steinman ..... D6/487  
D572,940 S \* 7/2008 Murray ..... D6/462  
D620,293 S \* 7/2010 Guindi ..... D6/562  
D635,809 S \* 4/2011 O'Brien et al. .... D6/562  
D654,745 S \* 2/2012 Chuang ..... D6/562  
D690,967 S \* 10/2013 Goodman et al. .... D6/676.5  
D709,717 S \* 7/2014 Hsu ..... D6/678.1  
D716,083 S \* 10/2014 Hsu et al. .... D6/678.4

\* cited by examiner

*Primary Examiner* — Kelley Donnelly

(74) *Attorney, Agent, or Firm* — Benesch Friedlander  
Coplan & Aronoff LLP

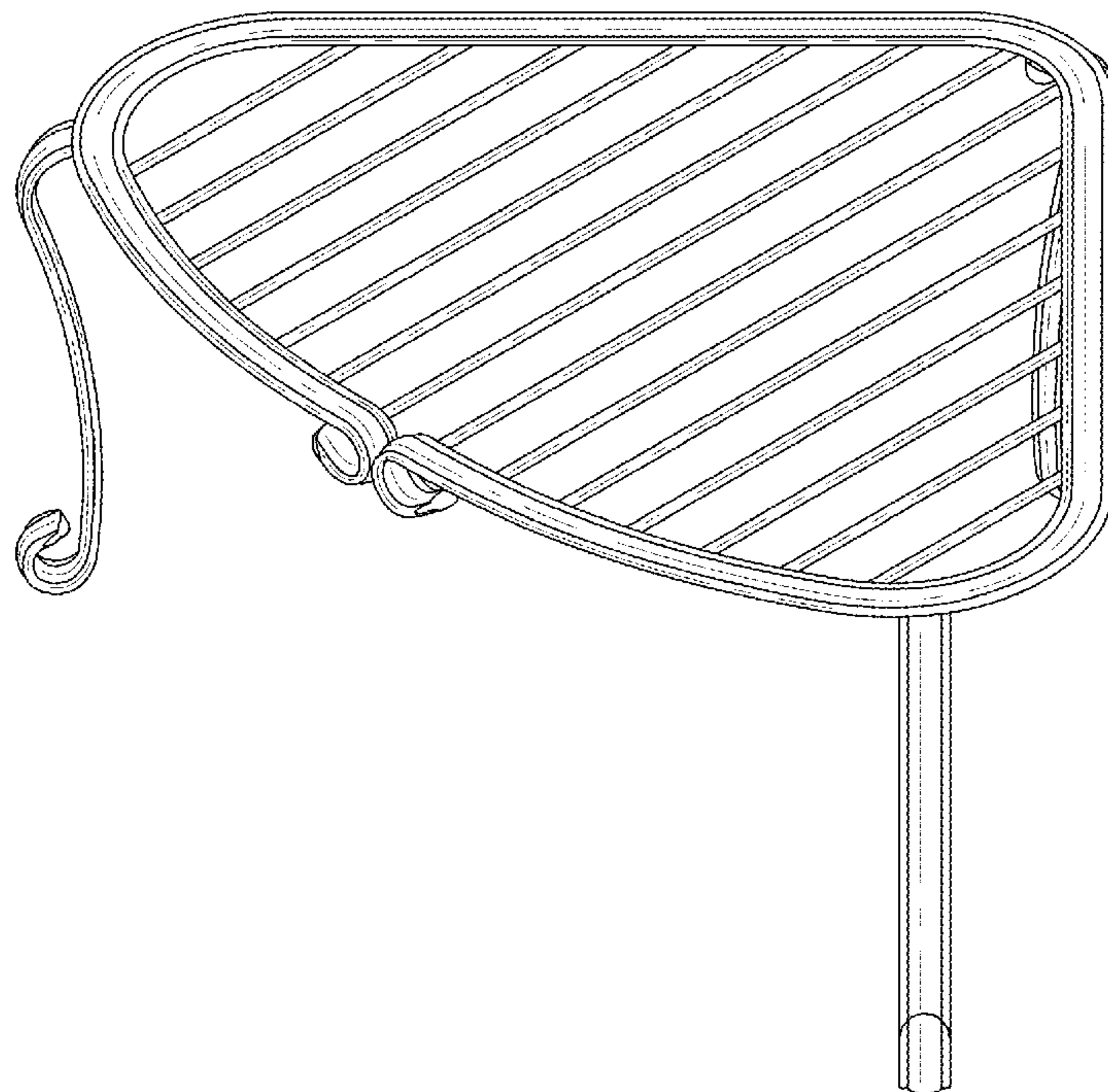
(57) **CLAIM**

What is claimed is the ornamental design for a corner shelf, as  
shown and described.

**DESCRIPTION**

FIG. 1 is a perspective view of a corner shelf showing a new  
design;  
FIG. 2 is a front view of the corner shelf of FIG. 1;  
FIG. 3 is a right side view of the corner shelf of FIG. 1;  
FIG. 4 is a cross-sectional view taken along line 4-4 of FIG. 3;  
FIG. 5 is a top view of the corner shelf of FIG. 1;  
FIG. 6 is a bottom view of the corner shelf of FIG. 1;  
FIG. 7 is a perspective view of another embodiment of the  
corner shelf of FIG. 1; and,  
FIG. 8 is a cross-sectional view taken along line 8-8 of FIG. 7.  
The components of the display shown in broken lines illus-  
trate portions of the corner shelf form no part of the claimed  
design.

**1 Claim, 4 Drawing Sheets**



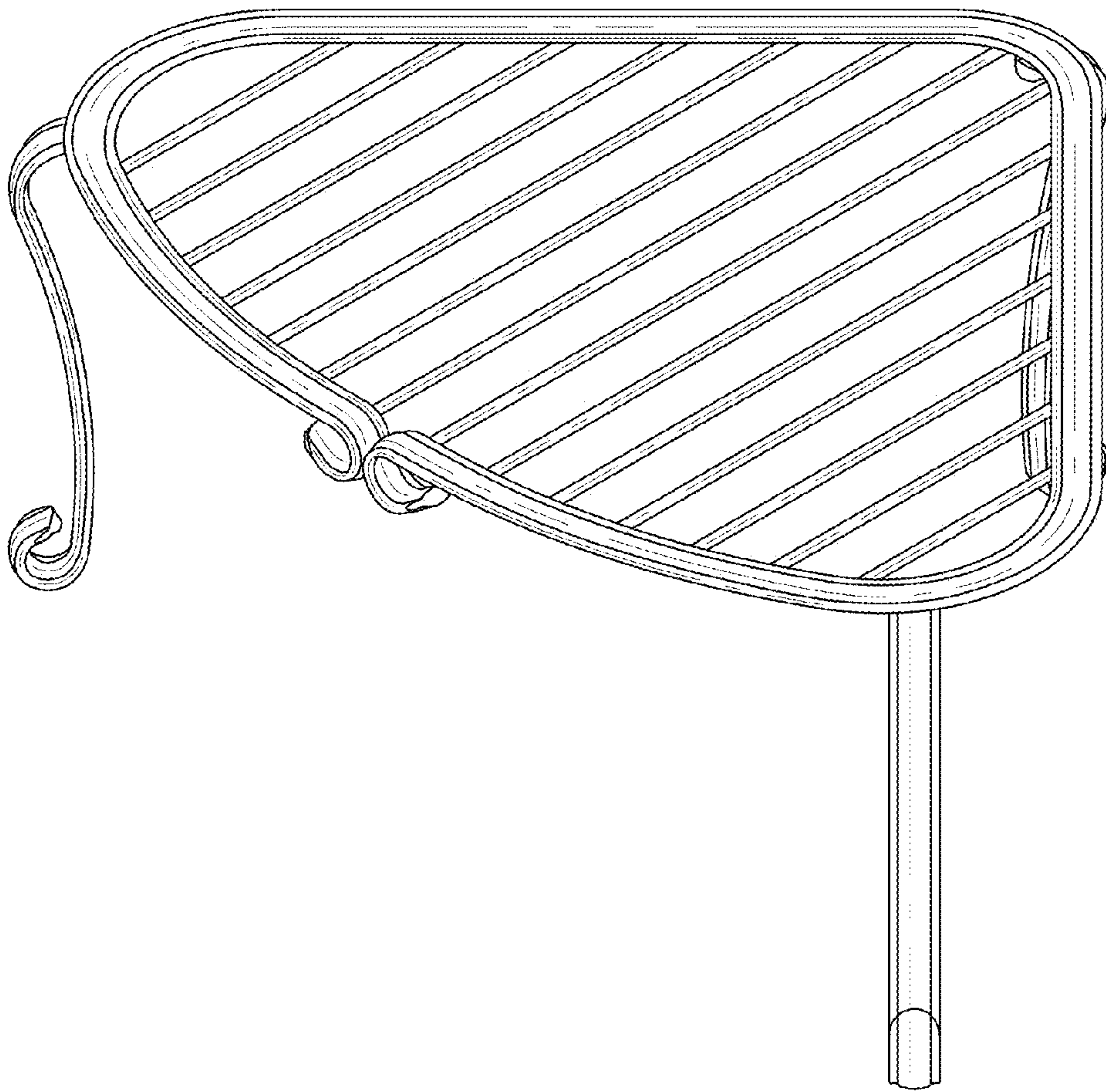


FIG. 1

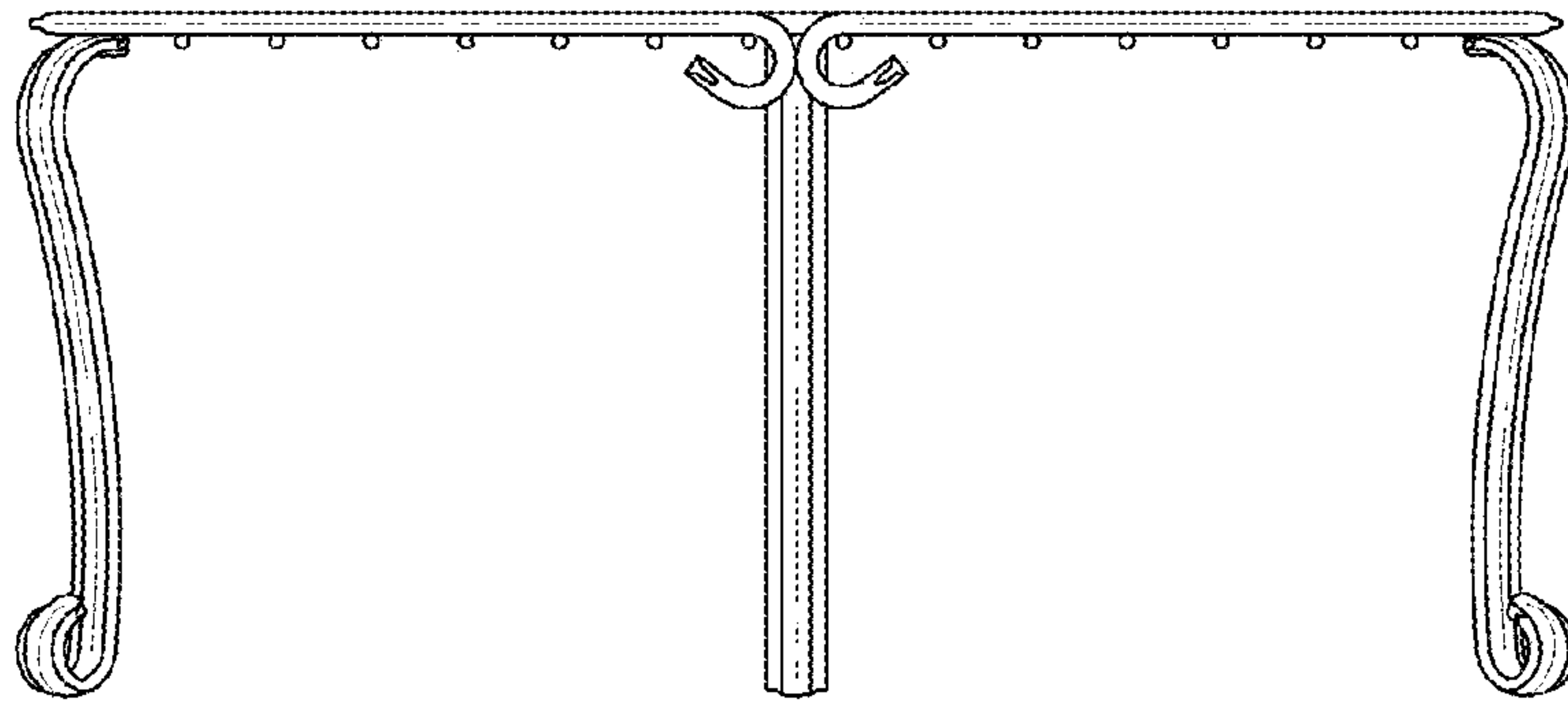


FIG. 2

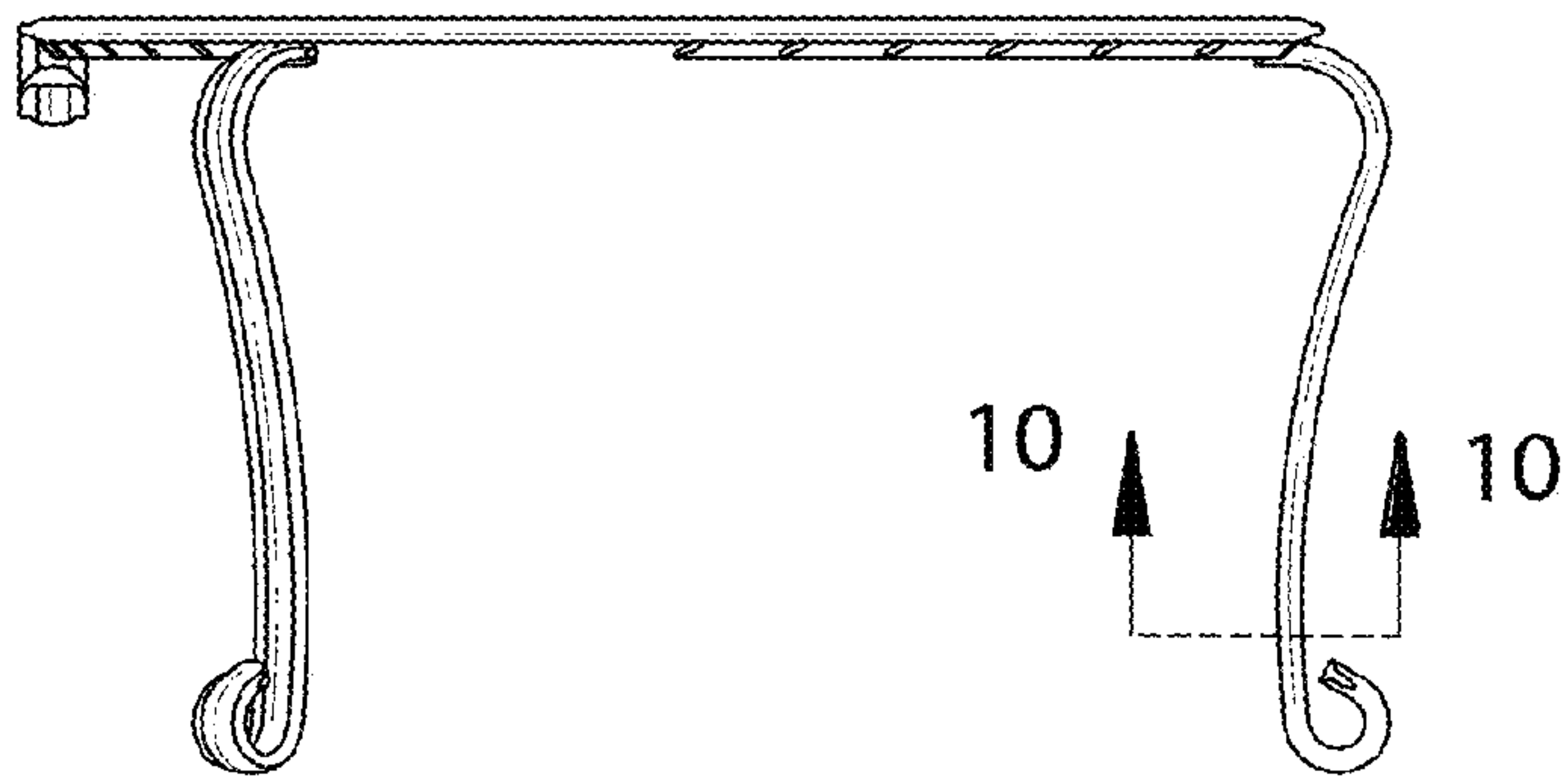


FIG. 3



FIG. 4



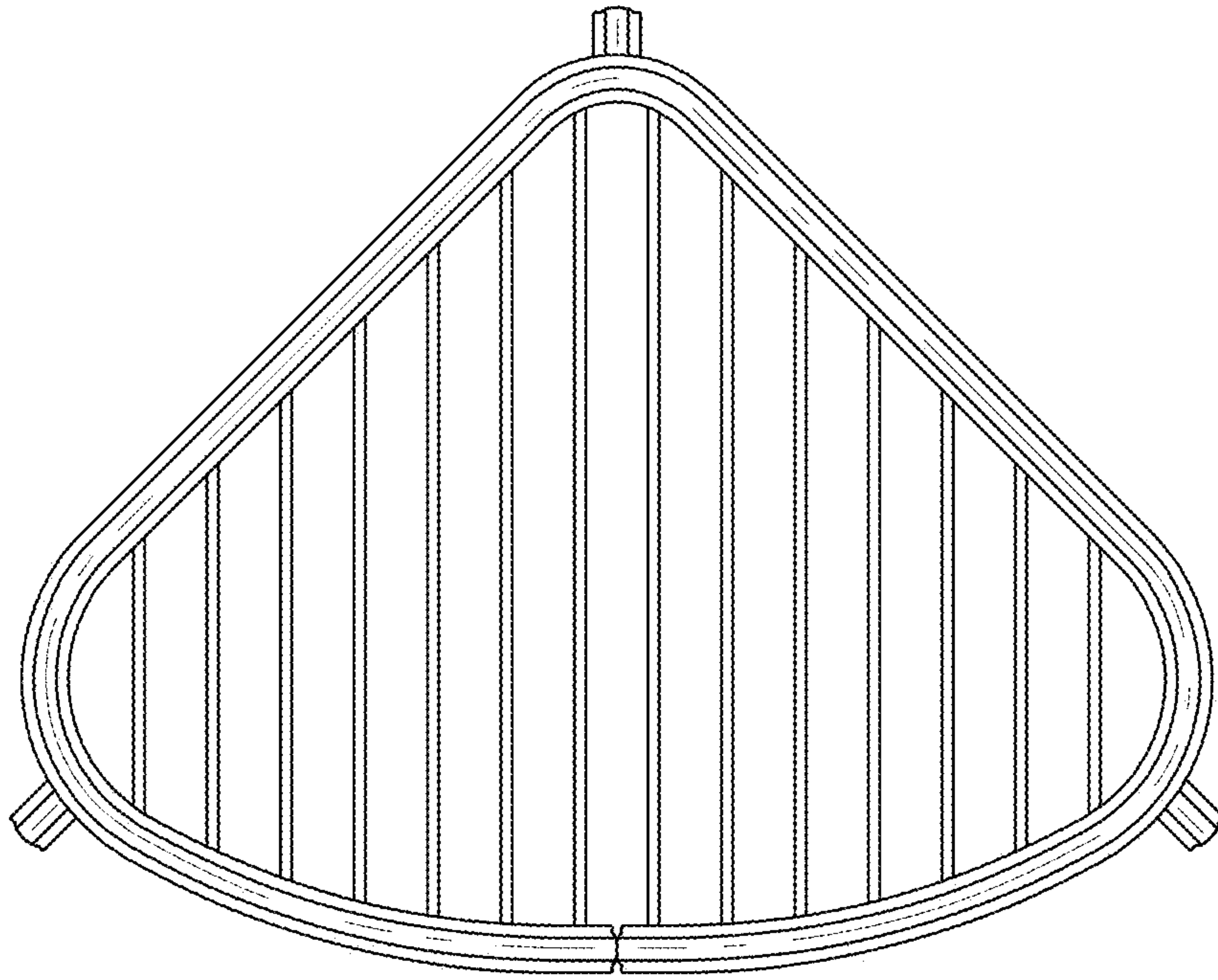


FIG. 5

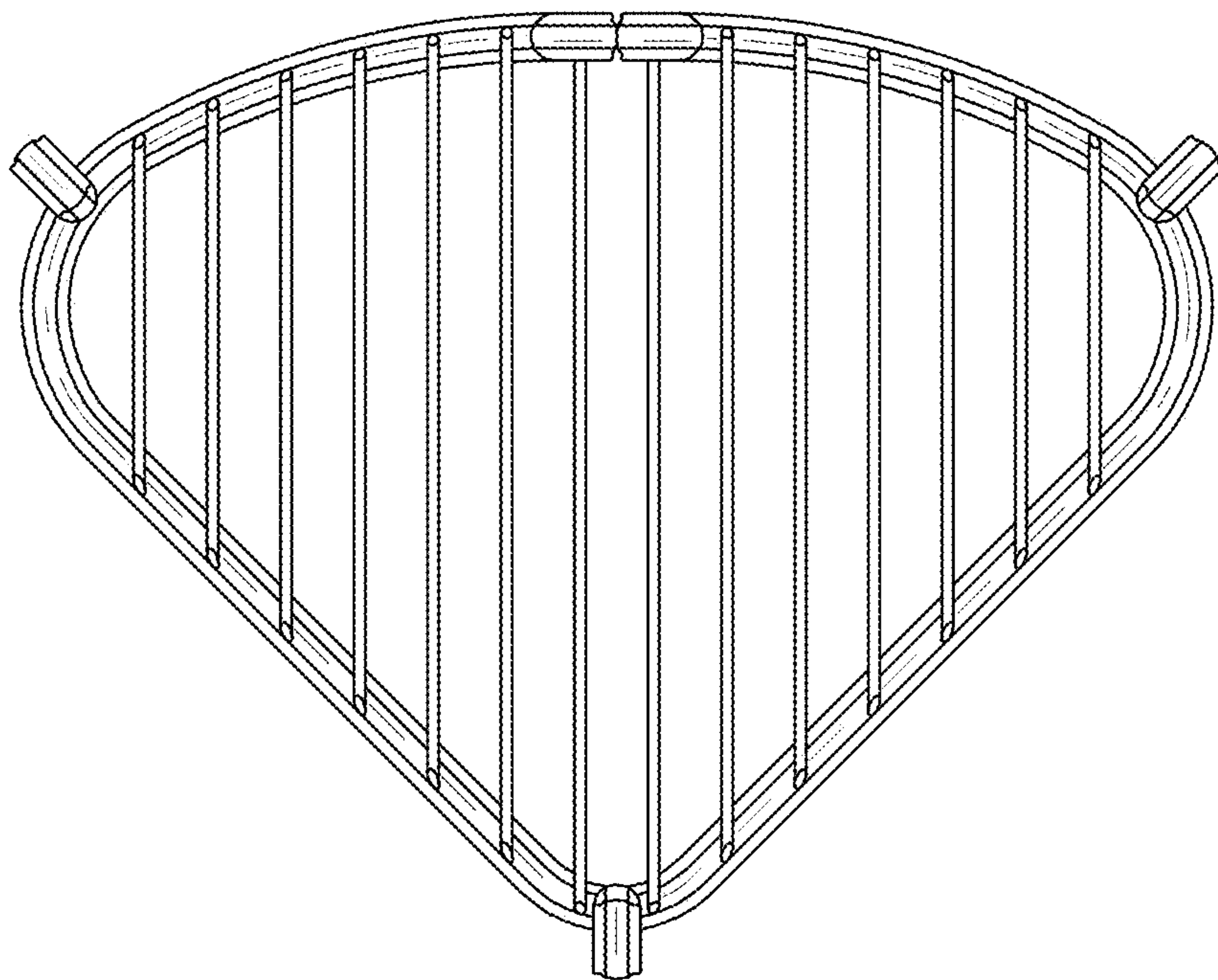


FIG. 6

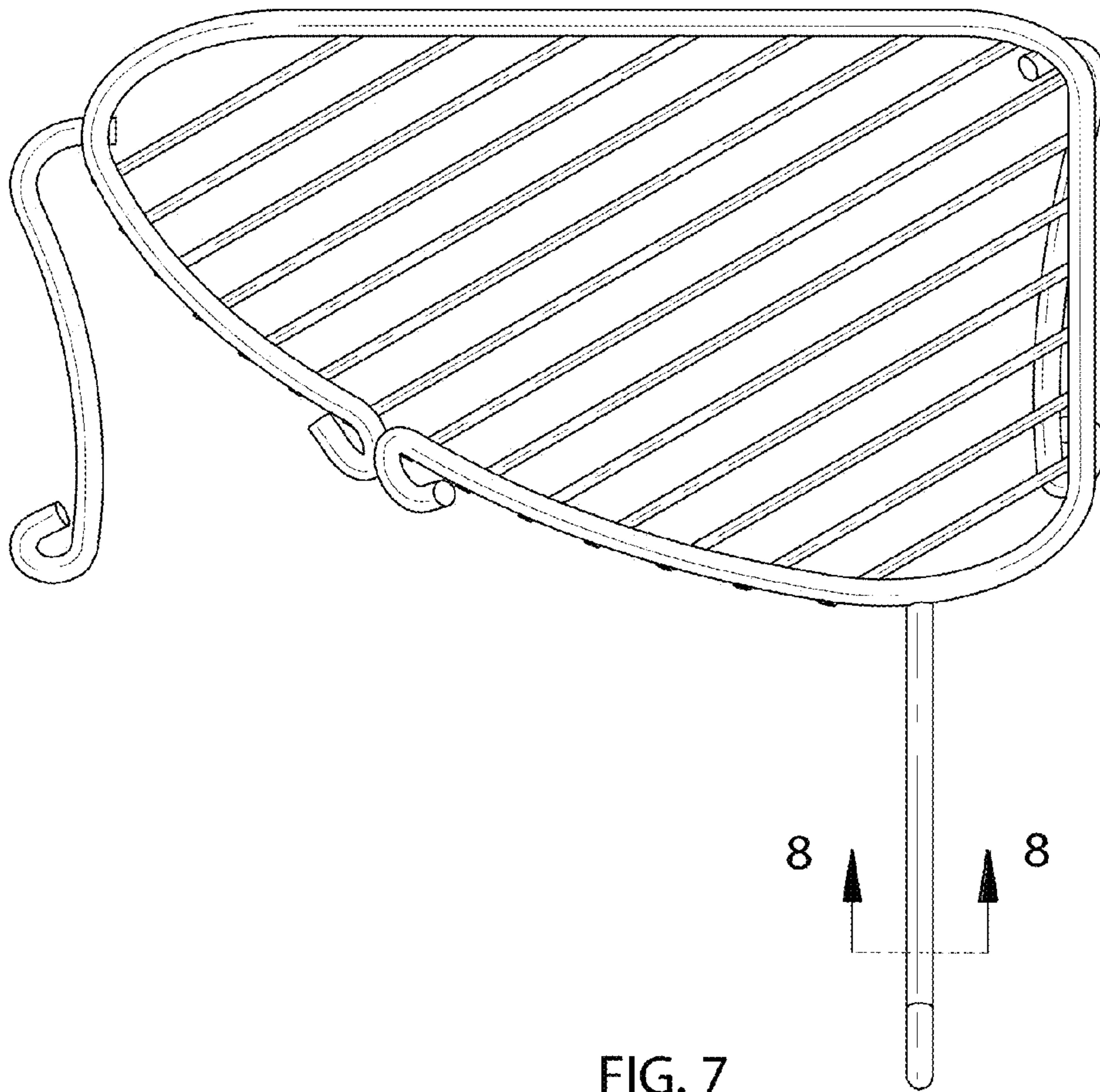


FIG. 7

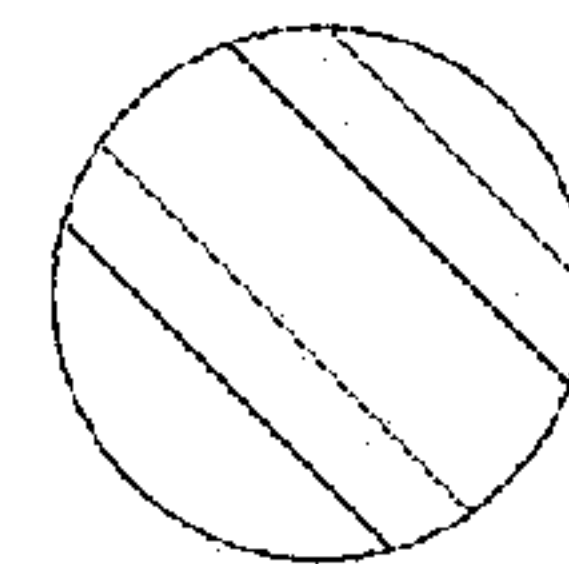


FIG. 8