



US00D723309S

(12) **United States Design Patent**  
**Goodman et al.**

(10) **Patent No.:** **US D723,309 S**  
(45) **Date of Patent:** **\*\* Mar. 3, 2015**

- (54) **CABINET SHELF**
- (71) Applicant: **Spectrum Diversified Designs, Inc.**,  
Streetsboro, OH (US)
- (72) Inventors: **Sheldon H. Goodman**, Solon, OH (US);  
**Phaysouk Xayoiphonh**, Akron, OH  
(US)
- (73) Assignee: **Spectrum Diversified Designs, Inc.**,  
Streetsboro, OH (US)

D502,035 S *	2/2005	Lara .....	D6/574
D511,916 S *	11/2005	Shapiro .....	D6/511
D548,494 S *	8/2007	Mercs .....	D6/485
D551,884 S *	10/2007	Remmers .....	D6/511
D579,237 S *	10/2008	Gusdorf .....	D6/462
D587,492 S *	3/2009	Gusdorf .....	D6/462
D654,292 S *	2/2012	Snider .....	D6/510
D663,545 S *	7/2012	Hundley .....	D6/396
D664,794 S *	8/2012	Leveto .....	D6/511
D679,924 S *	4/2013	Klein et al. ....	D6/566
D690,966 S *	10/2013	Goodman et al. ....	D6/675.5
D710,633 S *	8/2014	Mudrick .....	D6/675.5
D719,383 S *	12/2014	Goodman et al. ....	D6/675.5

(\*\*) Term: **14 Years**

(21) Appl. No.: **29/507,604**

(22) Filed: **Oct. 29, 2014**

(51) **LOC (10) Cl.** ..... **06-06**

(52) **U.S. Cl.**  
USPC ..... **D6/675.5**

(58) **Field of Classification Search**  
USPC ..... D6/334-335, 349, 396-397, 449,  
D6/455-456, 462, 475, 477, 509-511, 672,  
D6/675.5, 705; 108/50.11, 59, 91-93;  
211/13.1, 37-38, 85.3, 85.4, 30, 34,  
211/42, 49.1, 90.03, 106, 181.1; 248/441.1,  
248/465.1, 175, 124.1, 448  
See application file for complete search history.

(56) **References Cited**

**U.S. PATENT DOCUMENTS**

D264,157 S *	5/1982	Karsikas .....	D6/465
D296,284 S *	6/1988	Colby .....	D6/487
D338,576 S *	8/1993	Livi .....	D6/484
D405,627 S *	2/1999	Salvucci .....	D6/465
D457,752 S *	5/2002	Wood et al. ....	D6/462
D499,922 S *	12/2004	Thomas et al. ....	D6/566

\* cited by examiner

*Primary Examiner* — Kelley Donnelly

(74) *Attorney, Agent, or Firm* — Benesch Friedlander  
Coplan & Aronoff LLP

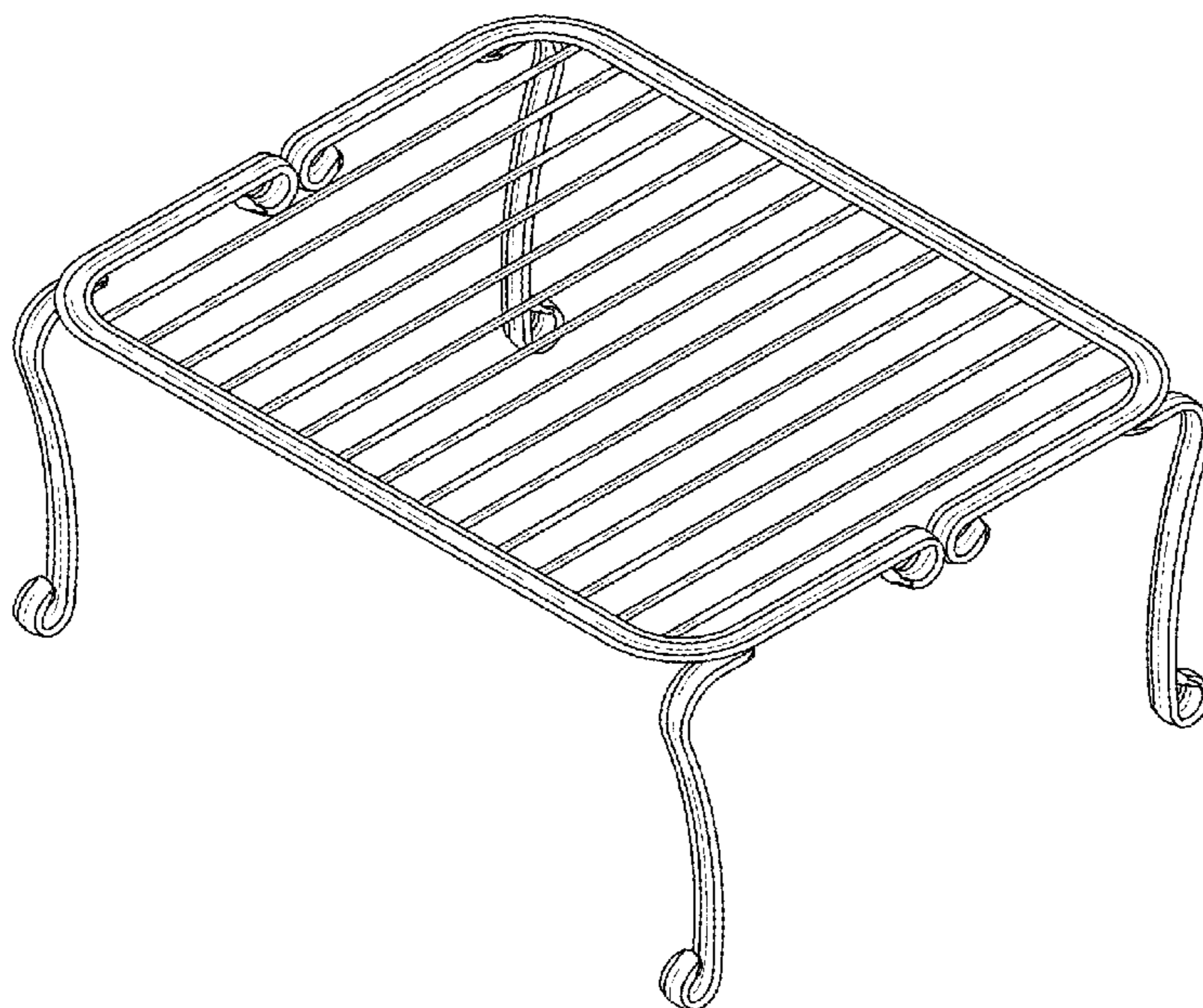
(57) **CLAIM**

What is claimed is the ornamental design for a cabinet shelf,  
as shown and described.

**DESCRIPTION**

FIG. 1 is a perspective view of a cabinet shelf showing a new design;  
FIG. 2 is a front view of the cabinet shelf of FIG. 1;  
FIG. 3 is a right side view of the cabinet shelf of FIG. 1;  
FIG. 4 is a cross-sectional view taken along line 4-4 of FIG. 3;  
FIG. 5 is a top view of the cabinet shelf of FIG. 1;  
FIG. 6 is a bottom view of the cabinet shelf of FIG. 1;  
FIG. 7 is a perspective view of another embodiment of the cabinet shelf of FIG. 1; and,  
FIG. 8 is a cross-sectional view taken along line 8-8 of FIG. 7.  
The components of the display shown in broken lines illustrate portions of the cabinet shelf form no part of the claimed design.

**1 Claim, 4 Drawing Sheets**



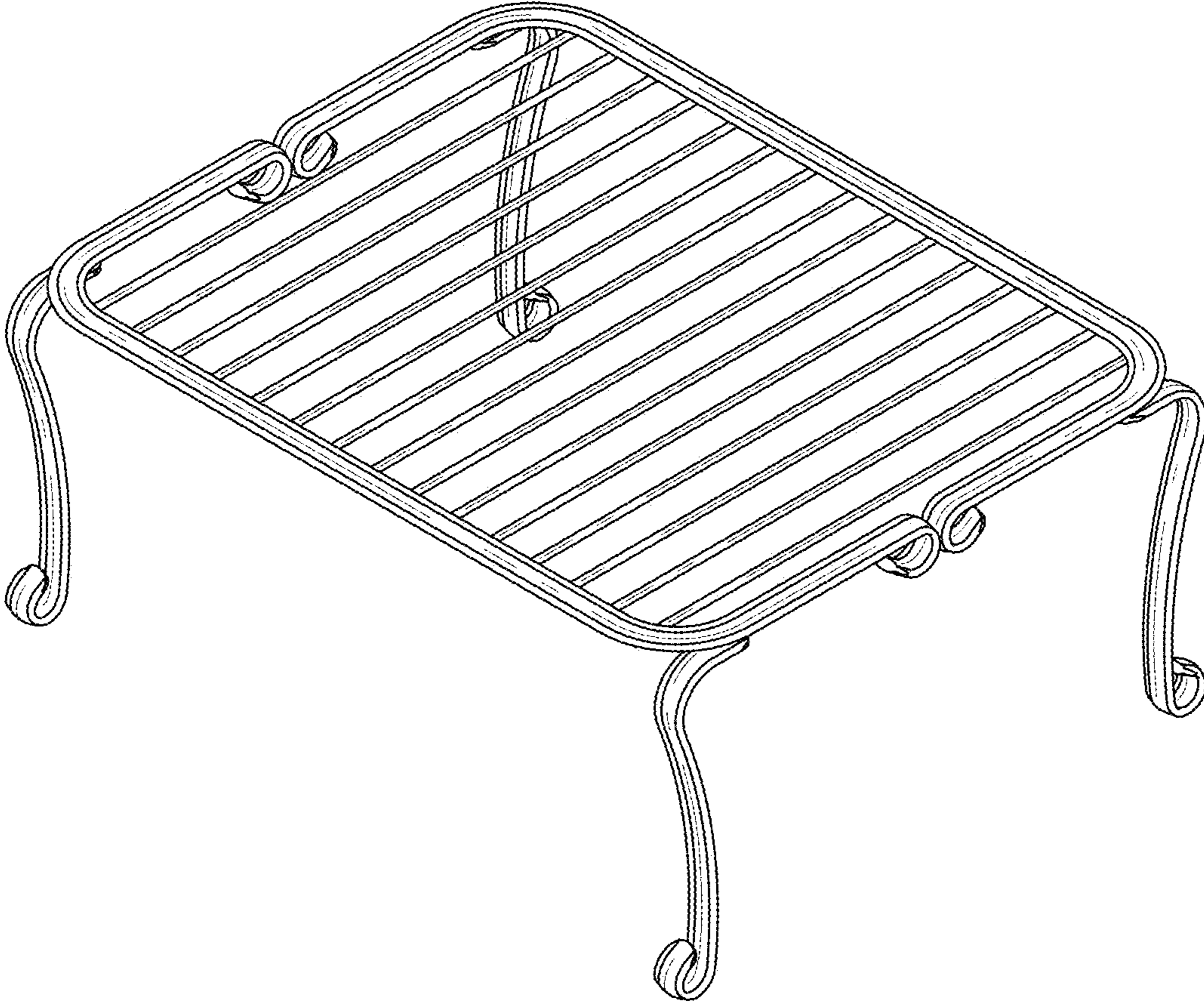


FIG. 1

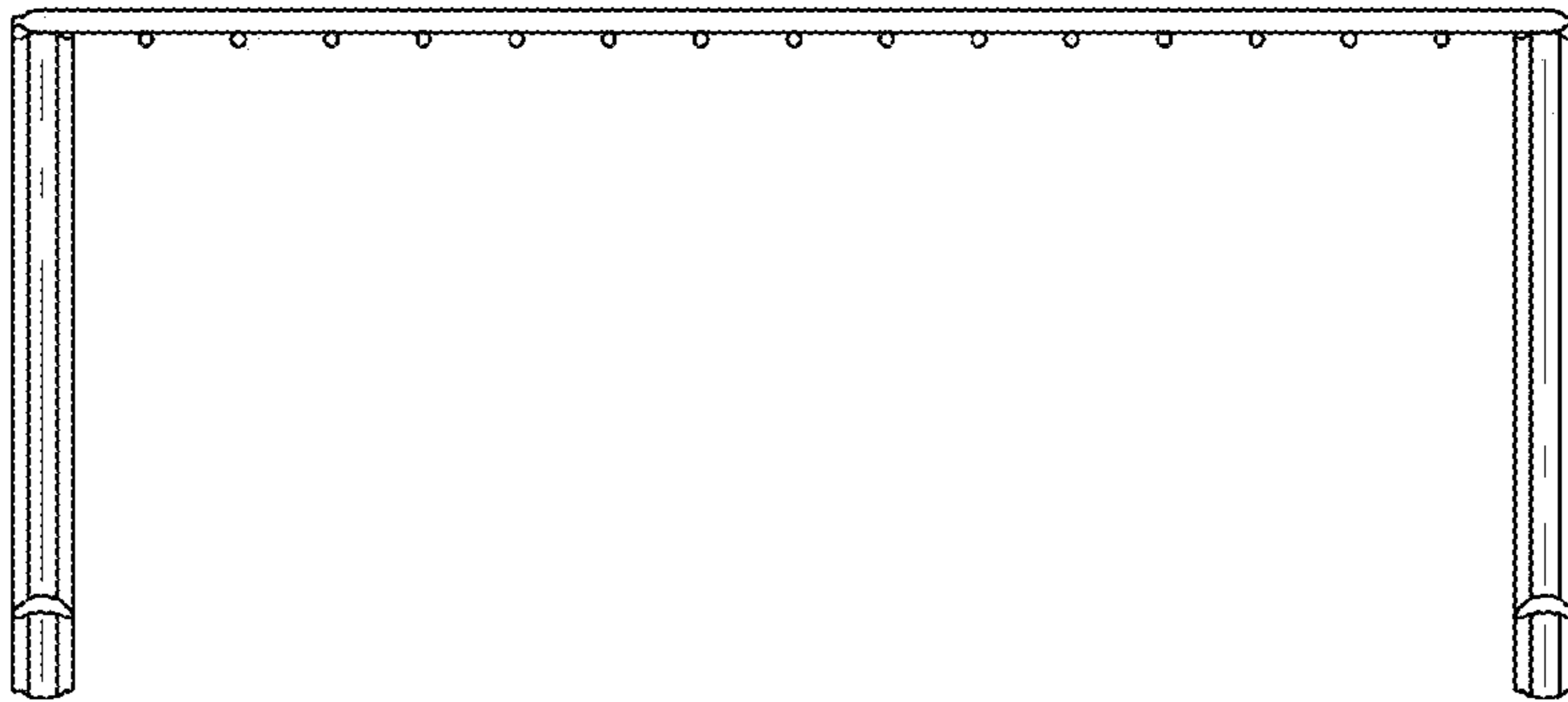


FIG. 2

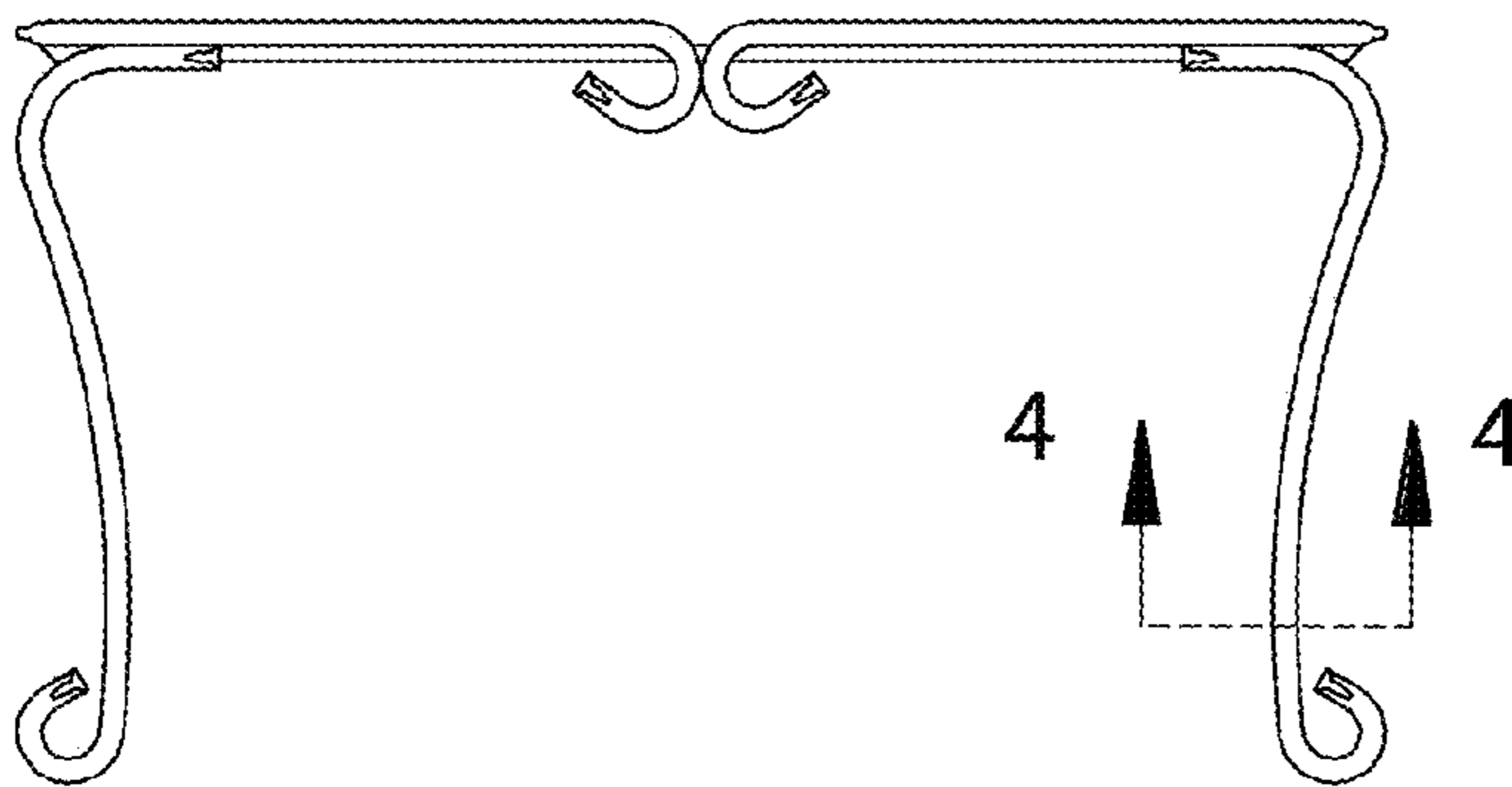


FIG. 3



FIG. 4



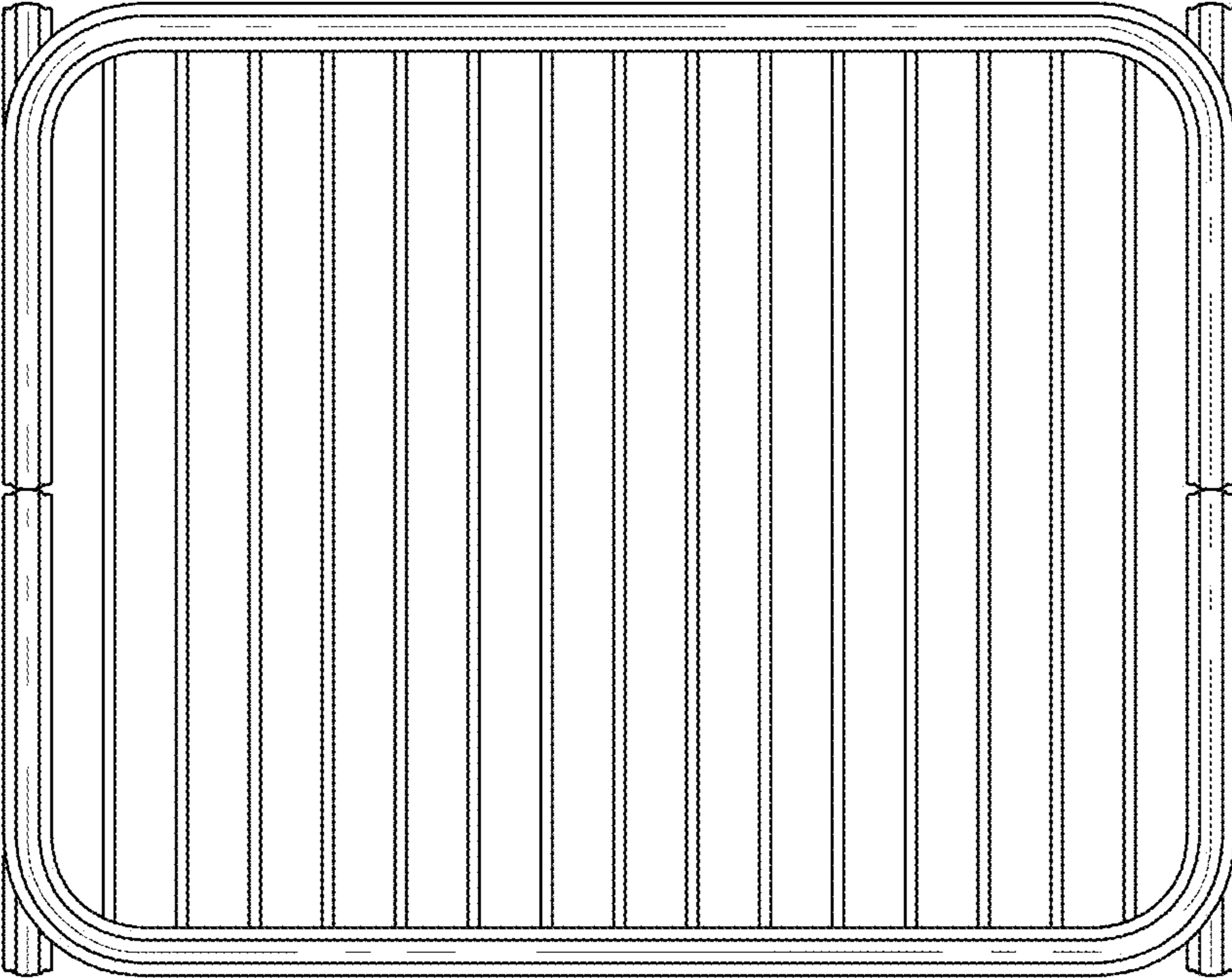


FIG. 5

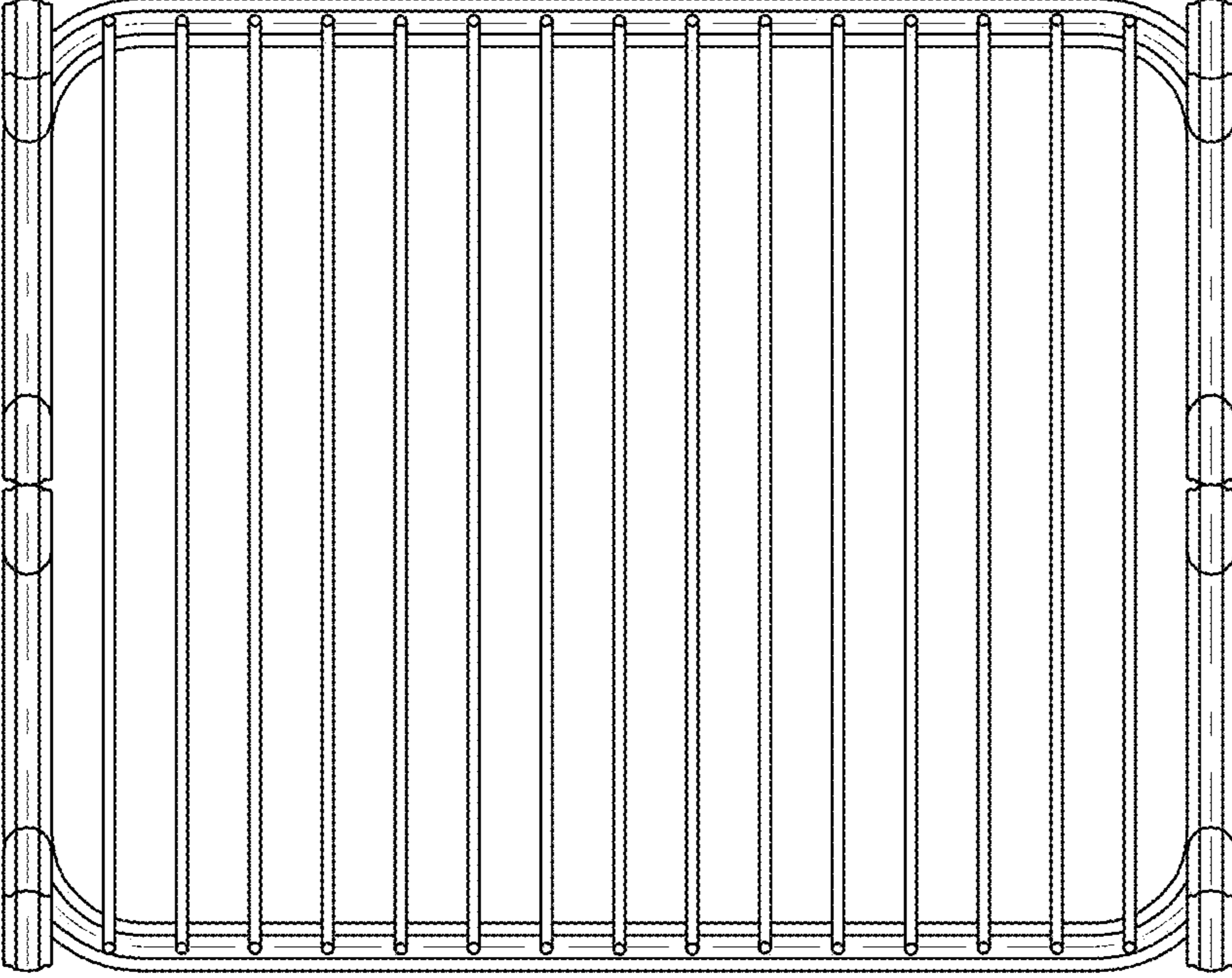


FIG. 6

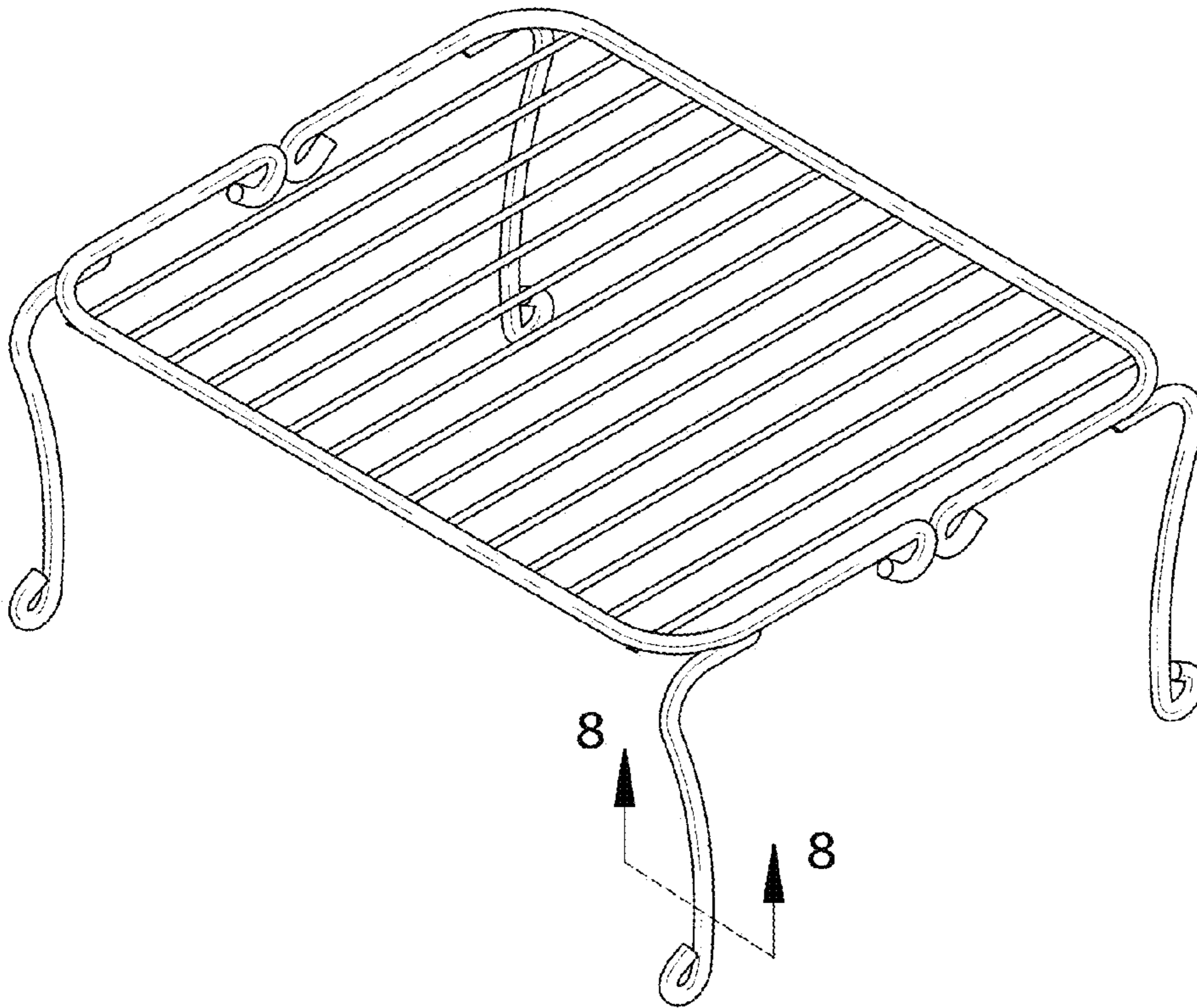


FIG. 7

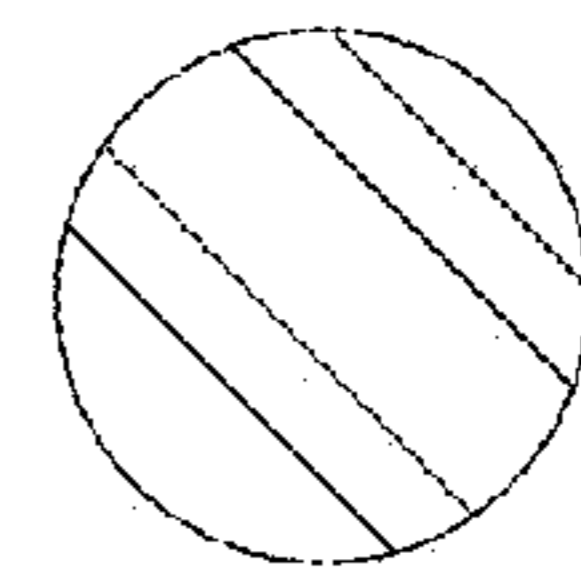


FIG. 8