



US00D723302S

(12) **United States Design Patent**  
**Goodman et al.**

(10) **Patent No.:** **US D723,302 S**  
(45) **Date of Patent:** **\*\* Mar. 3, 2015**

(54) **SINK CADDY**

D563,708 S \* 3/2008 Snell ..... D6/566  
D612,648 S \* 3/2010 Guindi ..... D6/536  
D637,850 S \* 5/2011 Ghiorghie ..... D6/566

(71) Applicant: **Spectrum Diversified Designs, Inc.**,  
Streetsboro, OH (US)

\* cited by examiner

(72) Inventors: **Sheldon H. Goodman**, Solon, OH (US);  
**Phaysouk Xayoiphonh**, Akron, OH  
(US)

*Primary Examiner* — Brian N Vinson  
(74) *Attorney, Agent, or Firm* — Benesch Friedlander  
Coplan & Aronoff LLP

(73) Assignee: **Spectrum Diversified Designs, Inc.**,  
Streetsboro, OH (US)

(57) **CLAIM**  
What is claimed is the ornamental design for a sink caddy, as  
shown and described.

(\*\*) Term: **14 Years**

**DESCRIPTION**

(21) Appl. No.: **29/495,547**

(22) Filed: **Jul. 2, 2014**

(51) **LOC (10) Cl.** ..... **06-04**

(52) **U.S. Cl.**  
USPC ..... **D6/566**

(58) **Field of Classification Search**  
USPC ..... D6/524, 525, 566, 536-537, 540, 567;  
211/13.1, 74, 71.01, 86.01, 75, 88.01,  
211/90.01, 90.03, 106, 119, 126.1, 133.5,  
211/181.1, 134; D3/306  
See application file for complete search history.

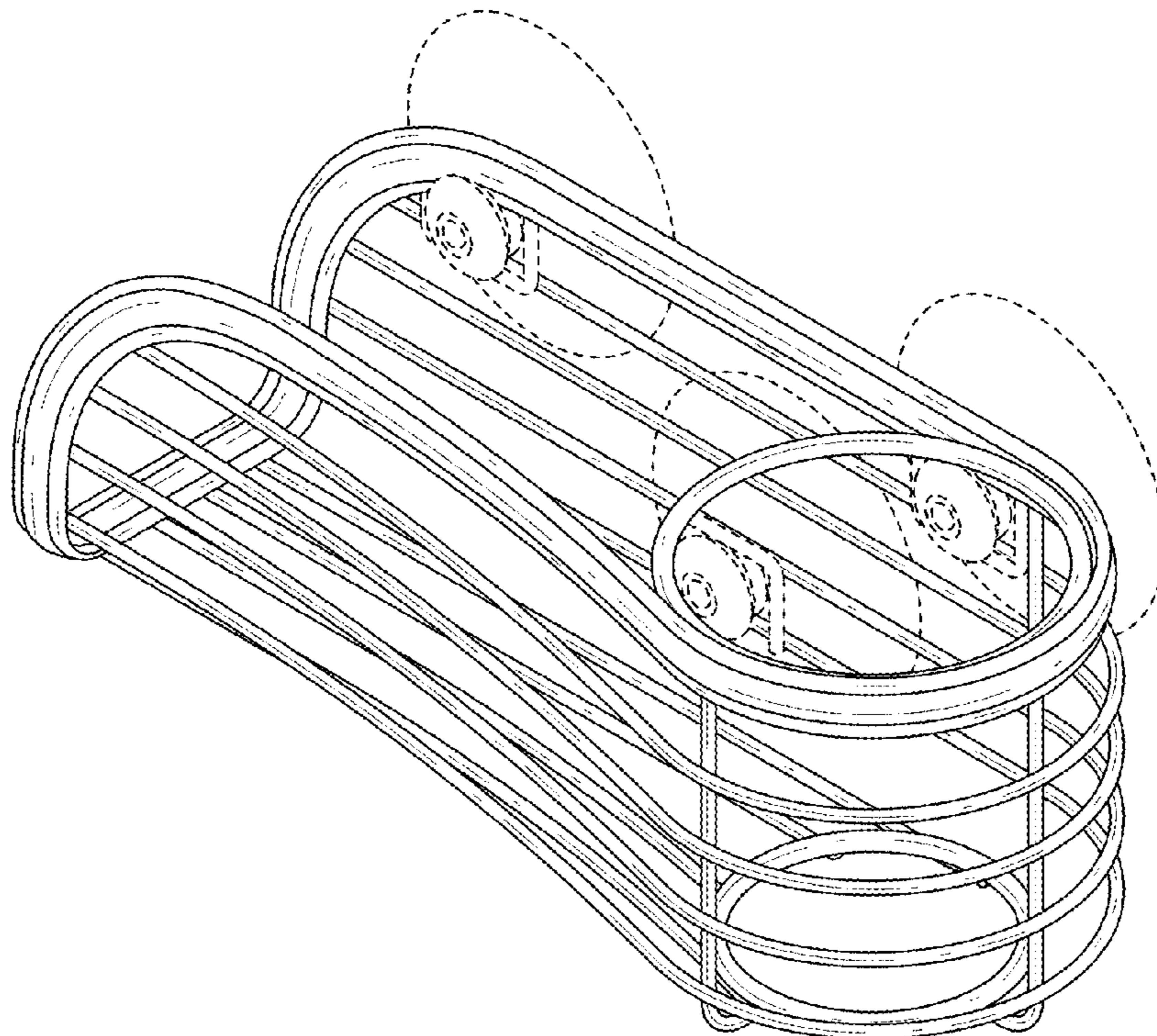
FIG. 1 is a perspective view of a first embodiment of a sink  
caddy showing our new design;  
FIG. 2 is a front elevational view thereof;  
FIG. 3 is a rear elevational view thereof;  
FIG. 4 is an enlarged cross-sectional view thereof, taken  
along line 4-4 of FIG. 3;  
FIG. 5 is a top plan view thereof;  
FIG. 6 is a bottom plan view thereof;  
FIG. 7 is a right side elevational view thereof;  
FIG. 8 is a left side elevational view thereof;  
FIG. 9 is a perspective view of a second embodiment of a sink  
caddy showing our new design; and,  
FIG. 10 is an enlarged cross-sectional view thereof, taken  
along line 10-10 of FIG. 9.  
The broken-line disclosure represents portions of the sink  
caddy which form no part of the claimed design.

(56) **References Cited**

**U.S. PATENT DOCUMENTS**

D479,663 S \* 9/2003 Snell ..... D6/525  
D532,236 S \* 11/2006 Dretzka ..... D6/567

**1 Claim, 4 Drawing Sheets**



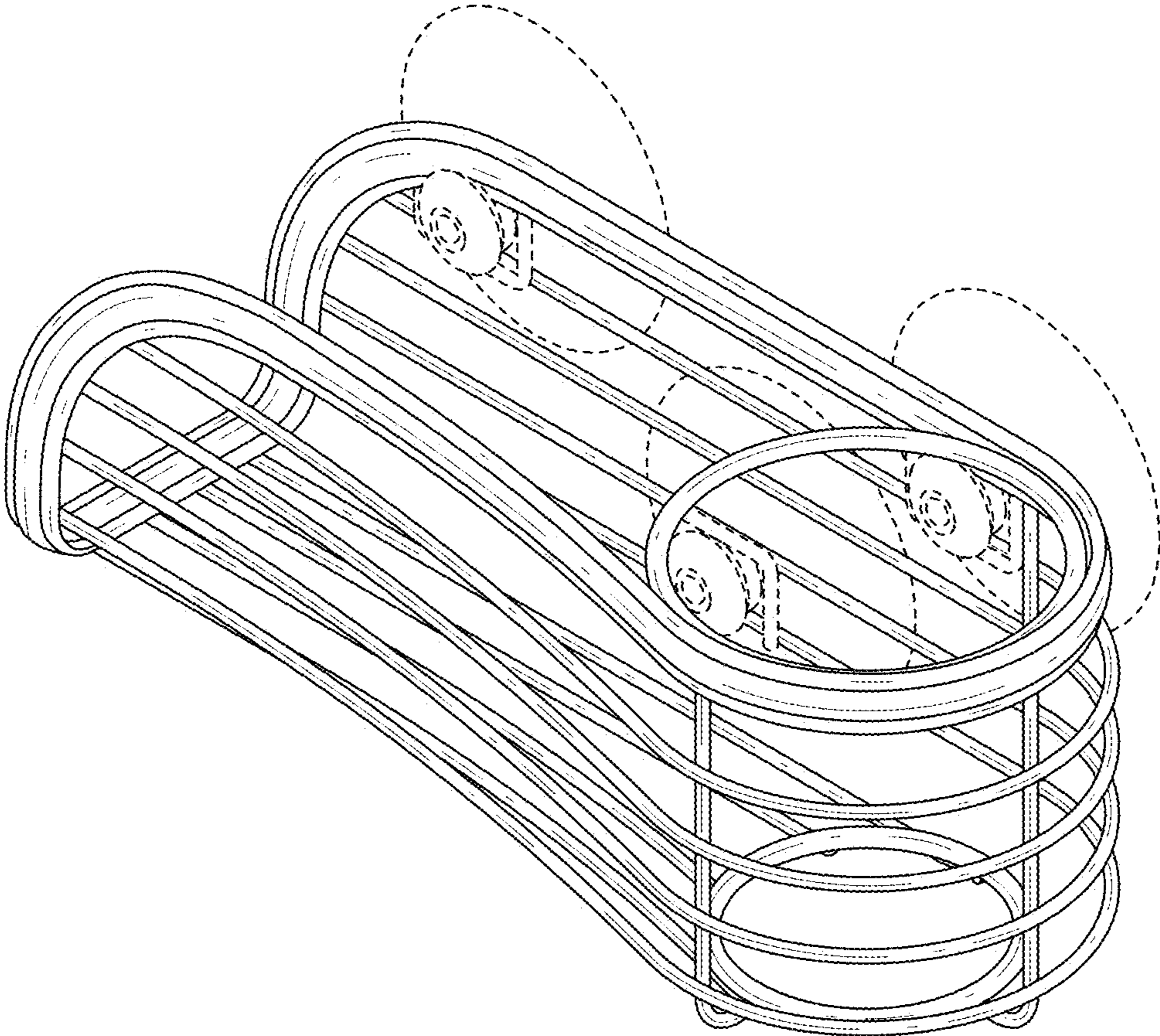


FIG. 1

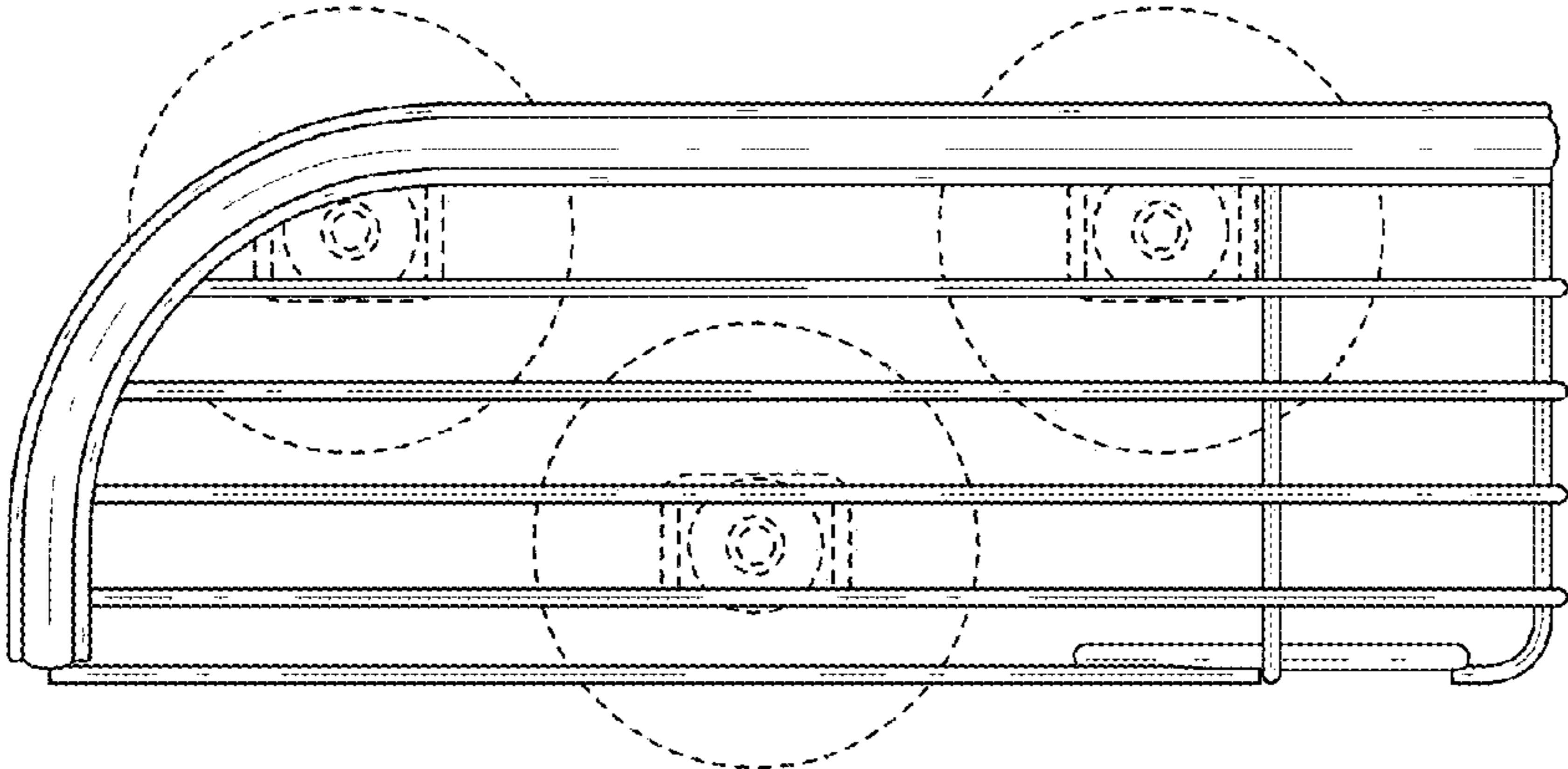


FIG. 2

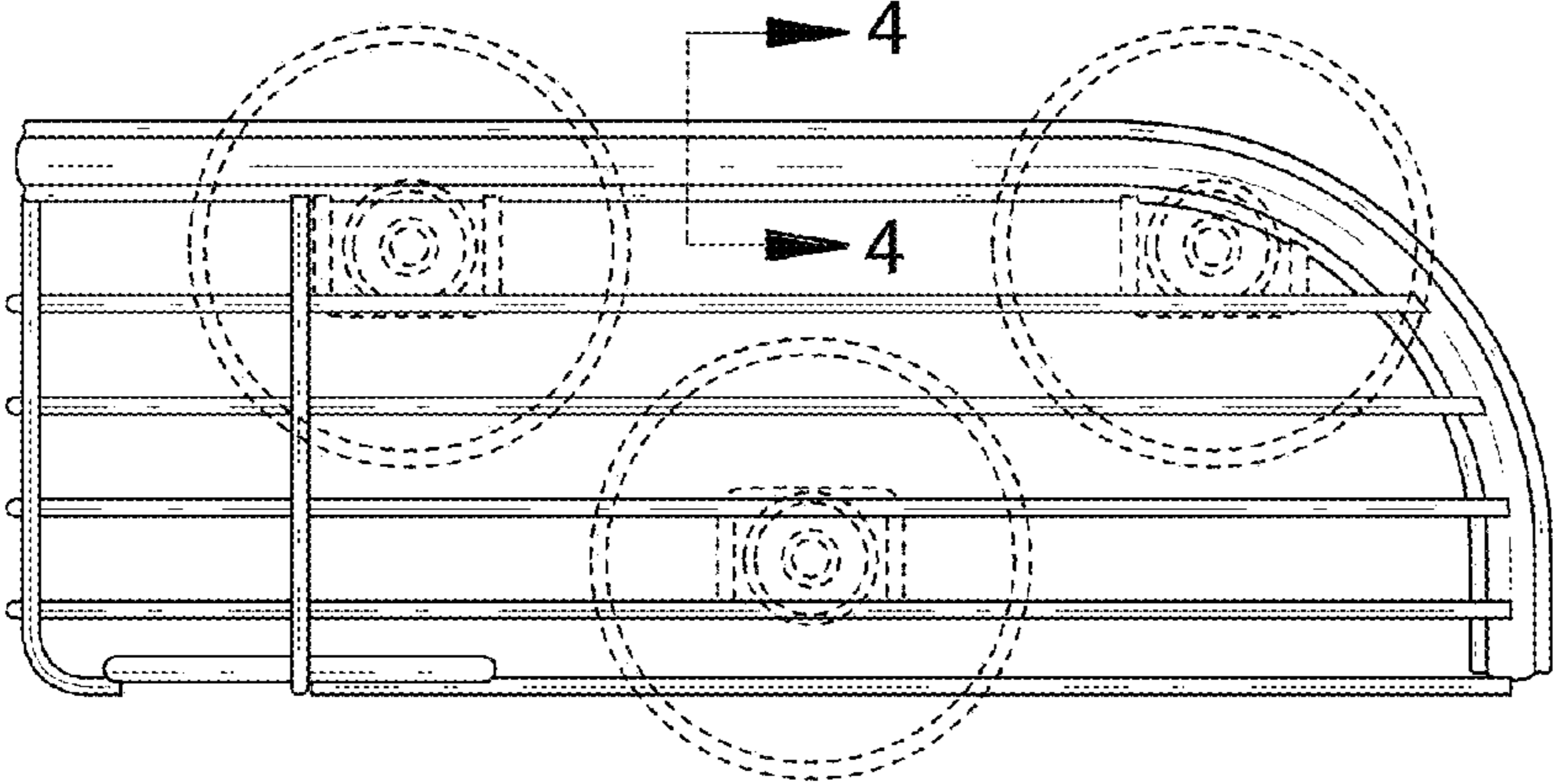


FIG. 3

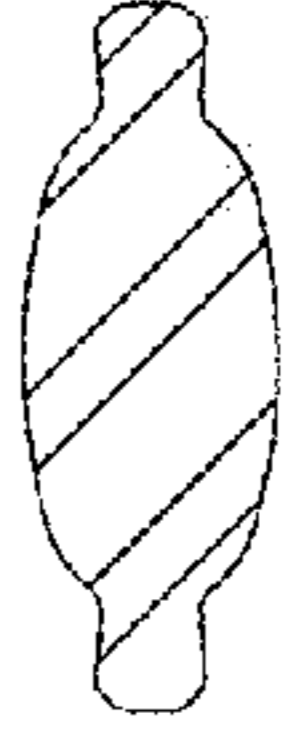


FIG. 4



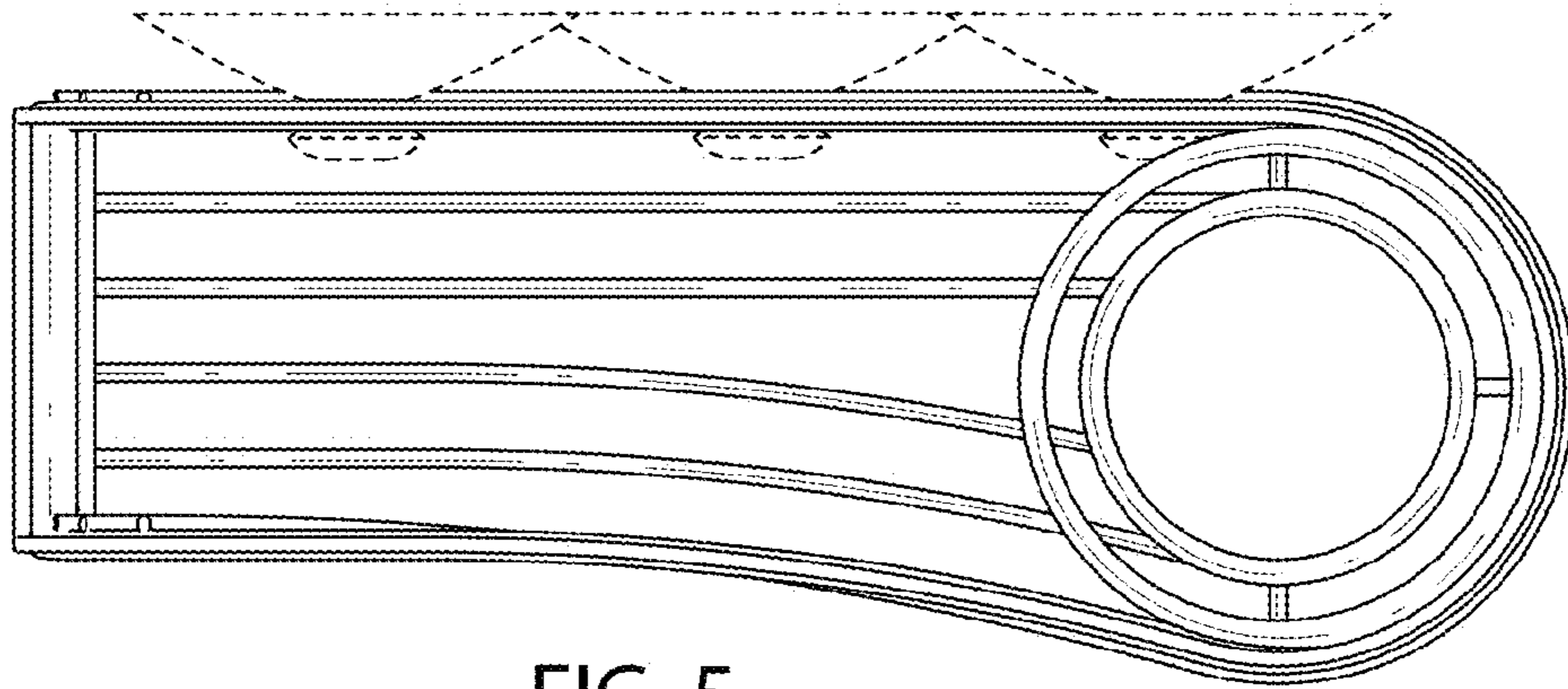


FIG. 5

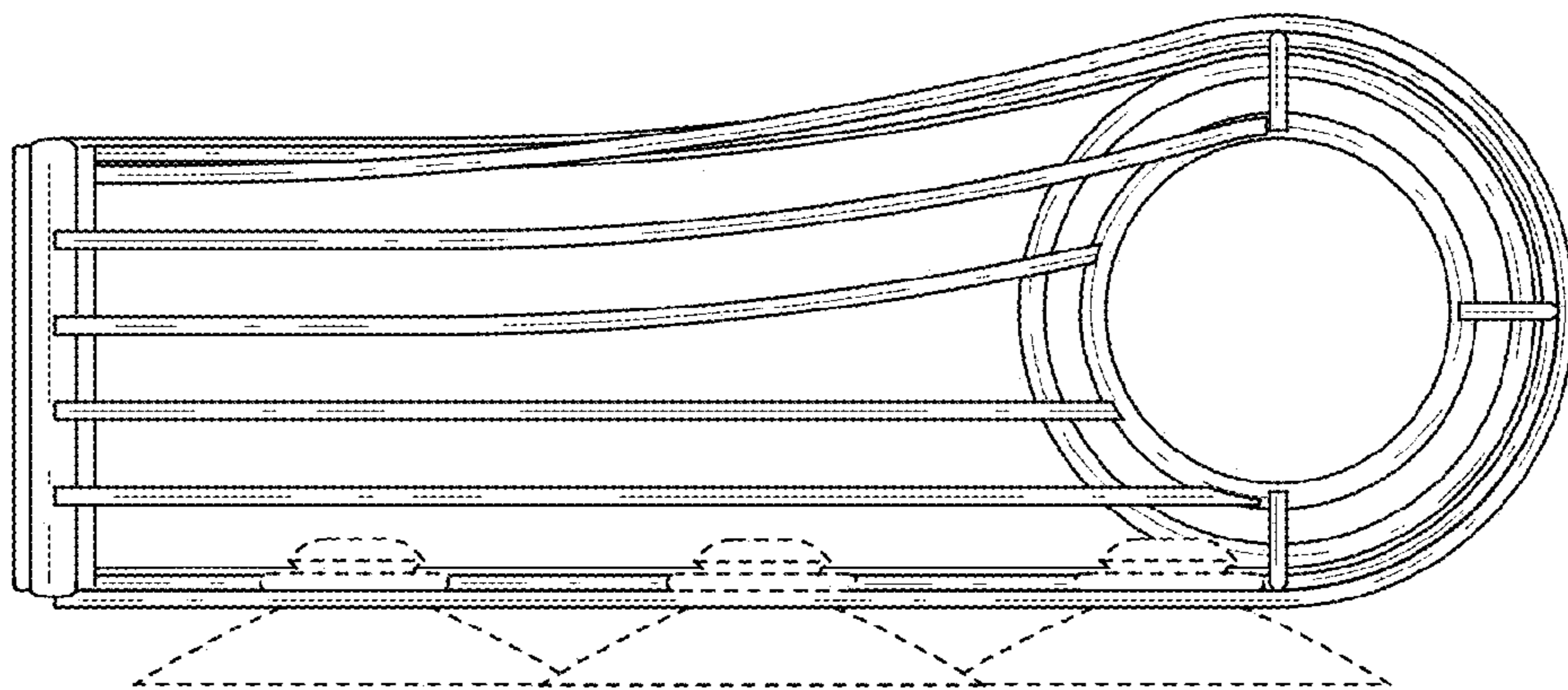


FIG. 6

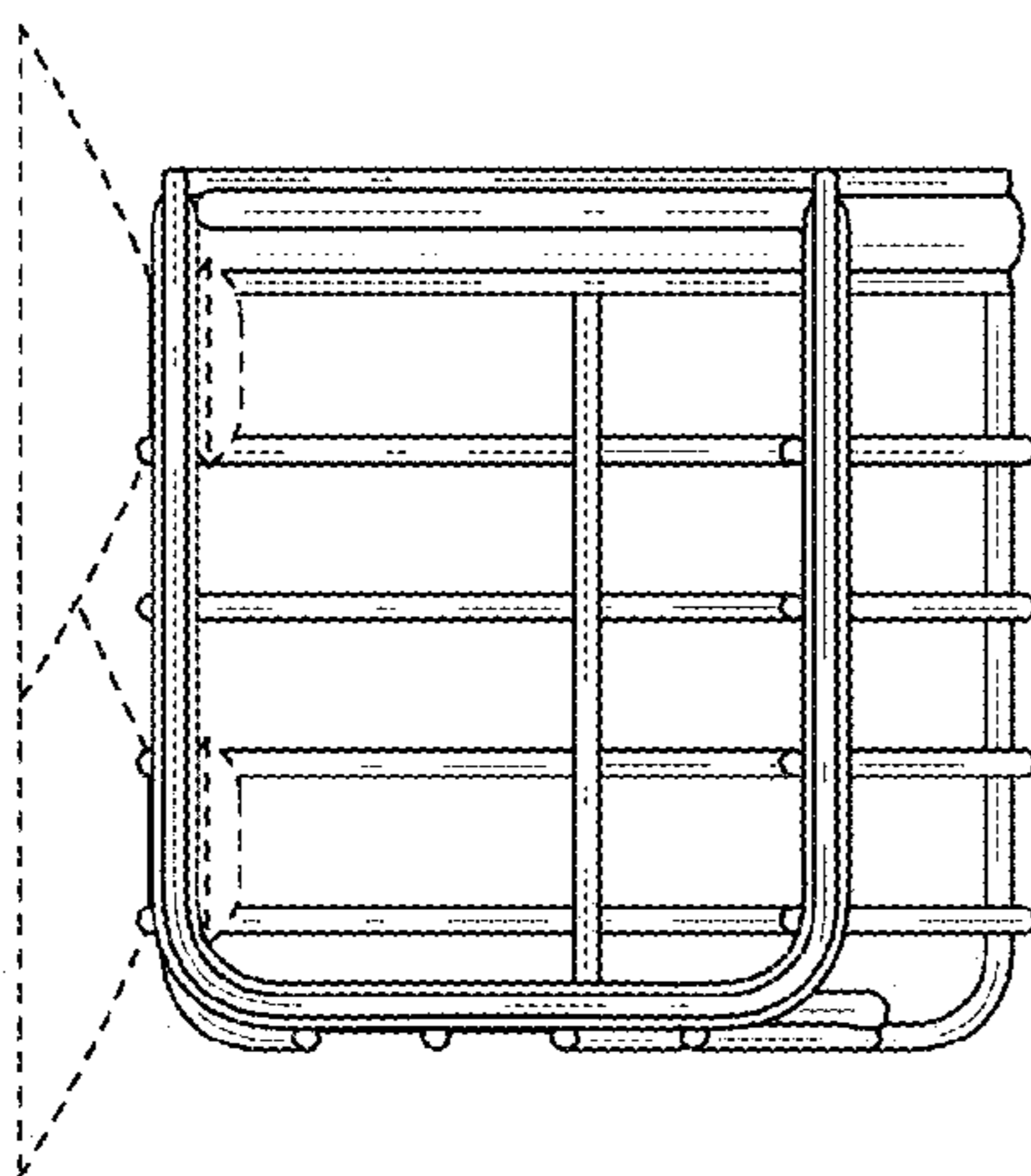


FIG. 7

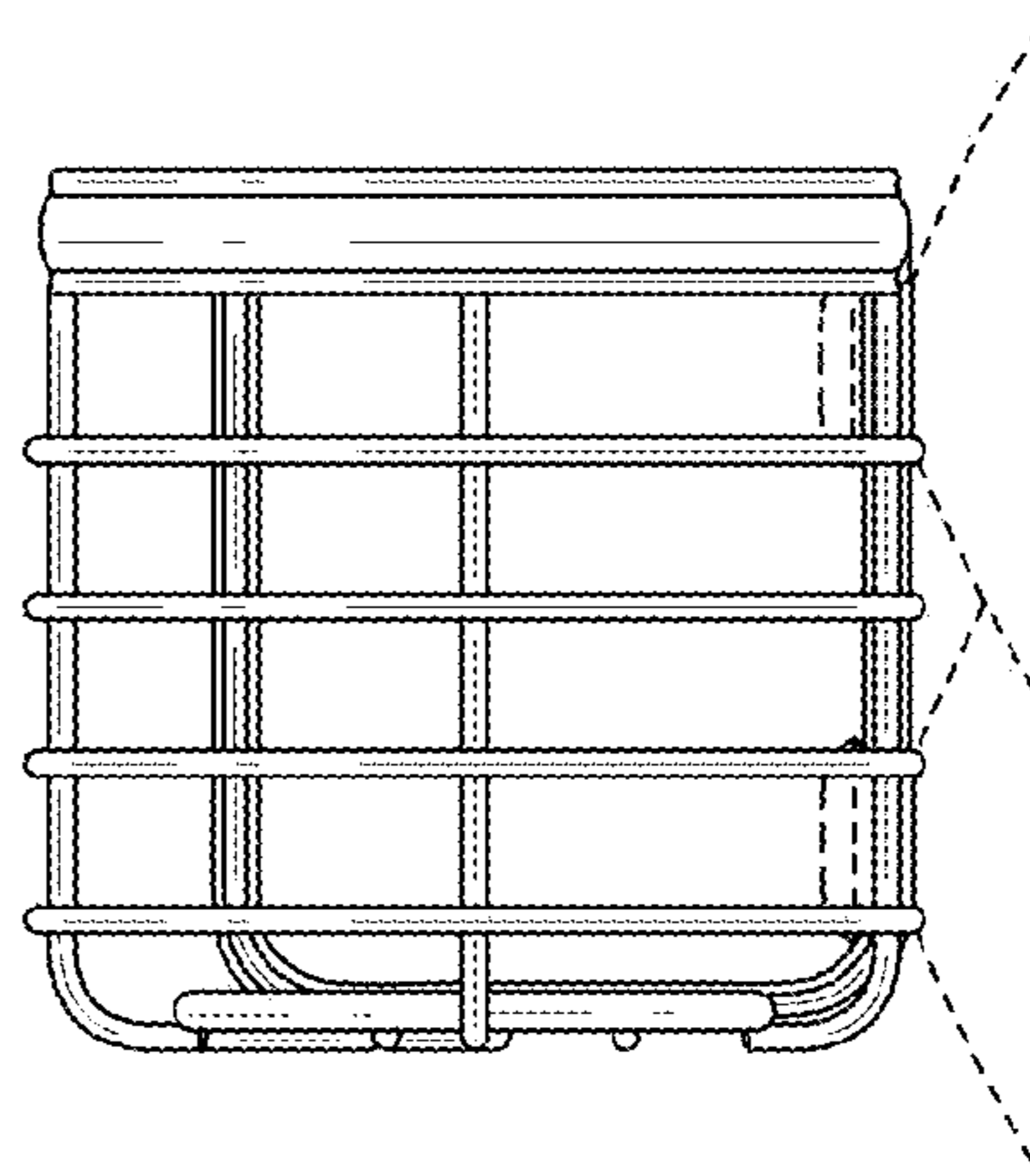


FIG. 8

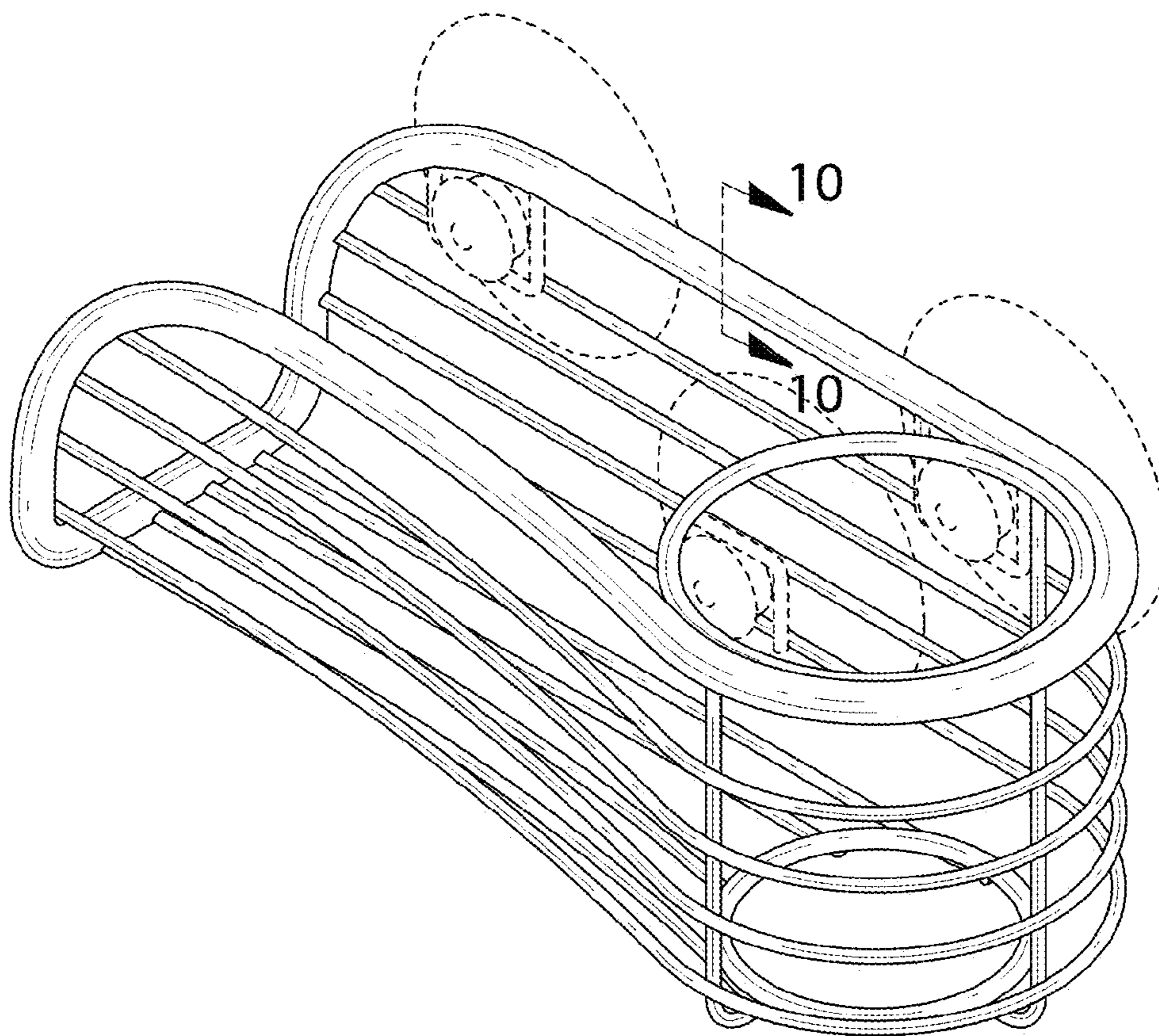


FIG. 9

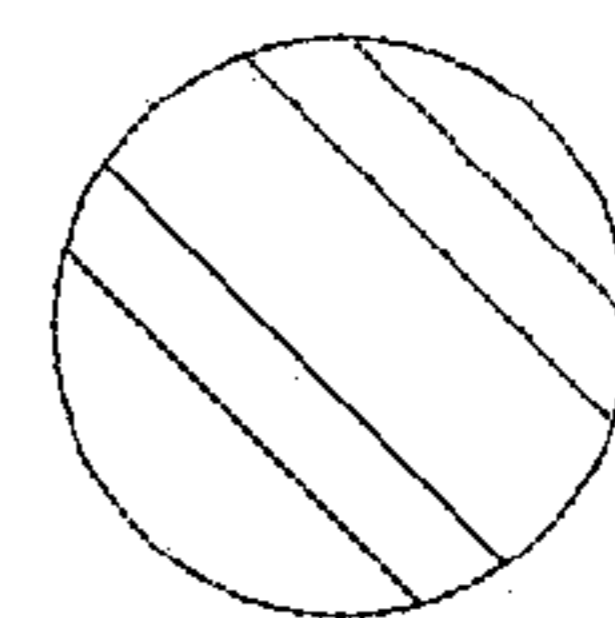


FIG. 10