



US00D723300S

(12) **United States Design Patent**  
**Goodman et al.**

(10) **Patent No.:** **US D723,300 S**  
(45) **Date of Patent:** **\*\* Mar. 3, 2015**

(54) **TOWEL BAR**

(56) **References Cited**

(71) Applicant: **Spectrum Diversified Designs, Inc.**,  
Streetsboro, OH (US)  
(72) Inventors: **Sheldon H. Goodman**, Solon, OH (US);  
**Phaysouk Xayoiphonh**, Akron, OH  
(US)  
(73) Assignee: **Spectrum Diversified Designs, Inc.**,  
Streetsboro, OH (US)

U.S. PATENT DOCUMENTS

D543,062 S *	5/2007	Snell .....	D6/514
D579,248 S *	10/2008	Goodman et al. ....	D6/513
D582,708 S *	12/2008	Goodman et al. ....	D6/513
D608,574 S	1/2010	Goodman et al.	
D613,589 S	4/2010	Goodman et al.	
D613,590 S	4/2010	Goodman et al.	
D618,023 S *	6/2010	Goodman et al. ....	D6/549

\* cited by examiner

*Primary Examiner* — Brian N Vinson  
(74) *Attorney, Agent, or Firm* — Benesch Freidlander  
Coplan & Aronoff LLP

(\*\*) Term: **14 Years**

(57) **CLAIM**  
What is claimed is the ornamental design for a towel bar, as  
shown and described.

(21) Appl. No.: **29/479,962**

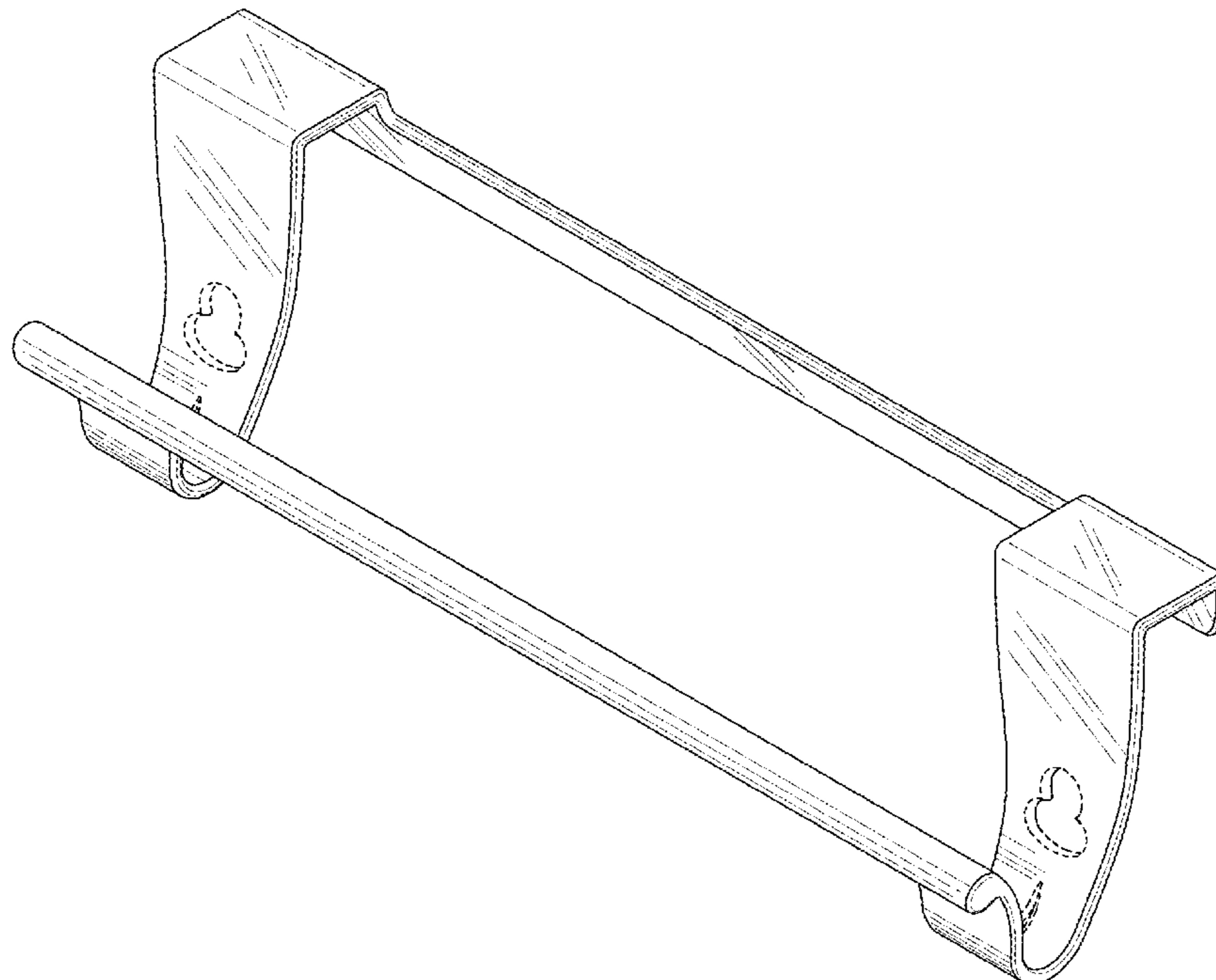
**DESCRIPTION**

(22) Filed: **Jan. 22, 2014**  
(51) **LOC (10) Cl.** ..... **06-04**  
(52) **U.S. Cl.**  
USPC ..... **D6/559**; D6/513  
(58) **Field of Classification Search**  
USPC ..... D6/512-514, 553, 567, 548, 549;  
211/13.1, 34-39, 85.31, 113;  
248/309.1, 309.2

FIG. 1 is a perspective view of a towel bar showing a new  
design;  
FIG. 2 is a top view of the towel bar of FIG. 1;  
FIG. 3 is a front view of the towel bar of FIG. 1;  
FIG. 4 is a side view of the towel bar of FIG. 1;  
FIG. 5 is a bottom side view of the towel bar of FIG. 1; and,  
FIG. 6 is a rear view of the towel bar of FIG. 1.  
The components of the display shown in broken lines illus-  
trate portions of the towel bar form no part of the claimed  
design.

See application file for complete search history.

**1 Claim, 3 Drawing Sheets**



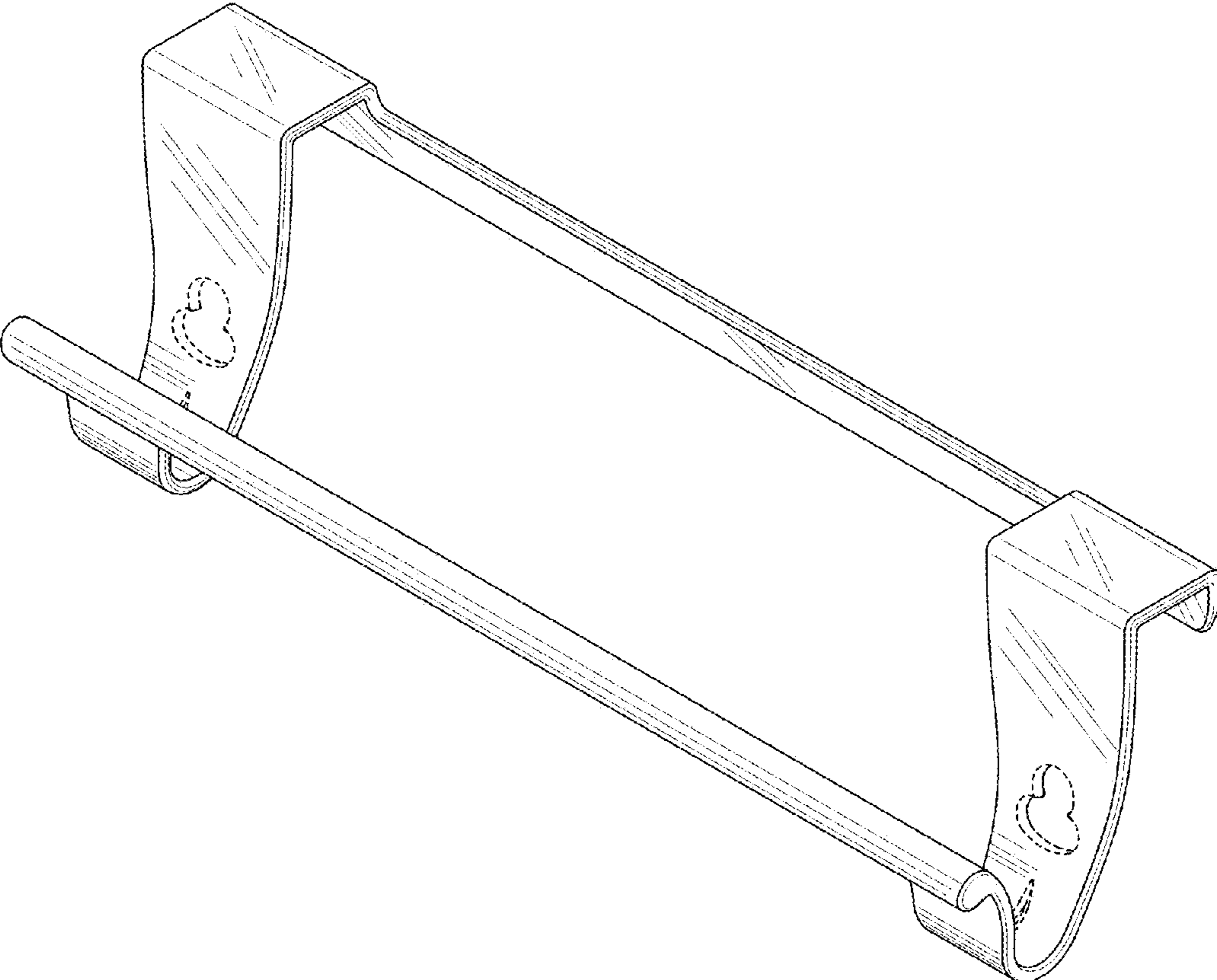


FIG 1

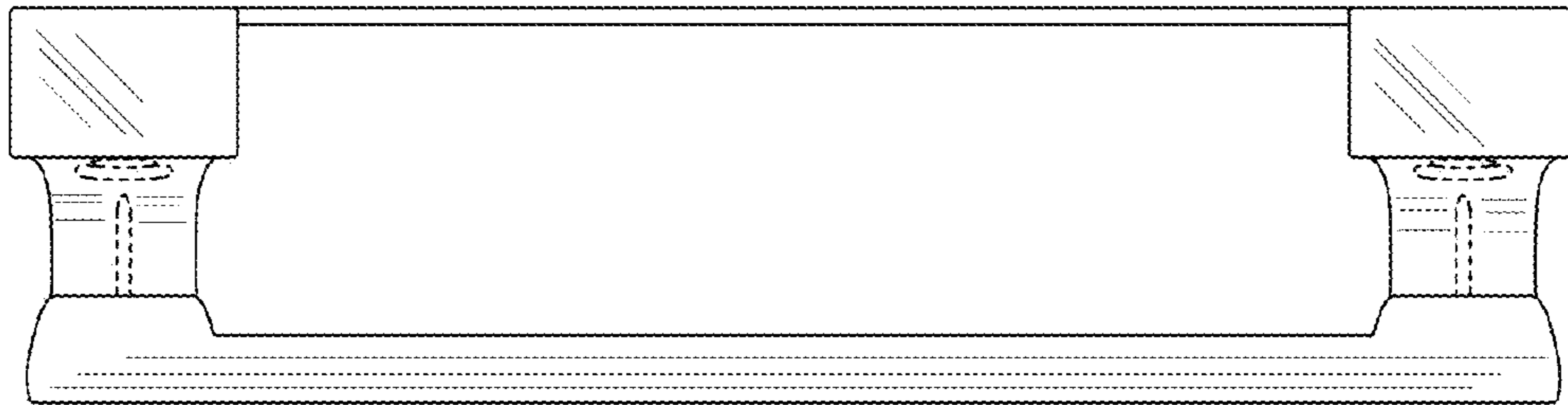


FIG 2

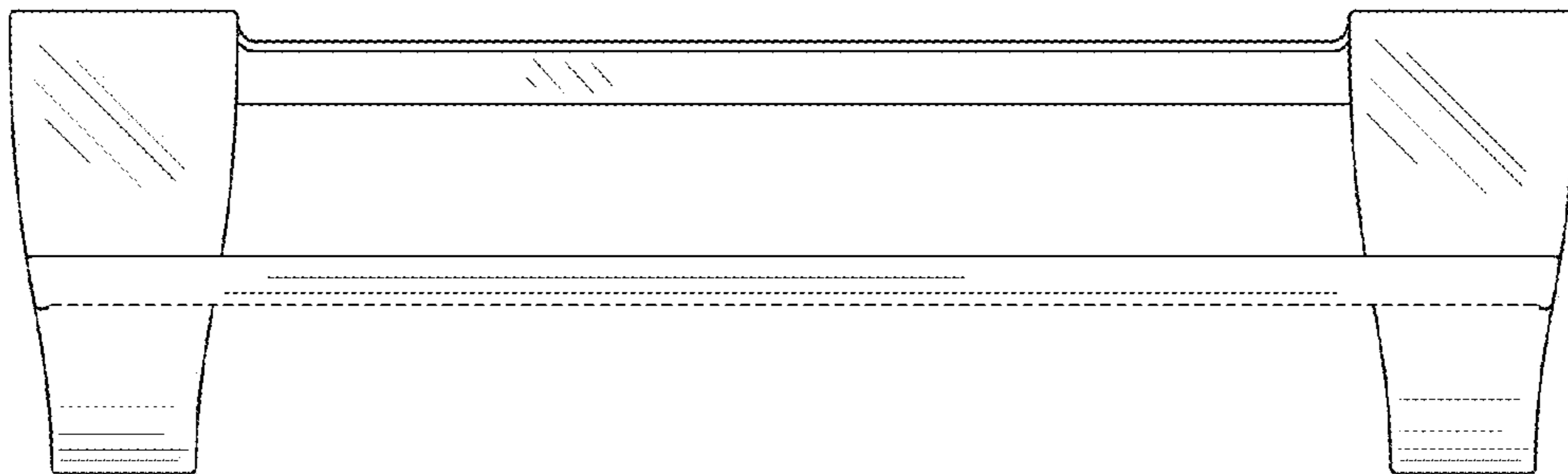


FIG 3

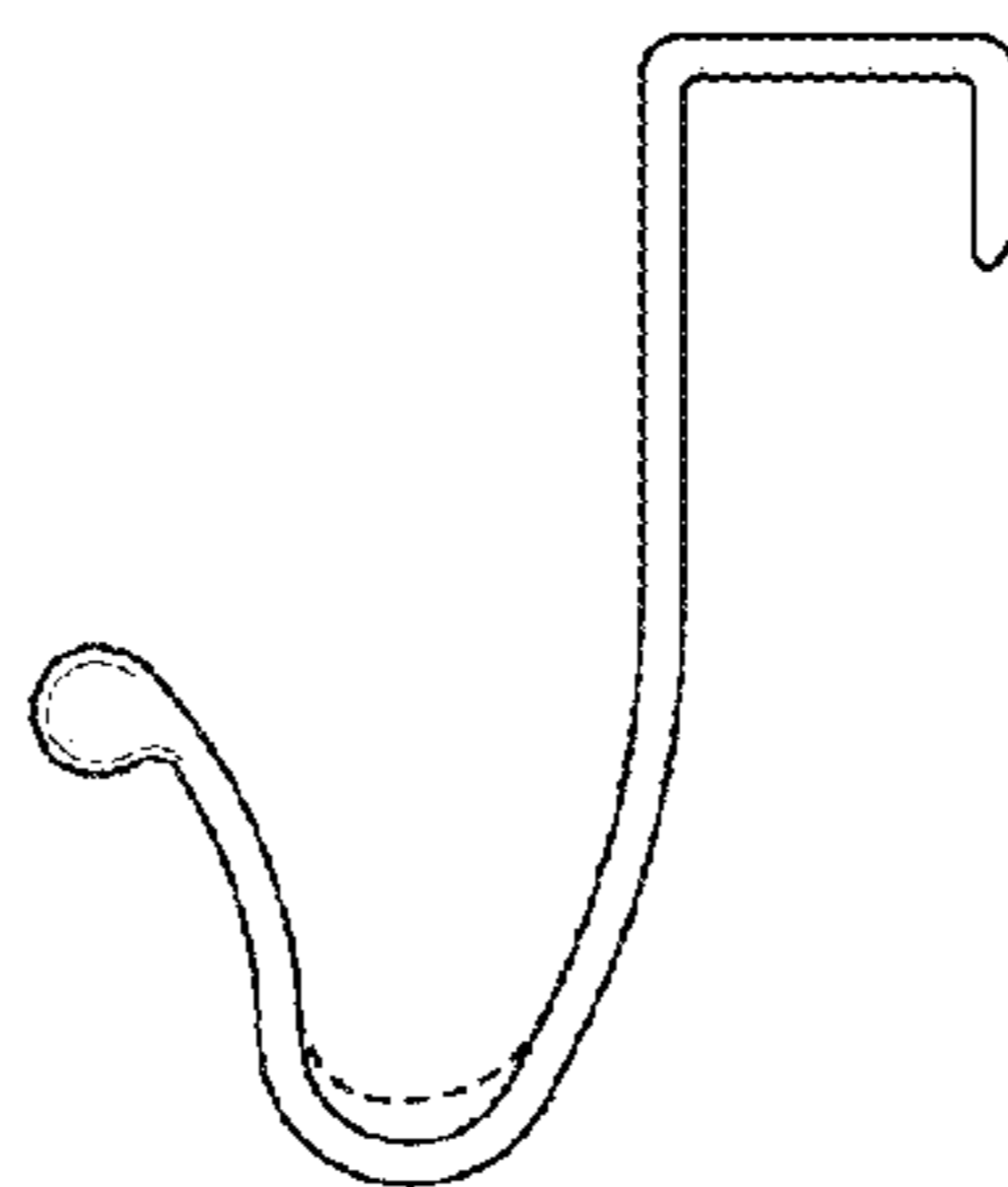


FIG 4

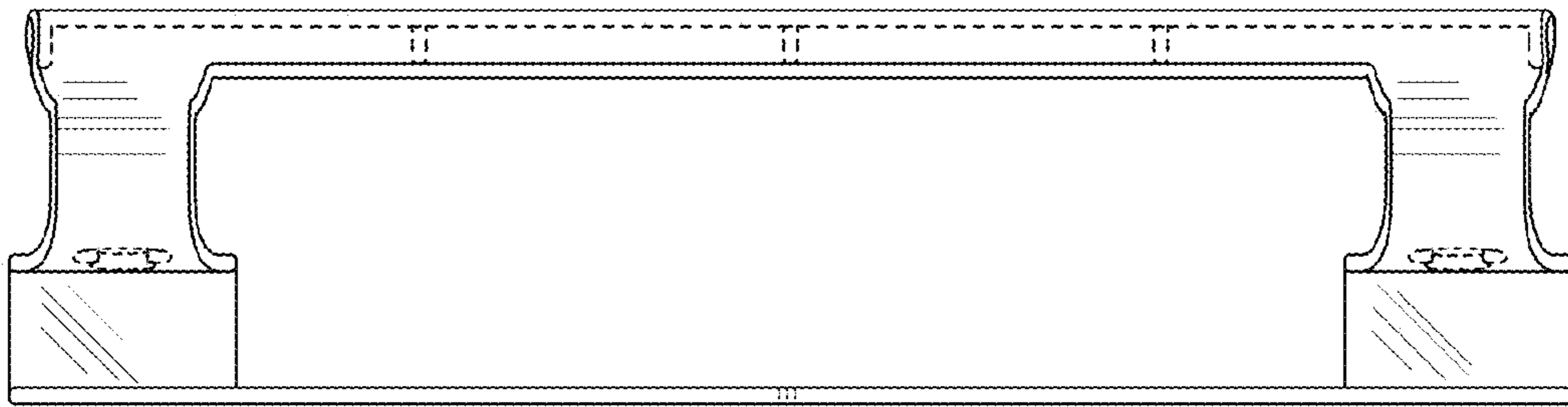


FIG 5

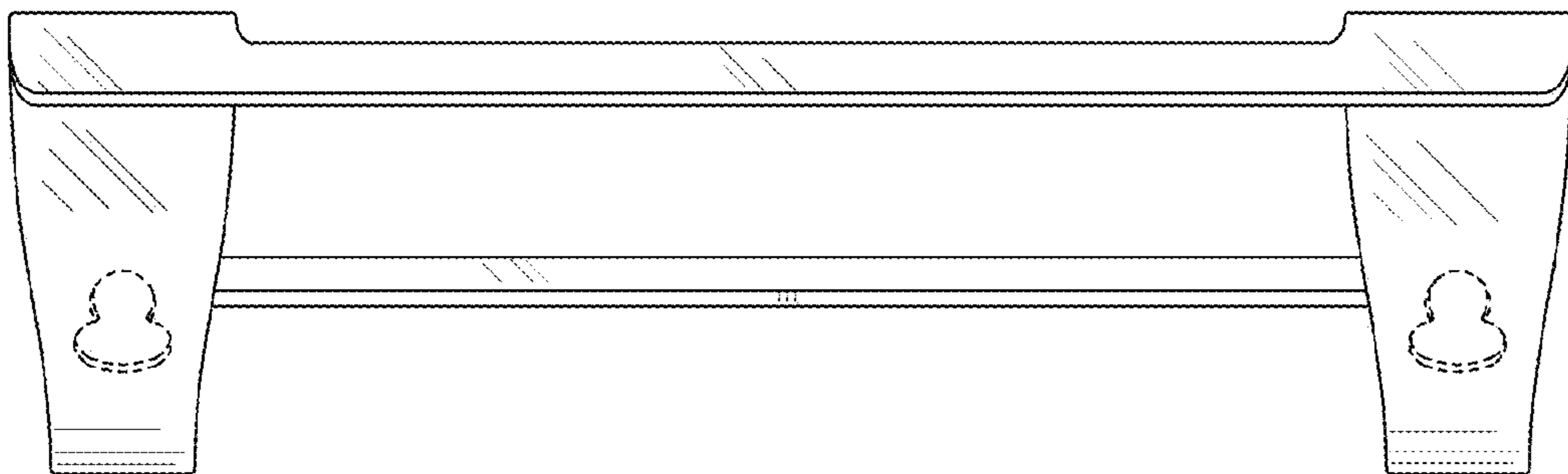


FIG 6