



US00D723299S

(12) **United States Design Patent**
Citterio

(10) **Patent No.:** **US D723,299 S**
(45) **Date of Patent:** **** Mar. 3, 2015**

(54) **BATHROOM ACCESSORY**

(71) Applicant: **Hansgrohe SE**, Schiltach (DE)

(72) Inventor: **Antonio Citterio**, Milan (IT)

(73) Assignee: **Hansgrohe SE**, Schiltach (DE)

(**) Term: **14 Years**

(21) Appl. No.: **29/491,909**

(22) Filed: **May 27, 2014**

(30) **Foreign Application Priority Data**

Dec. 3, 2013 (EM) 001391742-0012

(51) **LOC (10) Cl.** **06-04**

(52) **U.S. Cl.**
USPC **D6/551**

(58) **Field of Classification Search**
CPC E03C 1/308; E03C 1/12; A47K 10/22;
A47K 10/24; A47K 11/00; A47K 11/10;
A47B 81/02
USPC D6/524, 525, 551
See application file for complete search history.

(56) **References Cited**

U.S. PATENT DOCUMENTS

D509,961 S *	9/2005	Petersen-Rutten	D6/551
D576,801 S *	9/2008	Dretzka	D6/551
D621,190 S *	8/2010	Yoo et al.	D6/524
D689,299 S *	9/2013	Kassem Llano et al.	D6/524

FOREIGN PATENT DOCUMENTS

EM	000418033-0005	10/2005
EM	000418033-0006	10/2005
EM	000418033-0007	10/2005
EM	000449194-0011	12/2005

* cited by examiner

Primary Examiner — Brian N Vinson

(74) *Attorney, Agent, or Firm* — Lora J. Graentzdoerffer

(57) **CLAIM**

The ornamental design for a bathroom accessory, as shown and described.

DESCRIPTION

FIG. 1 is a perspective view of a bathroom accessory showing my design;
FIG. 2 is a front elevational view;
FIG. 3 is a rear elevational view;
FIG. 4 is a left side elevational view;
FIG. 5 is a right side elevational view;
FIG. 6 is a top plan view; and,
FIG. 7 is a bottom plan view.
The broken lines represent portions of the accessory which form no part of the claimed design.

1 Claim, 7 Drawing Sheets

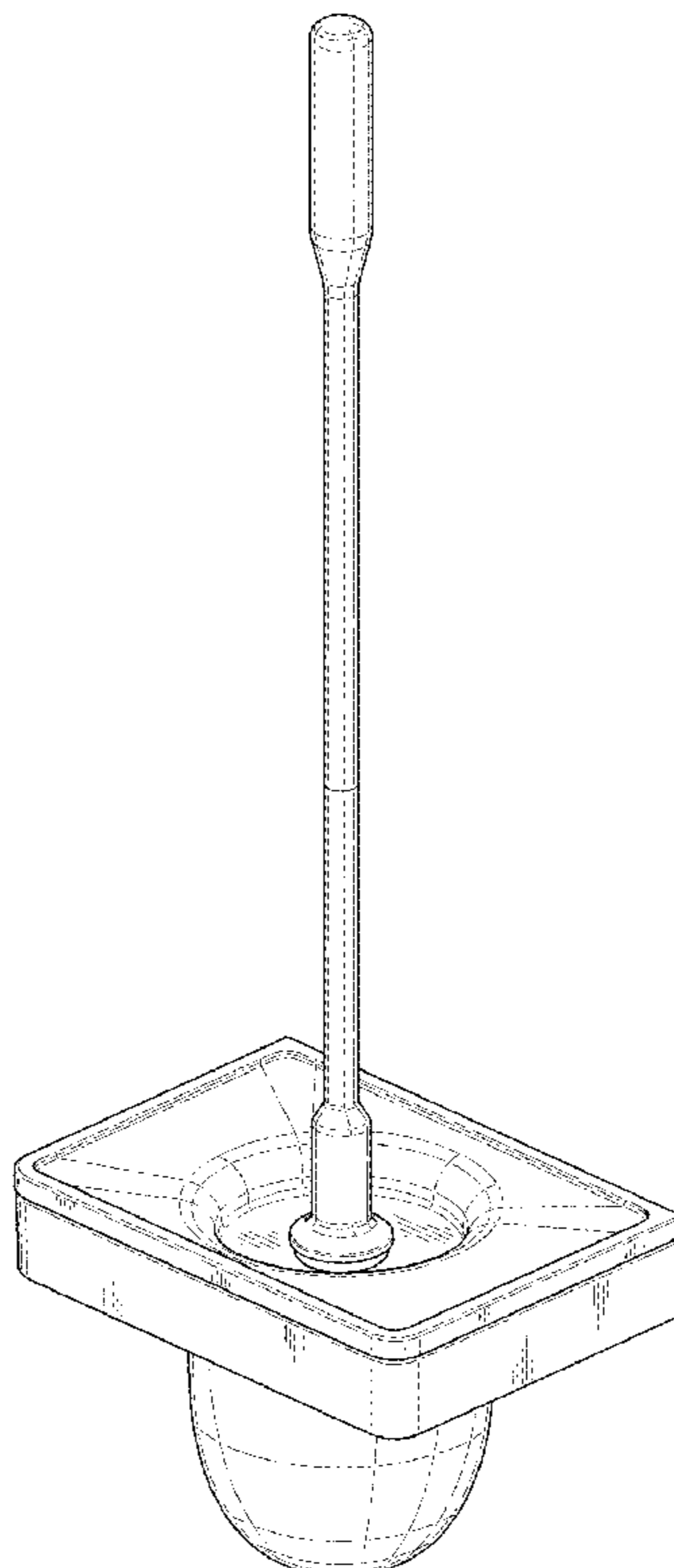


FIG. 1

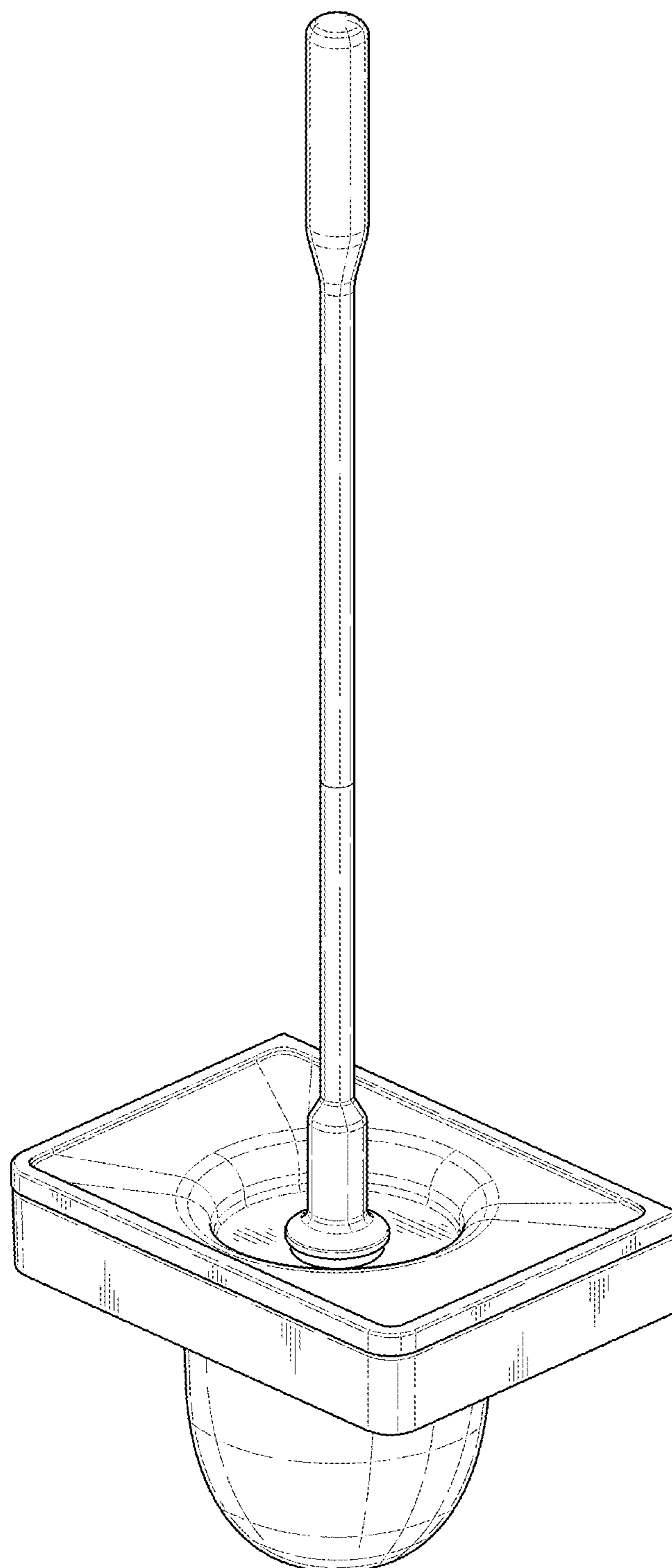


FIG. 2

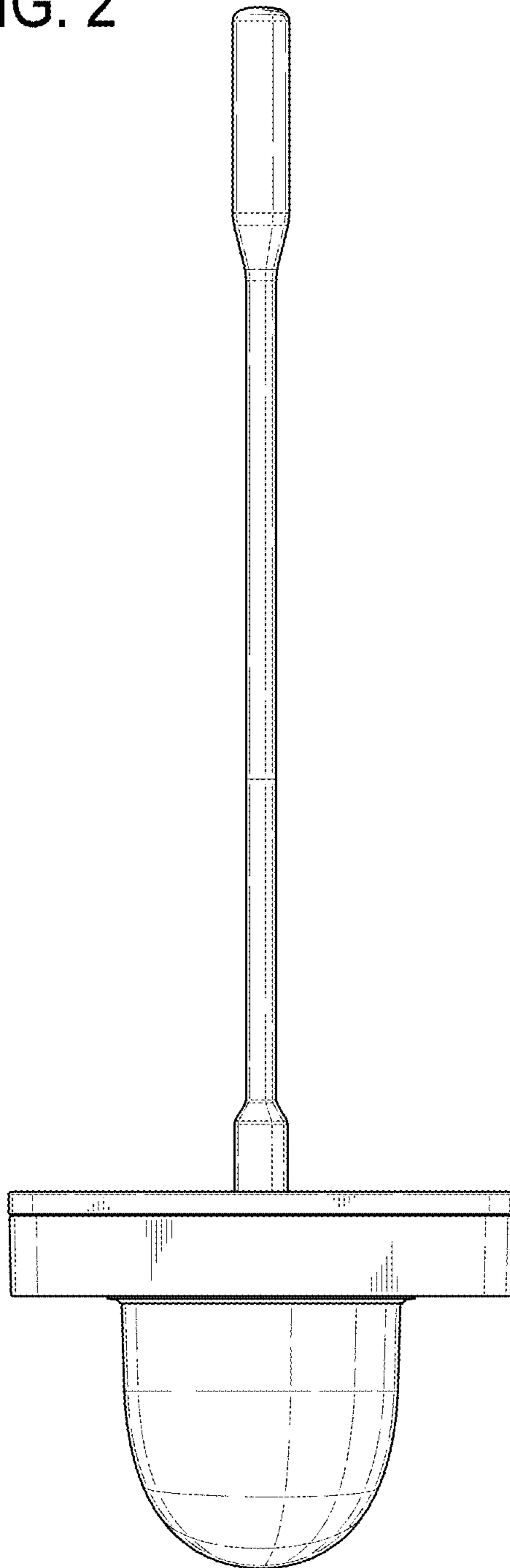


FIG. 3

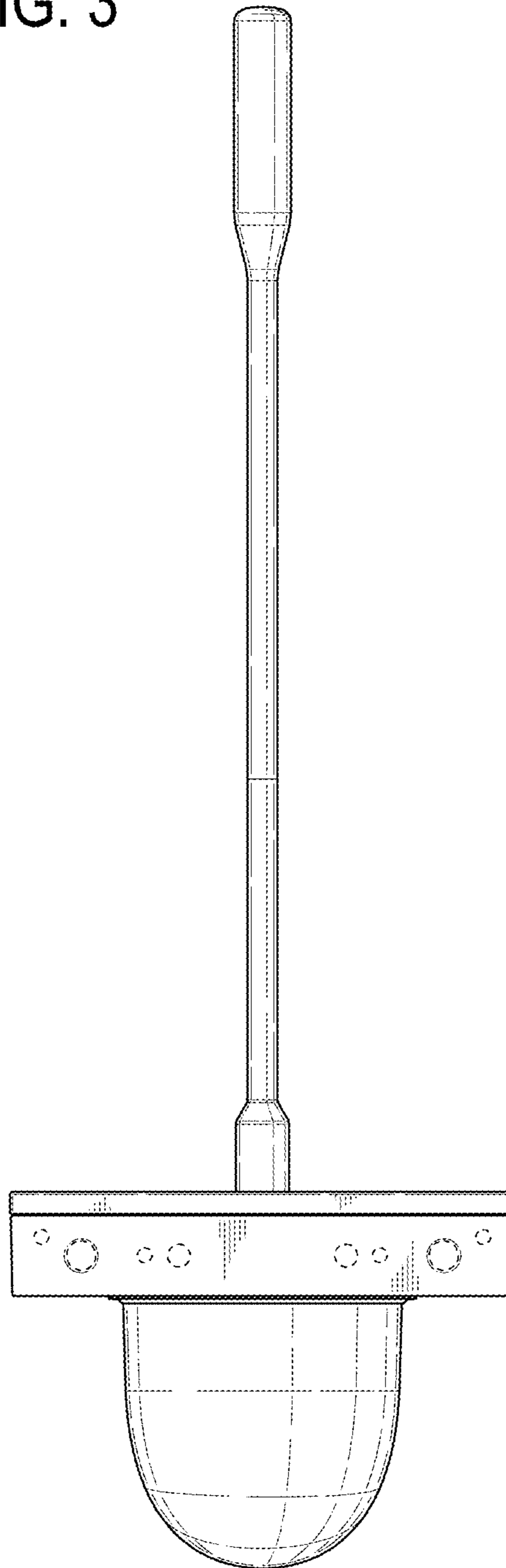


FIG. 4

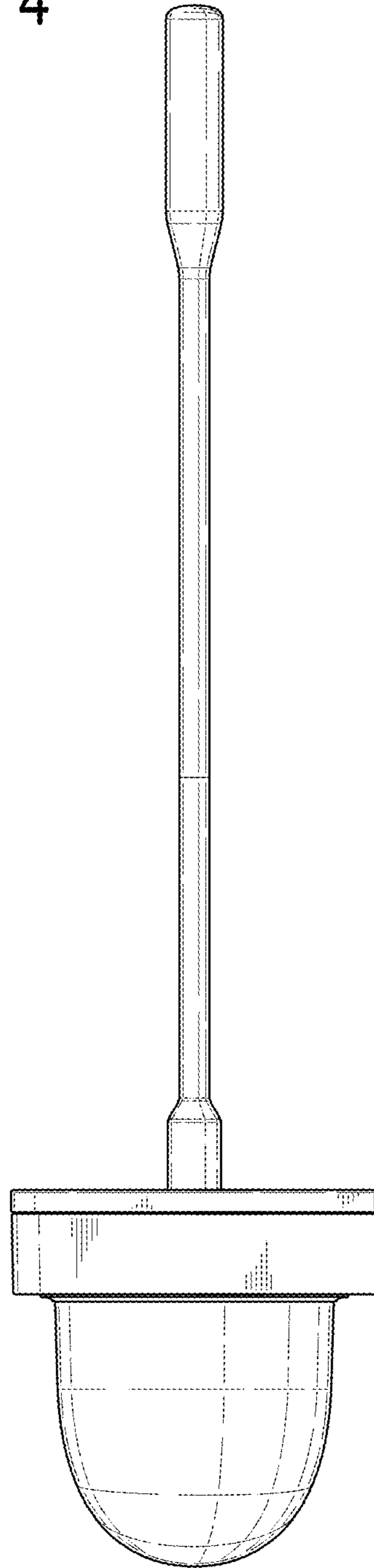


FIG. 5

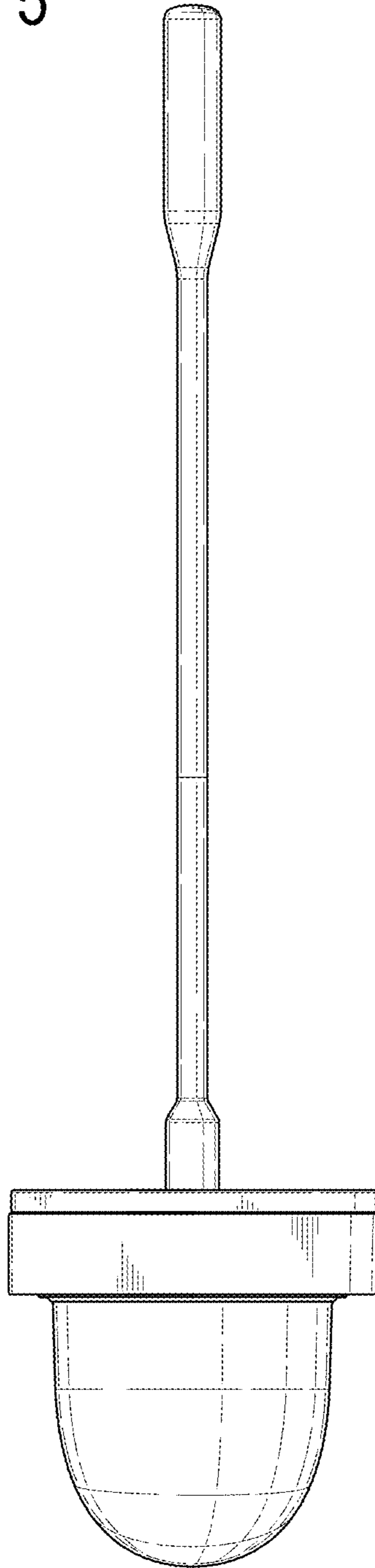


FIG. 6

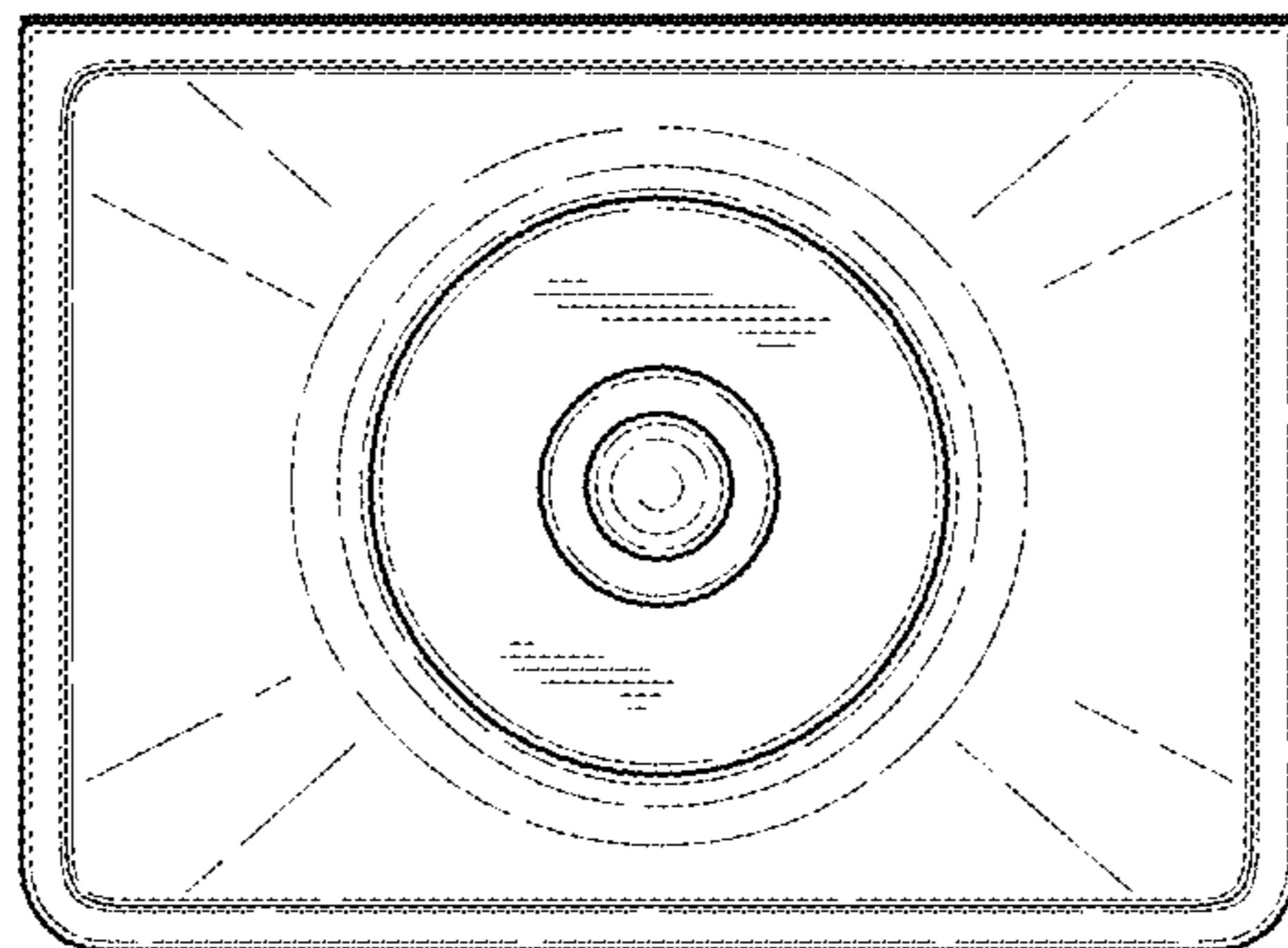


FIG. 7

