



US00D723298S

(12) **United States Design Patent**
Goodman et al.

(10) **Patent No.:** **US D723,298 S**
(45) **Date of Patent:** **** Mar. 3, 2015**

(54) **TOWEL BAR**

(71) Applicant: **Spectrum Diversified Designs, Inc.**,
Streetsboro, OH (US)

(72) Inventors: **Sheldon H. Goodman**, Solon, OH (US);
Phaysouk Xayoiphonh, Akron, OH
(US); **Jennifer K. Case**, Middleburg
Heights, OH (US)

(73) Assignee: **Spectrum Diversified Designs, Inc.**,
Streetsboro, OH (US)

(**) Term: **14 Years**

(21) Appl. No.: **29/495,552**

(22) Filed: **Jul. 2, 2014**

(51) **LOC (10) Cl.** **06-04**

(52) **U.S. Cl.**
USPC **D6/549; D6/513**

(58) **Field of Classification Search**
USPC D6/512-514, 553, 567, 548, 549;
211/13.1, 34-39, 85.31, 113;
248/309.1, 309.2

See application file for complete search history.

(56) **References Cited**

U.S. PATENT DOCUMENTS

D327,598 S * 7/1992 Emery D6/549
D367,793 S * 3/1996 Macek D6/548

D416,731 S * 11/1999 Klein et al. D6/548
D570,631 S * 6/2008 Goodman et al. D6/514
D576,435 S * 9/2008 Snell D6/522
D577,939 S * 10/2008 Rubin et al. D6/548
D599,567 S * 9/2009 Kuo D6/549
D613,540 S * 4/2010 Klein et al. D6/548
D668,494 S * 10/2012 Nazario D6/548
D670,944 S * 11/2012 Cittadino D6/548
D701,058 S * 3/2014 Goodman et al. D6/522

* cited by examiner

Primary Examiner — Brian N Vinson

(74) *Attorney, Agent, or Firm* — Benesch Friedlander
Coplan & Aronoff LLP

(57) **CLAIM**

What is claimed is the ornamental design for a towel bar, as
shown and described.

DESCRIPTION

FIG. 1 is a perspective view of a towel bar showing a new
design;

FIG. 2 is a top view of the towel bar of FIG. 1;

FIG. 3 is a left side view of the towel bar of FIG. 1;

FIG. 4 is a front view of the towel bar of FIG. 1;

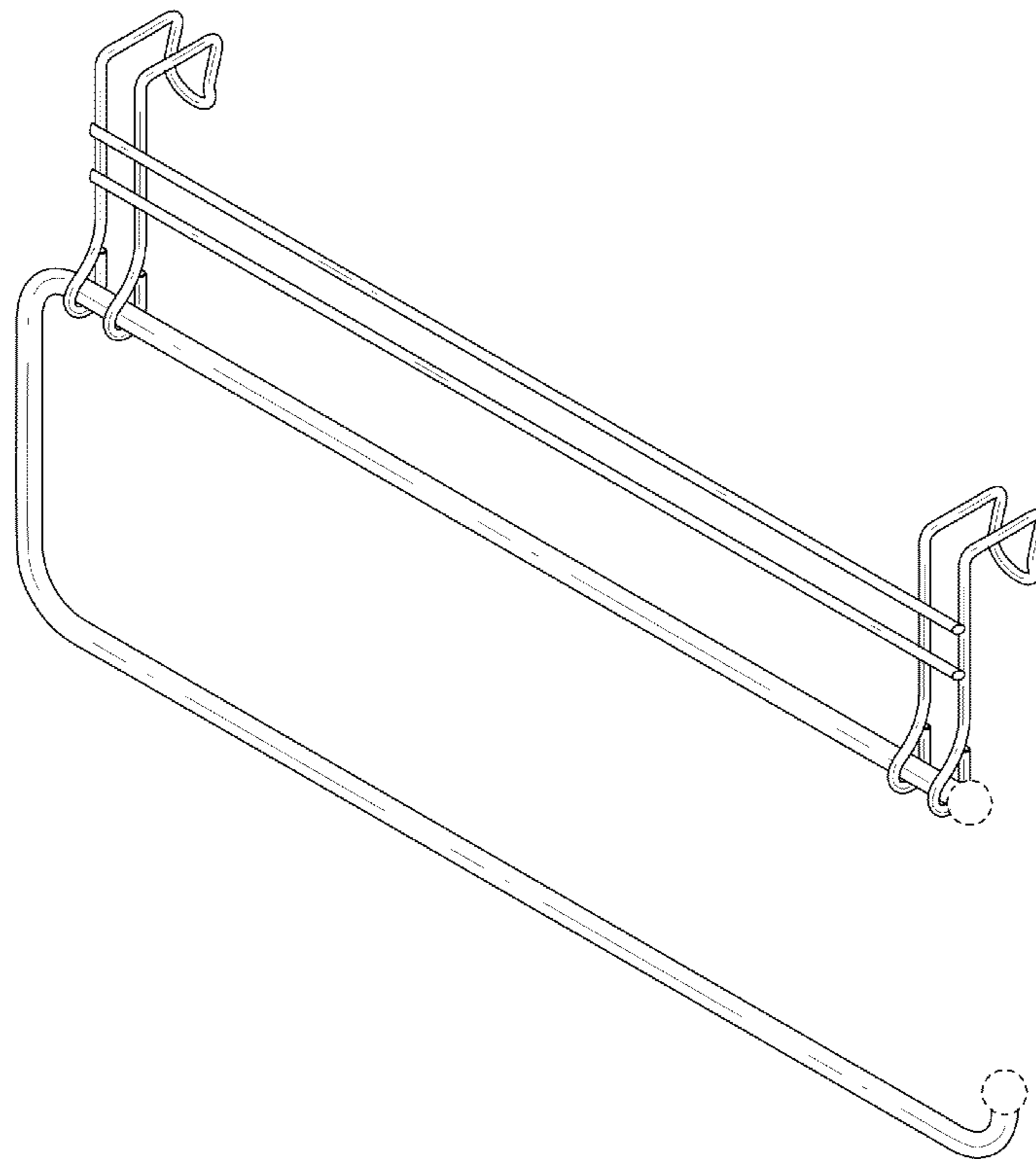
FIG. 5 is a right side view of the towel bar of FIG. 1;

FIG. 6 is a bottom view of the towel bar of FIG. 1; and,

FIG. 7 is a rear view of the towel bar of FIG. 1.

The components of the display shown in broken lines illus-
trate portions of the towel bar form no part of the claimed
design.

1 Claim, 2 Drawing Sheets



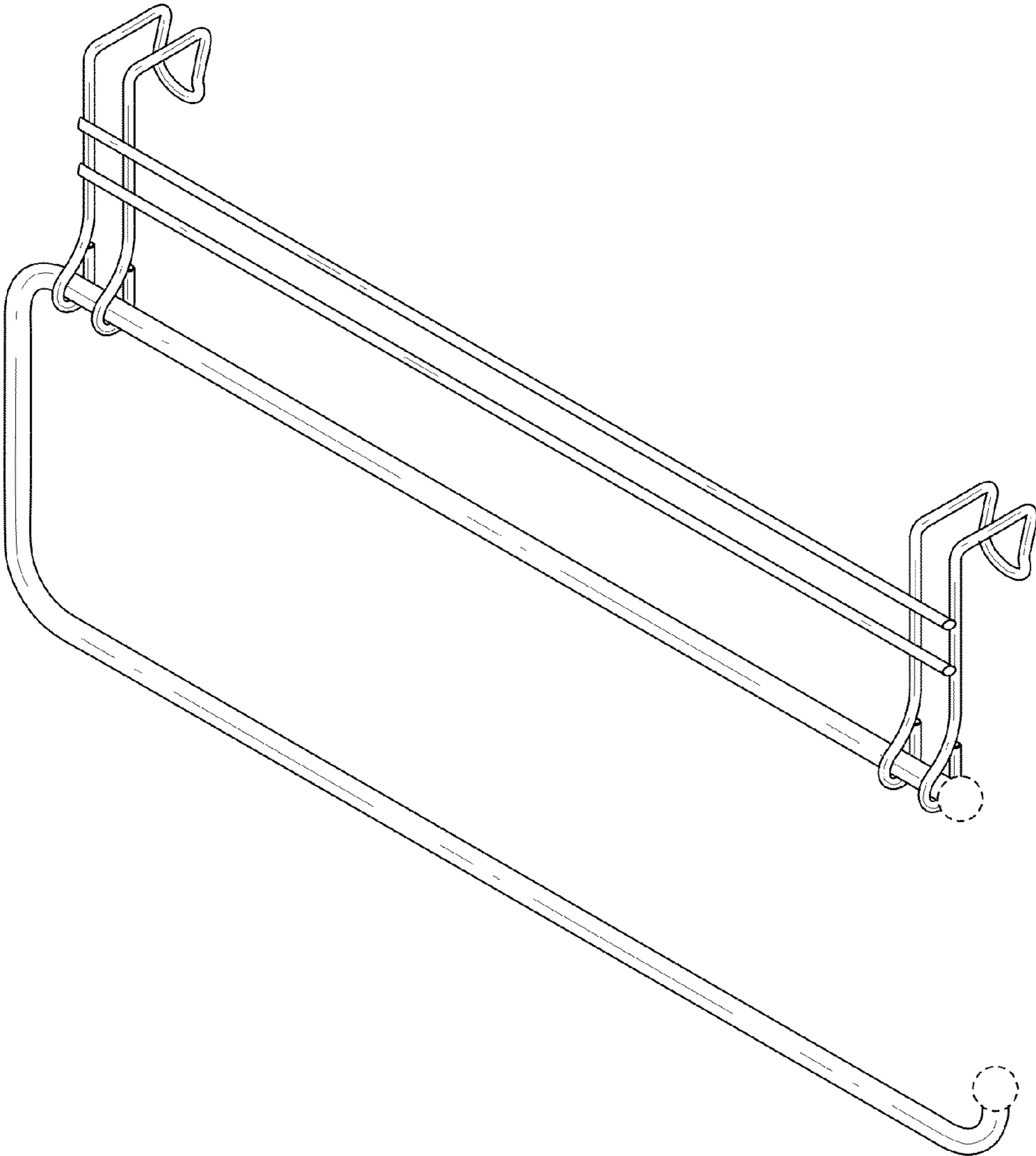


FIG. 1

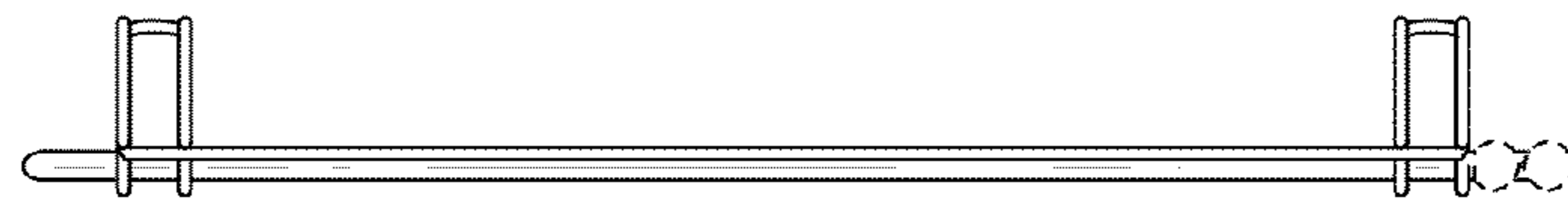


FIG. 2

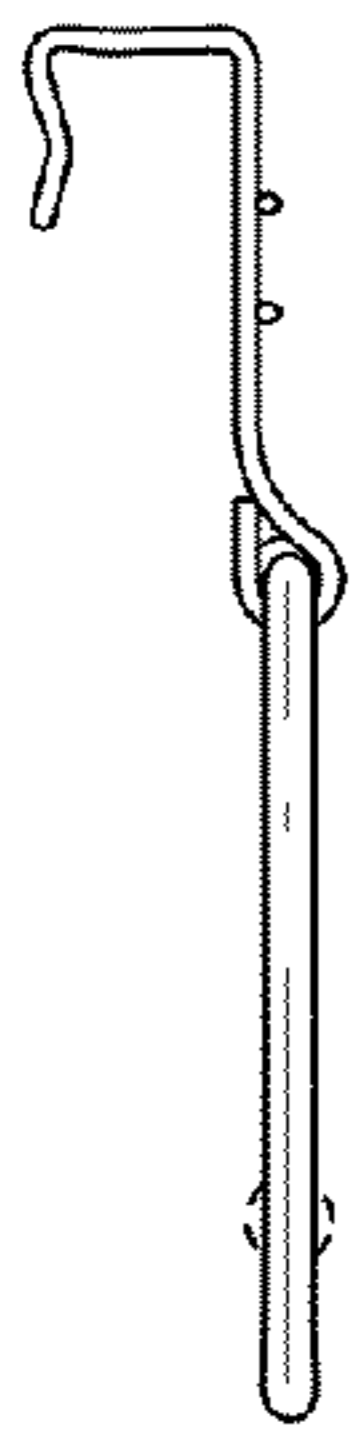


FIG. 3

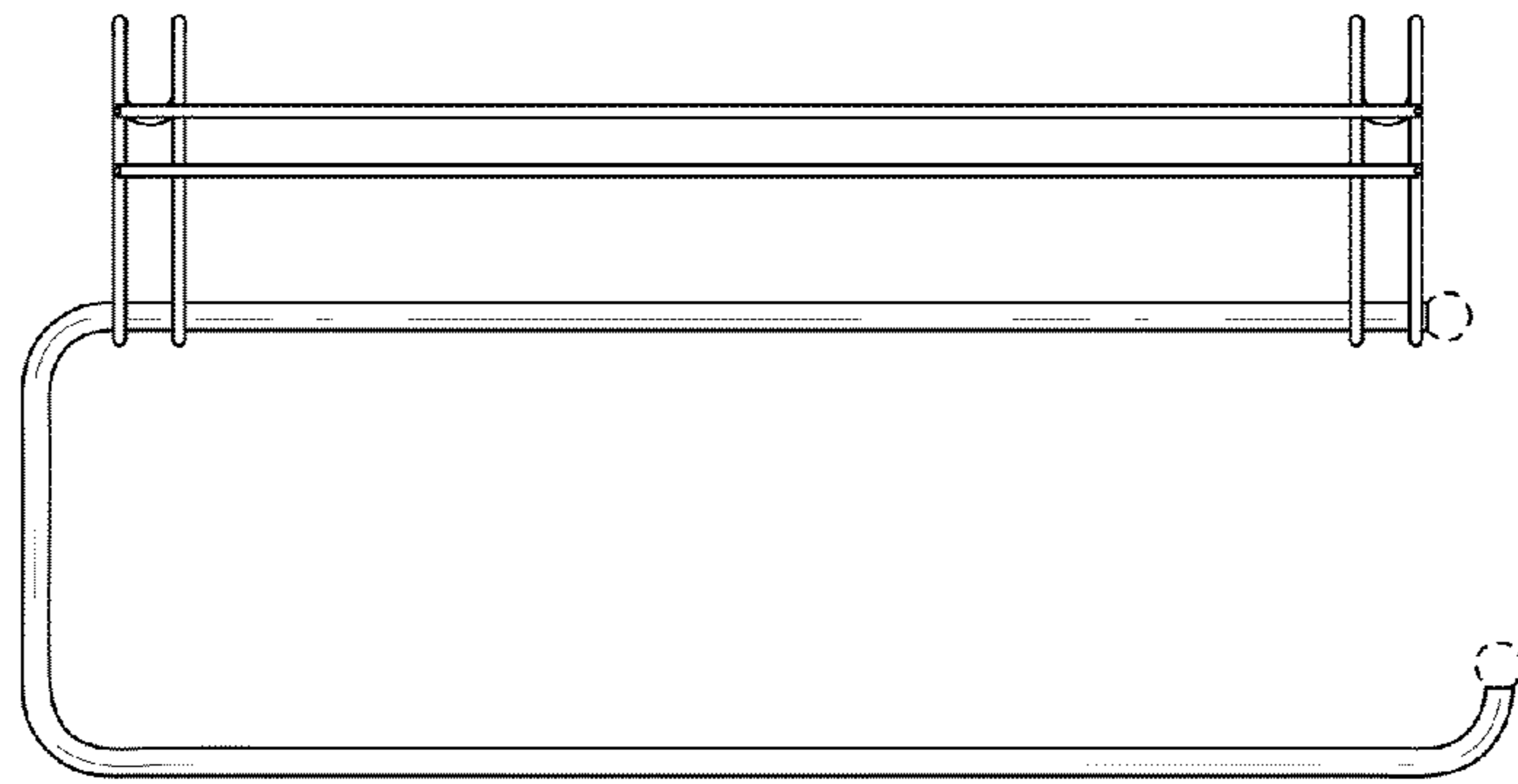


FIG. 4

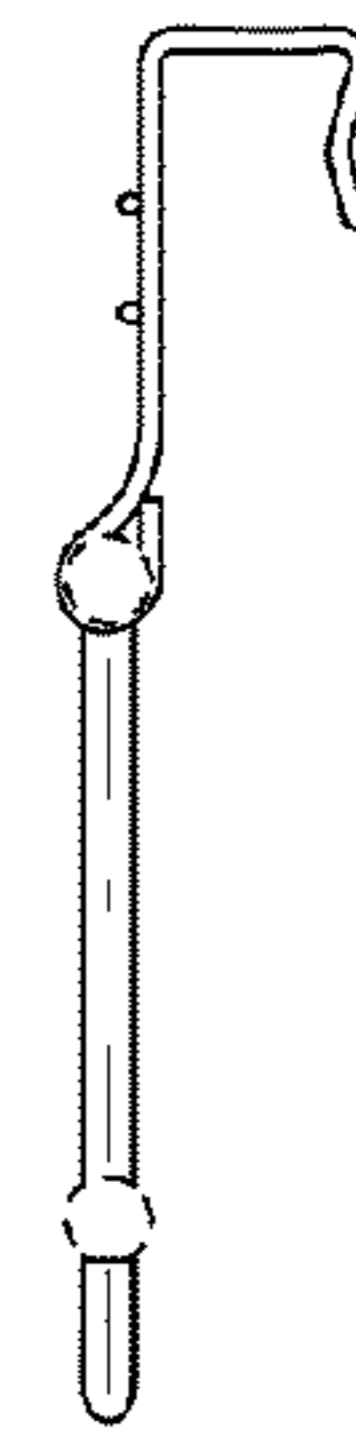


FIG. 5

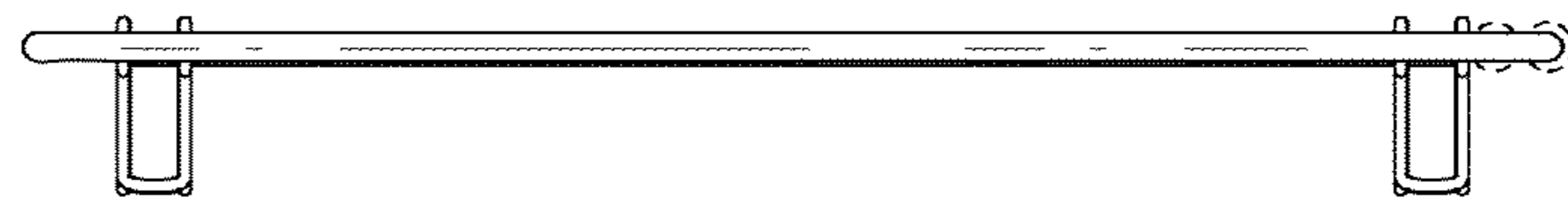


FIG. 6

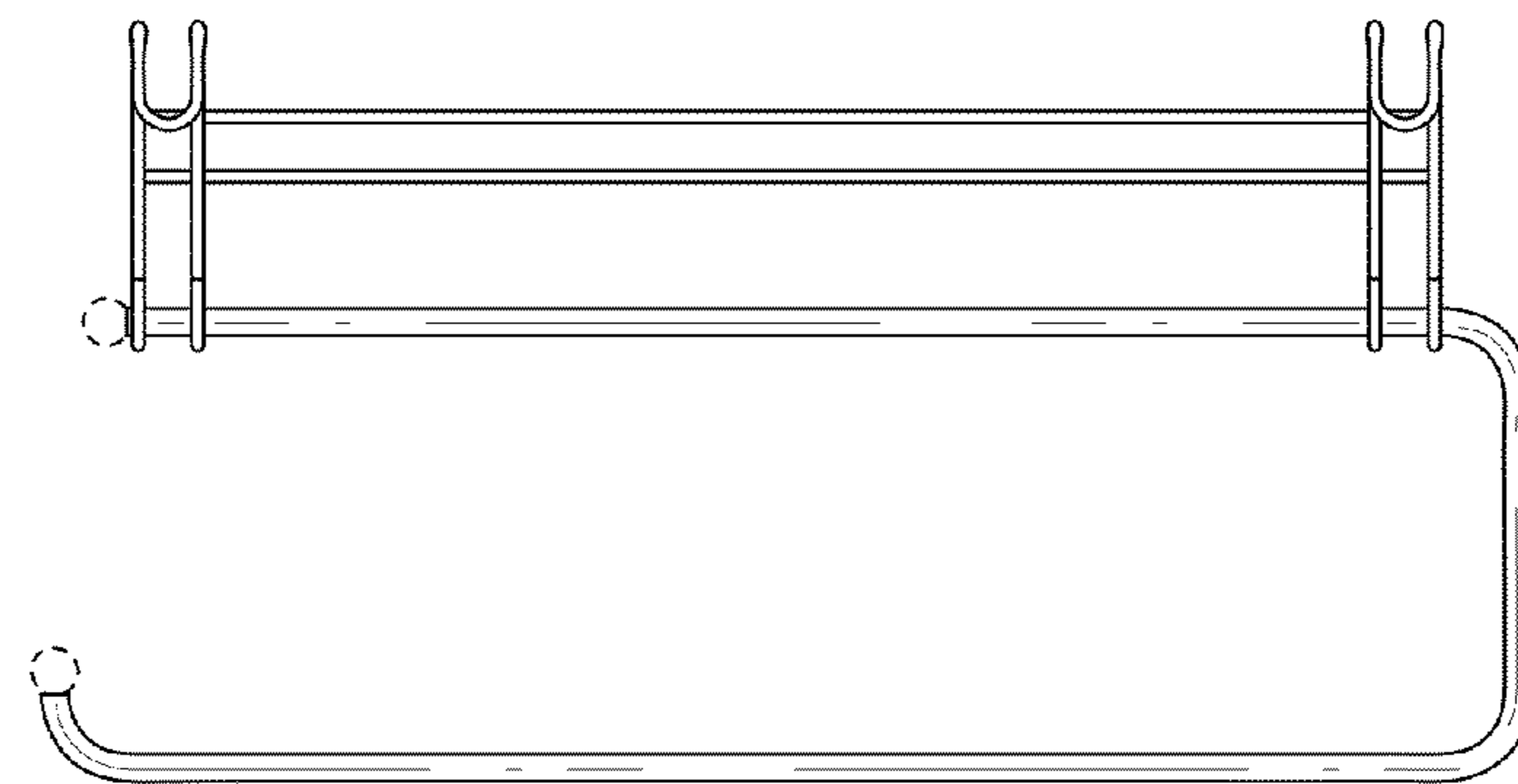


FIG. 7