



US00D723295S

(12) **United States Design Patent**
Ruiz et al.

(10) **Patent No.:** **US D723,295 S**
(45) **Date of Patent:** **** Mar. 3, 2015**

- (54) **SHOE RACK**
- (71) Applicant: **Whitmor, Inc.**, South Haven, MS (US)
- (72) Inventors: **Milton D. Ruiz**, Germantown, TN (US);
Sandy Felsenthal, Memphis, TN (US)
- (73) Assignee: **Whitmor, Inc.**, Southaven, MS (US)
- (**) Term: **14 Years**
- (21) Appl. No.: **29/481,565**
- (22) Filed: **Feb. 7, 2014**

525,061 A	8/1894	Schmidt et al.	
525,062 A	8/1894	Crozier	
D139,415 S *	11/1944	Brown	D6/320
D287,550 S *	1/1987	Tocci	D6/320
D354,412 S *	1/1995	Emery	D6/548
D377,728 S *	2/1997	Klein et al.	D6/570
D382,434 S *	8/1997	Klein et al.	D6/570
D398,468 S *	9/1998	Yemini	D6/548
5,855,279 A *	1/1999	Klein et al.	211/113
D419,349 S *	1/2000	Klein et al.	D6/548
6,138,841 A *	10/2000	Klein et al.	211/113
D493,289 S *	7/2004	Klein et al.	D6/320
D507,137 S *	7/2005	Klein et al.	D6/514
D525,061 S *	7/2006	Abdi et al.	D6/514
D525,062 S *	7/2006	Abdi et al.	D6/514

* cited by examiner

Related U.S. Application Data

- (62) Division of application No. 29/462,027, filed on Jul. 30, 2013, now Pat. No. Des. 707,978.
- (51) **LOC (10) Cl.** **06-06**
- (52) **U.S. Cl.**
USPC **D6/514; D6/320**
- (58) **Field of Classification Search**
USPC D6/320, 514, 570, 548; 211/13.1,
211/34-39, 114; 248/309.2
See application file for complete search history.

Primary Examiner — Brian N Vinson

(74) *Attorney, Agent, or Firm* — Husch Blackwell LLP

(57) **CLAIM**

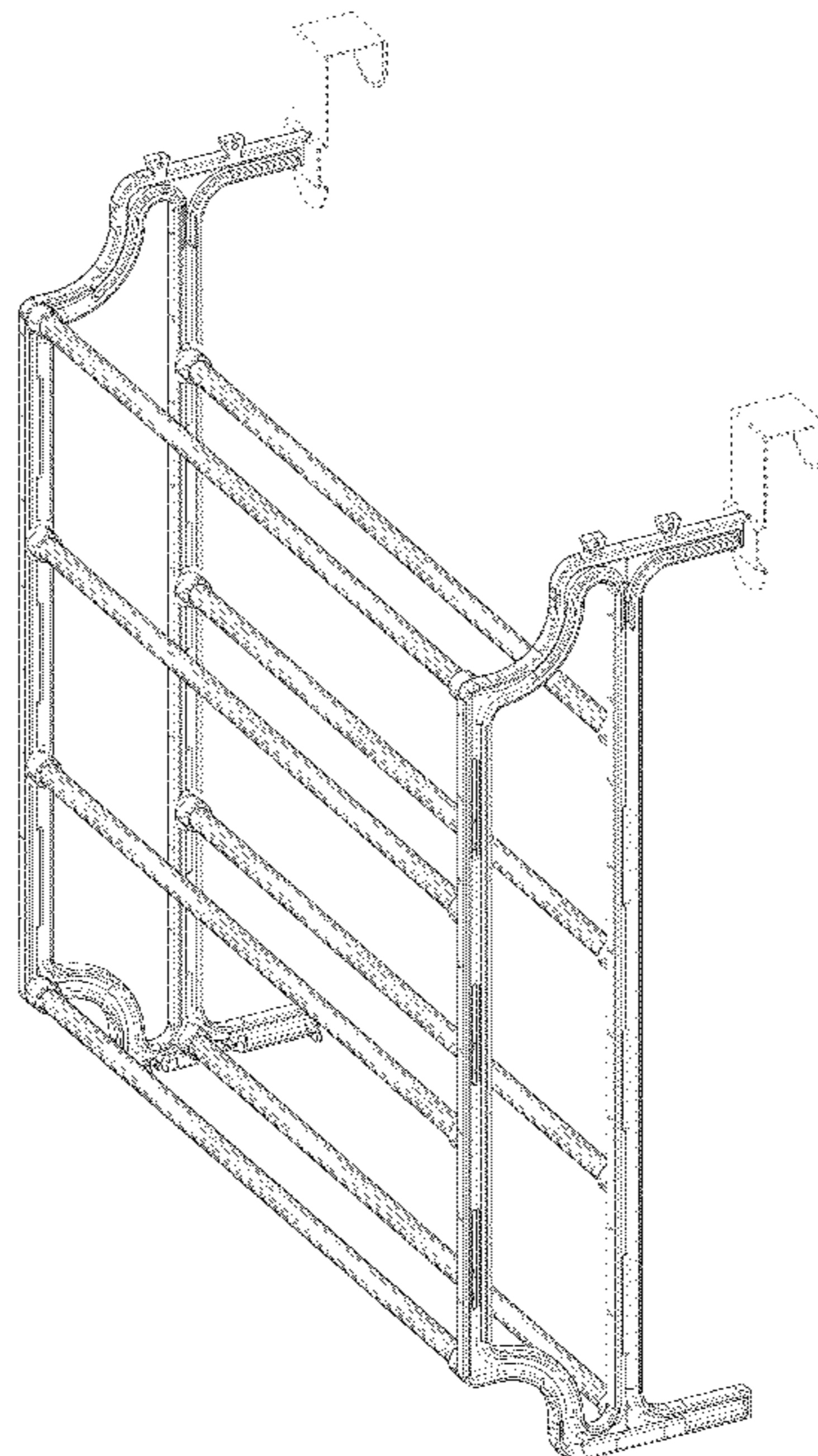
The ornamental design for a shoe rack, as shown and described.

DESCRIPTION

FIG. 1 is a top, front, and right side perspective view of a shoe rack showing our new design;
 FIG. 2 is a right side view thereof, the left side view being a mirror image thereof;
 FIG. 3 is a top view thereof;
 FIG. 4 is a bottom view thereof;
 FIG. 5 is a front view thereof;
 FIG. 6 is a rear view thereof; and,
 FIG. 7 is a reduced additional perspective view thereof.
 The broken-line disclosure in the views represents environmental structure which forms no part of the claimed design.

1 Claim, 7 Drawing Sheets

- (56) **References Cited**
U.S. PATENT DOCUMENTS
- | | | |
|-----------|---------|-------------|
| 139,415 A | 5/1873 | Mulfoed |
| 287,550 A | 10/1883 | Klappebigh |
| 354,412 A | 12/1886 | Harbington |
| 377,728 A | 2/1888 | Carney |
| 382,434 A | 5/1888 | Niehoff |
| 398,468 A | 2/1889 | Stike |
| 419,349 A | 1/1890 | Pickett |
| 493,289 A | 3/1893 | Peck et al. |
| 507,137 A | 10/1893 | Kelliher |



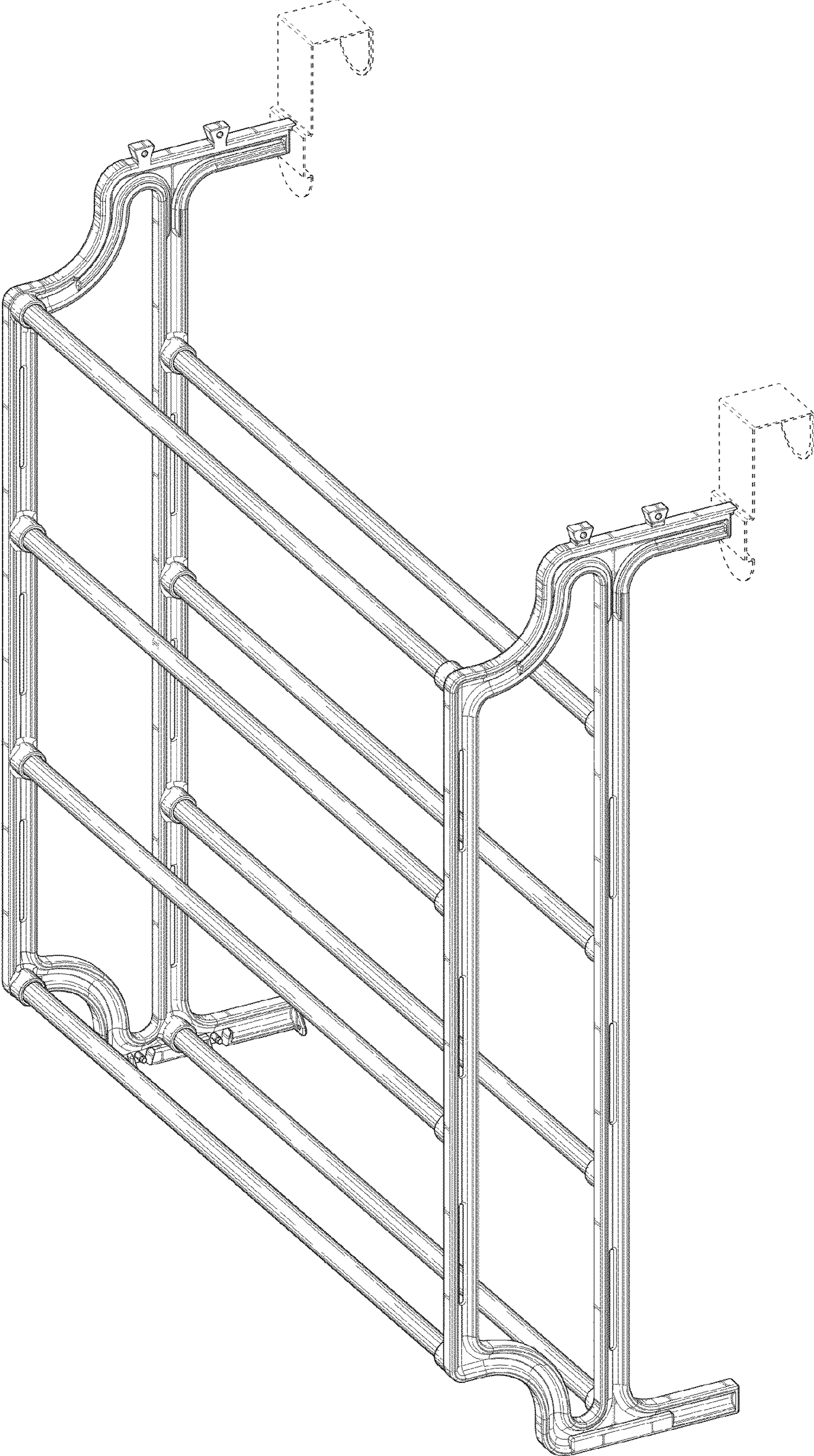


FIG. 1

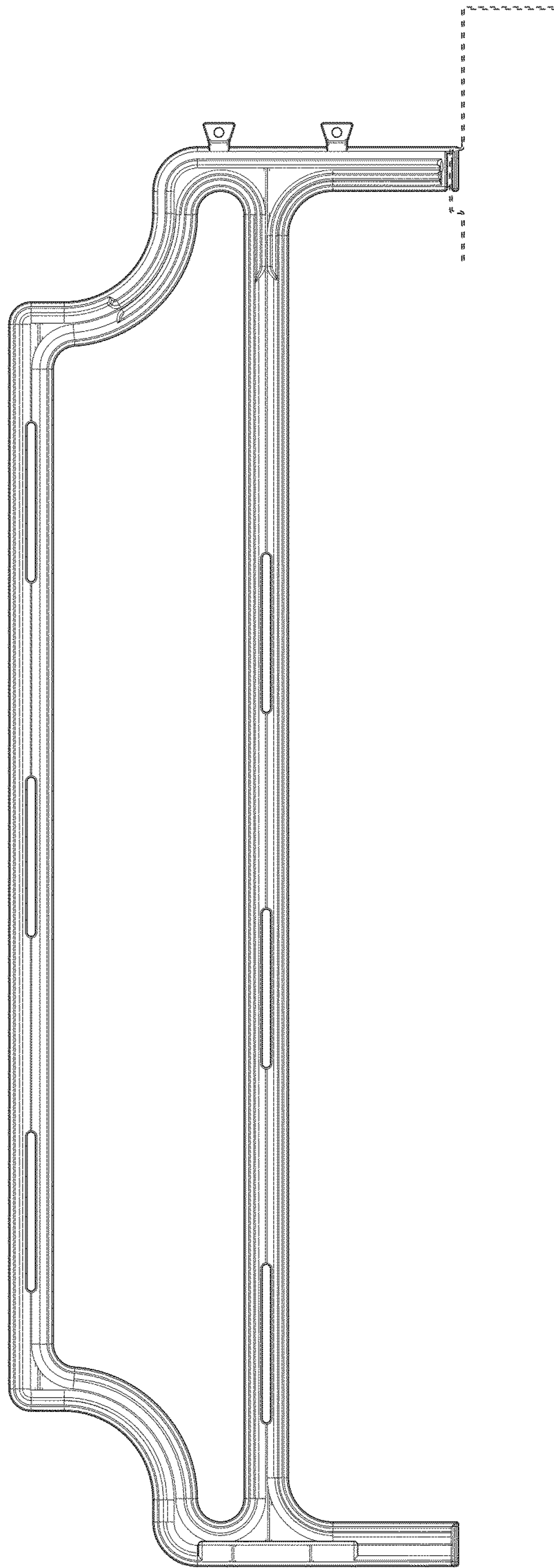


FIG. 2

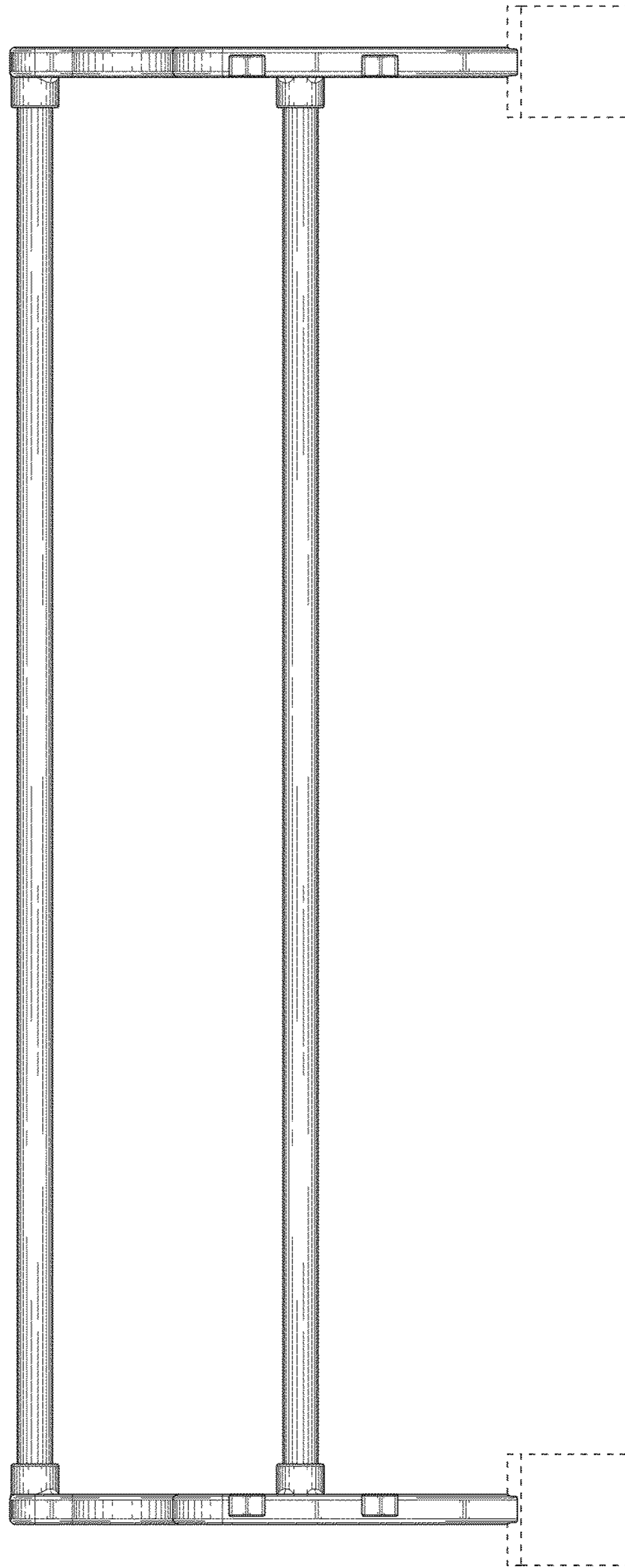


FIG. 3

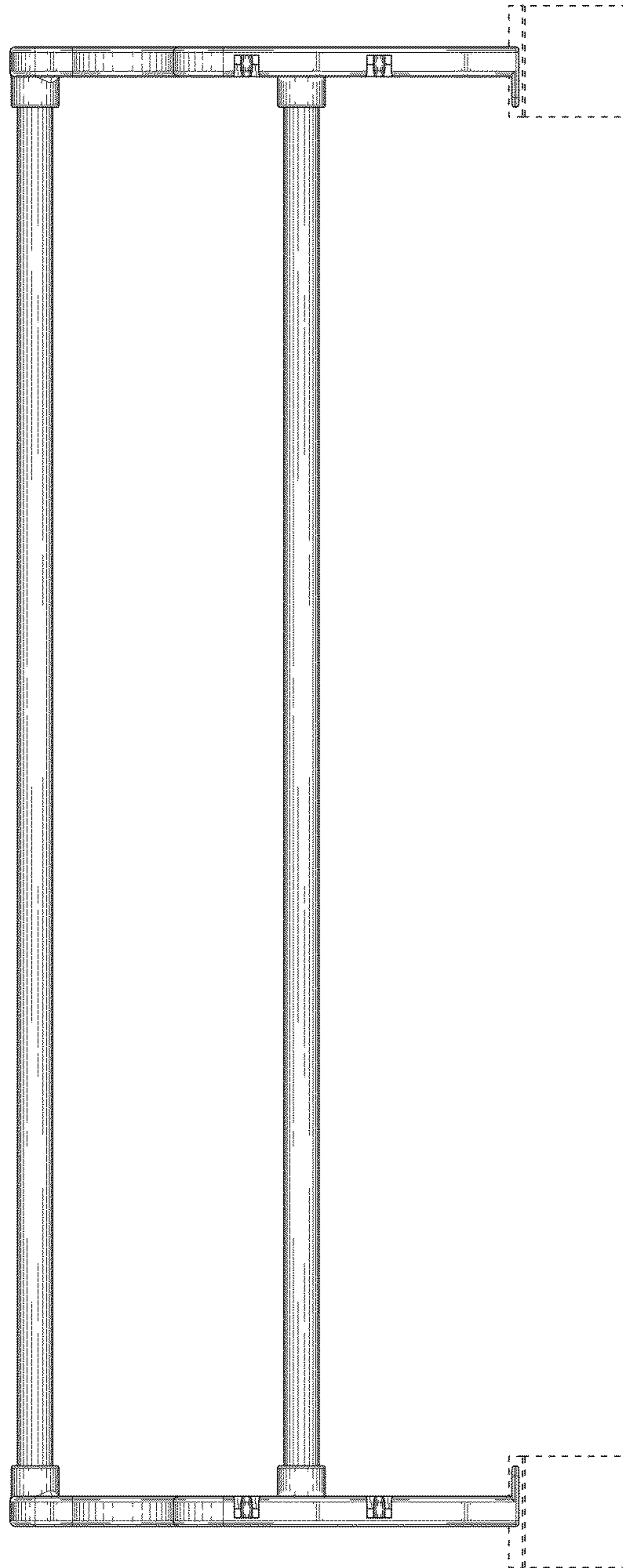


FIG. 4

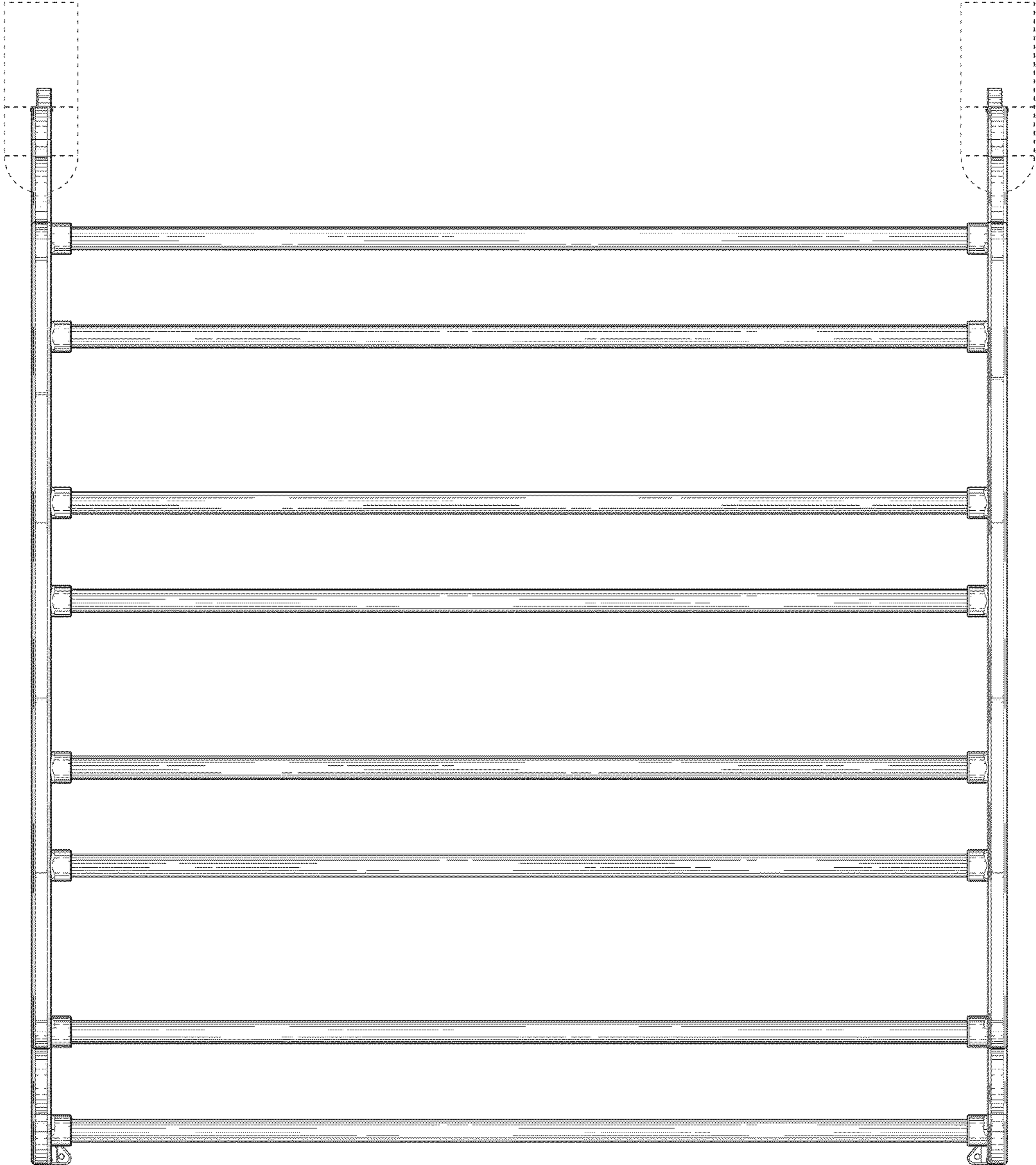


FIG. 5

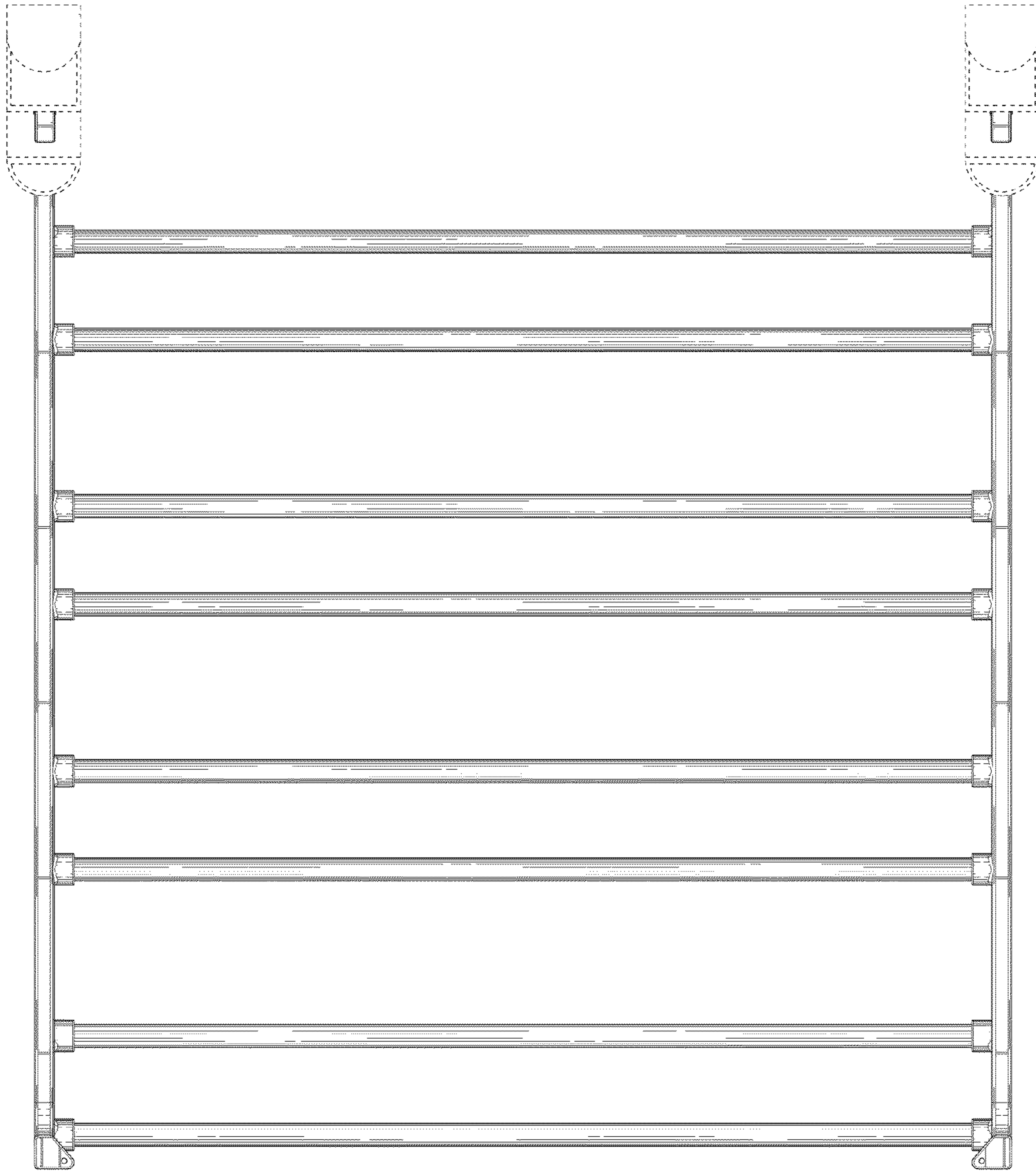


FIG. 6

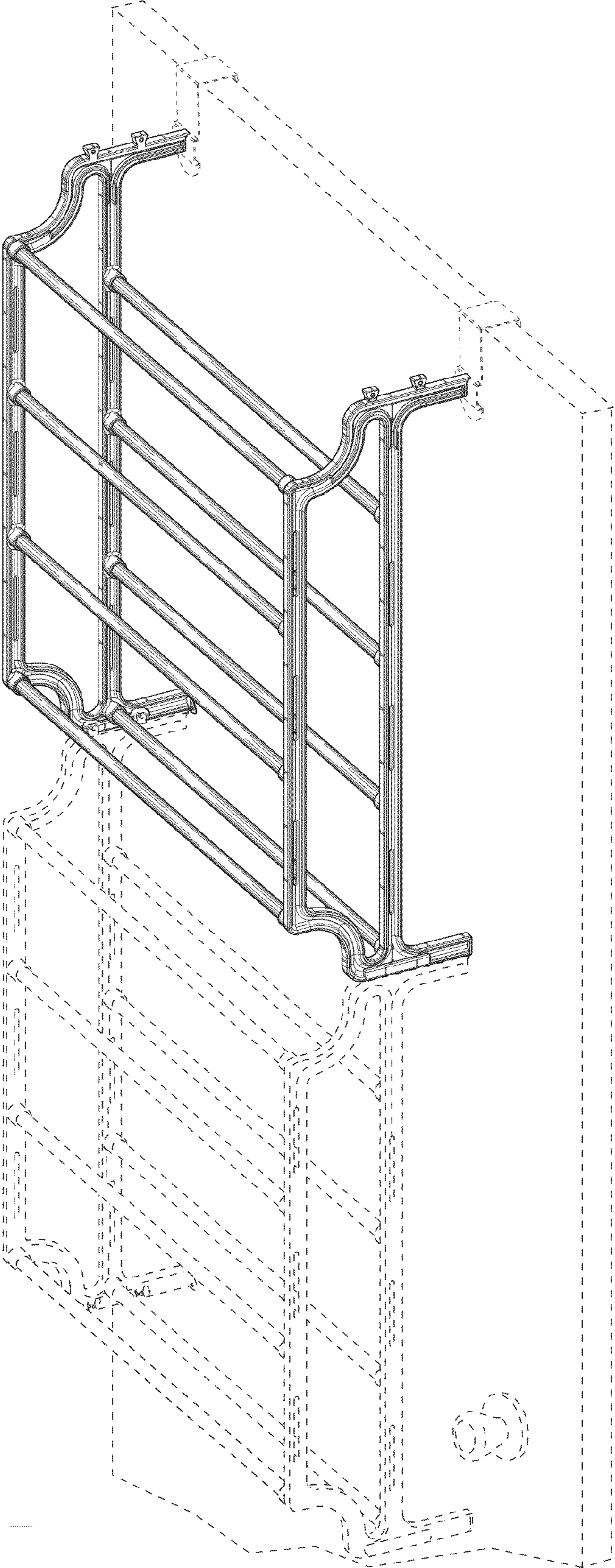


FIG. 7