



US00D723293S

(12) **United States Design Patent**
Goodman et al.

(10) **Patent No.:** **US D723,293 S**
(45) **Date of Patent:** **** Mar. 3, 2015**

(54) **BASKET**

(71) Applicant: **Spectrum Diversified Designs, Inc.**,
Streetsboro, OH (US)
(72) Inventors: **Sheldon H. Goodman**, Solon, OH (US);
Phaysouk Xayoiphonh, Akron, OH
(US)

(73) Assignee: **Spectrum Diversified Designs, Inc.**,
Streetsboro, OH (US)

(**) Term: **14 Years**

(21) Appl. No.: **29/479,963**

(22) Filed: **Jan. 22, 2014**

(51) **LOC (10) Cl.** **06-06**

(52) **U.S. Cl.**
USPC **D6/513**

(58) **Field of Classification Search**
USPC D3/304, 306; 206/202, 513, 557;
211/13.1, 41.3, 41.4, 86.01, 88.01,
211/134, 126.1, 181.1; 248/302; 220/485,
220/488; D6/513, 553, 567

See application file for complete search history.

(56) **References Cited**

U.S. PATENT DOCUMENTS

D261,081 S *	10/1981	Nagel	D6/536
D608,574 S *	1/2010	Goodman et al.	D6/513
D613,589 S	4/2010	Goodman et al.	
D613,590 S	4/2010	Goodman et al.	
D618,023 S	6/2010	Goodman et al.	
D668,496 S *	10/2012	Ho et al.	D6/553

* cited by examiner

Primary Examiner — Brian N Vinson

(74) *Attorney, Agent, or Firm* — Benesch Friedlander
Coplan & Aronoff LLP

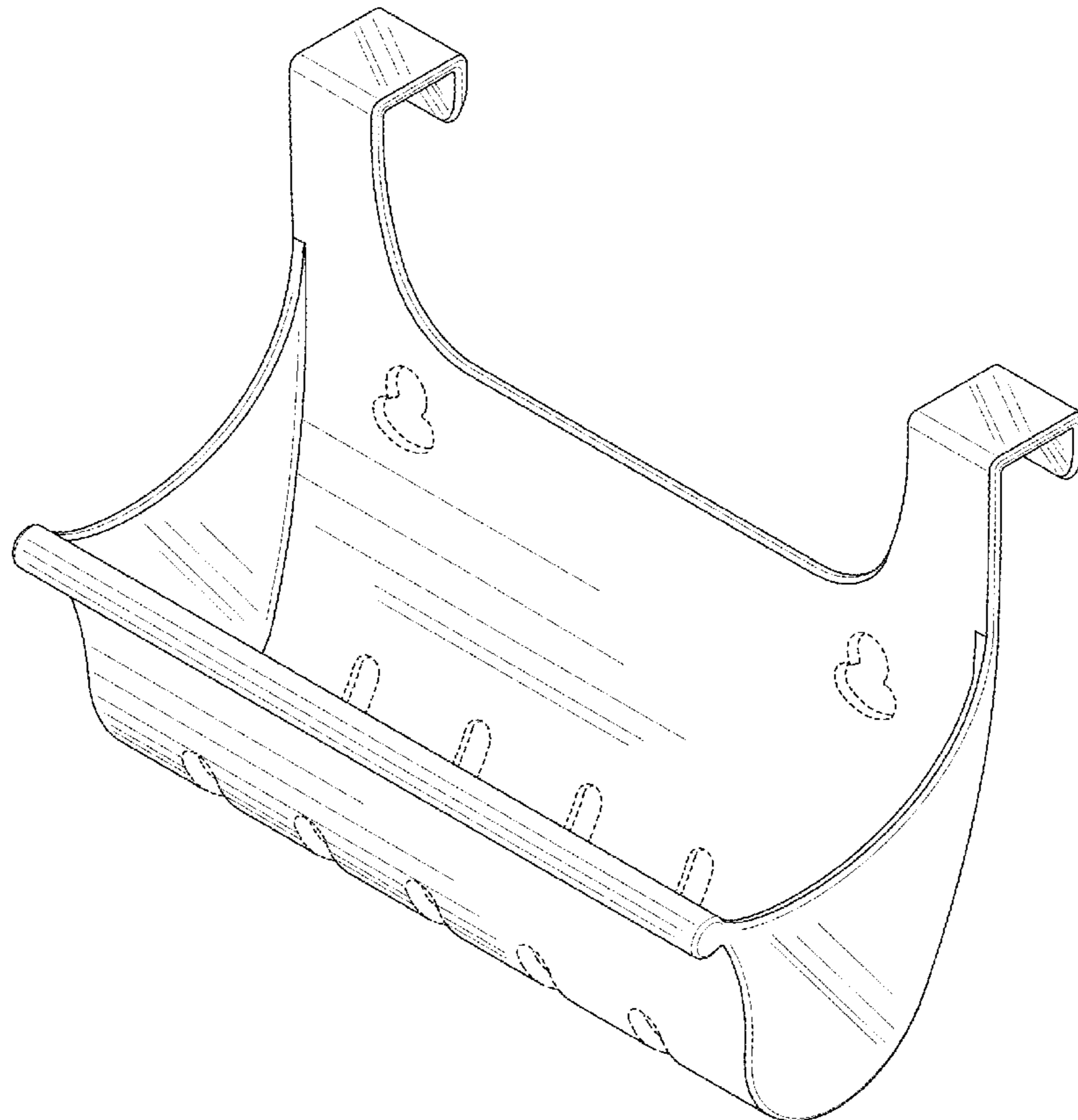
(57) **CLAIM**

What is claimed is the ornamental design for a basket, as shown and described.

DESCRIPTION

FIG. 1 is a perspective view of a basket showing a new design; FIG. 2 is a top view of the basket of FIG. 1; FIG. 3 is a front view of the basket of FIG. 1; FIG. 4 is a side view of the basket of FIG. 1; FIG. 5 is a bottom side view of the basket of FIG. 1; and, FIG. 6 is a rear view of the basket of FIG. 1. The components of the display shown in broken lines illustrate portions of the basket form no part of the claimed design.

1 Claim, 3 Drawing Sheets



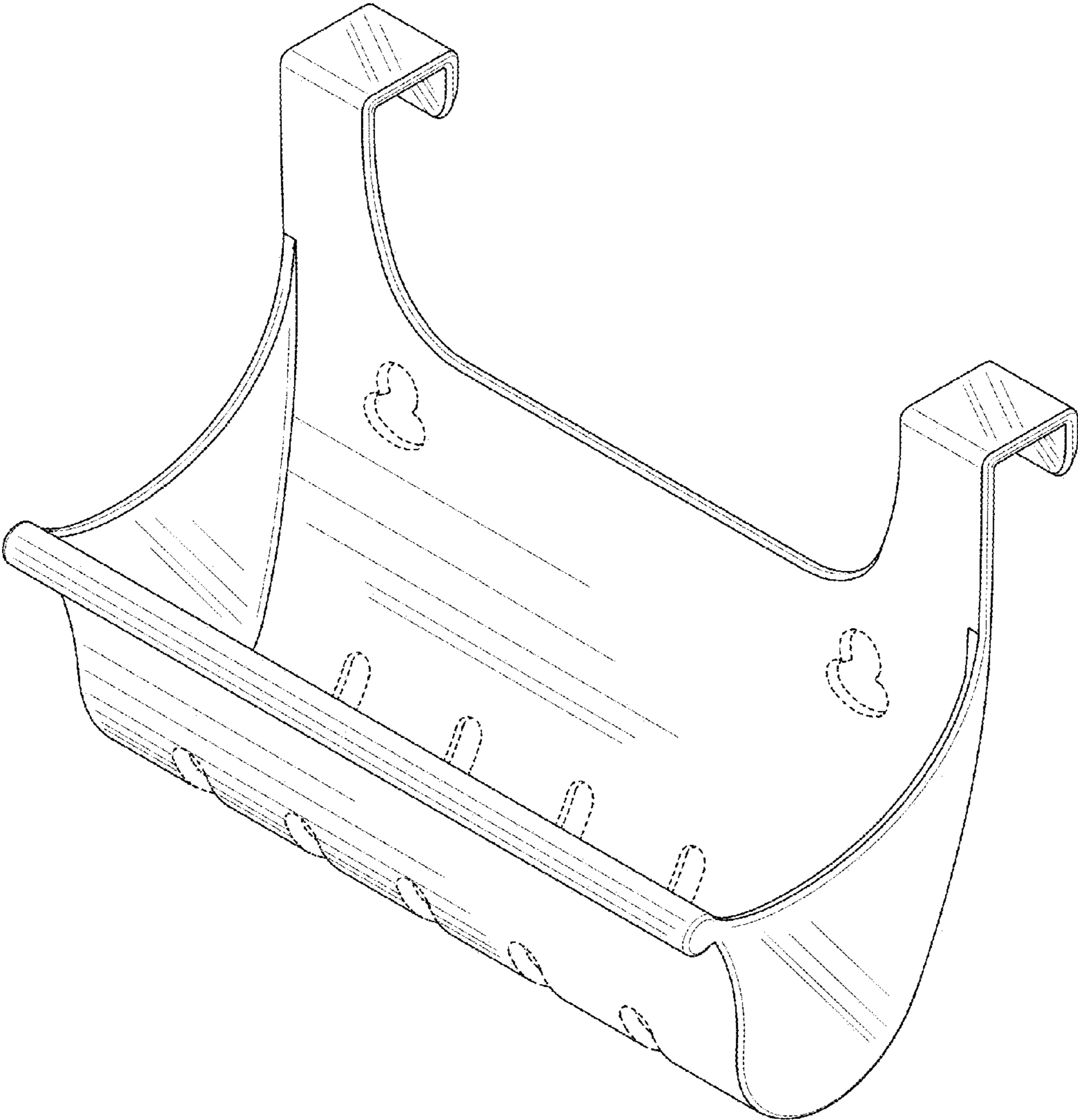


FIG 1

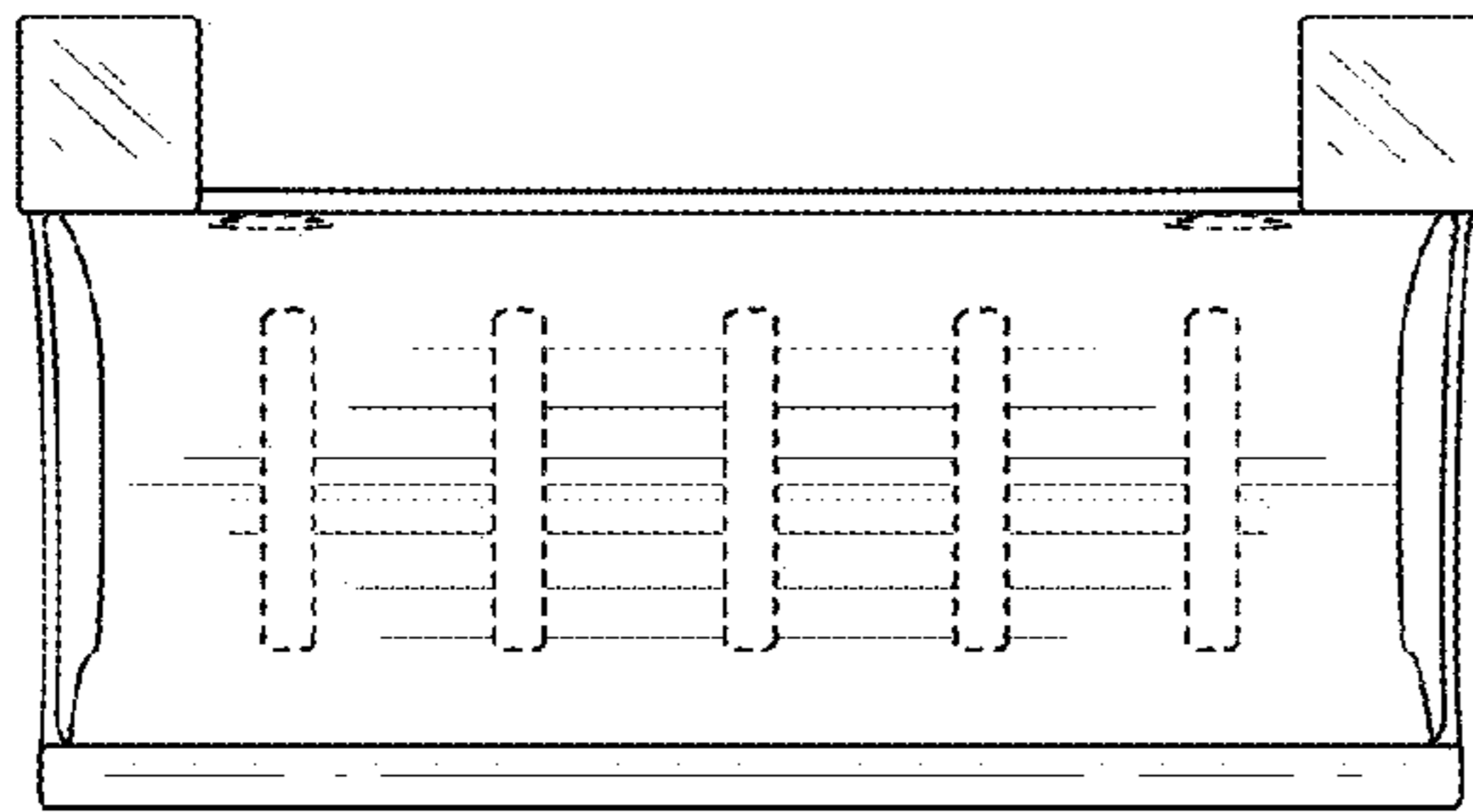


FIG 2

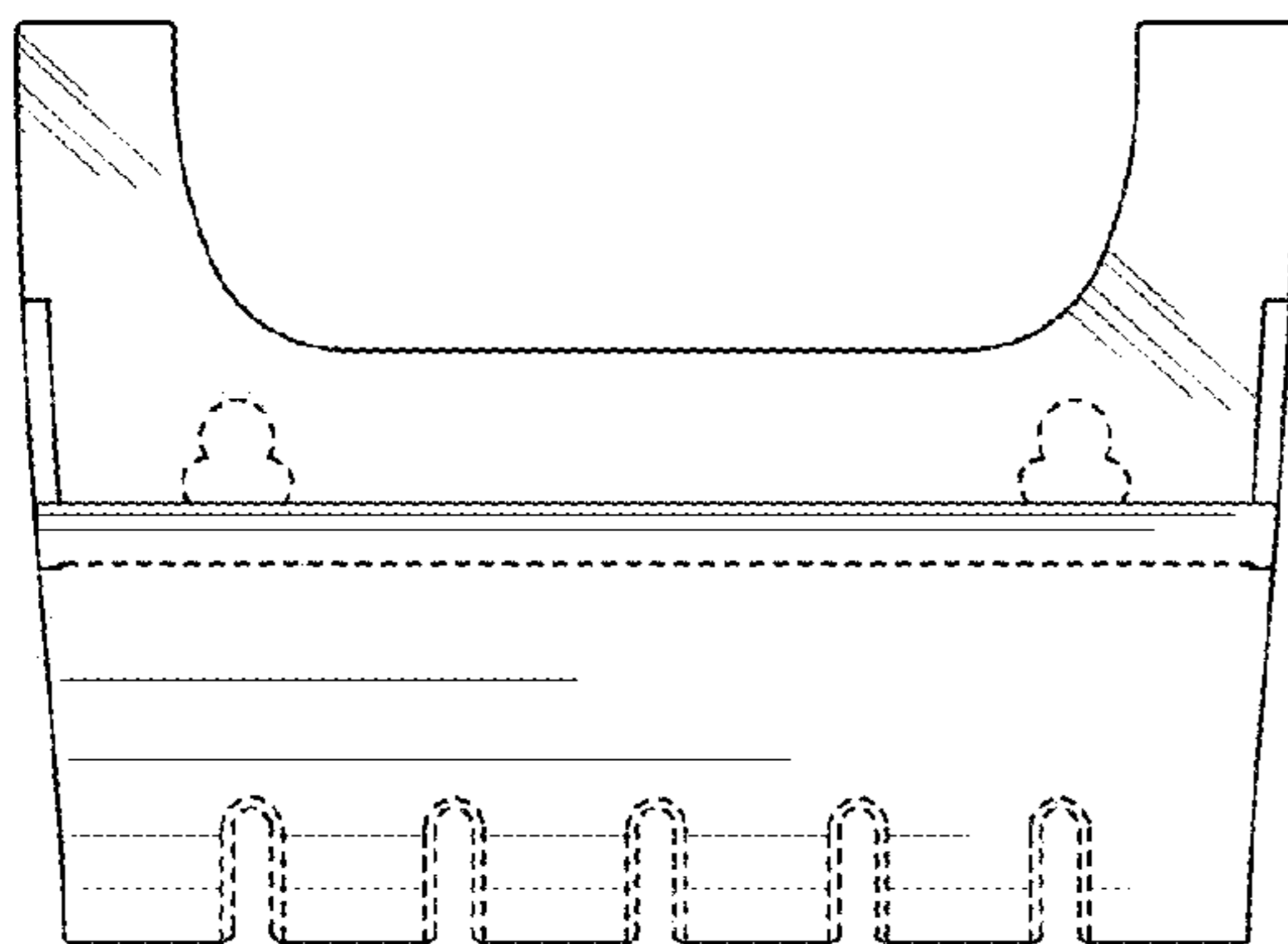


FIG 3

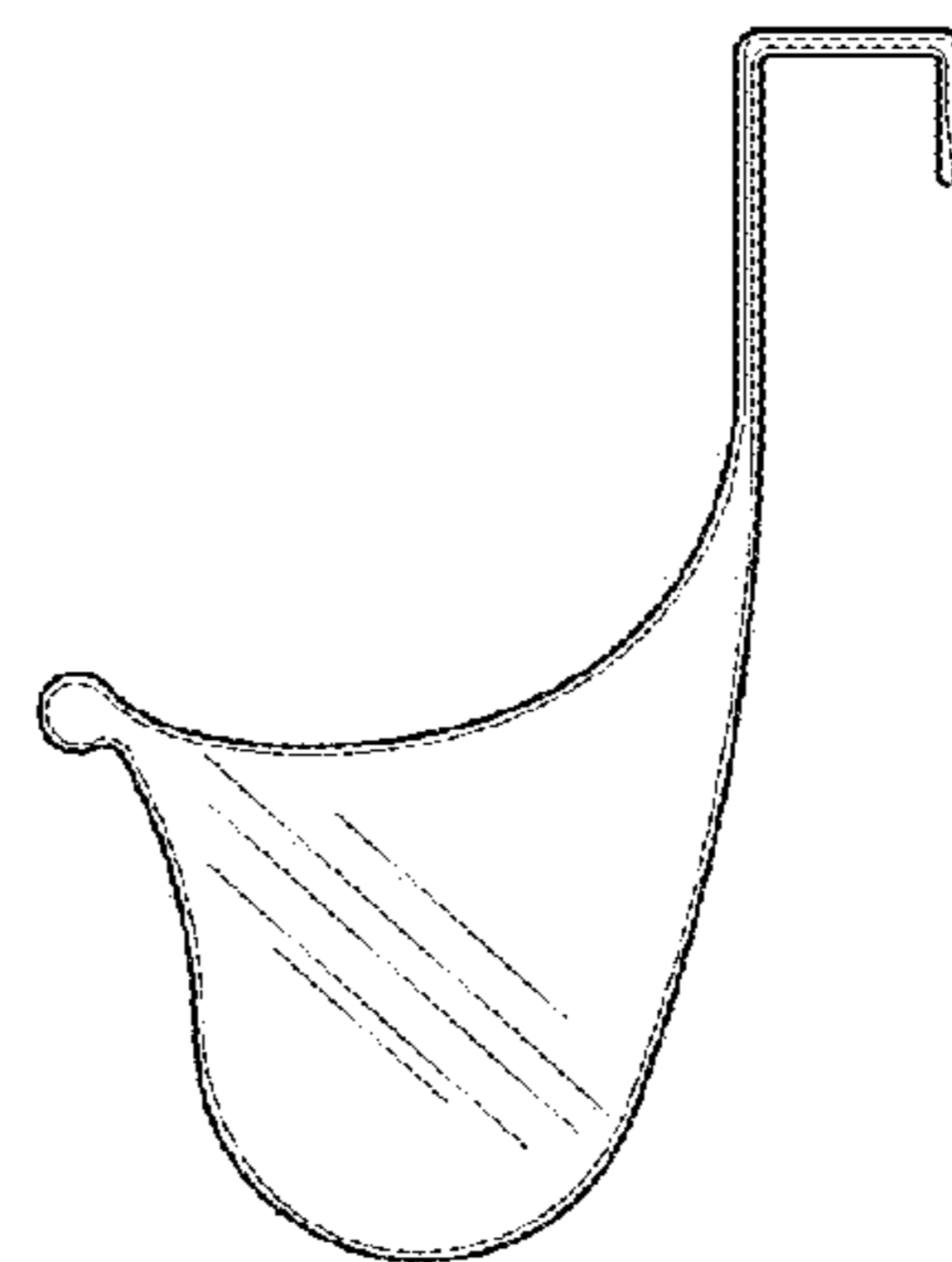


FIG 4

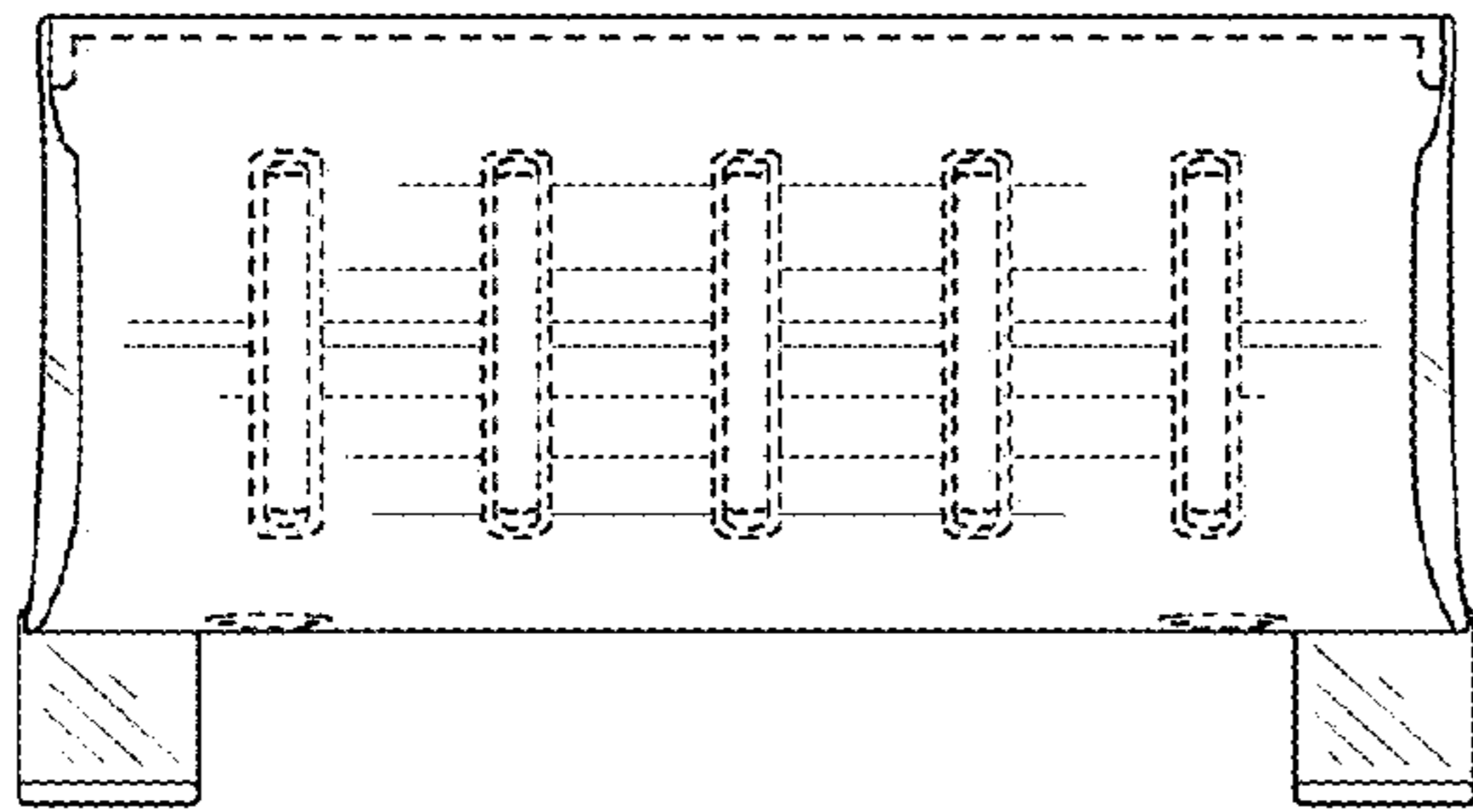


FIG 5

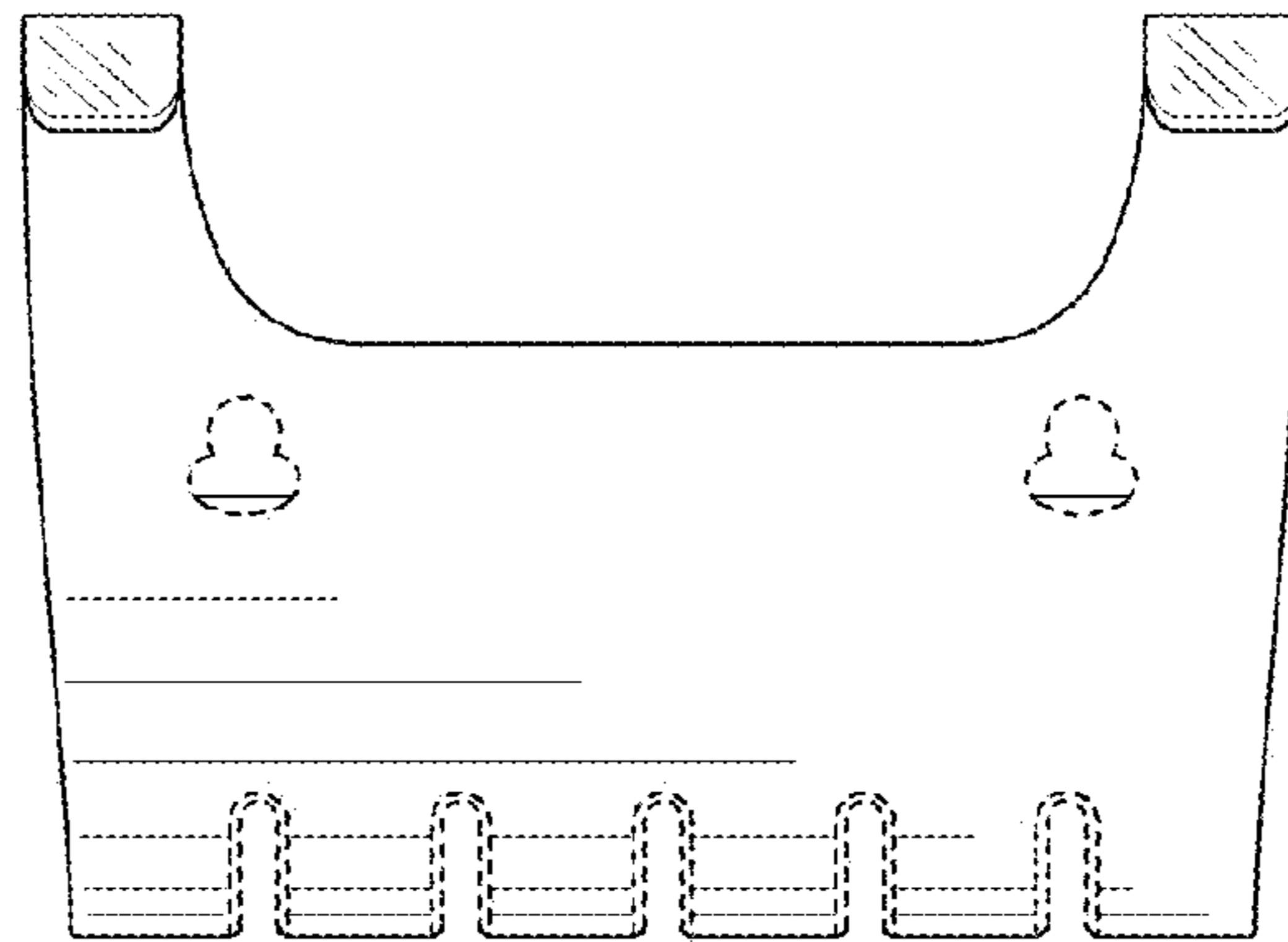


FIG 6