



US00D723291S

(12) **United States Design Patent**
Leonard

(10) **Patent No.:** **US D723,291 S**
(45) **Date of Patent:** **** Mar. 3, 2015**

(54) **NECKTIE HANGER**
(71) Applicant: **Linda Leonard**, Spring Hill, FL (US)
(72) Inventor: **Linda Leonard**, Spring Hill, FL (US)
(**) Term: **14 Years**

5,526,968 A 6/1996 Larson
5,598,957 A * 2/1997 Bell 223/94
6,182,870 B1 * 2/2001 Seissler 223/94
6,196,396 B1 3/2001 Bennett
2,492,226 A1 7/2005 McDaniel
2007/0017941 A1 * 1/2007 Baessler et al. 223/85
2007/0045360 A1 * 3/2007 Grimes 223/85
2014/0197212 A1 * 7/2014 Huffaker 223/85

(21) Appl. No.: **29/498,499**
(22) Filed: **Aug. 5, 2014**
(51) **LOC (10) Cl.** **06-08**
(52) **U.S. Cl.**
USPC **D6/319**
(58) **Field of Classification Search**
CPC A47G 25/28; A47G 25/38; A47G 25/14;
A47G 25/442; A47G 25/483; A47G 25/485;
A47G 25/4023; Y10S 223/04; A47F 5/0006
USPC D6/315-328; 223/85-98; 211/10, 13.1,
211/85.2, 86.01, 87.01, 113
See application file for complete search history.

FOREIGN PATENT DOCUMENTS

GB 1157196 7/1967

* cited by examiner

Primary Examiner — Derrick Holland
Assistant Examiner — Lauren Calve

(57) **CLAIM**

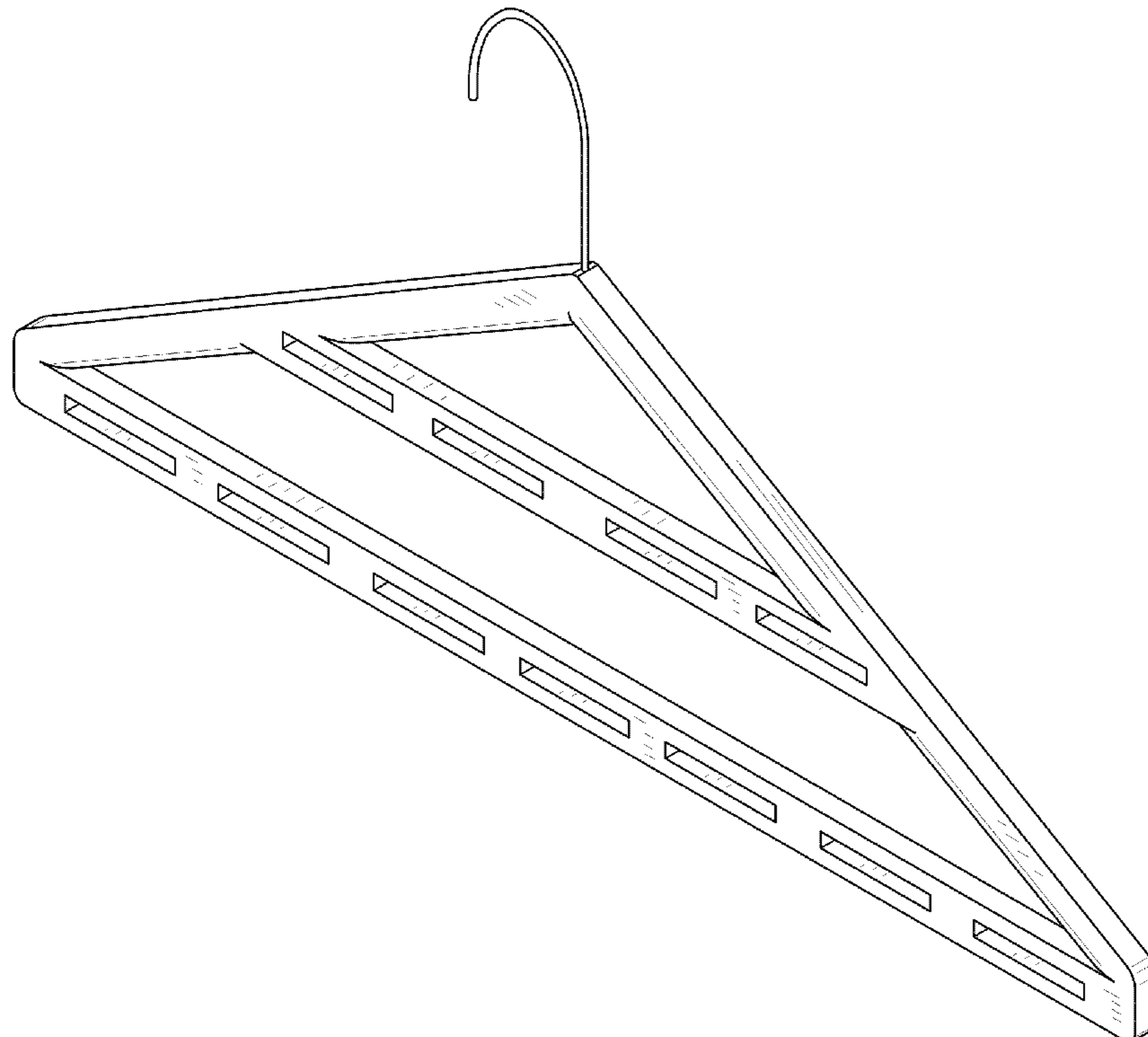
I claim the ornamental design for a necktie hanger, as shown and described.

DESCRIPTION

FIG. 1 is a front view of a necktie hanger.
FIG. 2 is a top view thereof.
FIG. 3 is a bottom view thereof.
FIG. 4 is a left view thereof.
FIG. 5 is a right view thereof; and,
FIG. 6 is a perspective view thereof.

1 Claim, 4 Drawing Sheets

(56) **References Cited**
U.S. PATENT DOCUMENTS
D151,572 S 10/1948 Tomarin
2,605,000 A 7/1952 Tomarin
3,945,500 A 3/1976 Meckstroth
D254,644 S * 4/1980 Abramowitz D6/315
D279,432 S * 7/1985 Webber D6/319



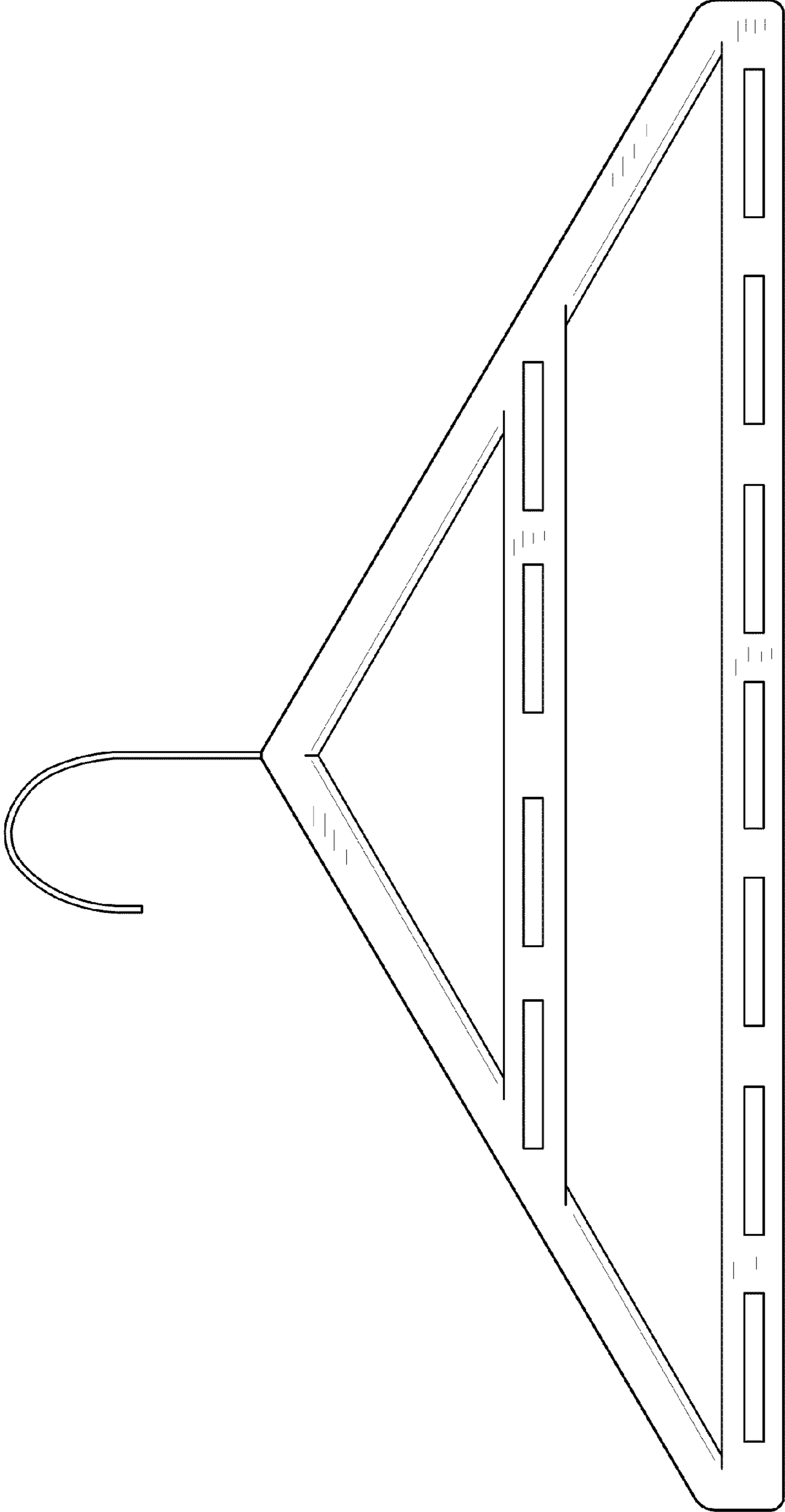


FIG. 1



FIG. 2



FIG. 3



FIG. 4



FIG. 5

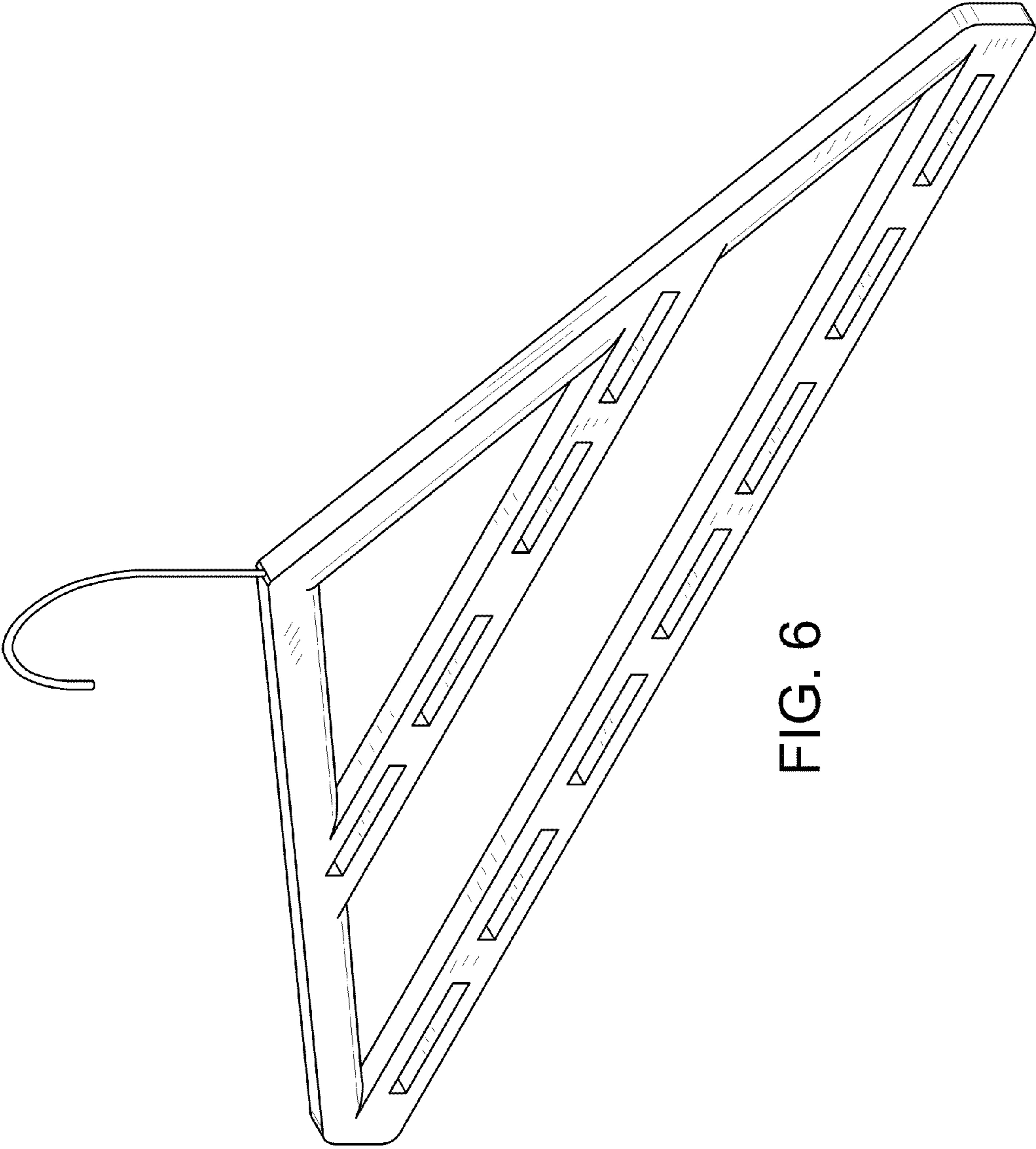


FIG. 6