



US00D723282S

(12) **United States Design Patent**
Fretwell et al.

(10) **Patent No.:** **US D723,282 S**
(45) **Date of Patent:** **** Mar. 3, 2015**

(54) **TOOTHBRUSH HEAD**

6,341,400 B1 1/2002 Kobayashi et al.
6,485,300 B1 11/2002 Muller et al.
D477,465 S * 7/2003 Reilly et al. D4/104

(71) Applicant: **Gosmile, Inc.**, Berkeley, CA (US)

(Continued)

(72) Inventors: **Allison Fretwell**, San Francisco, CA (US); **Lou Lentine**, Chattanooga, TN (US)

FOREIGN PATENT DOCUMENTS

BR 10714858 A2 7/2009
CA 2603114 A1 10/2006

(Continued)

(73) Assignee: **Gosmile, Inc.**, Berkeley, CA (US)

(**) Term: **14 Years**

OTHER PUBLICATIONS

(21) Appl. No.: **29/485,235**

“Advanced Care: World’s First Toothbrush Featuring LED Self Sanitizing Technology on the Brush Head”, BriteBrushUSA, downloaded from the Internet at: <<http://www.britebrushusa.com/advancedcare.html>> (2011).

(Continued)

(22) Filed: **Mar. 17, 2014**

(51) **LOC (10) Cl.** **04-02**

(52) **U.S. Cl.**

USPC **D4/101**; D4/108

(58) **Field of Classification Search**

CPC A46B 5/0095; A46B 7/04; A46B 7/042; A46B 7/044; A46B 9/04; A46B 9/06; A46B 15/0032; A46B 2200/1066

USPC D4/101, 104–112, 114; 15/110, 167.1, 15/167.2, 176.1, 176.6, 188; 132/308–311; 601/139, 141, 142

See application file for complete search history.

Primary Examiner — Melanie H Tung

Assistant Examiner — Lavone D Tabor

(74) *Attorney, Agent, or Firm* — Marshall, Gerstein & Borun LLP

(57)

CLAIM

The ornamental design for a toothbrush head, as shown and described.

DESCRIPTION

FIG. 1 is a front, right-side, and top view of a toothbrush head embodying the design.

FIG. 2 is a front view of the toothbrush head.

FIG. 3 is a rear view of the toothbrush head.

FIG. 4 is a right-side view of the toothbrush head.

FIG. 5 is a left side view of the toothbrush head.

FIG. 6 is a top view of the toothbrush head; and,

FIG. 7 is a bottom view of the toothbrush head.

The broken lines show the boundaries of the claimed design and elements of the toothbrush head that form no part of the claimed design.

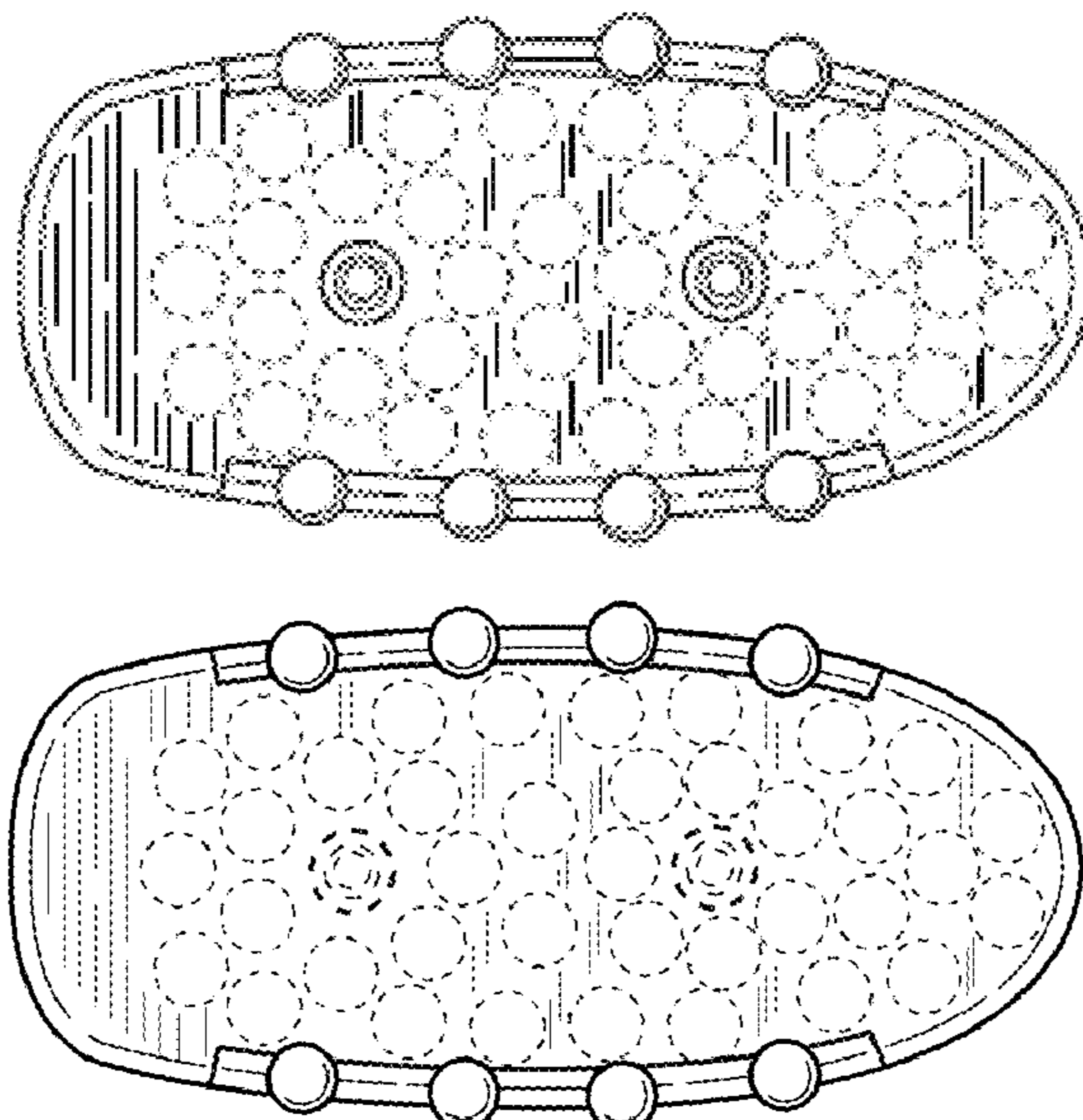
(56)

References Cited

U.S. PATENT DOCUMENTS

4,716,614 A 1/1988 Jones et al.
5,115,533 A 5/1992 Hukuba
5,673,451 A 10/1997 Moore et al.
5,704,087 A 1/1998 Strub
5,737,792 A * 4/1998 Quigless 15/167.1
5,813,855 A 9/1998 Crisio, Jr.
D420,804 S * 2/2000 Juhlin et al. D4/104
6,026,828 A 2/2000 Altshuler
6,154,912 A 12/2000 Li
6,237,183 B1 * 5/2001 Fischer 15/167.1

1 Claim, 4 Drawing Sheets



(56)

References Cited

U.S. PATENT DOCUMENTS

6,616,451 B1 9/2003 Rizolu et al.
 6,623,272 B2 9/2003 Clemans
 6,752,627 B2 6/2004 Lin
 6,862,771 B1 3/2005 Muller
 6,902,397 B2 6/2005 Farrell et al.
 6,926,532 B1 8/2005 Brattesani
 6,954,961 B2 10/2005 Ferber et al.
 7,261,558 B2 8/2007 Rizoju et al.
 7,328,708 B2 2/2008 Malak
 D565,843 S * 4/2008 Mackintosh D4/104
 7,422,598 B2 9/2008 Altshuler et al.
 7,467,946 B2 12/2008 Rizoju et al.
 D614,868 S * 5/2010 Goldman et al. D4/104
 7,748,070 B2 7/2010 Chan et al.
 8,137,109 B2 3/2012 Gatzemeyer et al.
 8,201,295 B2 6/2012 Gatzemeyer et al.
 8,214,958 B2 7/2012 Pinyayev et al.
 8,240,312 B2 8/2012 Feuerstein et al.
 8,424,144 B2 4/2013 Nanda
 8,429,783 B2 4/2013 Russell et al.
 D698,555 S * 2/2014 Nanda D4/108
 2004/0155201 A1 8/2004 Russell et al.
 2005/0064371 A1 3/2005 Soukos et al.
 2005/0221251 A1 10/2005 Soukos et al.
 2005/0267451 A1 12/2005 Black
 2005/0271997 A1 12/2005 Mikami et al.
 2006/0183071 A1 8/2006 Hsuch
 2006/0222600 A1 10/2006 Pinyayev
 2006/0223024 A1 10/2006 Hochman
 2006/0283478 A1 12/2006 Avila et al.
 2007/0111167 A1 5/2007 Russell et al.
 2007/0131241 A1 6/2007 Nanda
 2007/0143938 A1 6/2007 McDougall
 2008/0060154 A1 3/2008 Jansheski
 2008/0131834 A1 6/2008 Shepherd et al.
 2008/0196184 A1 8/2008 Mary T.
 2008/0286713 A1 11/2008 Nanda
 2009/0148808 A1 6/2009 Alexander et al.
 2009/0238778 A1 9/2009 Mordas et al.
 2010/0043161 A1 2/2010 Tanuma
 2011/0126370 A1 6/2011 Reuben
 2011/0162155 A1 7/2011 Wai
 2011/0277256 A1 11/2011 Jo et al.
 2011/0296643 A1 12/2011 Shepherd et al.
 2012/0096657 A1 4/2012 So et al.
 2012/0137454 A1 6/2012 Huy et al.
 2012/0258053 A1 10/2012 Patel et al.
 2012/0270183 A1 10/2012 Patel et al.
 2013/0117950 A1 5/2013 Kim

FOREIGN PATENT DOCUMENTS

CN 2090244 U 12/1991
 CN 2384592 Y 6/2000
 CN 2779949 Y 5/2006
 CN 2792296 Y 7/2006
 CN 2838378 Y 11/2006
 CN 2877417 Y 3/2007
 CN 201319957 Y 10/2009
 CN 201333107 Y 10/2009
 CN 101606783 A 12/2009
 CN 201393679 Y 2/2010
 CN 201398630 Y 2/2010
 CN 101683288 A 3/2010
 CN 201468422 U 5/2010
 CN 101856175 A 10/2010
 CN 201755170 U 3/2011
 CN 201790236 U 4/2011
 CN 201790238 U 4/2011
 CN 201798223 U 4/2011
 CN 102121628 A 7/2011
 CN 201899066 U 7/2011

CN 201905446 U 7/2011
 CN 201977074 U 9/2011
 CN 202146048 U 2/2012
 CN 102379751 A 3/2012
 CN 102429458 A 5/2012
 CN 202286871 U 7/2012
 CN 202341232 U 7/2012
 CN 202375397 U 8/2012
 CN 102793368 A 11/2012
 CN 202515819 U 11/2012
 CN 202526018 U 11/2012
 CN 202526334 U 11/2012
 CN 202552659 U 11/2012
 CN 202552694 U 11/2012
 CN 102813371 A 12/2012
 CN 202637163 U 1/2013
 DE 29908517 U1 12/1999
 DE 202008006920 U1 9/2008
 EP 1663058 A2 6/2006
 EP 1792581 B1 3/2011
 EP 1364594 B1 1/2012
 JP 2241406 9/1990
 JP 2277407 A 11/1990
 JP 2003047528 A 2/2003
 JP 2006068361 A 3/2006
 JP 2011194181 A 10/2011
 KR 100280204 B1 1/2001
 KR 2004013186 A 2/2004
 KR 2007051986 A 5/2007
 KR 2009022742 A 3/2009
 KR 942722 B1 2/2010
 KR 20100079228 A 7/2010
 KR 201100232 U 1/2011
 KR 2011052843 A 5/2011
 KR 1166065 B1 7/2012
 KR 2012072505 A 7/2012
 RU 2098993 C1 12/1997
 RU 2174381 C2 10/2001
 RU 2183439 C2 6/2002
 RU 2316243 C2 2/2008
 RU 2375989 C1 12/2009
 RU 104465 U 5/2011
 TW 200425857 A 12/2004
 TW 200950721 A 12/2009
 WO WO-95/10243 A1 4/1995
 WO WO-2005/009270 A2 2/2005
 WO WO-2005/023145 A2 3/2005
 WO WO 2005029283 A2 3/2005
 WO WO 2005122948 A1 12/2005
 WO WO-2007/102678 A1 9/2007
 WO WO-2008/019870 A1 2/2008
 WO WO 2008059435 A2 5/2008
 WO WO-2009/047669 A2 4/2009
 WO WO-2009/055943 A1 5/2009
 WO WO-2010127629 A1 11/2010
 WO WO-2013076535 A1 5/2013

OTHER PUBLICATIONS

“UV Toothbrush” from Sharper Image website, downloaded from the Internet at: <<http://www.sharperimage.com/si/view/product/UV-Toothbrush/200770>> (2012).
 Levenstein, LED Toothbrush Shines the Light on Dental Health, InventorSpot.com, downloaded from the Internet at: <http://inventorspot.com/articles/led_toothbrush_shines_light_dental_health_34026> (2009).
 Promedic Pro-Care LED Electric Toothbrush, Procare Co. Ltd., downloaded from the Internet at: <<http://procare21.m.ec21.com/mobile/productDetail.jsp?productId=7170686&groupId=7170662>>. (2014).
 Yamamoto, “A toothbrush to light up your mouth”, cnet.com, downloaded from the Internet at: <<http://www.cnet.com/news/a-toothbrush-to-light-up-your-mouth/>> (Nov. 20, 2006).

* cited by examiner

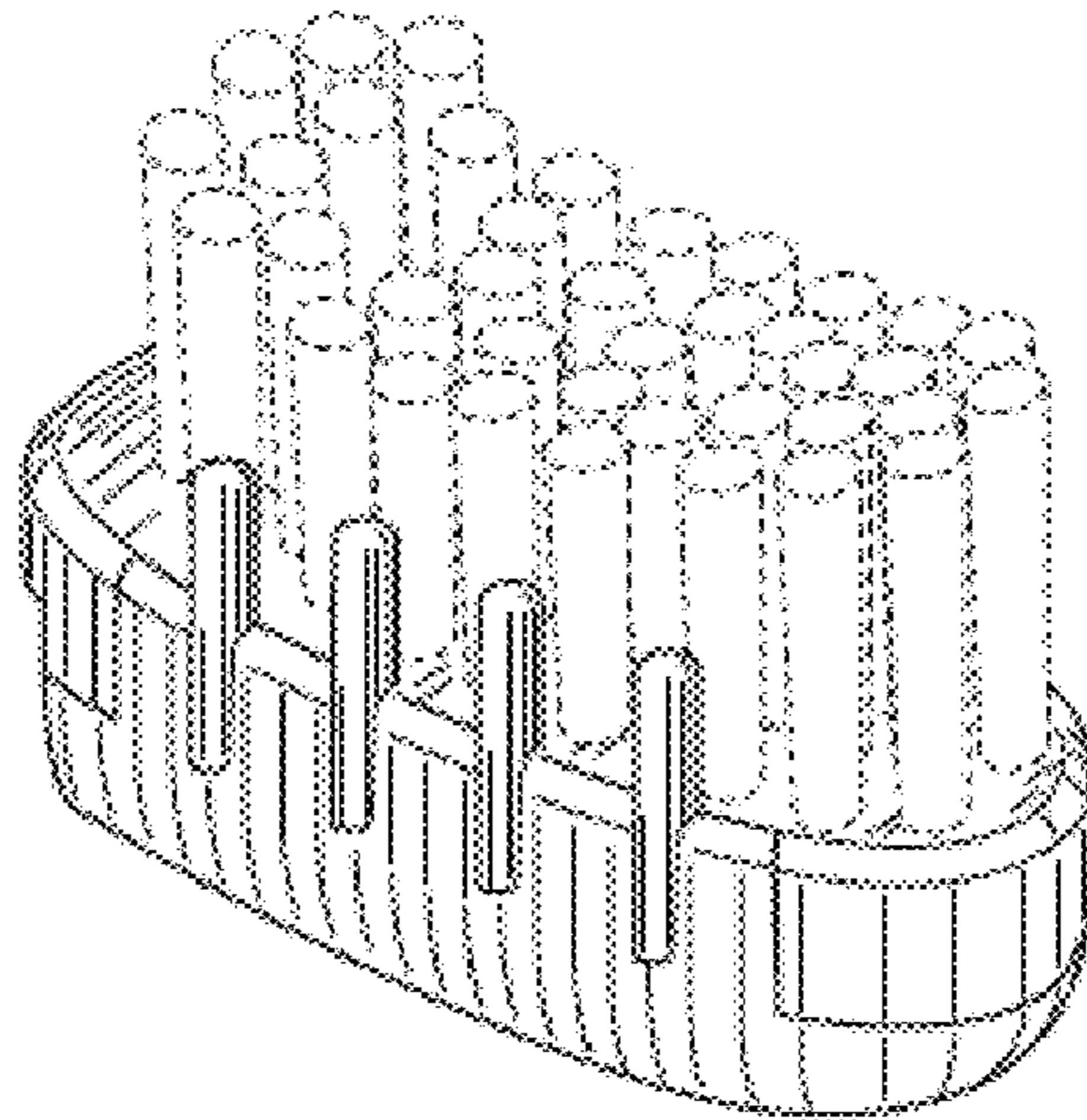


FIG. 1

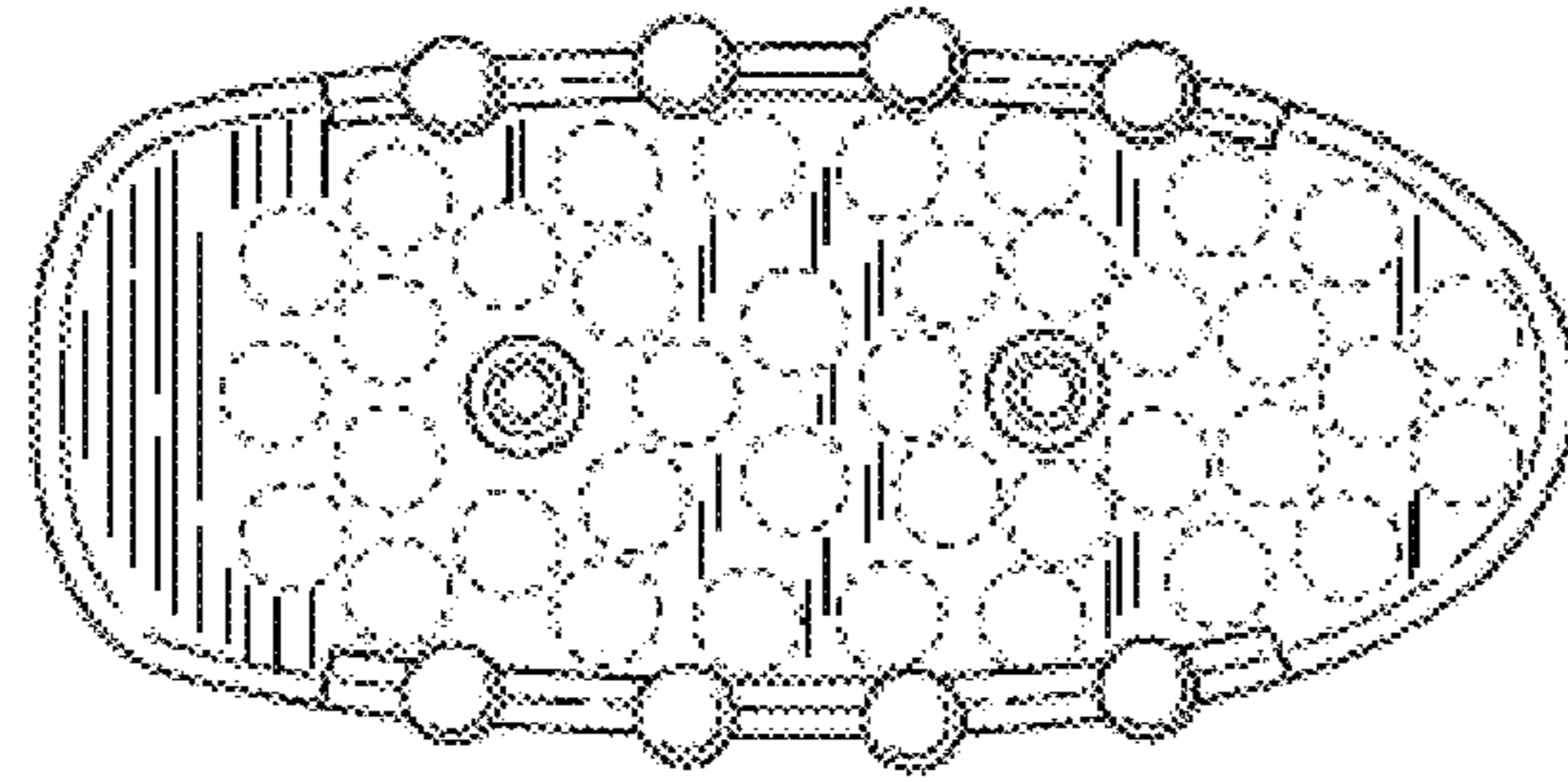


FIG. 2

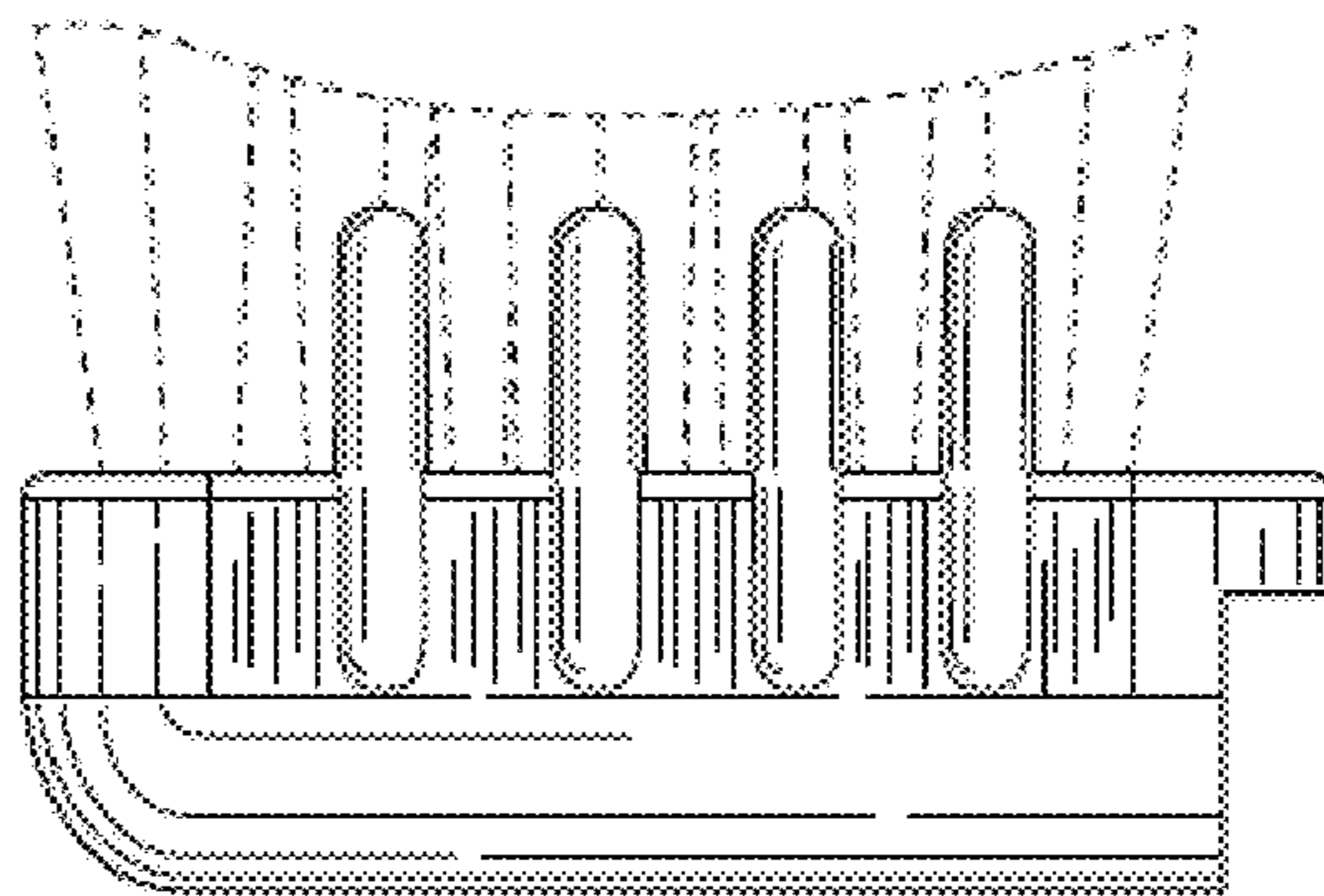


FIG. 3

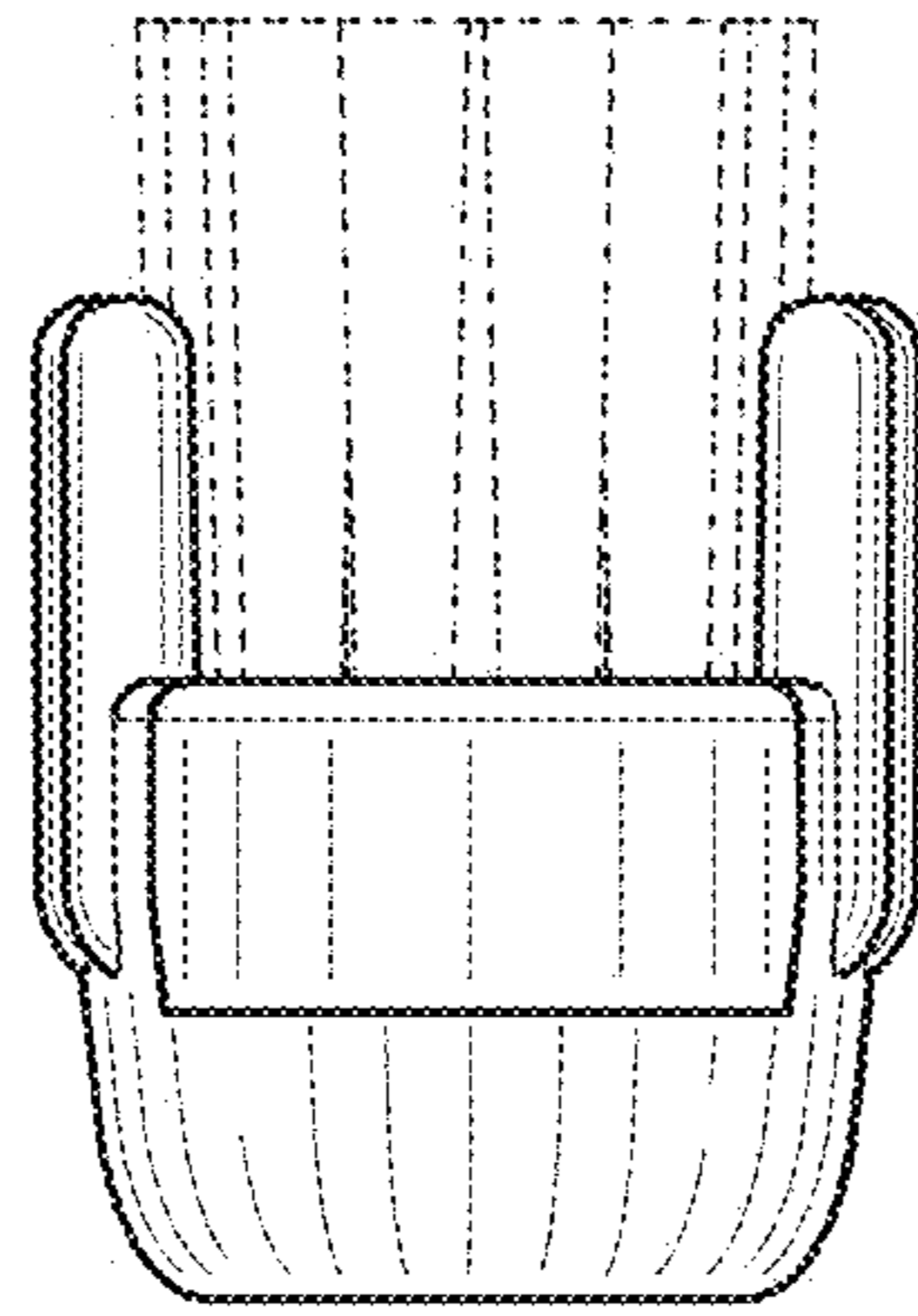


FIG. 4

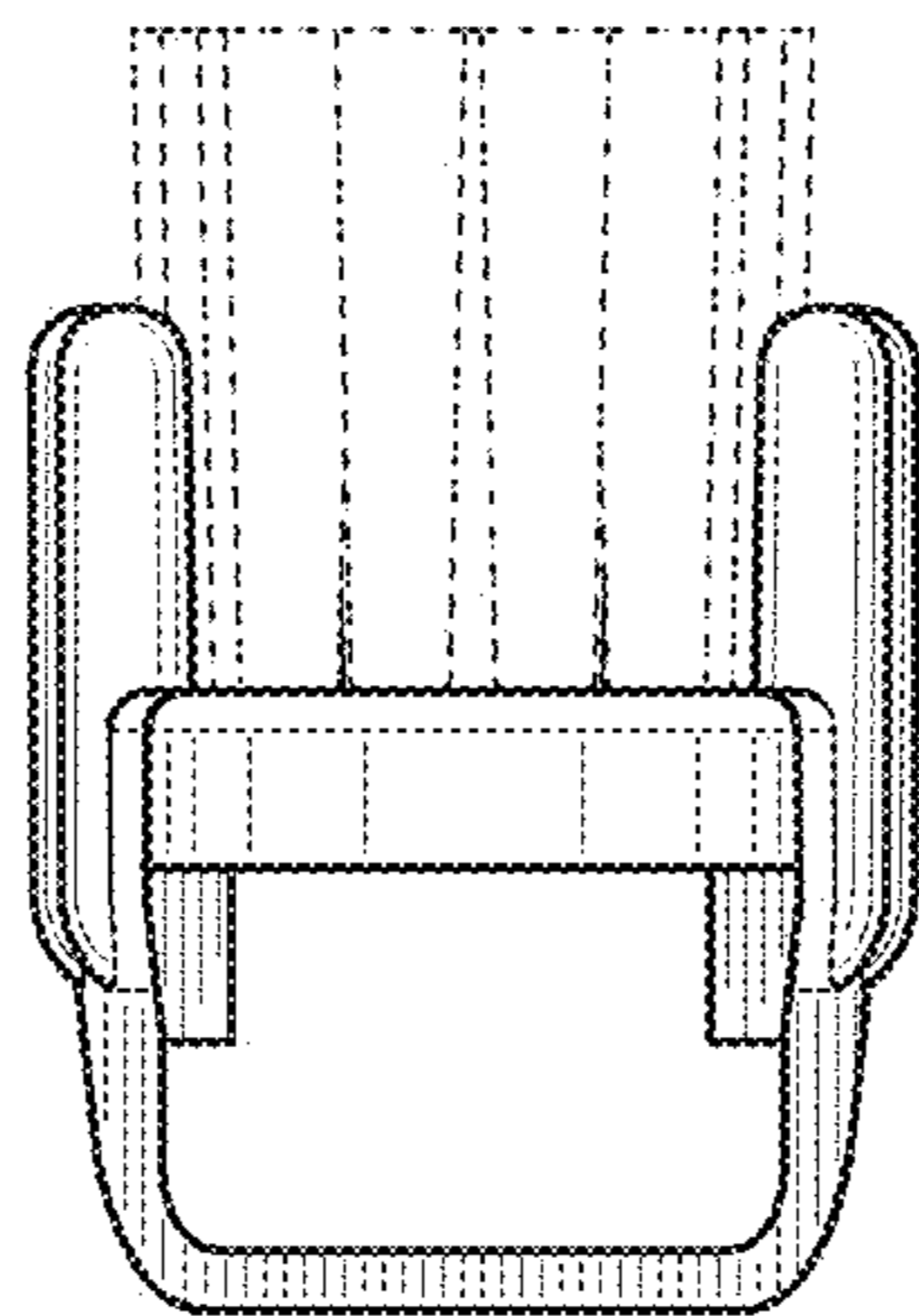


FIG. 5

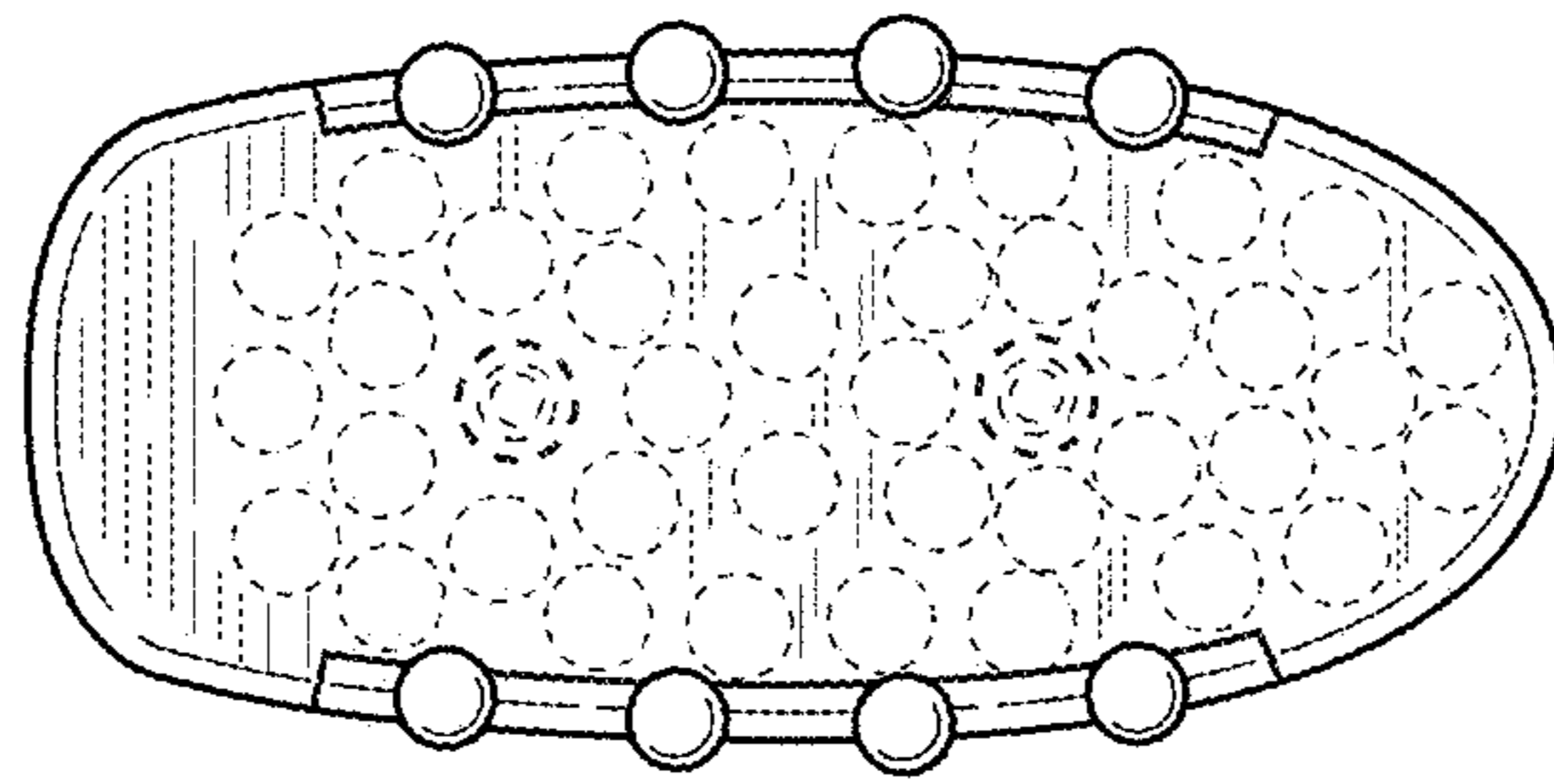


FIG. 6

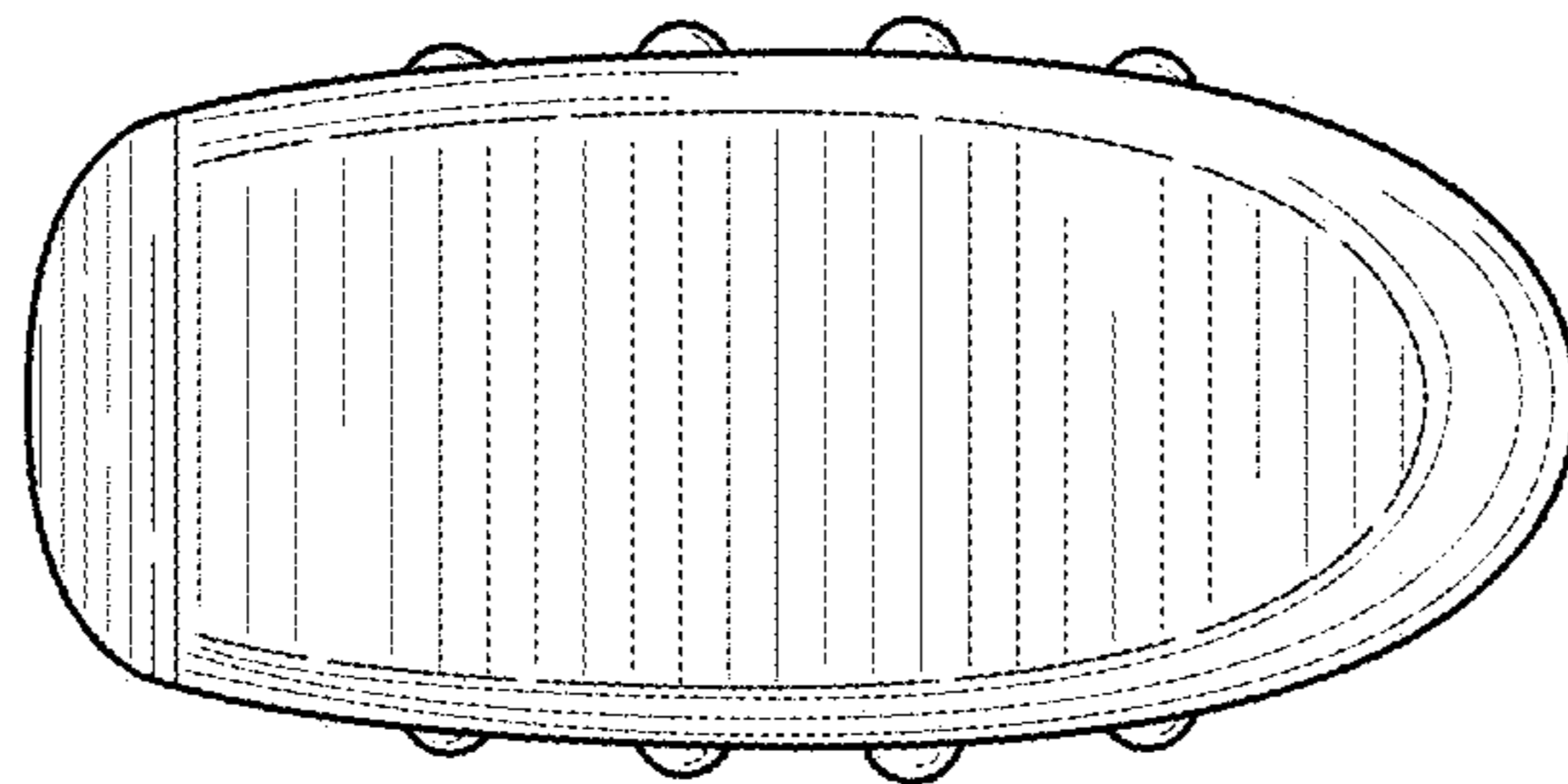


FIG. 7