

US00D723279S

(12) **United States Design Patent**  
**Wax**

(10) **Patent No.:** **US D723,279 S**  
(45) **Date of Patent:** **\*\* Mar. 3, 2015**

(54) **SUITCASE INSERT**

(71) Applicant: **Saul Barry Wax**, Sandia Park, NM (US)  
(72) Inventor: **Saul Barry Wax**, Sandia Park, NM (US)

(\*\*) Term: **14 Years**

(21) Appl. No.: **29/471,346**

(22) Filed: **Oct. 30, 2013**

(51) **LOC (10) Cl.** ..... **03-01**

(52) **U.S. Cl.**  
USPC ..... **D3/318; D7/703**

(58) **Field of Classification Search**

USPC ..... D3/284, 285, 313, 318, 319; D7/601,  
D7/602, 619.1, 701, 702, 703; D9/715,  
D9/719, 737, 738; 53/48.1, 48.2, 49;  
220/500, 507, 509, 510, 515, 516  
See application file for complete search history.

(56) **References Cited**

**U.S. PATENT DOCUMENTS**

|           |      |         |               |         |
|-----------|------|---------|---------------|---------|
| 1,263,343 | A *  | 4/1918  | Beck          | 312/328 |
| D175,722  | S *  | 10/1955 | Graham        | D9/634  |
| 4,106,597 | A *  | 8/1978  | Shook et al.  | 190/110 |
| D263,176  | S *  | 3/1982  | Harrington    | D3/285  |
| D289,825  | S *  | 5/1987  | Humphries     | D3/319  |
| D292,057  | S *  | 9/1987  | Beal          | D7/605  |
| 5,320,223 | A *  | 6/1994  | Allen         | 206/372 |
| D369,678  | S *  | 5/1996  | Hammer et al. | D3/319  |
| D385,108  | S *  | 10/1997 | Tschudy       | D3/262  |
| 7,410,053 | B2 * | 8/2008  | Bowen et al.  | 206/373 |
| D634,541  | S *  | 3/2011  | Gutierrez     | D3/313  |
| D692,177  | S *  | 10/2013 | Angiolillo    | D27/189 |

**OTHER PUBLICATIONS**

<http://www.aroundwine.co.uk/wine-suitcase.html>; EuroCave, UK;  
Jan. 11, 2011.\*  
<http://www.winebottlecases.com/>; May 12, 2011.\*

\* cited by examiner

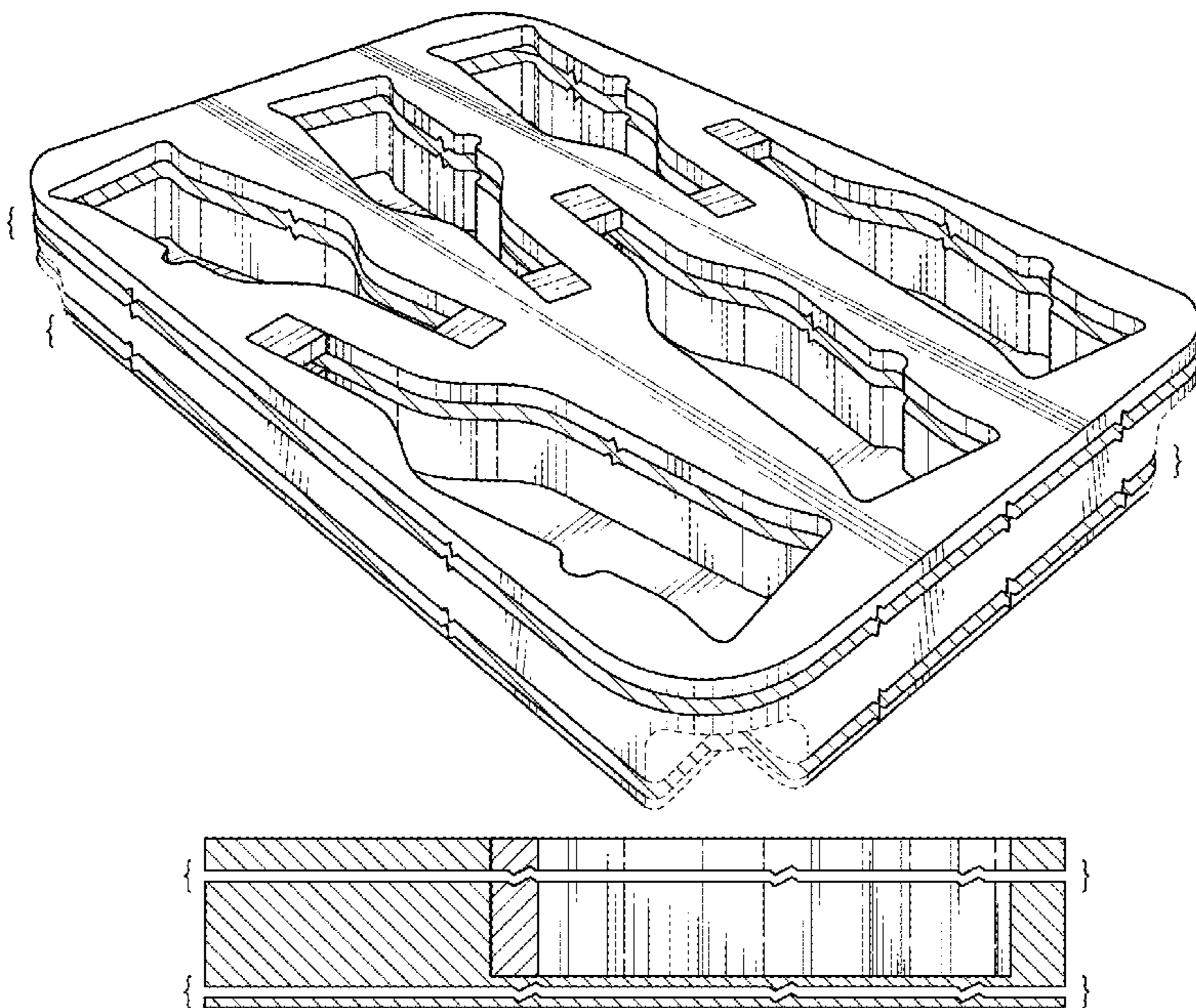
*Primary Examiner* — Stella Reid  
*Assistant Examiner* — Holly E Thurman  
(74) *Attorney, Agent, or Firm* — Peacock Myers, P.C.;  
Janeen Vilven

(57) **CLAIM**  
The ornamental design for a suitcase insert, as shown and described.

**DESCRIPTION**

FIG. 1 is a perspective view of the suitcase insert showing my new design, shown without lid for clarity of disclosure; FIG. 2 is a left side view thereof; FIG. 3 is a right side view thereof; FIG. 4 is a front view thereof; FIG. 5 is a back view thereof; FIG. 6 is a top view thereof; FIG. 7 is a bottom view thereof; FIG. 8 is a top view thereof with lid; FIG. 9 is a perspective view of the suitcase insert in use within a suitcase without lid for clarity of disclosure; and, FIG. 10 is the cross sectional view taken in the direction of lines 10-10 of FIG. 6. The appearance of separation, break lines, and brackets shown in FIGS. 1-5, 8, and 10, form no part of the claimed design except for indicating indeterminate depth. The broken lines are for illustrative purposes only and form no part of the claimed design.

**1 Claim, 7 Drawing Sheets**



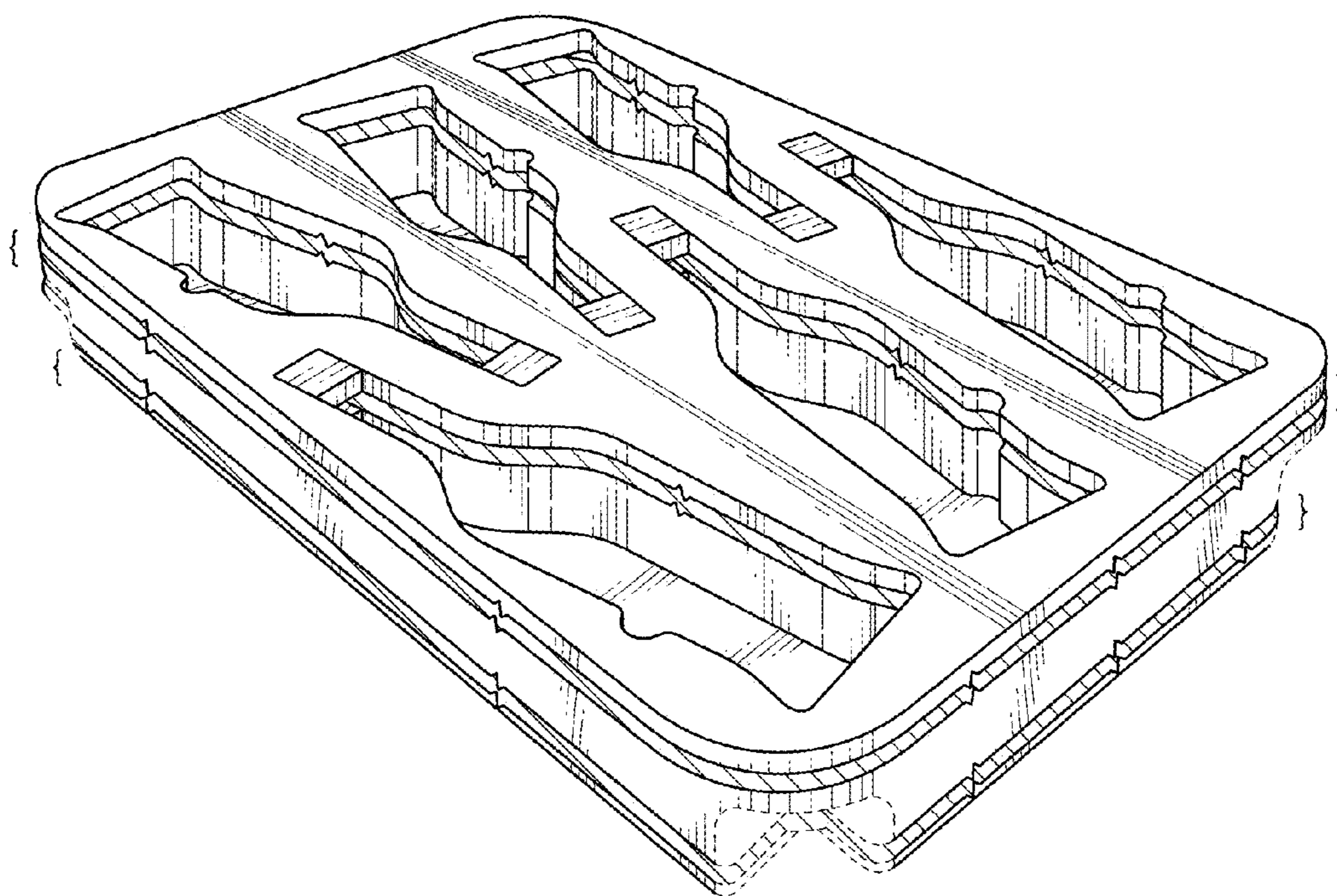


FIG. 1

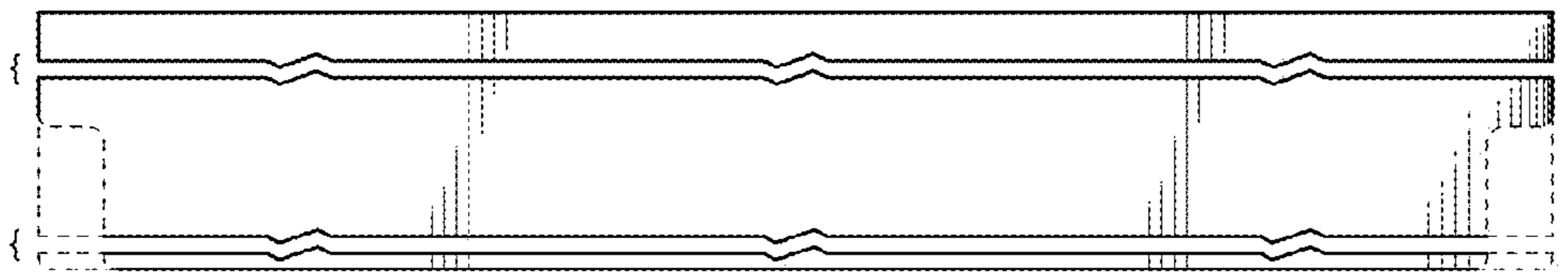


FIG. 2



FIG. 3

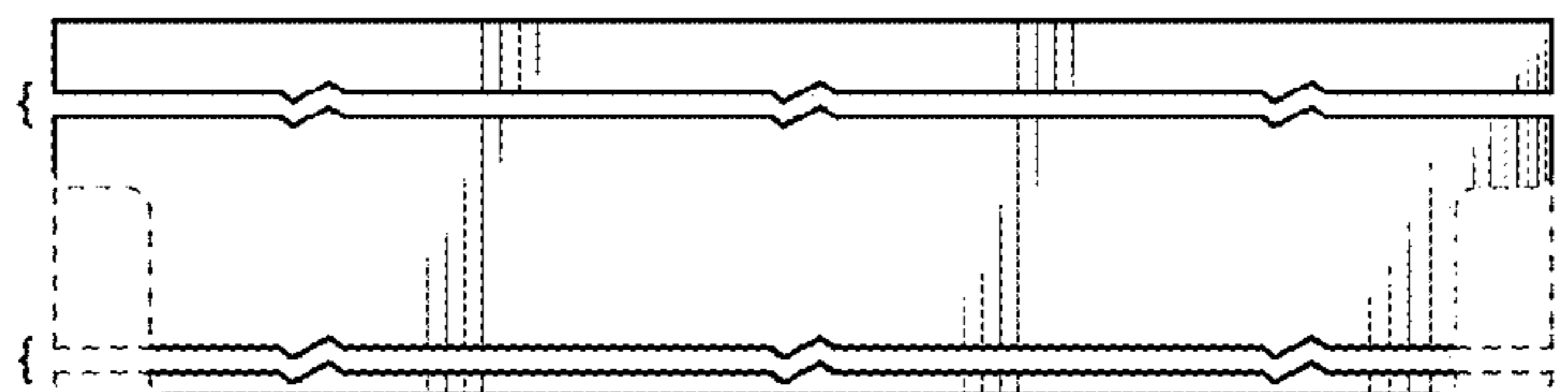


FIG. 4

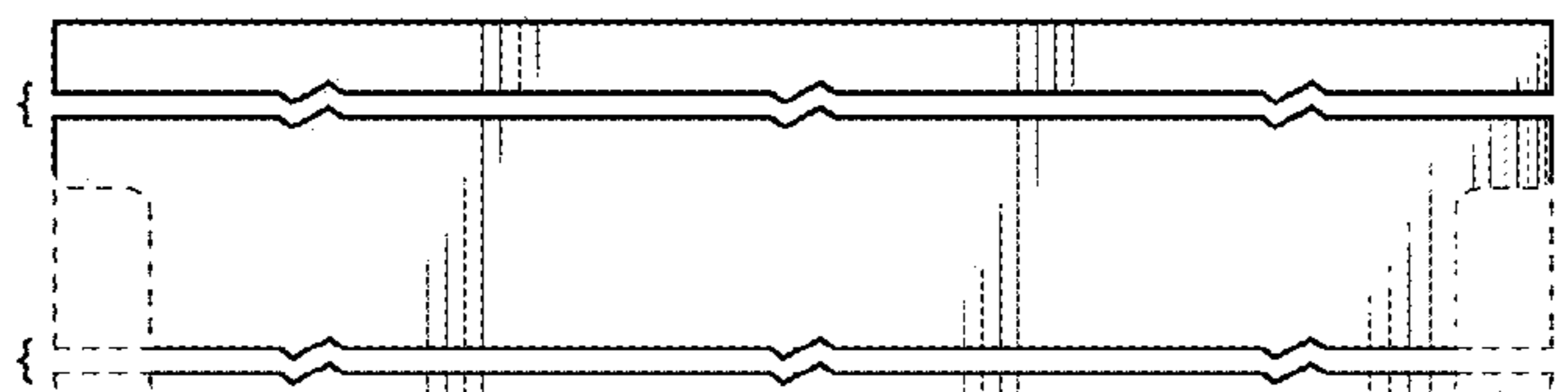


FIG. 5

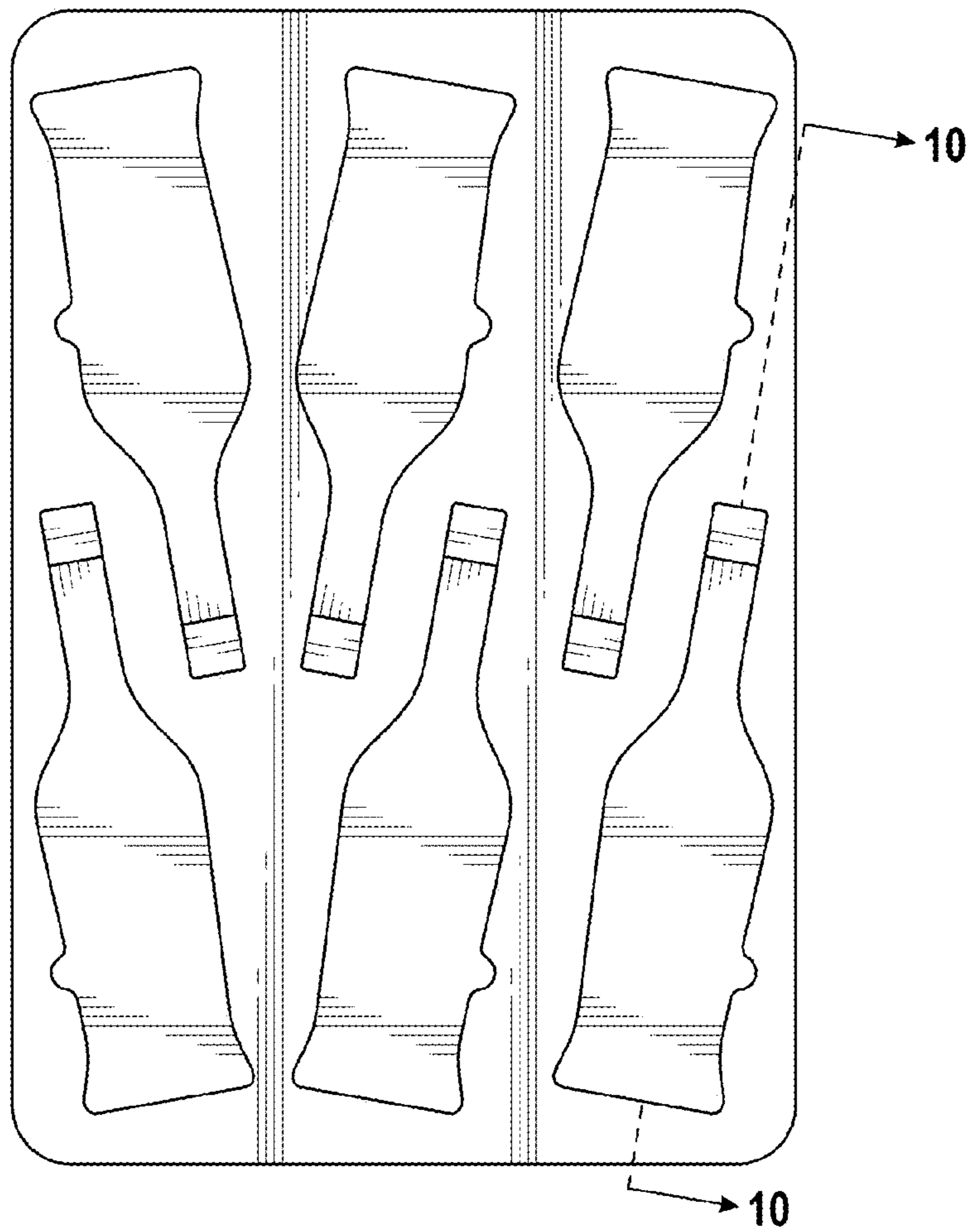


FIG. 6



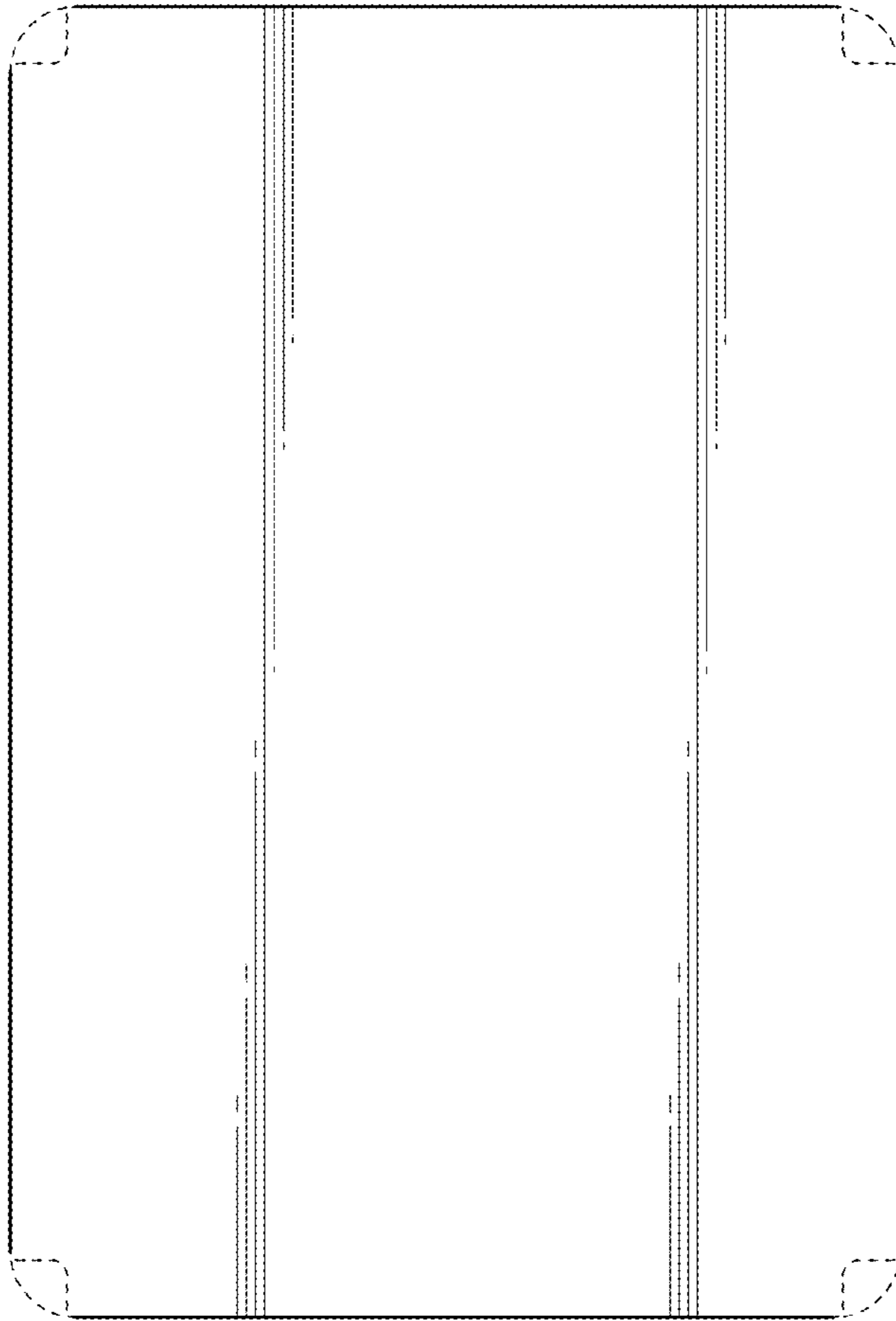


FIG. 7

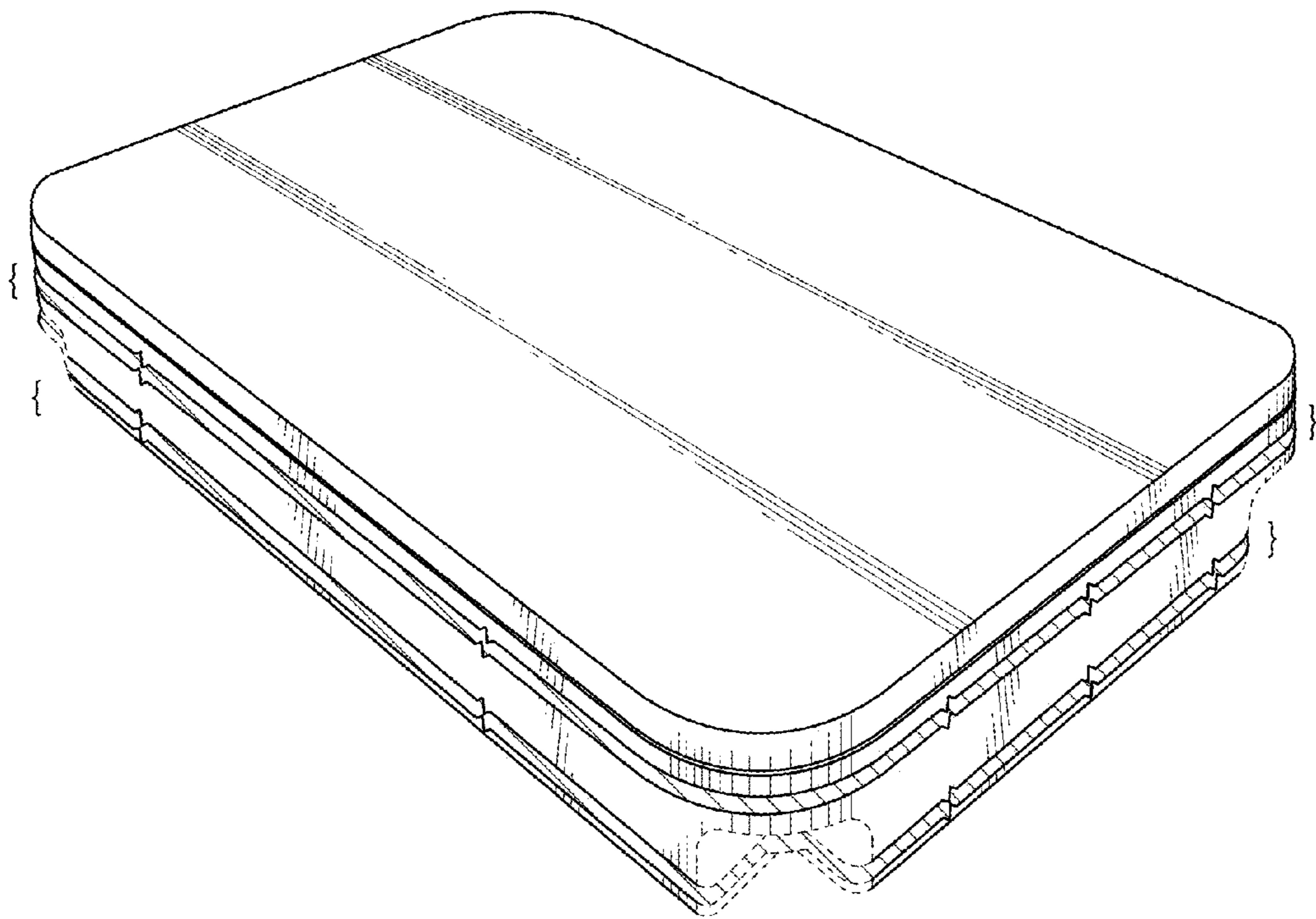


FIG. 8

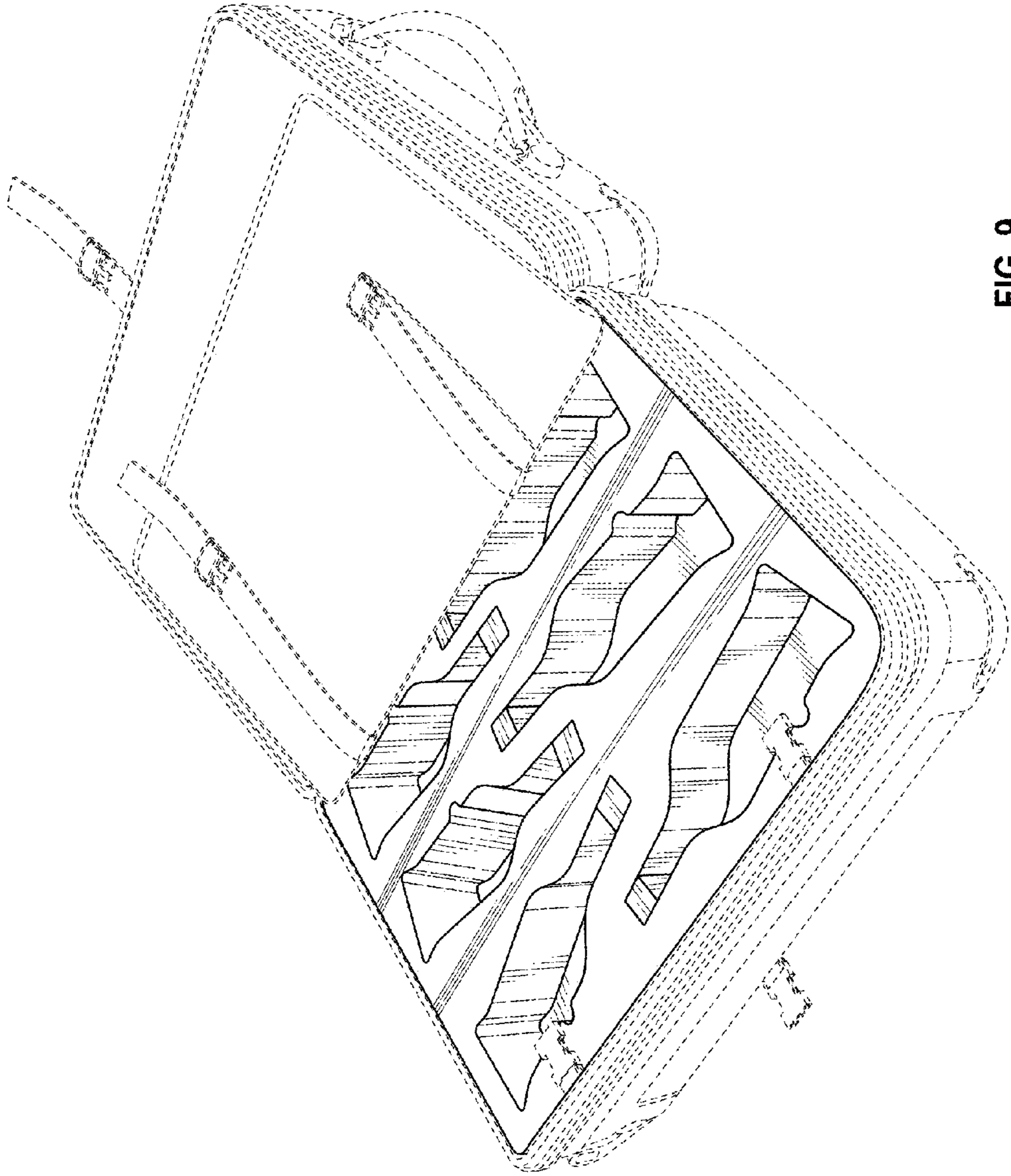


FIG. 9

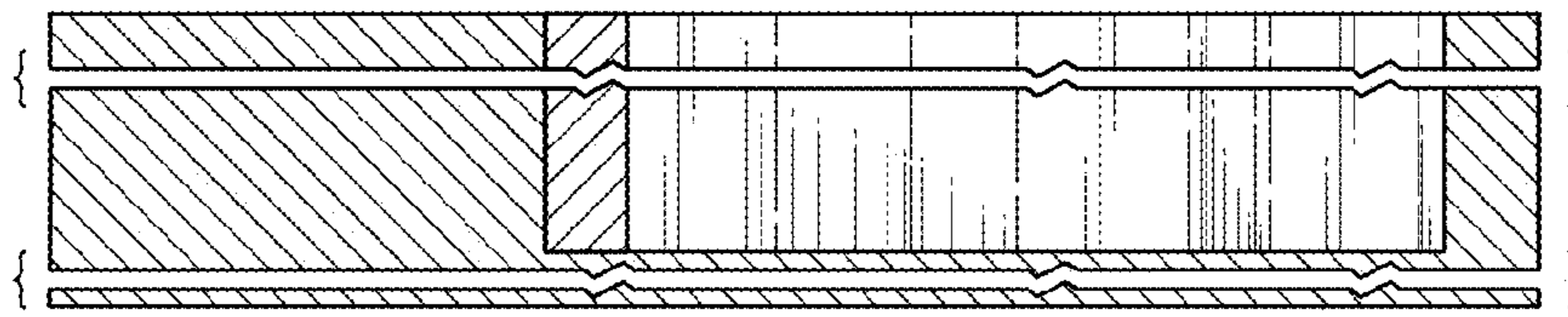


FIG. 10