



US00D723278S

(12) **United States Design Patent**  
**Van Migem et al.**

(10) **Patent No.:** **US D723,278 S**  
(45) **Date of Patent:** **\*\* Mar. 3, 2015**

(54) **SHOPPING BAG WITH REFLECTIVE STRIPS**

(71) Applicant: **Jamamosva Gifts JLT**, Dubai (AE)

(72) Inventors: **Olivier Van Migem**, Edegem (BE);  
**Frederic Collignon**, Wilrijk (BE)

(73) Assignee: **Jamamosva Gifts JLT**, Dubai (AE)

(\*\*) Term: **14 Years**

(21) Appl. No.: **29/486,498**

(22) Filed: **Mar. 31, 2014**

(30) **Foreign Application Priority Data**

Oct. 9, 2013 (JP) ..... 2013-023631

(51) **LOC (10) Cl.** ..... **03-02**

(52) **U.S. Cl.**  
USPC ..... **D3/315**

(58) **Field of Classification Search**  
USPC ..... D3/315-317, 303, 304, 265, 307, 308,  
D3/310, 313; D6/603; 294/146, 152;  
383/2, 6  
See application file for complete search history.

(56) **References Cited**

**U.S. PATENT DOCUMENTS**

4,062,392 A \* 12/1977 Ishii ..... 383/2  
D331,532 S \* 12/1992 Cohen et al. .... D3/303  
D377,864 S \* 2/1997 Miller et al. .... D3/303  
D398,082 S \* 9/1998 Martz ..... D30/109

D422,411 S \* 4/2000 Martin ..... D3/303  
D457,317 S \* 5/2002 Steere ..... D3/303  
D481,539 S \* 11/2003 Martz ..... D3/279  
D497,050 S \* 10/2004 Grambush ..... D3/246  
D508,320 S \* 8/2005 Holland et al. .... D3/303  
D537,632 S \* 3/2007 Quansah ..... D3/303  
D550,962 S \* 9/2007 Eskandry ..... D3/305  
D580,162 S \* 11/2008 Crook ..... D3/232  
D593,752 S \* 6/2009 de Natale ..... D3/303  
D606,754 S \* 12/2009 Baron ..... D3/303  
D641,162 S \* 7/2011 Houston et al. .... D3/283  
2008/0190798 A1 \* 8/2008 Hann ..... 206/372

\* cited by examiner

*Primary Examiner* — Ian Simmons

*Assistant Examiner* — Charles Hanson

(74) *Attorney, Agent, or Firm* — Kirschstein et al.

(57) **CLAIM**

The ornamental design for a shopping bag with reflective strips, as shown and described.

**DESCRIPTION**

FIG. 1 is a perspective view of a shopping bag with reflective strips according to our new design.

FIG. 2 is a front elevational view thereof, the rear elevational view being a mirror image.

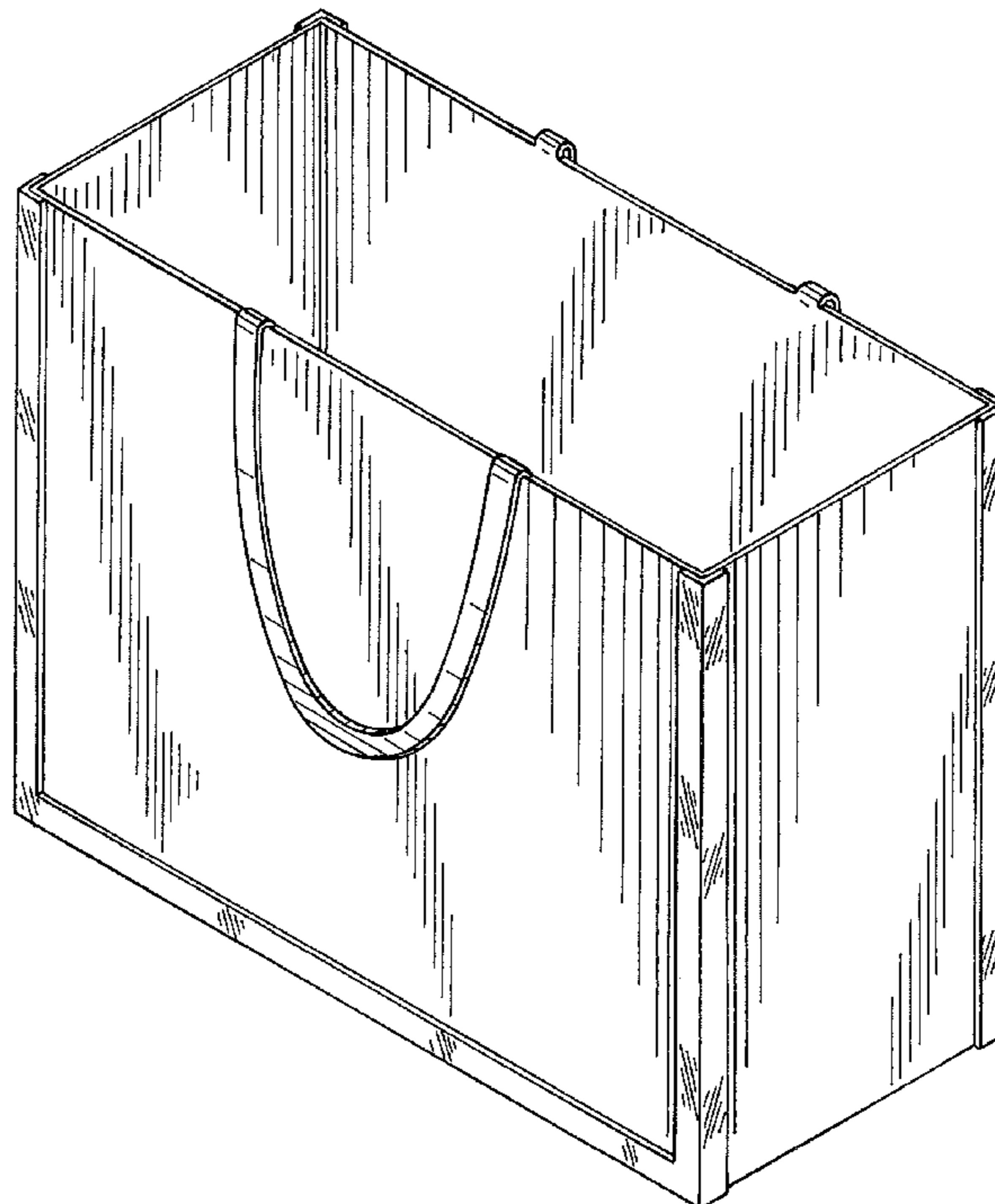
FIG. 3 is a right side elevational view thereof, the left side elevational view being a mirror image.

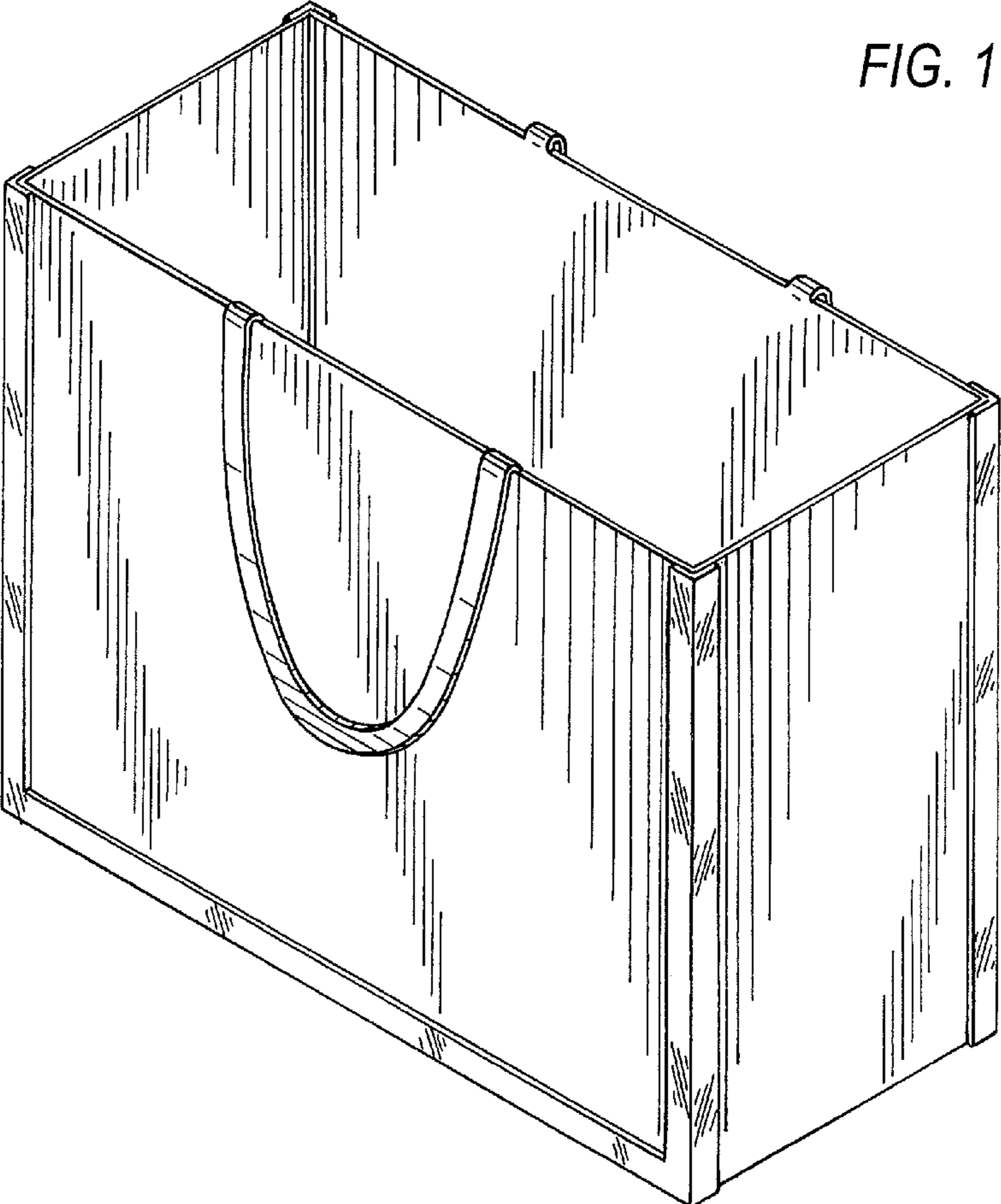
FIG. 4 is a top plan view thereof; and,

FIG. 5 is a bottom plan view thereof.

The strips at the exterior of the bags in the various views are reflective, as indicated by thin, diagonal, shade lines.

**1 Claim, 3 Drawing Sheets**





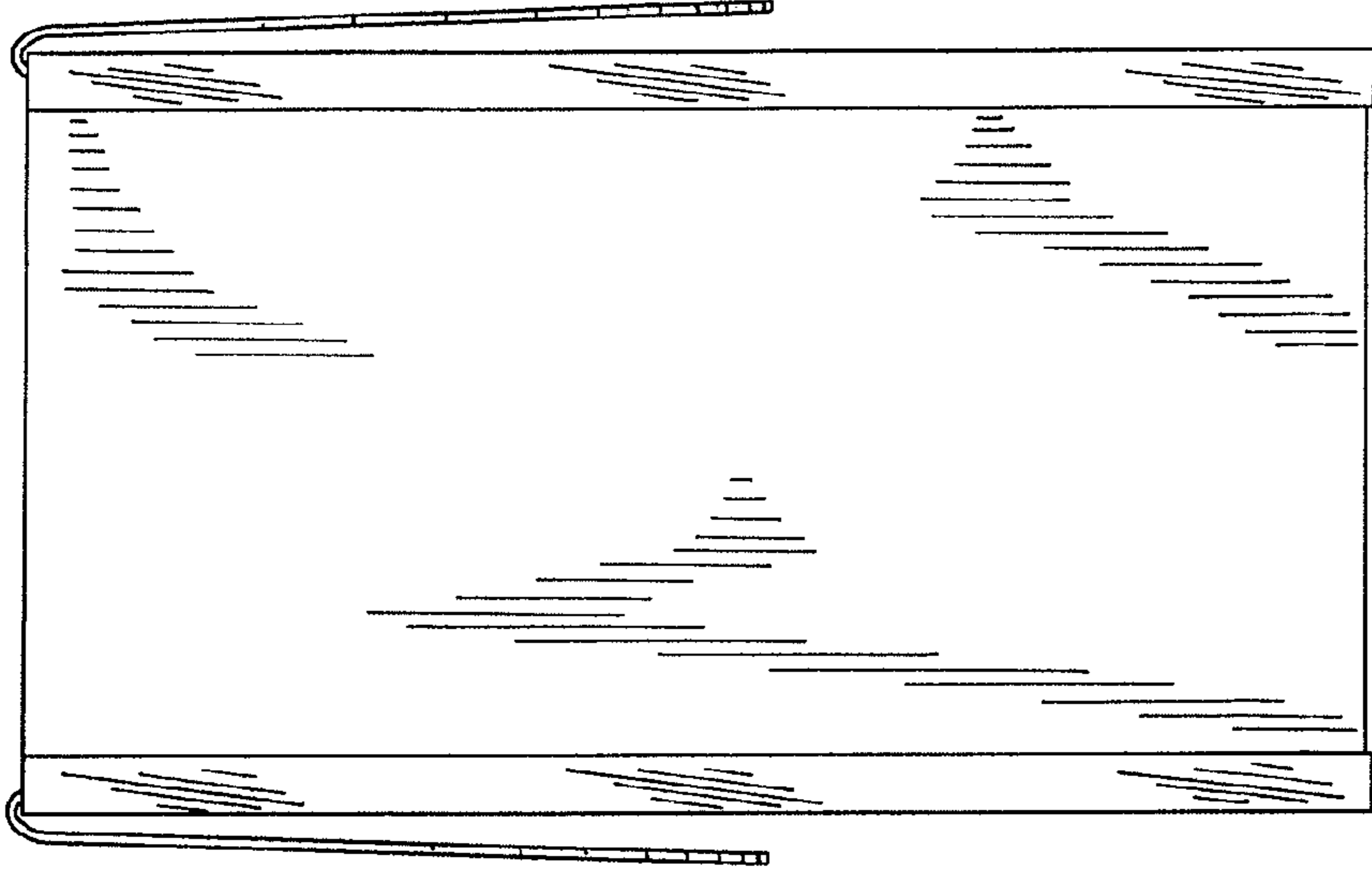


FIG. 3

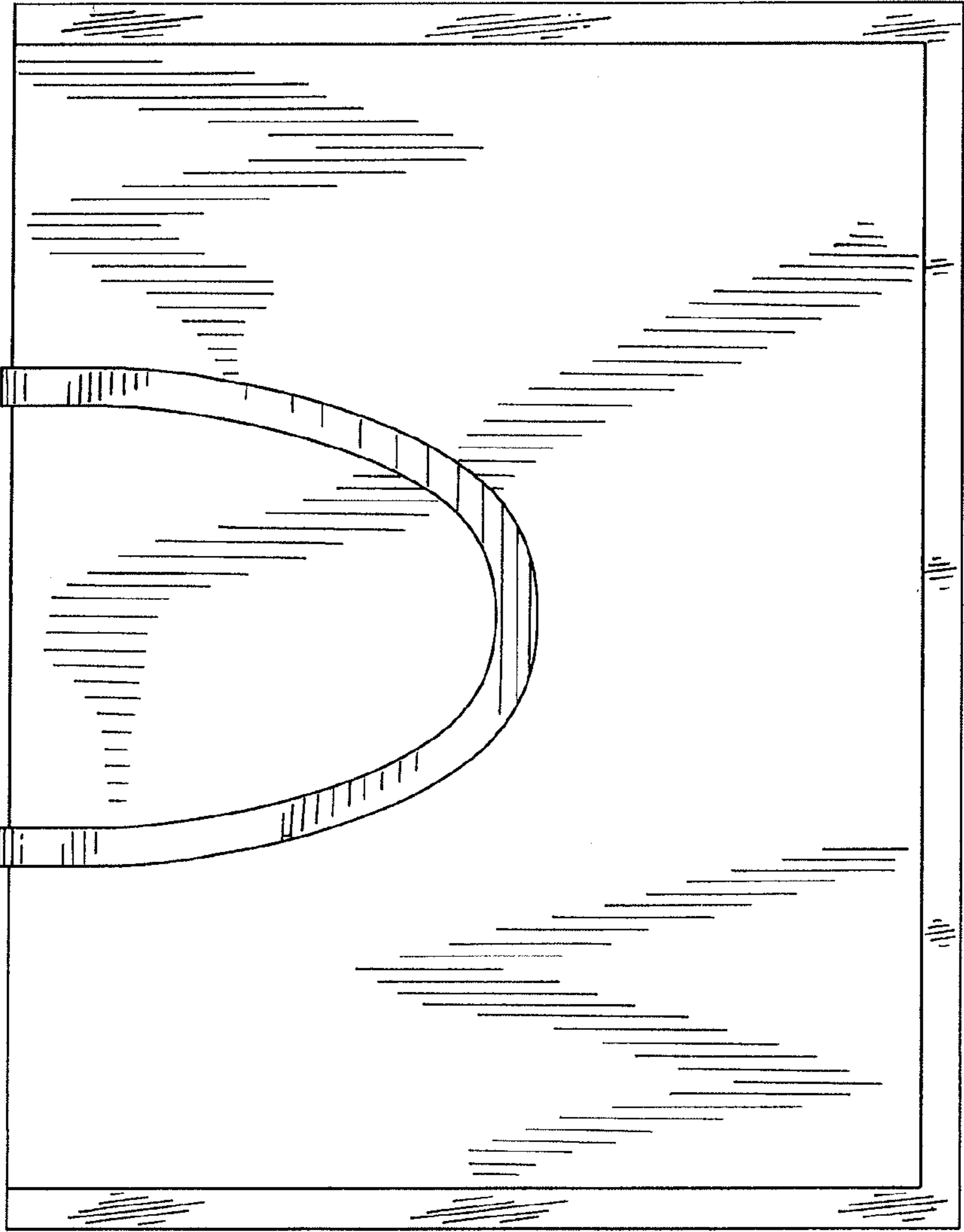


FIG. 2

FIG. 4

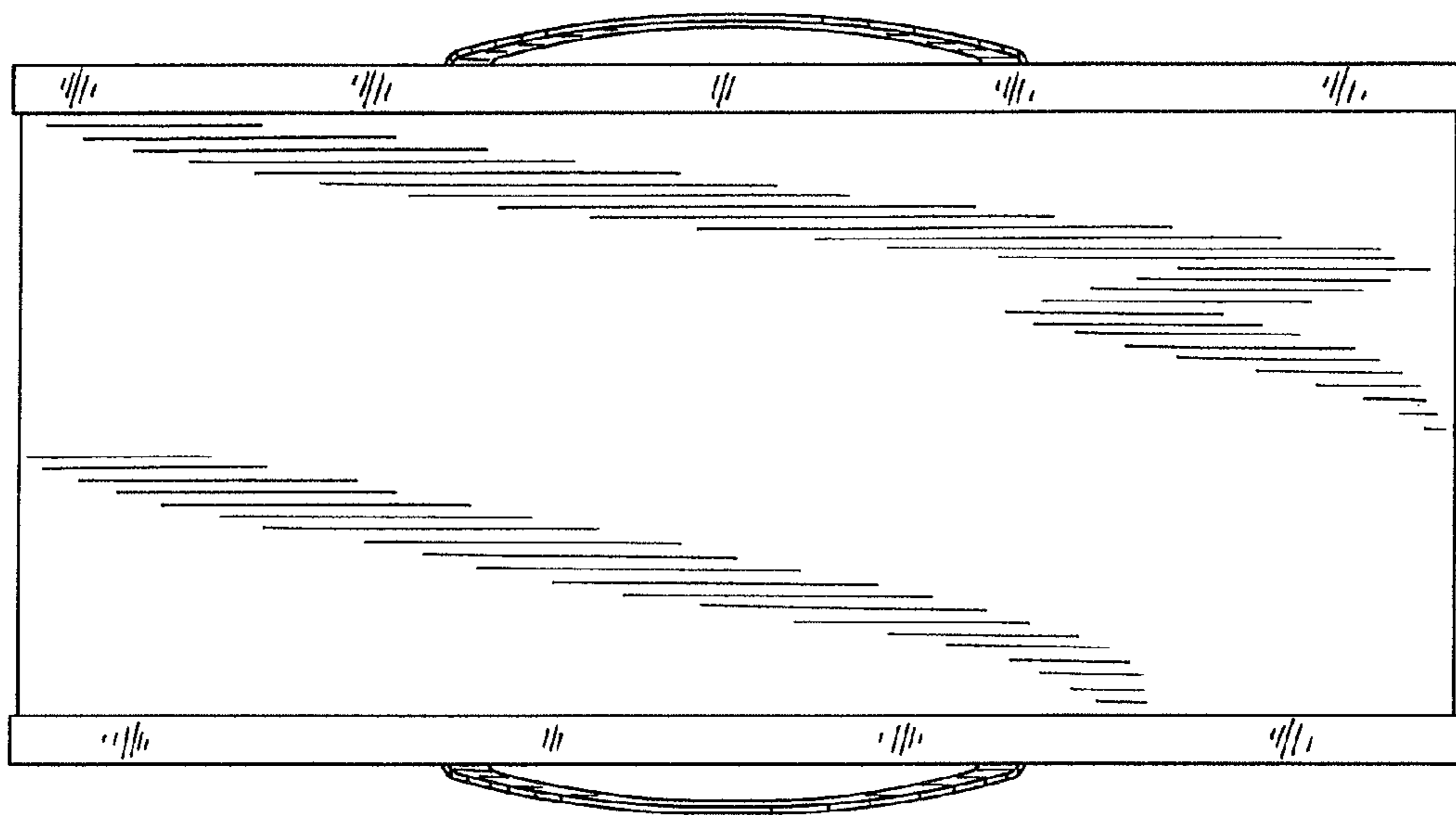
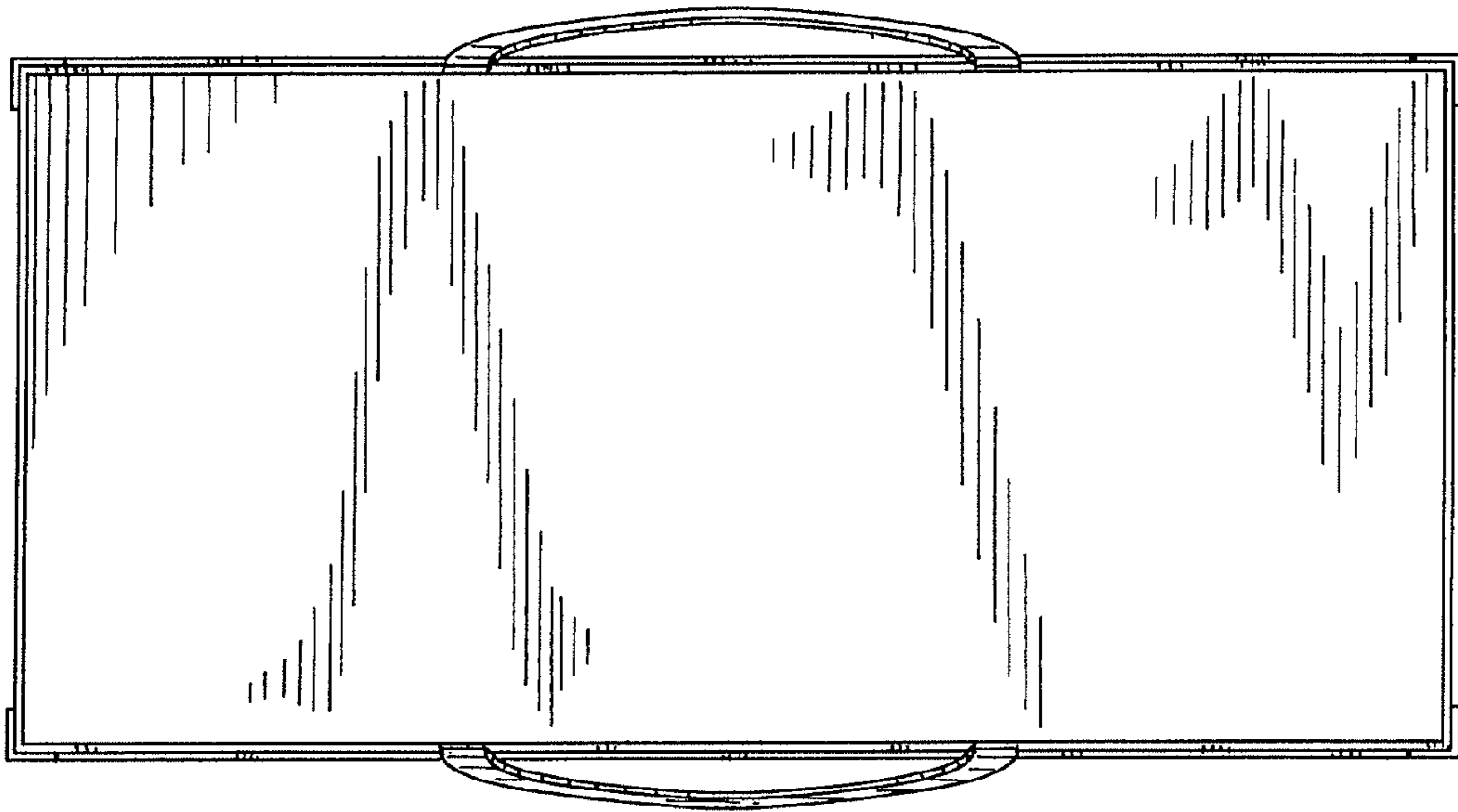


FIG. 5