



US00D723276S

(12) **United States Design Patent**
Johnson et al.

(10) **Patent No.:** **US D723,276 S**
(45) **Date of Patent:** **** Mar. 3, 2015**

(54) **POST LOCK TOOL HOLDER FOR L-SHAPED WRENCHES**

(71) Applicant: **Wagic, Inc.**, Los Gatos, CA (US)

(72) Inventors: **Ronald L. Johnson**, San Jose, CA (US);
Yugen Patrick Lockhart, Palo Alto, CA (US)

(73) Assignee: **Wagic, Inc.**, San Jose, CA (US)

(**) Term: **14 Years**

(21) Appl. No.: **29/449,635**

(22) Filed: **Mar. 15, 2013**

(51) **LOC (10) Cl.** **03-02**

(52) **U.S. Cl.**
USPC **D3/315**

(58) **Field of Classification Search**
USPC D3/315, 316, 321, 228, 229, 303, 309,
D3/259; D6/468; 81/117.4, 490; 206/209,
206/349, 362, 372, 377; 224/148.7, 230,
224/677, 679, 161, 249; D9/434, 455, 753
See application file for complete search history.

(56) **References Cited**

U.S. PATENT DOCUMENTS

| | | |
|-------------|---------|-----------|
| 244,309 A | 7/1881 | Rhodes |
| 363,331 A | 5/1887 | Hammer |
| 364,422 A | 6/1887 | LaForge |
| 580,235 A | 4/1897 | Strum |
| 647,528 A | 4/1900 | Schmidt |
| 763,745 A | 6/1904 | Gheen |
| 873,363 A | 12/1907 | Ross |
| 875,493 A | 12/1907 | Beard |
| 959,408 A | 5/1910 | Volbert |
| 1,000,900 A | 8/1911 | Dorsey |
| 1,006,679 A | 10/1911 | Rice |
| 1,100,070 A | 6/1914 | Graham |
| 1,172,656 A | 2/1916 | Yorgensen |

(Continued)

FOREIGN PATENT DOCUMENTS

| | | |
|----|-----------|--------|
| CA | 1147176 | 5/1983 |
| CA | 1232781 A | 2/1988 |

(Continued)

OTHER PUBLICATIONS

Wagic Husky 29pc SEA& Metric Ball-Head Key Set w/ Torque Handle, [http://www.bing.com/shopping/wagic-husky-26pc-sea-metric-ball-head-hex-key-set-w-tor . . .](http://www.bing.com/shopping/wagic-husky-26pc-sea-metric-ball-head-hex-key-set-w-tor...), May 10, 2012.

Primary Examiner — Ian Simmons

Assistant Examiner — Charles Hanson

(74) *Attorney, Agent, or Firm* — Haverstock & Owens LLP

(57) **CLAIM**

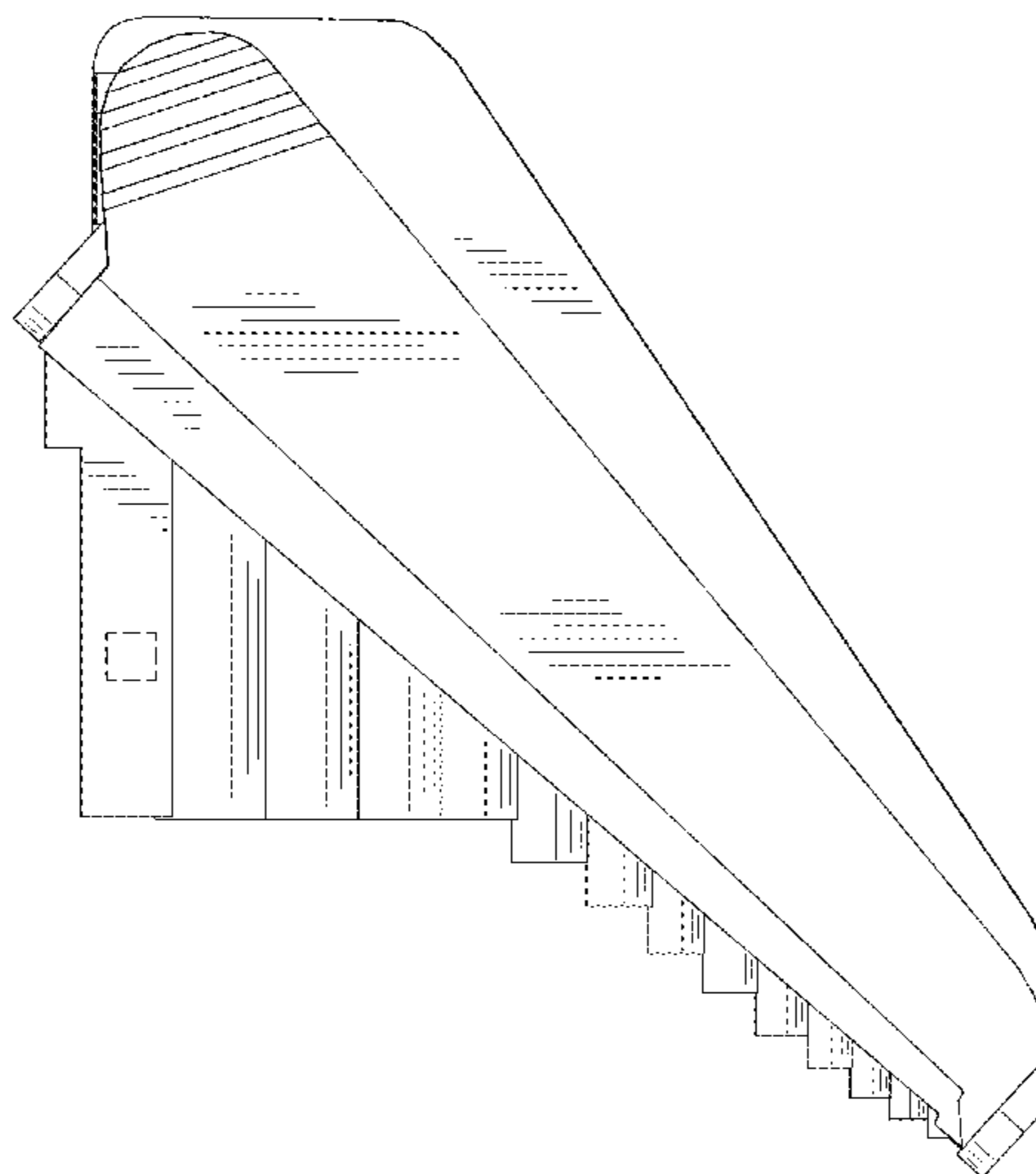
The ornamental design for a post lock tool holder for L-shaped wrenches, as shown and described.

DESCRIPTION

FIG. 1 is a front view of a post lock tool holder for L-shaped wrenches showing our new design; FIG. 2 is a back view thereof; FIG. 3 is a left side view thereof; FIG. 4 is a right side view thereof; FIG. 5 is a bottom view thereof; FIG. 6 is a top view thereof; FIG. 7 is a front view thereof, in an opened position; FIG. 8 is a back view thereof; FIG. 9 is a left side view thereof; FIG. 10 is a right side view thereof; FIG. 11 is a bottom view thereof; FIG. 12 is a top view thereof; and, FIG. 13 is a front view thereof holding a plurality of wrenches.

The broken line showing of the wrenches is included for the purpose of illustrating environment and forms no part of the claimed design.

1 Claim, 13 Drawing Sheets



(56)

References Cited

U.S. PATENT DOCUMENTS

| | | | | | |
|---------------|---------|------------------------------------|--------------|---------|--------------------------|
| 1,187,542 A | 6/1916 | Kaas | 4,154,125 A | 5/1979 | Frank |
| D53,597 S | 7/1919 | Marcmann | 4,196,761 A | 4/1980 | Royer |
| 1,337,769 A | 4/1920 | Hemming | 4,227,430 A | 10/1980 | Jameson et al. |
| 1,398,583 A | 11/1921 | Bovee | 4,235,269 A | 11/1980 | Kraus |
| 1,425,270 A | 8/1922 | Morgan | 4,238,862 A | 12/1980 | Leatherman |
| 1,500,852 A | 7/1924 | Shepard | 4,241,773 A | 12/1980 | Personnat |
| 1,502,044 A | 7/1924 | McCann | 4,302,990 A | 12/1981 | Chrichton et al. |
| 1,530,905 A | 3/1925 | Nance | 4,308,770 A | 1/1982 | MacDonald |
| 1,559,097 A | 10/1925 | Hill | 4,327,790 A | 5/1982 | Stevens et al. |
| 1,753,026 A | 4/1930 | Rosati | 4,384,499 A | 5/1983 | Shockley |
| 1,825,936 A | 10/1931 | Bodmer | D270,024 S | 8/1983 | Strasser |
| 1,888,222 A | 11/1932 | Curtis et al. | 4,424,728 A | 1/1984 | MacDonald |
| 1,915,245 A | 6/1933 | Cook | 4,448,097 A | 5/1984 | Rocca |
| 1,944,606 A | 1/1934 | Little | 4,469,109 A | 9/1984 | Mehl |
| 1,970,409 A | 8/1934 | Wiedemann | 4,476,751 A | 10/1984 | Mishima |
| 2,236,333 A | 3/1941 | Cowles | 4,525,889 A | 7/1985 | Dunau |
| 2,332,656 A | 10/1943 | Mirando | 4,542,667 A | 9/1985 | Jang |
| 2,346,364 A | 4/1944 | Dowe | D284,810 S * | 7/1986 | Kelemen, Sr. D3/315 |
| D142,982 S | 11/1945 | Bloomfield | 4,699,020 A | 10/1987 | Bush et al. |
| 2,409,613 A | 10/1946 | Brooks | 4,699,030 A | 10/1987 | Yang |
| 2,410,971 A | 11/1946 | Hartley | 4,703,673 A | 11/1987 | Allen |
| 2,465,152 A | 3/1949 | Ellison | 4,711,353 A | 12/1987 | Rozmestor |
| 2,465,619 A | 3/1949 | Veit | 4,716,795 A | 1/1988 | Corona et al. |
| 2,475,268 A | 7/1949 | Wittle | 4,716,796 A | 1/1988 | Corona et al. |
| 2,485,991 A | 10/1949 | Stowell | 4,767,006 A | 8/1988 | Wasem |
| D156,677 S | 12/1949 | Smith | 4,783,867 A | 11/1988 | Tsao |
| D157,154 S | 2/1950 | Horton | 4,787,276 A | 11/1988 | Condon |
| 2,509,507 A | 5/1950 | Kane | 4,815,346 A | 3/1989 | Littlehorn |
| 2,512,967 A | 6/1950 | Quiron | 4,819,523 A | 4/1989 | Souza |
| 2,530,024 A | 11/1950 | Moody | 4,819,800 A | 4/1989 | Wilson |
| 2,532,336 A | 12/1950 | Minnich | 4,820,090 A | 4/1989 | Chen |
| 2,569,069 A | 9/1951 | Motel | D302,102 S | 7/1989 | Amagaya |
| 2,590,307 A * | 3/1952 | Gibson 206/377 | 4,882,841 A | 11/1989 | Margolis |
| 2,593,828 A | 4/1952 | Arey | 4,922,569 A | 5/1990 | Brinker et al. |
| 2,604,211 A | 5/1952 | Steine | 4,926,721 A | 5/1990 | Hsiao |
| 2,701,052 A | 2/1955 | Mantel | D308,462 S | 6/1990 | Komatsu |
| D175,056 S | 6/1955 | Wilson | 4,934,223 A | 6/1990 | Wong |
| 2,715,028 A | 8/1955 | Dossie | D310,770 S | 9/1990 | Zamarripa |
| 2,719,042 A | 9/1955 | Epsy | D311,124 S | 10/1990 | Learney |
| 2,726,091 A | 12/1955 | Topar | 4,960,016 A | 10/1990 | Seals |
| 2,776,589 A | 1/1957 | Gregory | 4,974,477 A | 12/1990 | Anderson |
| 2,778,396 A | 1/1957 | Swain | 4,979,407 A | 12/1990 | Hernandez et al. |
| D179,979 S | 4/1957 | Noga | 5,029,707 A | 7/1991 | Feng |
| 2,800,816 A | 7/1957 | Tasciotti | 5,036,975 A | 8/1991 | Chow |
| 2,804,970 A | 9/1957 | Kue et al. | 5,062,173 A | 11/1991 | Collins et al. |
| 2,810,472 A | 10/1957 | Midkiff | 5,063,796 A | 11/1991 | Gennep |
| 2,836,210 A | 5/1958 | Garofalo | 5,065,487 A | 11/1991 | Yother |
| 2,844,244 A | 5/1958 | Hanson | 5,086,674 A | 2/1992 | Her |
| 2,842,020 A | 7/1958 | Traquinio | 5,146,815 A | 9/1992 | Scott, III |
| 2,854,741 A | 10/1958 | Cholger | 5,147,038 A | 9/1992 | Pergeau |
| 2,878,701 A | 3/1959 | Weersma | D333,769 S | 3/1993 | Jureckson |
| 3,023,054 A | 2/1962 | Shigekuni | D334,516 S | 4/1993 | Tsunoda |
| 3,061,727 A | 11/1962 | Von Frankenberg Und Ludwingdorf | D339,048 S | 9/1993 | Baum |
| 3,113,479 A | 12/1963 | Swingle | 5,251,352 A | 10/1993 | Cullison |
| 3,156,143 A | 11/1964 | Wolfe | 5,263,389 A | 11/1993 | Frazell et al. |
| 3,222,959 A | 12/1965 | Clark | 5,265,504 A | 11/1993 | Fruhm |
| 3,255,792 A | 6/1966 | Beck | D342,433 S | 12/1993 | Sorenson |
| 3,257,991 A | 6/1966 | Mosch | 5,271,300 A | 12/1993 | Zurbuchen et al. |
| D205,745 S | 9/1966 | Namfeldt | D343,106 S | 1/1994 | Eklind et al. |
| 3,342,229 A | 9/1967 | Janes | 5,295,422 A | 3/1994 | Chow |
| 3,343,434 A | 9/1967 | Schroeder | 5,320,004 A | 6/1994 | Hsiao |
| 3,370,696 A * | 2/1968 | Groe 294/161 | 5,329,834 A | 7/1994 | Wong |
| 3,424,039 A | 1/1969 | Scott | 5,394,984 A | 3/1995 | Aiba |
| 3,592,086 A | 7/1971 | Derwin | D359,671 S | 6/1995 | Acosta |
| 3,654,975 A | 4/1972 | Ballsmith et al. | 5,450,774 A | 9/1995 | Chang |
| 3,667,518 A | 6/1972 | Stillwagon, Jr. | 5,450,775 A | 9/1995 | Kozak |
| 3,802,286 A | 4/1974 | Winklhofer et al. | 5,461,950 A | 10/1995 | Iwinski |
| 3,863,693 A | 2/1975 | Carniker | D365,681 S | 1/1996 | Chow |
| 3,943,801 A | 3/1976 | Yates | 5,480,166 A | 1/1996 | Milsop |
| 3,958,469 A | 5/1976 | Meese | 5,495,942 A | 3/1996 | Izhak |
| 3,997,053 A | 12/1976 | Bondhus | 5,499,560 A | 3/1996 | Aeschliman |
| 4,000,767 A | 1/1977 | Geng | 5,499,562 A | 3/1996 | Feng |
| 4,043,230 A | 8/1977 | Scrivens | 5,517,885 A | 5/1996 | Feng |
| 4,124,915 A | 11/1978 | Schlicher | 5,522,291 A | 6/1996 | Liu |
| | | | 5,535,882 A | 7/1996 | Liu |
| | | | 5,542,322 A | 8/1996 | Knox et al. |
| | | | D373,943 S | 9/1996 | Fuhrmann |
| | | | 5,553,340 A | 9/1996 | Brown, Jr. |
| | | | 5,566,596 A | 10/1996 | Lin |

(56)

References Cited

U.S. PATENT DOCUMENTS

| | | | | | |
|----------------|---------|----------------------------|--------------|---------|---------------------|
| D376,520 S | 12/1996 | Morin | 6,308,599 B1 | 10/2001 | Fu-Hui |
| 5,581,834 A | 12/1996 | Collins | 6,311,587 B1 | 11/2001 | Johnson et al. |
| D377,444 S | 1/1997 | Lin | 6,314,838 B2 | 11/2001 | Wall |
| 5,592,859 A | 1/1997 | Johnson et al. | 6,318,218 B1 | 11/2001 | Anderson et al. |
| D378,797 S | 4/1997 | Porembe et al. | 6,332,381 B1 | 12/2001 | Vasudeva |
| D380,131 S | 6/1997 | Sung | 6,345,557 B1 | 2/2002 | Kuo |
| D382,190 S | 8/1997 | Blackston et al. | D454,766 S | 3/2002 | Lin |
| 5,653,525 A | 8/1997 | Park | 6,357,068 B1 | 3/2002 | Seber et al. |
| D383,048 S | 9/1997 | Sorensen et al. | D455,630 S | 4/2002 | Chiu |
| 5,662,013 A | 9/1997 | Lin | 6,371,290 B1 | 4/2002 | Yearous et al. |
| D385,172 S | 10/1997 | Bramsiepe et al. | 6,378,402 B1 | 4/2002 | Kalomeris et al. |
| D386,955 S | 12/1997 | Jones et al. | 6,382,057 B1 | 5/2002 | Kienholz |
| 5,692,656 A * | 12/1997 | Dembicks 224/249 | 6,389,931 B1 | 5/2002 | Delaney et al. |
| D388,609 S | 1/1998 | Chan | 6,397,709 B1 | 6/2002 | Wakk |
| 5,711,042 A | 1/1998 | Chuang | 6,401,576 B1 | 6/2002 | Wu |
| 5,711,194 A | 1/1998 | Anderson et al. | 6,401,923 B1 | 6/2002 | Huang |
| D394,792 S | 6/1998 | Bourque | 6,405,620 B2 | 6/2002 | Liao |
| D394,794 S | 6/1998 | Vasudeva | D459,967 S | 7/2002 | Johnson et al. |
| 5,758,870 A | 6/1998 | Weaver | D461,311 S * | 8/2002 | Gharib D3/315 |
| 5,765,247 A | 6/1998 | Seber et al. | D462,002 S | 8/2002 | Jean et al. |
| 5,765,454 A | 6/1998 | Barbulescu et al. | 6,427,564 B1 | 8/2002 | Nelson |
| 5,768,960 A | 6/1998 | Archuleta | 6,490,954 B2 | 12/2002 | Johnson et al. |
| 5,791,211 A | 8/1998 | Bondhus et al. | 6,510,766 B1 | 1/2003 | Lin |
| 5,803,584 A | 9/1998 | Chung | 6,510,767 B1 | 1/2003 | Rivera |
| 5,816,401 A | 10/1998 | Vasudeva et al. | D470,739 S | 2/2003 | Chen |
| 5,820,288 A | 10/1998 | Cole | D472,712 S | 4/2003 | Sagen |
| 5,822,830 A | 10/1998 | Lin | D472,931 S | 4/2003 | Leins |
| D400,775 S | 11/1998 | Hsu | 6,564,680 B1 | 5/2003 | Rinner et al. |
| 5,855,274 A | 1/1999 | Paio | 6,598,503 B1 | 7/2003 | Cummingham |
| D405,335 S | 2/1999 | Lin | 6,601,481 B2 | 8/2003 | Chuang |
| 5,911,799 A | 6/1999 | Johnson et al. | D479,963 S | 9/2003 | Chang |
| 5,916,277 A | 6/1999 | Dallas | 6,634,502 B1 | 10/2003 | Yu |
| 5,916,341 A | 6/1999 | Lin | 6,640,675 B1 | 11/2003 | Chuang |
| 5,918,513 A | 7/1999 | Ho | 6,675,678 B2 | 1/2004 | Liu |
| 5,918,741 A | 7/1999 | Vasudeva | 6,698,318 B2 | 3/2004 | Perters |
| 5,938,028 A * | 8/1999 | Hu 206/377 | 6,701,813 B2 | 3/2004 | Hu |
| 5,970,828 A | 10/1999 | Bondhus et al. | 6,709,196 B1 | 3/2004 | Medendorp |
| D415,946 S | 11/1999 | Tsai | 6,739,224 B1 | 5/2004 | Wershe |
| 5,983,759 A | 11/1999 | Turner | 6,751,819 B2 | 6/2004 | Chuang |
| 5,992,626 A | 11/1999 | Anderson | 6,751,820 B1 | 6/2004 | Wu |
| D420,885 S | 2/2000 | Lin | 6,752,046 B1 | 6/2004 | Lee |
| 6,032,332 A | 3/2000 | Lin | 6,758,350 B2 | 7/2004 | Lin |
| 6,032,796 A | 3/2000 | Hopper et al. | 6,763,744 B2 | 7/2004 | Johnson et al. |
| 6,044,973 A | 4/2000 | Vasudeva | D494,438 S | 8/2004 | Falkenstein et al. |
| D426,449 S | 6/2000 | Eklind | 6,799,490 B1 | 10/2004 | Chu |
| D426,450 S | 6/2000 | Eklind | 6,827,210 B2 | 12/2004 | Chen |
| D427,875 S | 7/2000 | Chiu | 6,863,471 B2 | 3/2005 | Medendorp |
| 6,085,620 A | 7/2000 | Anderson et al. | 6,877,186 B2 | 4/2005 | Shiao |
| 6,088,861 A | 7/2000 | Sessions et al. | 6,898,998 B2 | 5/2005 | Shyu |
| 6,089,133 A | 7/2000 | Liao | 6,901,826 B2 | 6/2005 | Huang |
| 6,092,656 A | 7/2000 | Ernst | 6,918,323 B2 | 7/2005 | Arnold et al. |
| 6,095,018 A | 8/2000 | Schuster | 6,922,870 B2 | 8/2005 | Tontz, Sr. |
| 6,105,767 A | 8/2000 | Vasudeva | 6,925,910 B2 | 8/2005 | Alford |
| 6,119,560 A | 9/2000 | Anderson et al. | 6,928,908 B1 | 8/2005 | Yu |
| 6,128,981 A | 10/2000 | Boundhus et al. | 6,935,211 B2 | 8/2005 | Chen |
| 6,131,740 A | 10/2000 | Huang | 6,941,843 B2 | 9/2005 | Johnson et al. |
| D433,613 S * | 11/2000 | Jialin D8/71 | 6,948,406 B1 | 9/2005 | Li |
| D433,910 S | 11/2000 | Oliver et al. | 6,968,758 B2 | 11/2005 | Lin |
| 6,151,998 A | 11/2000 | Fu-Hui | D517,391 S | 3/2006 | Leins |
| D435,415 S | 12/2000 | Johnson | 7,028,593 B1 | 4/2006 | Lin et al. |
| 6,164,172 A | 12/2000 | Huang | 7,047,847 B2 | 5/2006 | Chuang |
| D435,773 S | 1/2001 | Lin | 7,051,626 B1 | 5/2006 | Chen |
| D437,541 S | 2/2001 | Hermansen et al. | 7,051,629 B2 | 5/2006 | Huang |
| D437,763 S | 2/2001 | Oliver et al. | D523,637 S | 6/2006 | Chang |
| 6,186,785 B1 | 2/2001 | Rogers et al. | 7,073,418 B2 | 7/2006 | Kuo |
| 6,202,864 B1 * | 3/2001 | Ernst et al. 211/70.6 | 7,080,582 B2 | 7/2006 | Karle |
| 6,206,189 B1 | 3/2001 | Huot, Jr. et al. | 7,086,314 B2 | 8/2006 | Wannop |
| D440,852 S * | 4/2001 | Ernst D8/71 | 7,093,519 B1 | 8/2006 | Huang |
| 6,233,769 B1 | 5/2001 | Seber et al. | D527,903 S | 9/2006 | Chang |
| 6,237,451 B1 | 5/2001 | Wei | 7,100,476 B1 | 9/2006 | Feit |
| 6,257,106 B1 | 7/2001 | Anderson et al. | 7,131,358 B2 | 11/2006 | Hsien |
| 6,260,453 B1 | 7/2001 | Anderson et al. | 7,140,280 B2 | 11/2006 | Hawkins et al. |
| 6,279,434 B1 | 8/2001 | Brown | 7,143,669 B2 | 12/2006 | Hu |
| 6,279,435 B1 | 8/2001 | Zayat, Jr. | 7,150,208 B2 | 12/2006 | Debley |
| D448,267 S | 9/2001 | Jean et al. | 7,159,260 B2 | 1/2007 | Hansen |
| | | | 7,159,491 B1 | 1/2007 | Chaconas et al. |
| | | | 7,165,479 B1 | 1/2007 | Lee |
| | | | 7,168,345 B1 | 1/2007 | Hsieh |
| | | | 7,182,003 B1 | 2/2007 | Hsieh |

(56)

References Cited

U.S. PATENT DOCUMENTS

7,185,565 B1 3/2007 Hu
 7,216,569 B2 5/2007 Abdlgany
 7,237,463 B1 7/2007 Lee
 D548,464 S * 8/2007 Lin D3/315
 D549,069 S 8/2007 Lin et al.
 7,281,454 B2 10/2007 Johnson et al.
 7,284,466 B1 10/2007 Ho
 D557,099 S 12/2007 Lin
 7,305,908 B2 12/2007 Chi
 7,409,894 B1 8/2008 Valentine
 7,467,574 B1 12/2008 Lin
 7,467,575 B2 12/2008 Lai
 7,565,852 B2 7/2009 Yu
 7,600,640 B2 10/2009 Hallee et al.
 D604,509 S * 11/2009 Andrews D3/259
 7,698,972 B2 4/2010 Hi
 7,743,685 B2 6/2010 Chang
 D622,125 S 8/2010 Robinson
 D623,037 S 9/2010 Johnson et al.
 7,788,996 B2 9/2010 Johnson et al.
 7,810,415 B2 10/2010 Adamany et al.
 7,836,534 B2 11/2010 Simmons
 7,846,203 B2 12/2010 Cribier
 7,946,203 B2 5/2011 Johnson et al.
 8,011,277 B2 9/2011 Johnson et al.
 8,015,642 B1 9/2011 Oakley
 8,033,200 B2 10/2011 Johnson et al.
 D650,257 S 12/2011 Royes et al.
 8,336,428 B2 12/2012 Johnson et al.
 8,468,916 B2 6/2013 Johnson et al.
 8,613,121 B1 12/2013 White
 8,640,574 B2 2/2014 Johnson et al.
 2001/0005576 A1 6/2001 Rogers et al.
 2001/0045145 A1 11/2001 Legg
 2003/0047474 A1 3/2003 Dahlson
 2003/0126957 A1 7/2003 Huang
 2003/0136234 A1 7/2003 Cunningham
 2003/0188610 A1 10/2003 Lin
 2003/0226428 A1 12/2003 Liu
 2004/0050218 A1 3/2004 Napoli
 2004/0173061 A1 9/2004 Liou
 2004/0262344 A1 12/2004 White
 2005/0011318 A1 1/2005 Tsai
 2005/0199108 A1 9/2005 Jheng
 2005/0229752 A1 10/2005 Nickipuck
 2005/0247587 A1 11/2005 Holland-Letz
 2005/0268752 A1 12/2005 Johnson et al.
 2005/0268754 A1 12/2005 Fa
 2005/0284267 A1 12/2005 Liao et al.
 2006/0042428 A1 3/2006 Chuang
 2006/0101955 A1 5/2006 Chang
 2006/0118500 A1 6/2006 Chen
 2006/0150784 A1 7/2006 Hsieh
 2006/0213059 A1 9/2006 Eggert
 2006/0254396 A1 11/2006 Hu
 2006/0288531 A1 12/2006 Hu
 2006/0288823 A1 12/2006 Schepman

2007/0023306 A1 2/2007 Lai
 2007/0044598 A1 3/2007 Frohm et al.
 2007/0056117 A1 3/2007 Gardiner et al.
 2007/0056872 A1 3/2007 Begim
 2007/0062831 A1 3/2007 Chen
 2007/0151402 A1 7/2007 Schneeman et al.
 2007/0221017 A1 9/2007 Heaven
 2007/0228672 A1 10/2007 Huang
 2007/0245862 A1 10/2007 Gonzalez et al.
 2007/0295171 A1 12/2007 Johnson et al.
 2008/0128370 A1 6/2008 Shih
 2008/0148909 A1 6/2008 Lai
 2008/0156754 A1 7/2008 Cheng
 2008/0164171 A1 7/2008 Meng
 2008/0190249 A1 8/2008 Yu
 2008/0202963 A1 8/2008 Liao
 2008/0223179 A1 9/2008 Nash et al.
 2008/0251402 A1 10/2008 Chiu
 2008/0256816 A1 10/2008 Consentino
 2008/0271573 A1 11/2008 Lown et al.
 2008/0295657 A1 12/2008 Chuthe
 2009/0107303 A1 4/2009 Steinweg et al.
 2009/0183608 A1 7/2009 Johnson et al.
 2009/0183609 A1 7/2009 Johnson et al.
 2009/0241740 A1 10/2009 Heagerty
 2010/0258465 A1 10/2010 Gomas
 2011/0000024 A1 1/2011 Johnson et al.
 2011/0094910 A1 4/2011 Fleury et al.
 2012/0012485 A1 1/2012 Wang
 2013/0228484 A1 9/2013 Yang

FOREIGN PATENT DOCUMENTS

CN 2628230 7/2004
 CN 2628230 Y 7/2004
 DE 464002 8/1928
 DE 2453480 A1 5/1976
 DE 3744176 A1 8/1988
 DE 102004011892 1/2005
 DE 20 2007 003841 U1 9/2007
 EP 856223 12/1960
 EP 503559 A1 9/1992
 EP 618046 A1 10/1994
 EP 01693163 2/2006
 EP 01777042 4/2007
 FR 787512 9/1935
 JP 55045442 U 3/1980
 JP 57-13165 1/1982
 JP 61136778 6/1986
 JP 3-4775 5/1991
 JP 03103162 10/1991
 JP 4-29368 3/1992
 JP 5-31882 4/1993
 JP 08505812 6/1996
 WO 83/01406 4/1983
 WO 9412322 A1 6/1994
 WO 9623631 8/1996
 WO 97/29887 8/1997

* cited by examiner

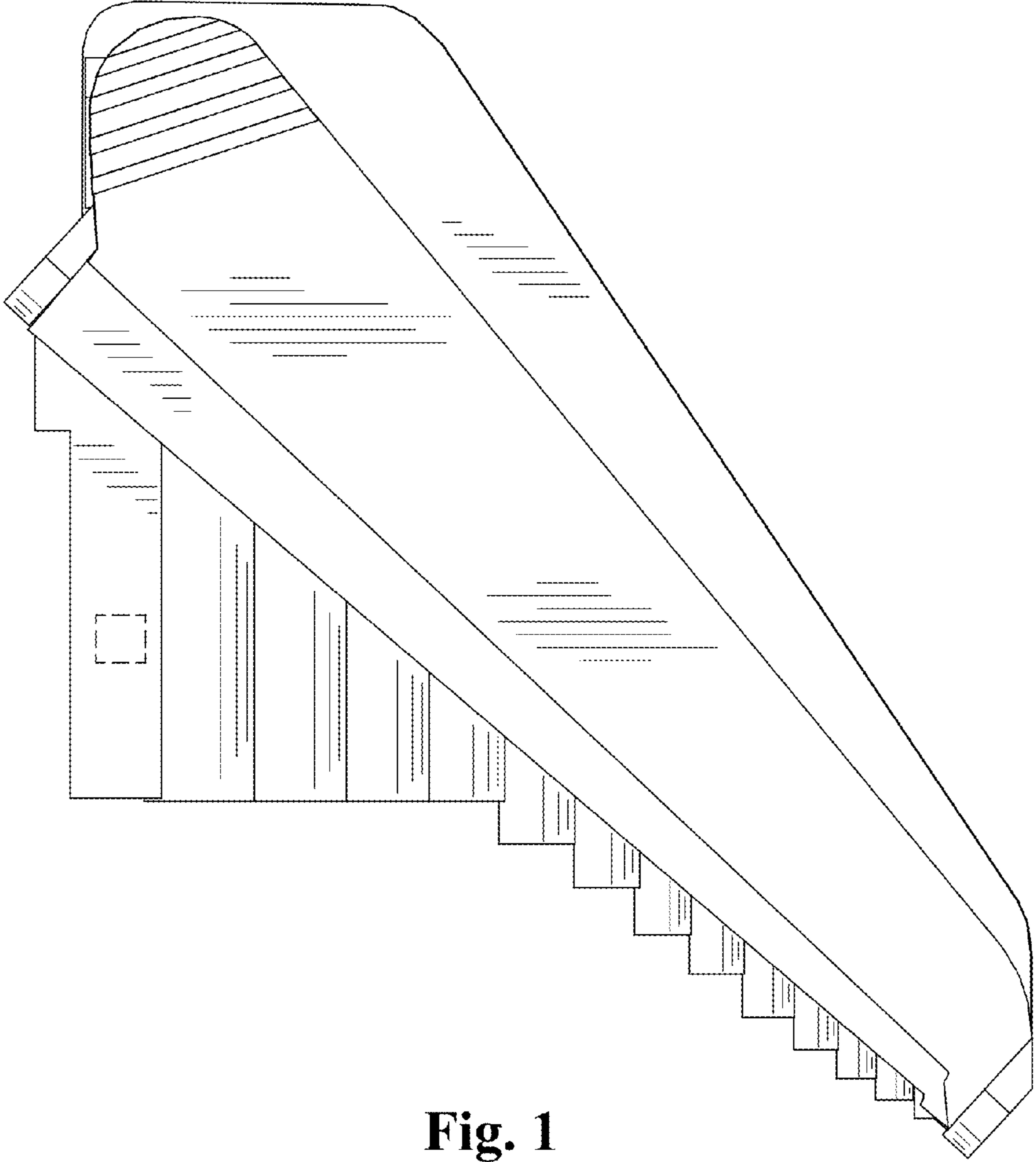


Fig. 1

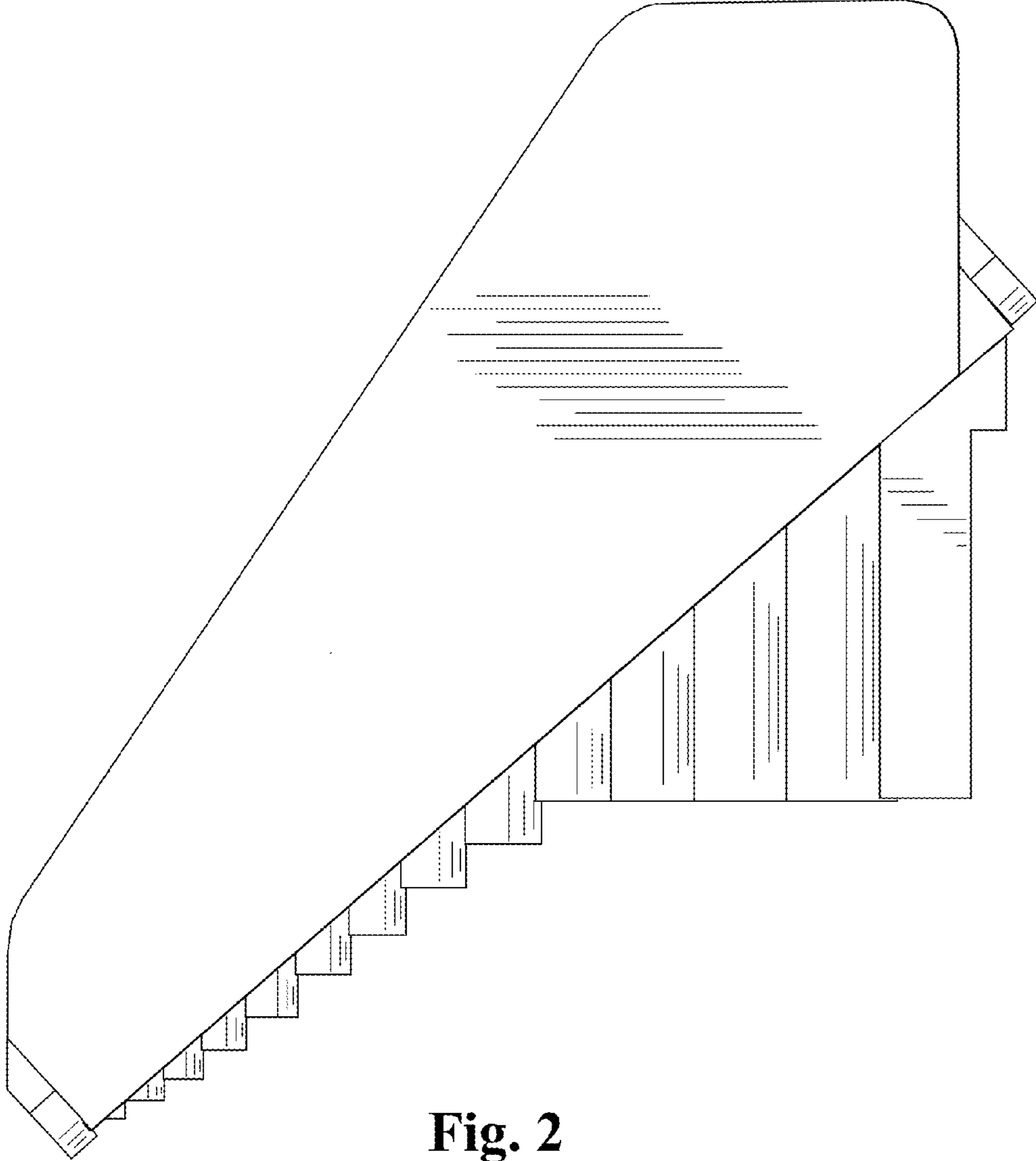


Fig. 2

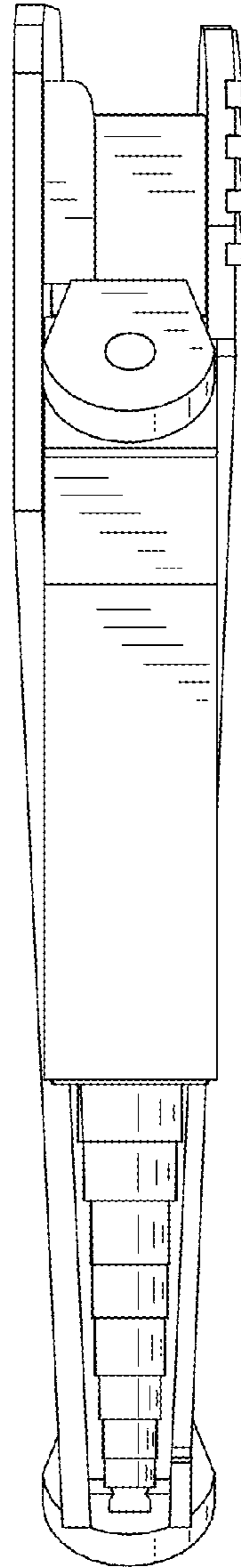


Fig. 3

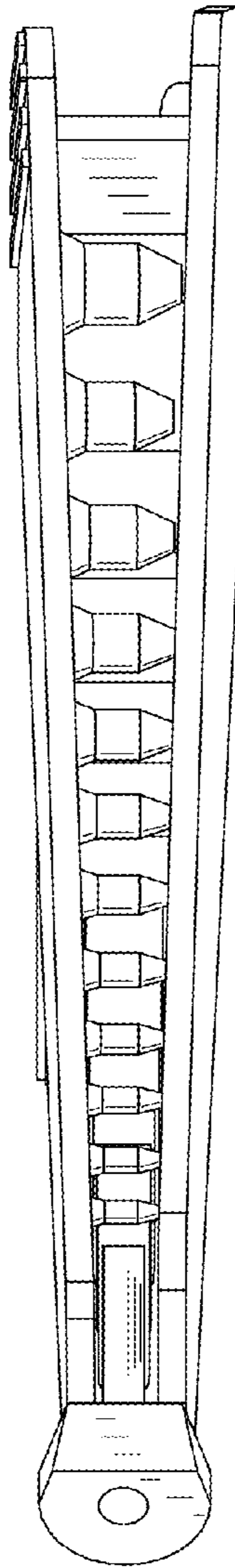


Fig. 4

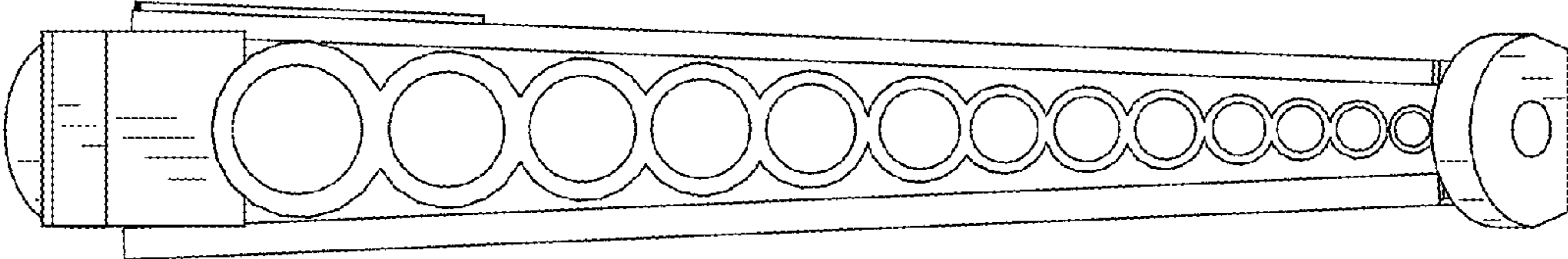


Fig. 5

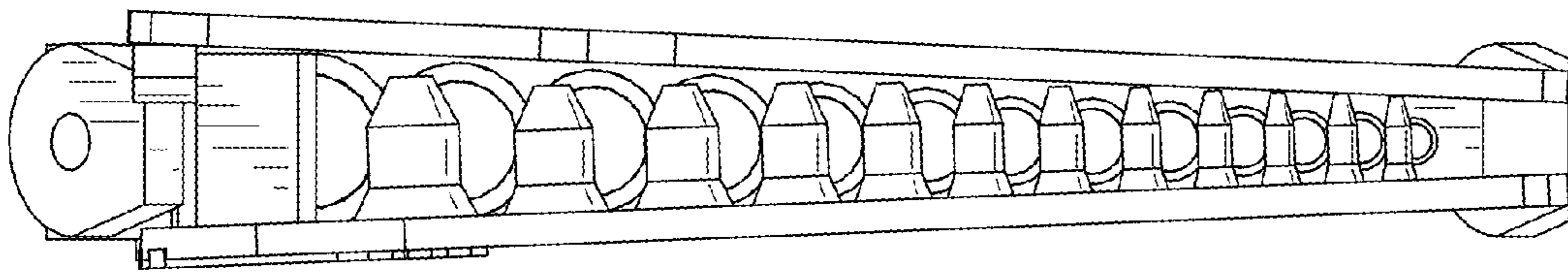


Fig. 6

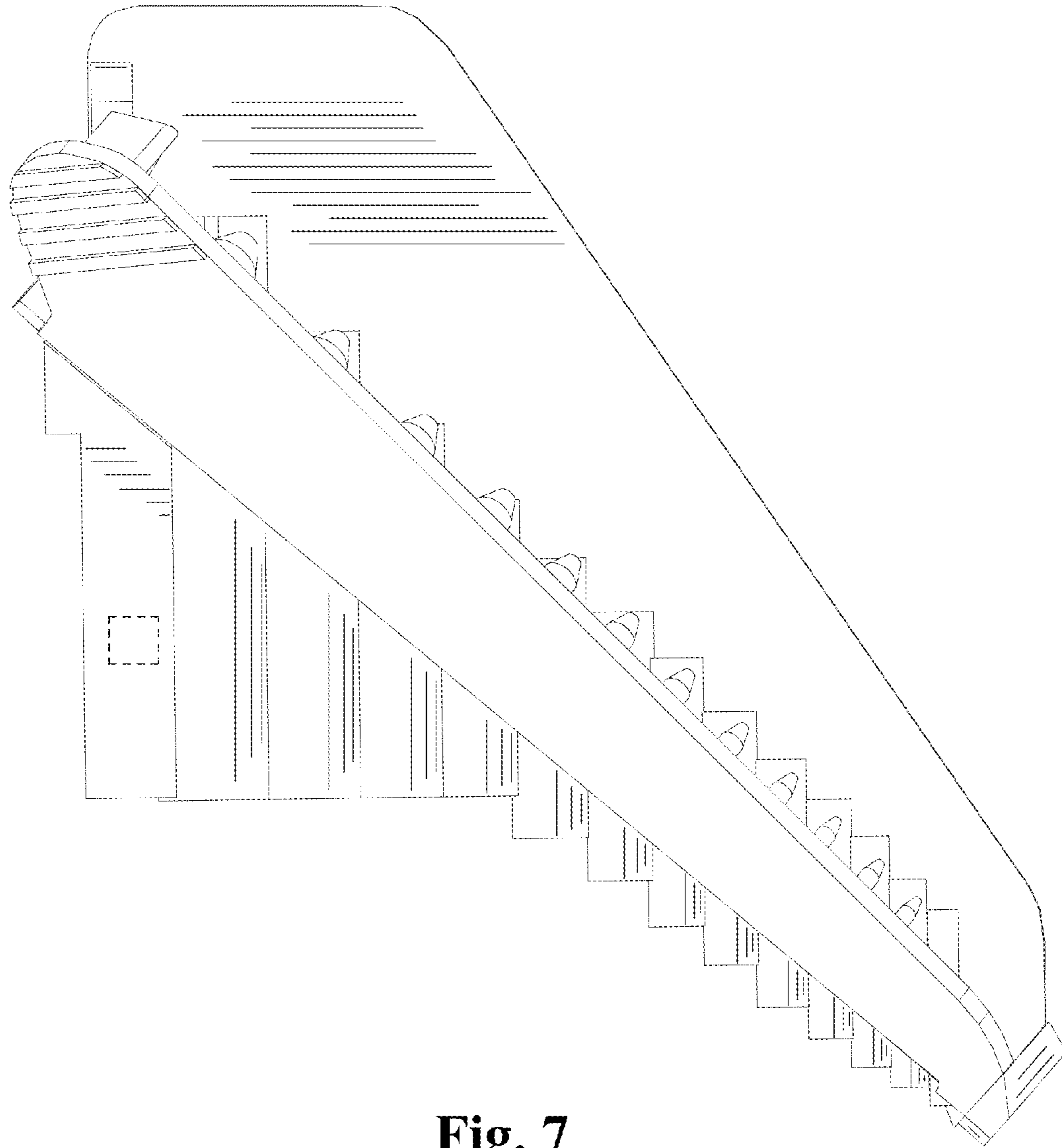


Fig. 7

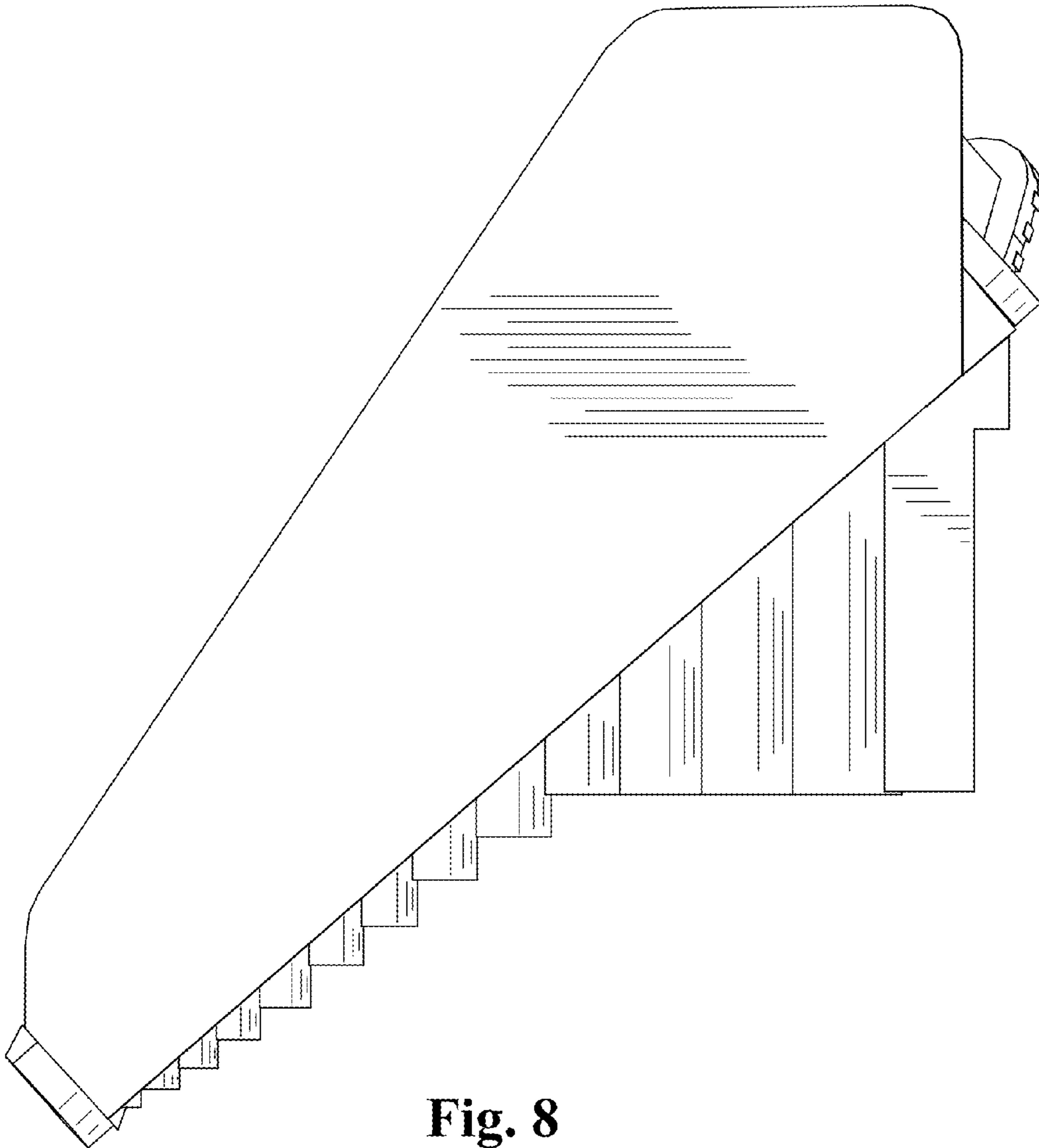


Fig. 8

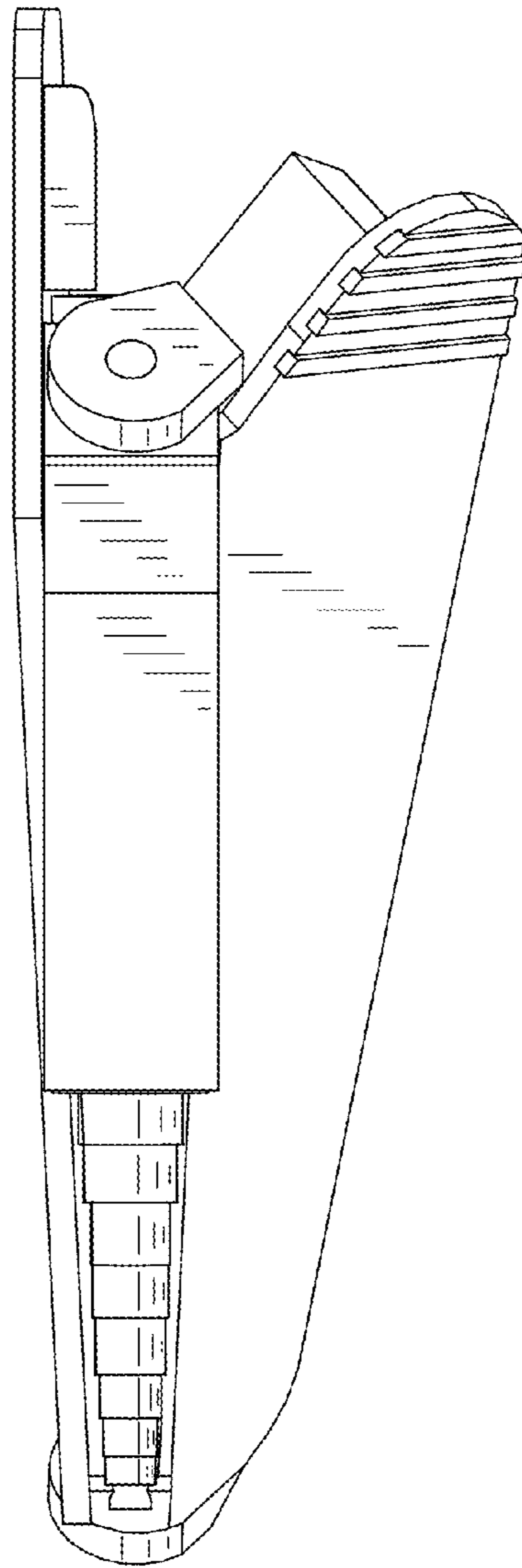


Fig. 9

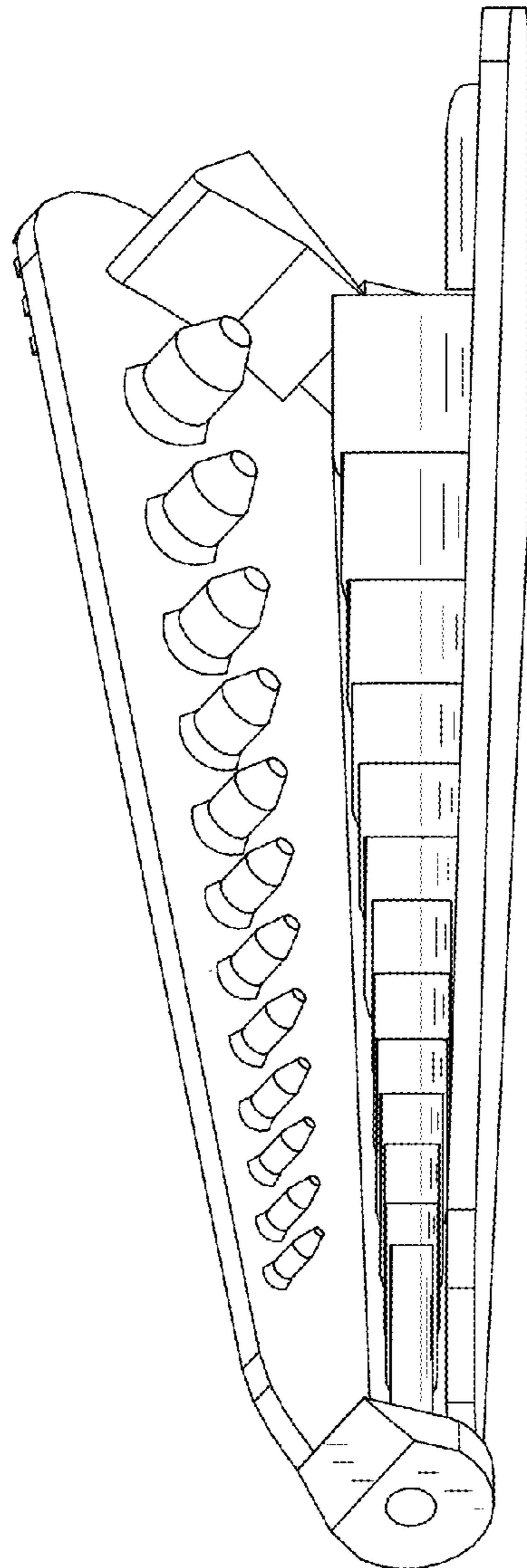


Fig. 10

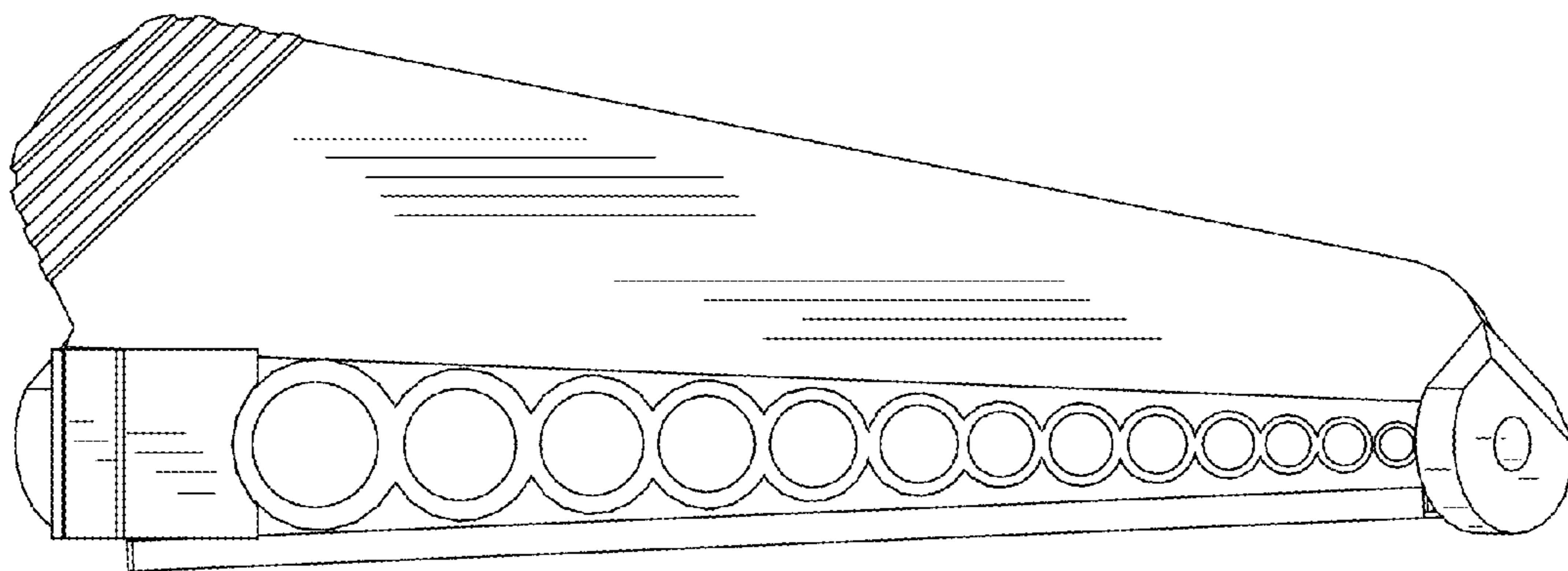


Fig. 11

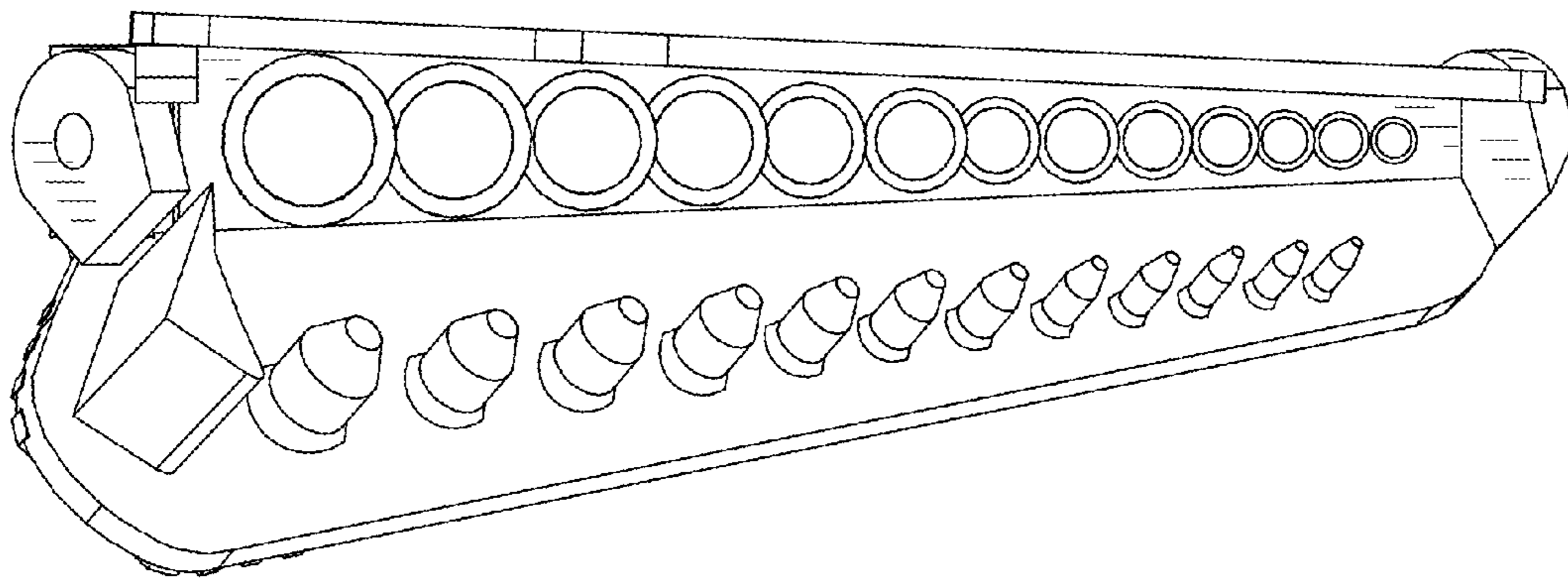


Fig. 12

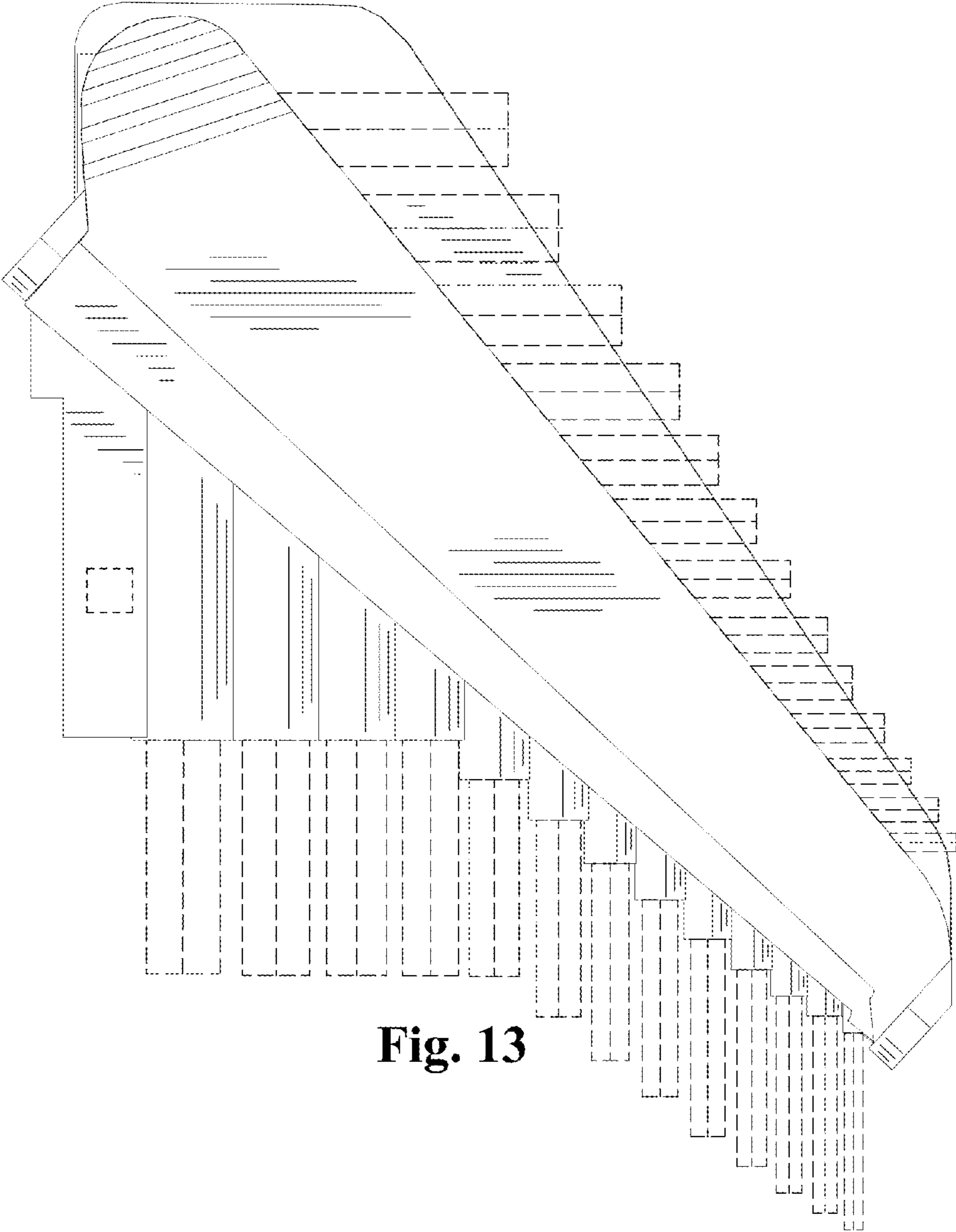


Fig. 13