



US00D723275S

(12) **United States Design Patent**
Sun

(10) **Patent No.:** **US D723,275 S**
(45) **Date of Patent:** **** Mar. 3, 2015**

(54) **TOOLBOX WITH A SPIRIT LEVEL**

(71) Applicant: **Shanghai Easy-Use Tools Enterprise Co. Ltd.**, Minhang District, Shanghai (CN)

(72) Inventor: **Shiyu Sun**, Shanghai (CN)

(73) Assignee: **Shanghai Easy-Use Tools Enterprise Co. Ltd.**, Minhang District, Shanghai (CN)

(**) Term: **14 Years**

(21) Appl. No.: **29/446,325**

(22) Filed: **Feb. 22, 2013**

(51) **LOC (10) Cl.** **03-01**

(52) **U.S. Cl.**

USPC **D3/274**; D3/293; D3/905; D10/69

(58) **Field of Classification Search**

CPC . B25H 3/02–3/028; B25H 3/00; B25H 3/003; B25H 3/006

USPC D3/273, 276, 279–284, 288, 291, 292, D3/293, 294, 295, 297, 905, 274; 206/372–379; 220/4.01; D10/69

See application file for complete search history.

(56) **References Cited**

U.S. PATENT DOCUMENTS

5,339,956 A * 8/1994 Thomason 206/372
5,803,254 A * 9/1998 Vasudeva 206/373

6,105,767 A * 8/2000 Vasudeva 206/372
D486,643 S * 2/2004 Singh et al. D3/282
D531,798 S * 11/2006 Ringo D3/273
D600,014 S * 9/2009 Moss et al. D3/282
D668,873 S * 10/2012 Robinson et al. D3/293
D668,874 S * 10/2012 Robinson et al. D3/293
D690,934 S * 10/2013 Robinson et al. D3/294
2009/0314674 A1 * 12/2009 Sauerheber 206/373
2012/0043238 A1 * 2/2012 Christopher 206/375

* cited by examiner

Primary Examiner — Jennifer Rivard

(74) *Attorney, Agent, or Firm* — Albert Bordas, P.A.

(57) **CLAIM**

The ornamental design for a toolbox with a spirit level, as shown and described.

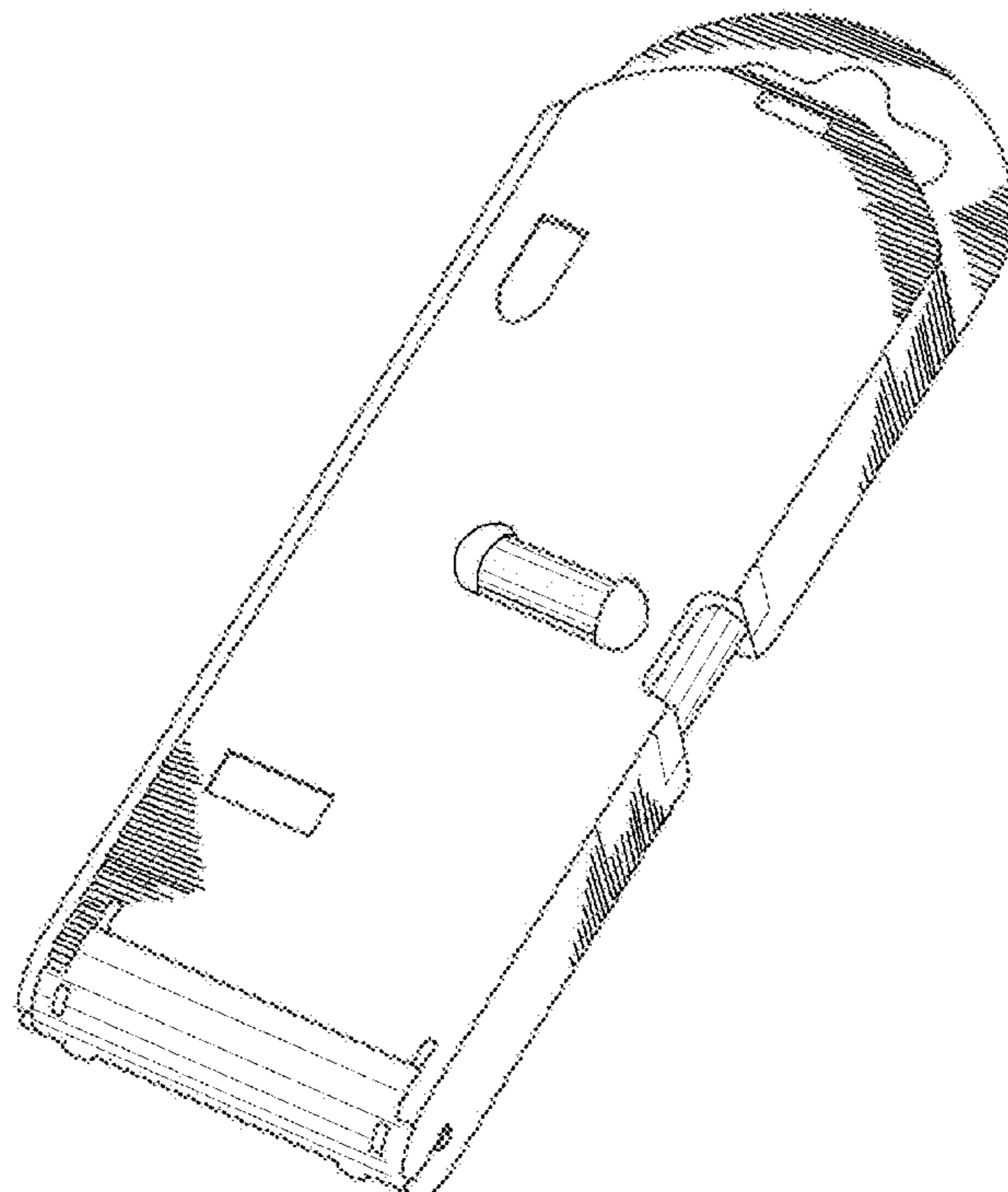
DESCRIPTION

FIG. 1 is a top plan view of a toolbox with a spirit level; FIG. 2 is a front elevational view thereof; FIG. 3 is a bottom view thereof; FIG. 4 is a left elevational view thereof; FIG. 5 is a rear elevational view thereof; FIG. 6 is a right elevational view thereof; FIG. 7 is a front isometric view thereof; and, FIG. 8 is a rear isometric view thereof.

The broken lines illustrate portions of the toolbox with a spirit level and form no part of the claimed design.

The claimed toolbox with a spirit level is used for storing tools and as a leveling instrument.

1 Claim, 4 Drawing Sheets



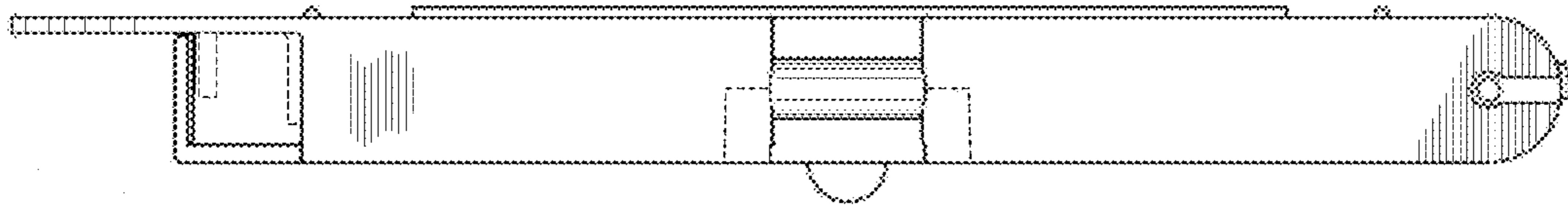


Fig. 1

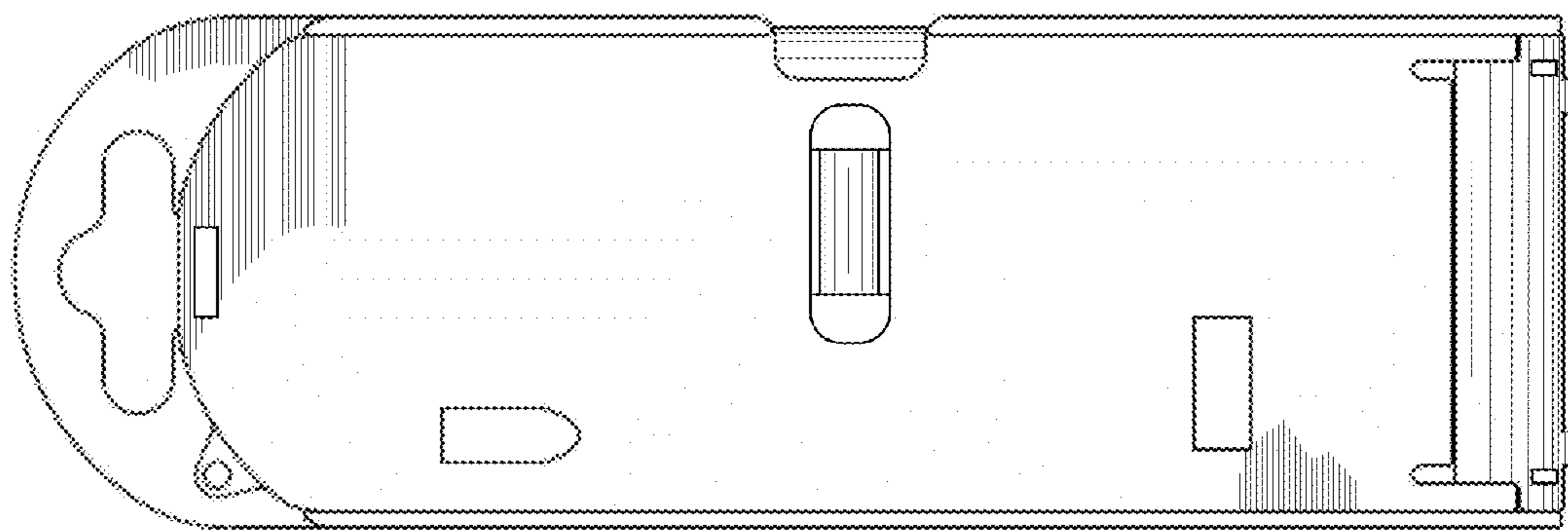


Fig. 2

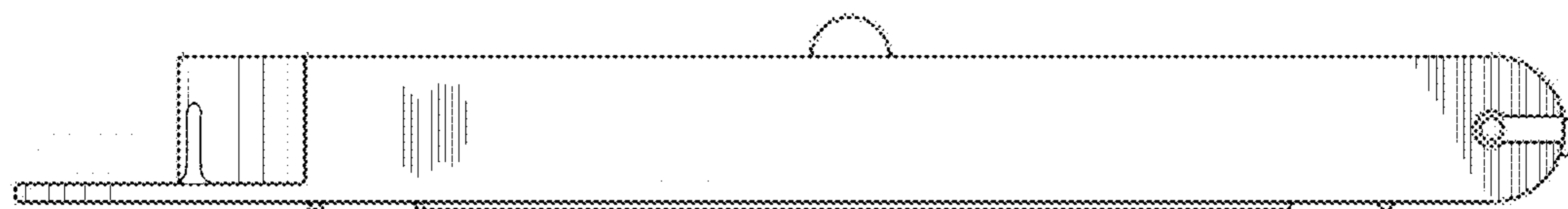


Fig. 3

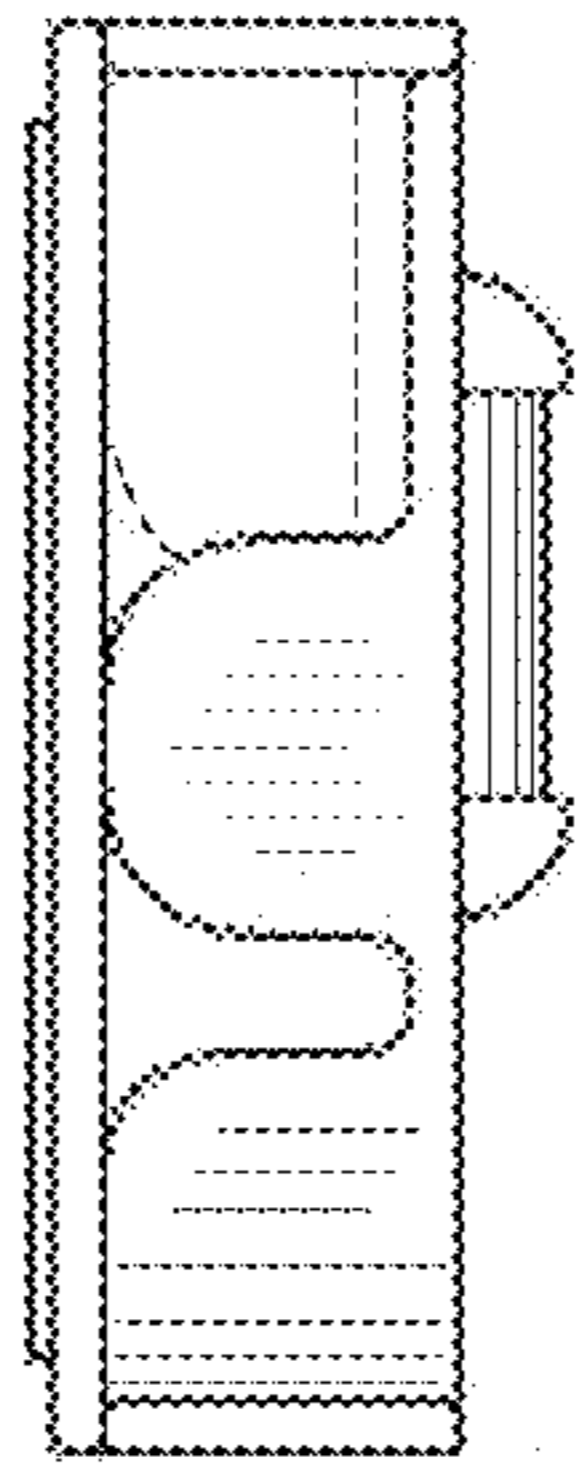


Fig. 4

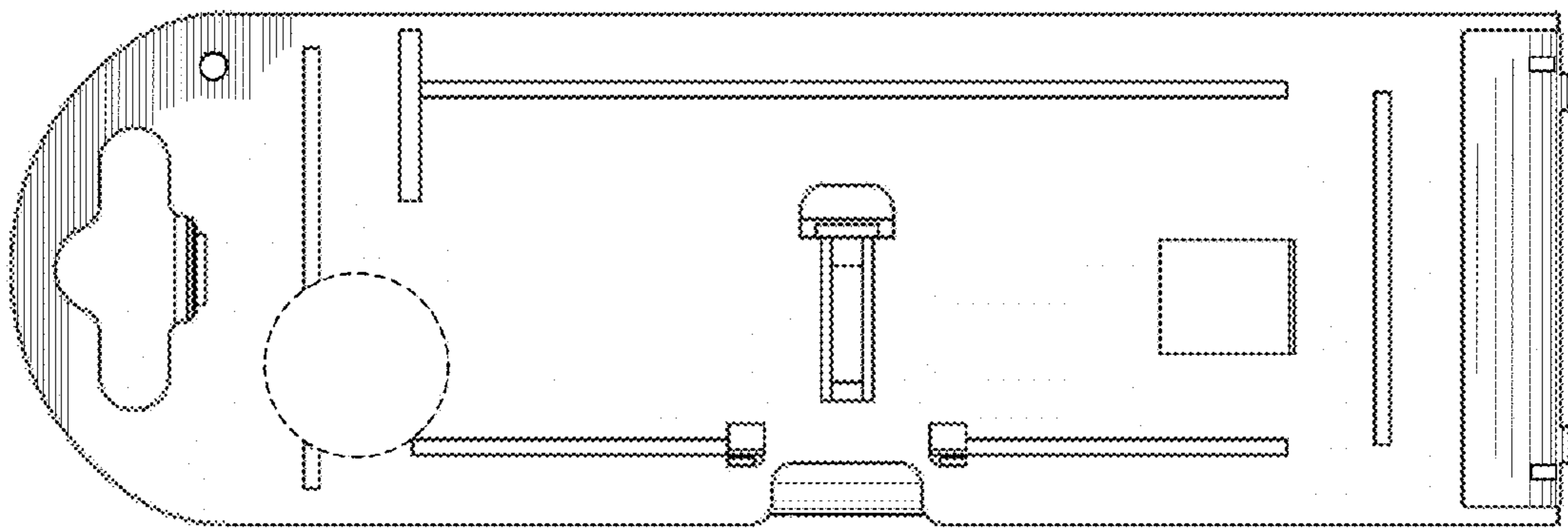


Fig. 5

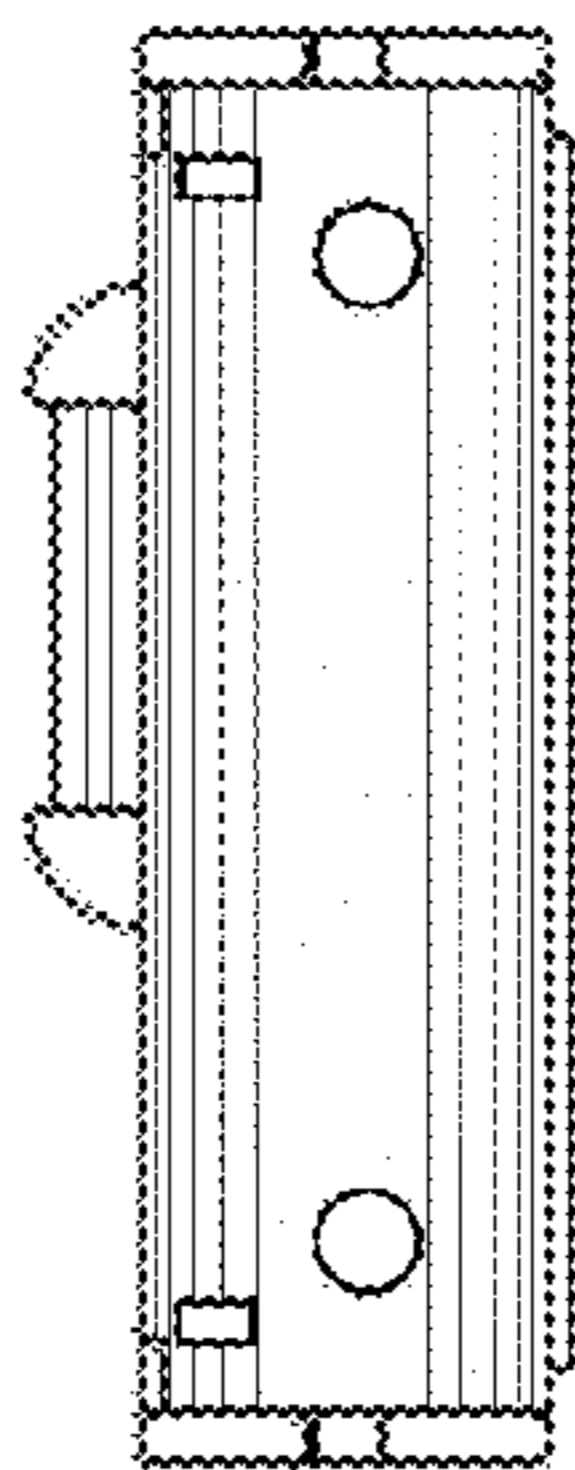


Fig. 6

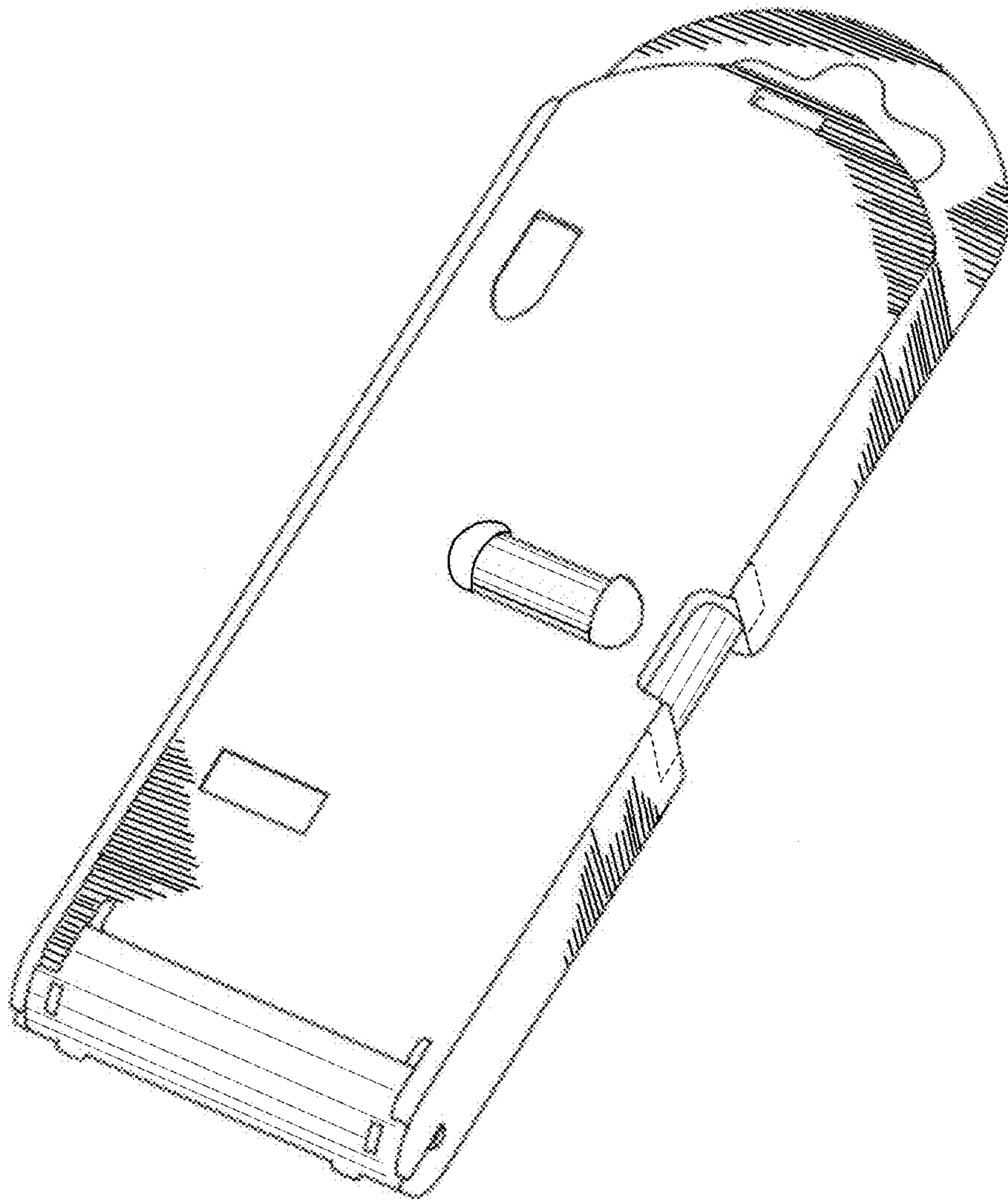


Fig. 7

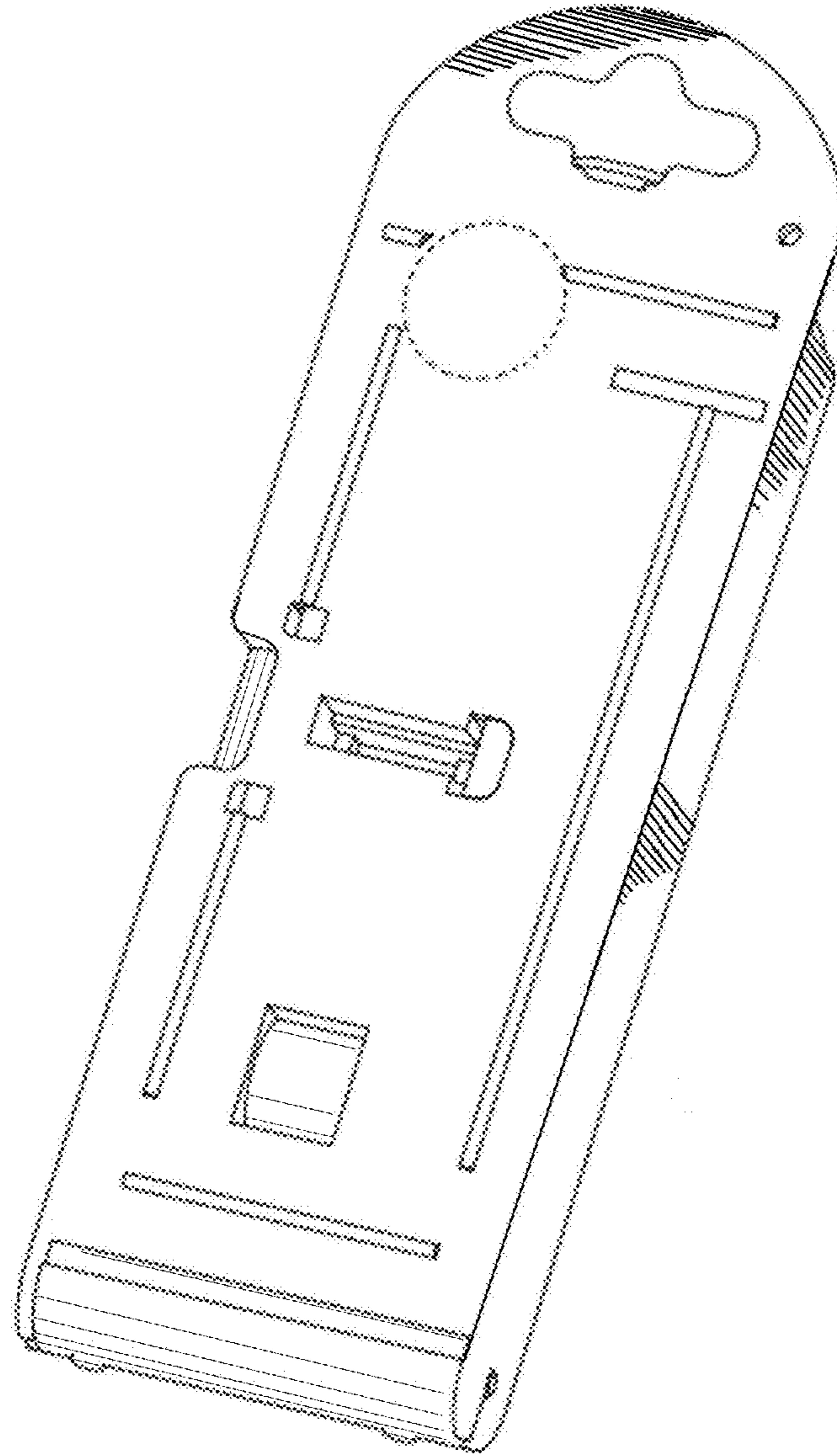


Fig. 8