



US00D723272S

(12) **United States Design Patent**  
**Basha**

(10) **Patent No.:** **US D723,272 S**  
(45) **Date of Patent:** **\*\* Mar. 3, 2015**

- (54) **PURSE**
- (71) Applicant: **Regine Basha**, Great Neck, NY (US)
- (72) Inventor: **Regine Basha**, Great Neck, NY (US)
- (\*\*) Term: **14 Years**
- (21) Appl. No.: **29/465,384**
- (22) Filed: **Aug. 27, 2013**
- (51) **LOC (10) Cl.** ..... **03-01**
- (52) **U.S. Cl.**  
USPC ..... **D3/243**
- (58) **Field of Classification Search**  
CPC ..... A45C 1/024; A45C 3/06  
USPC ..... D3/232-233, 240-243, 245-246;  
150/100, 103-110, 113-114, 117-119  
See application file for complete search history.

- D222,406 S \* 10/1971 Krifchin ..... D3/243
- D231,415 S \* 4/1974 Weber ..... D3/11
- D375,428 S \* 11/1996 Gall et al. .... D6/601
- D422,405 S \* 4/2000 du Sartel ..... D3/243

\* cited by examiner

*Primary Examiner* — Holly Baynham  
(74) *Attorney, Agent, or Firm* — Tarter Krinsky & Drogin LLP

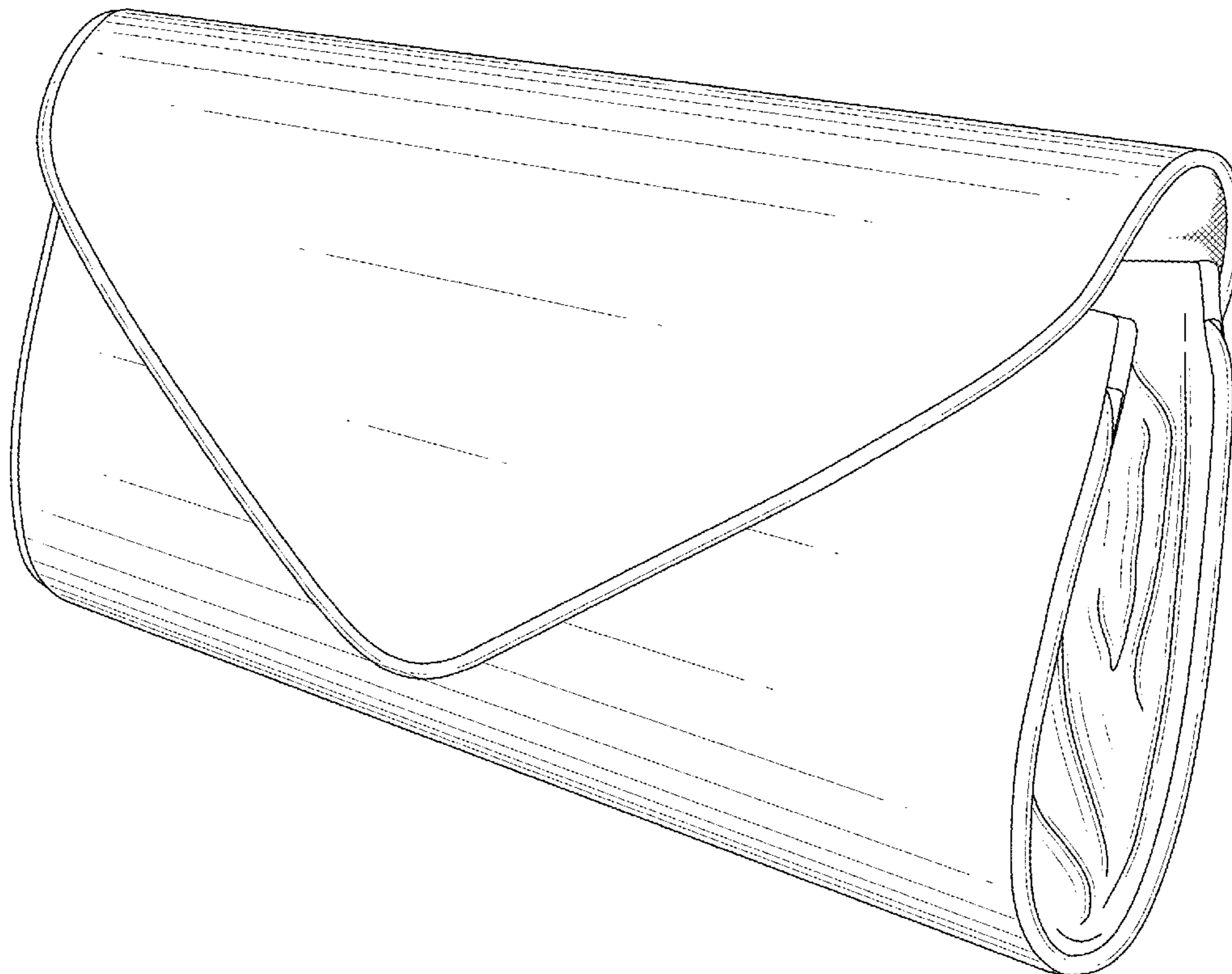
(57) **CLAIM**  
The ornamental design for a purse, as shown and described.

**DESCRIPTION**

FIG. 1 is a front perspective view of a first embodiment of a purse;  
 FIG. 2 is a front view thereof;  
 FIG. 3 is a rear view thereof;  
 FIG. 4 is a first side view thereof;  
 FIG. 5 is another side view thereof;  
 FIG. 6 is a top view thereof;  
 FIG. 7 is a bottom view thereof; and,  
 FIG. 8 is a front perspective view thereof with a top portion of the purse in an open position.  
 The broken lines showing a zipper, tabs, fastener, and purse contents are for the purposes of illustrating environment and form no part of the claimed design.

**1 Claim, 7 Drawing Sheets**

- (56) **References Cited**  
U.S. PATENT DOCUMENTS  
1,562,408 A \* 11/1925 Berkowitz ..... 150/103  
1,598,719 A \* 9/1926 Hering ..... 150/108  
1,915,083 A \* 6/1933 Bodenstein ..... 453/54  
1,994,746 A \* 3/1935 Banner ..... 150/103  
2,101,997 A \* 12/1937 Goldberg ..... 150/117  
D160,475 S \* 10/1950 Krifchin ..... D3/243



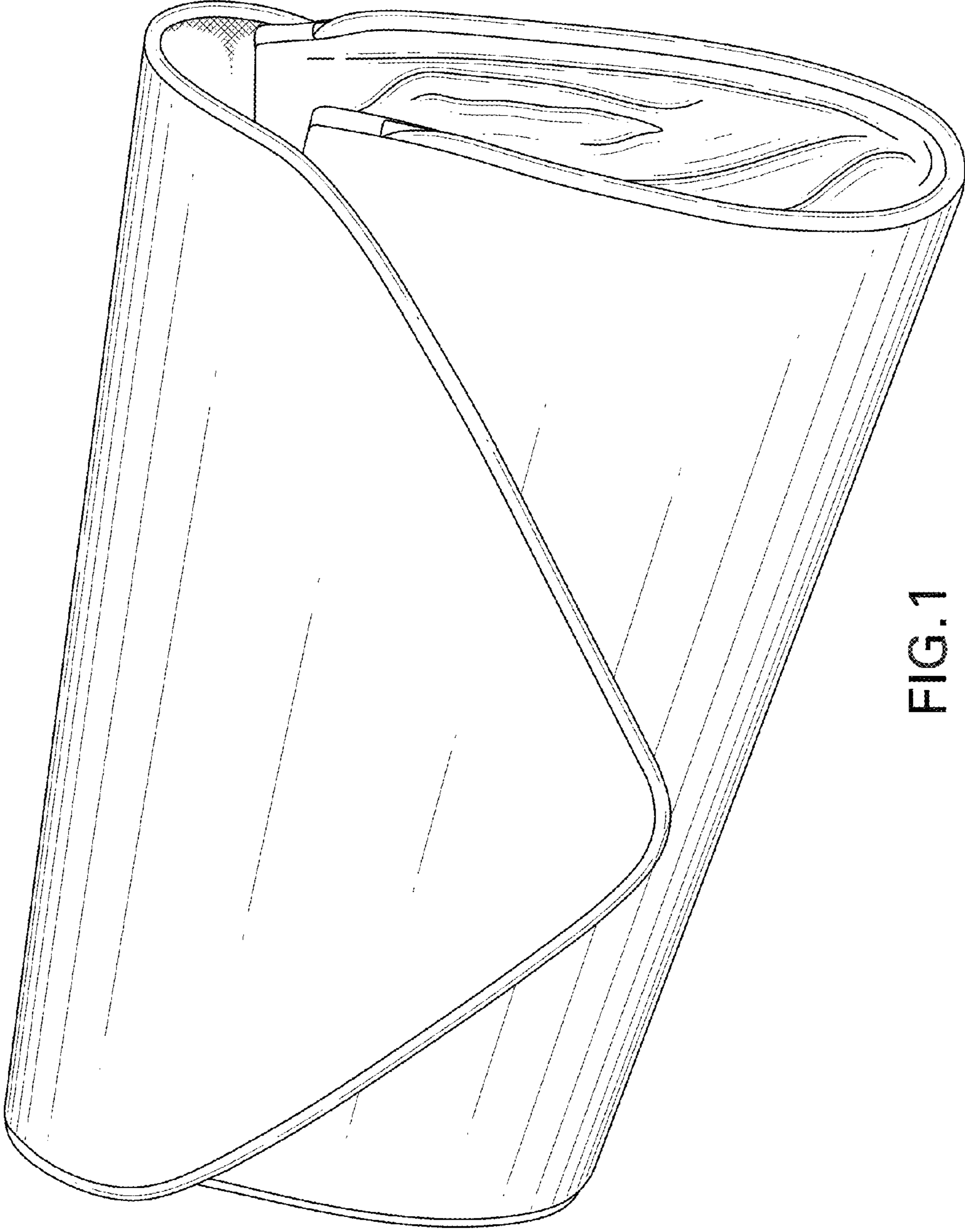


FIG. 1

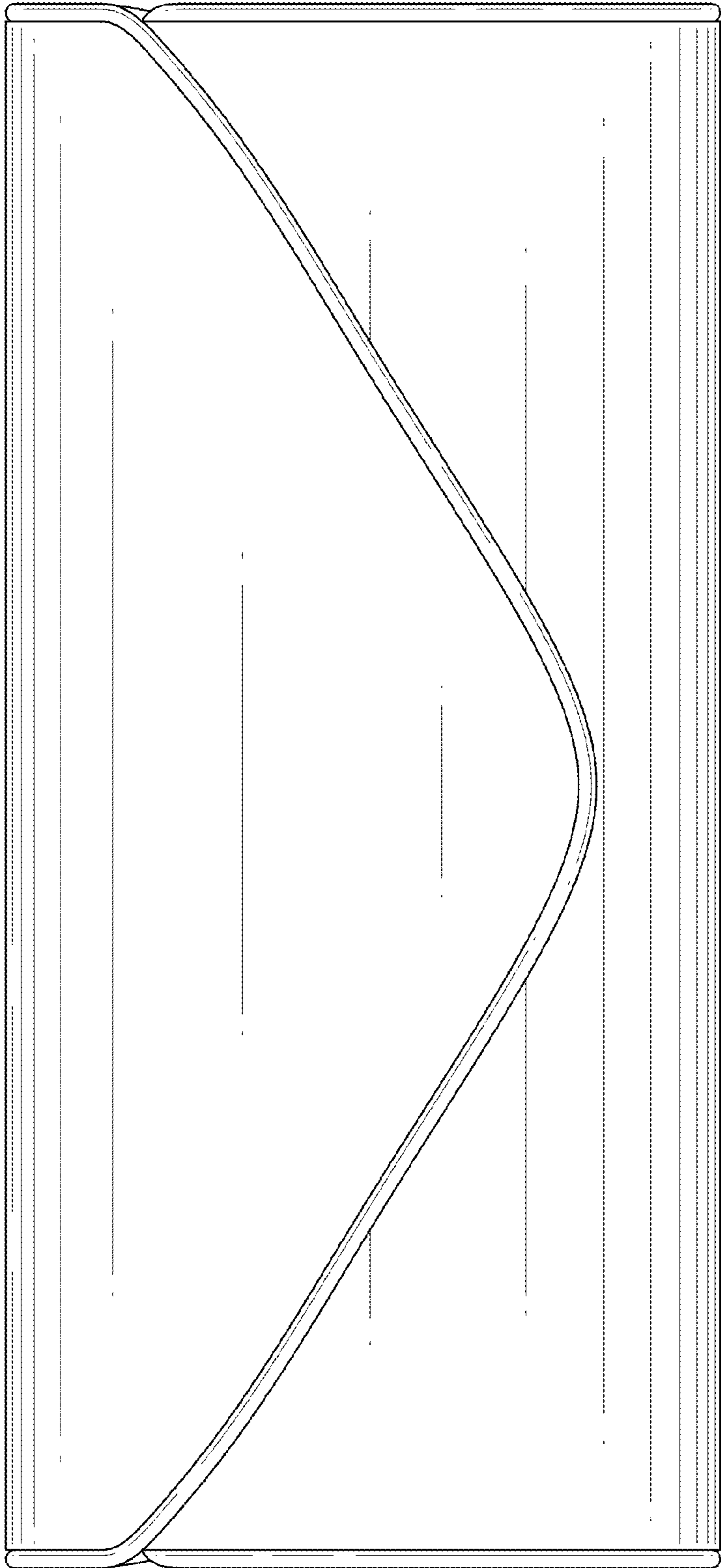


FIG. 2

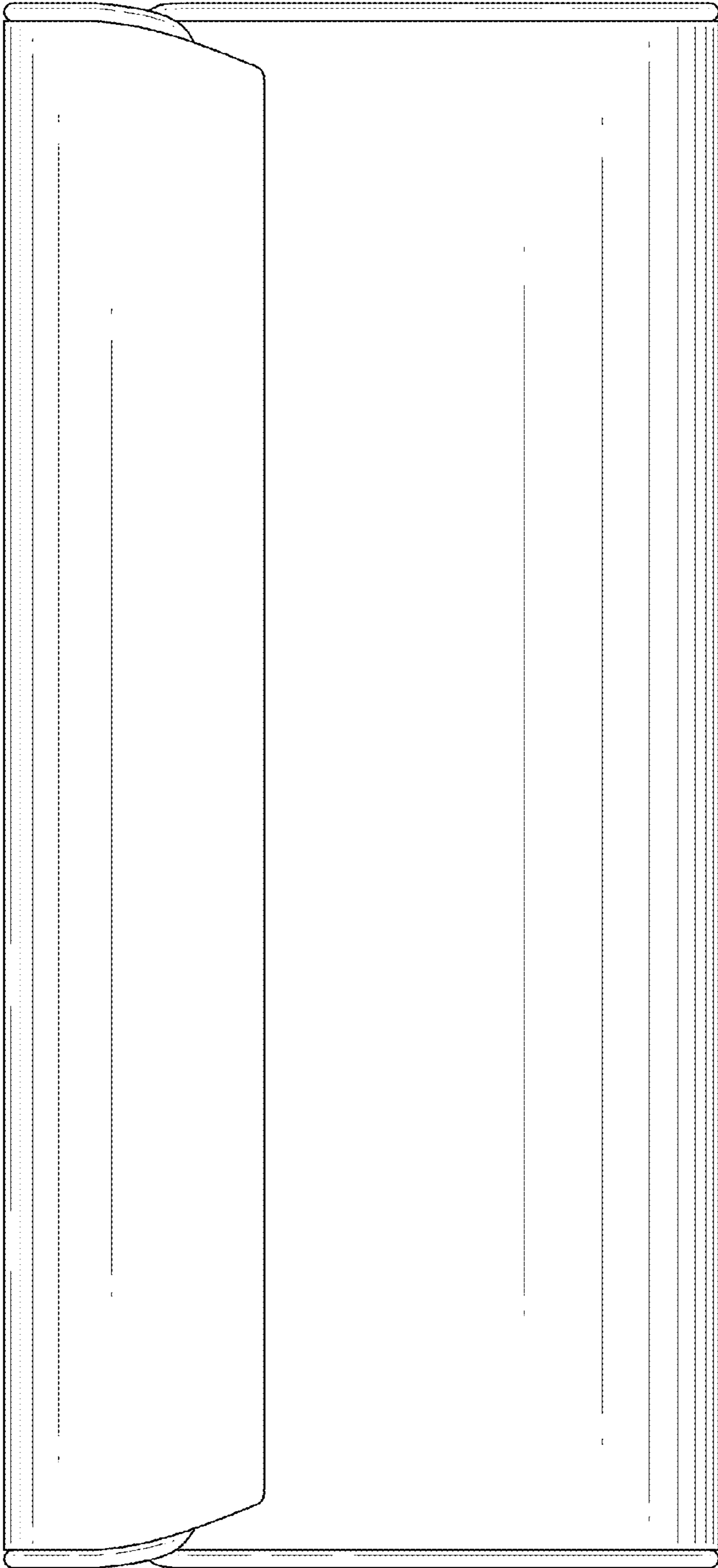


FIG. 3

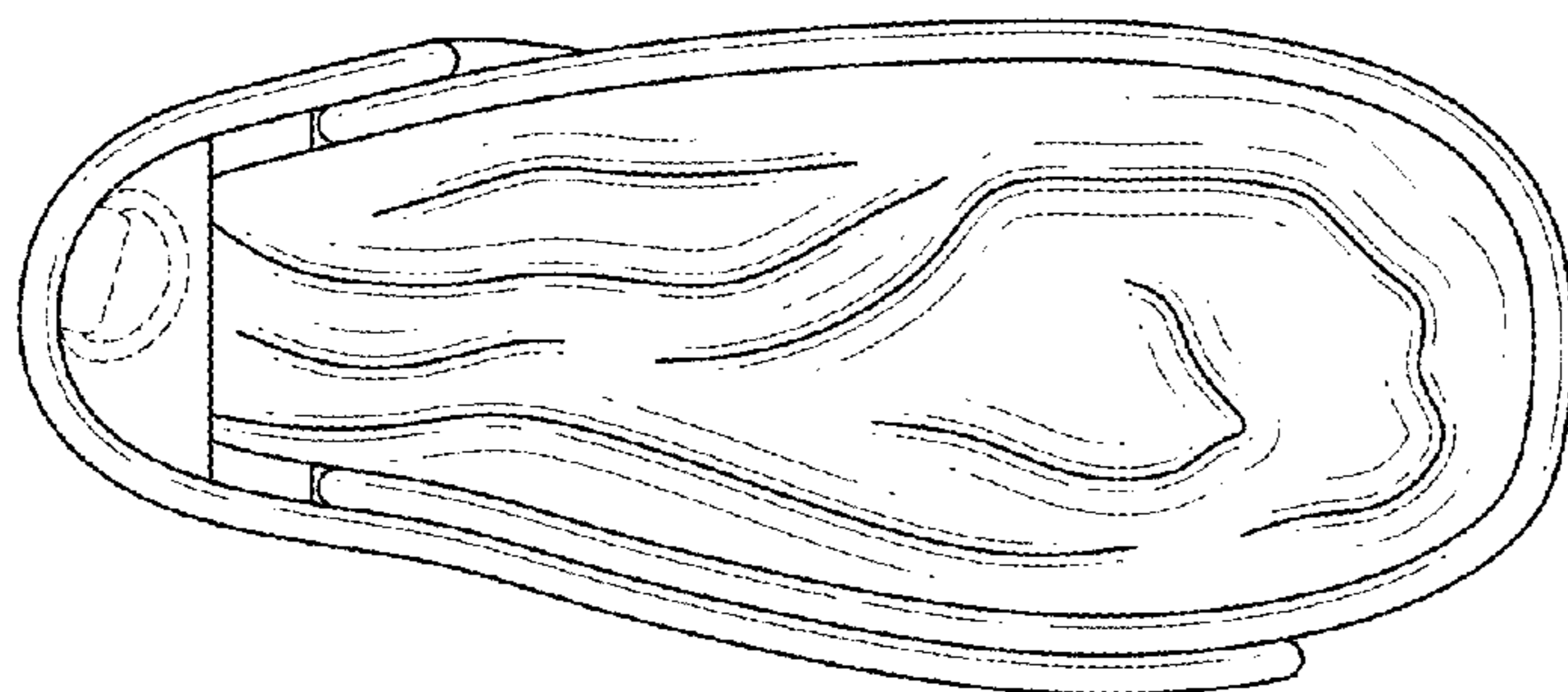


FIG. 5

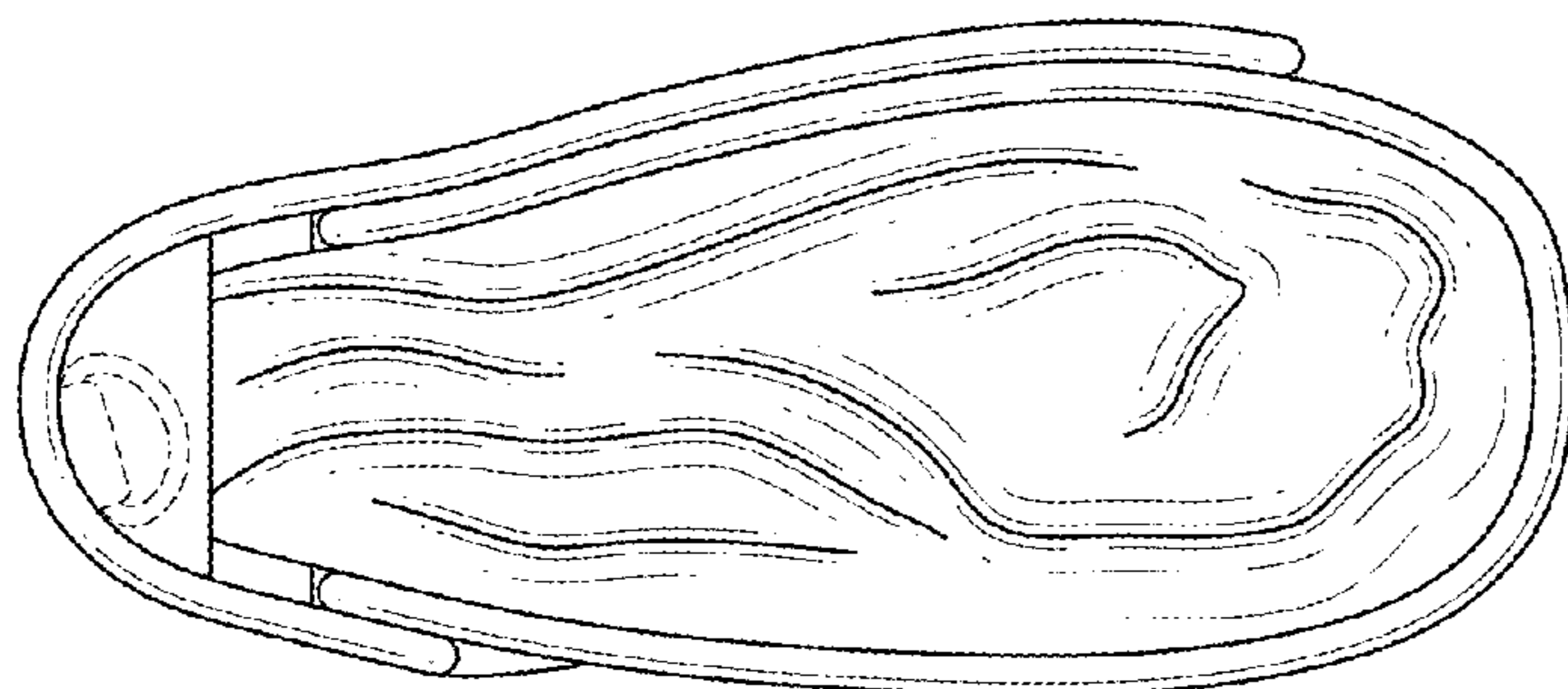


FIG. 4

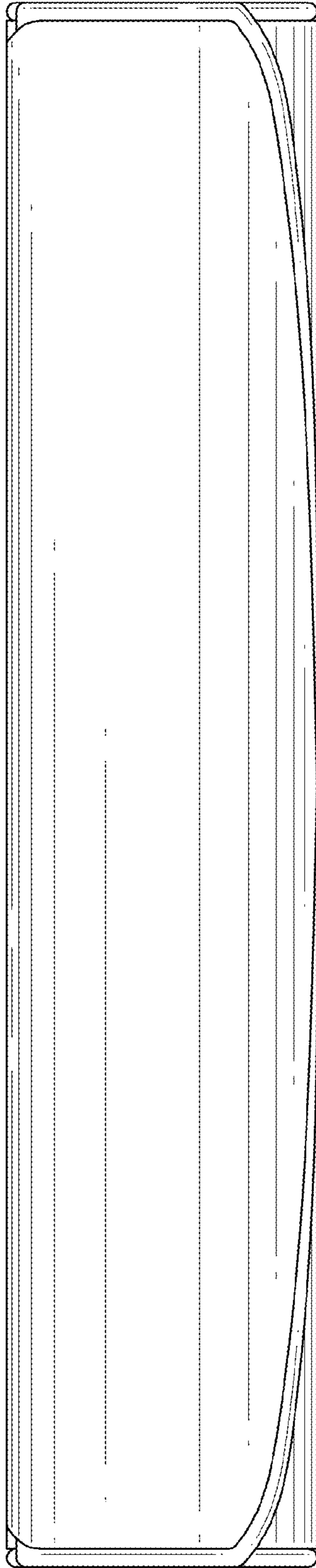


FIG. 6

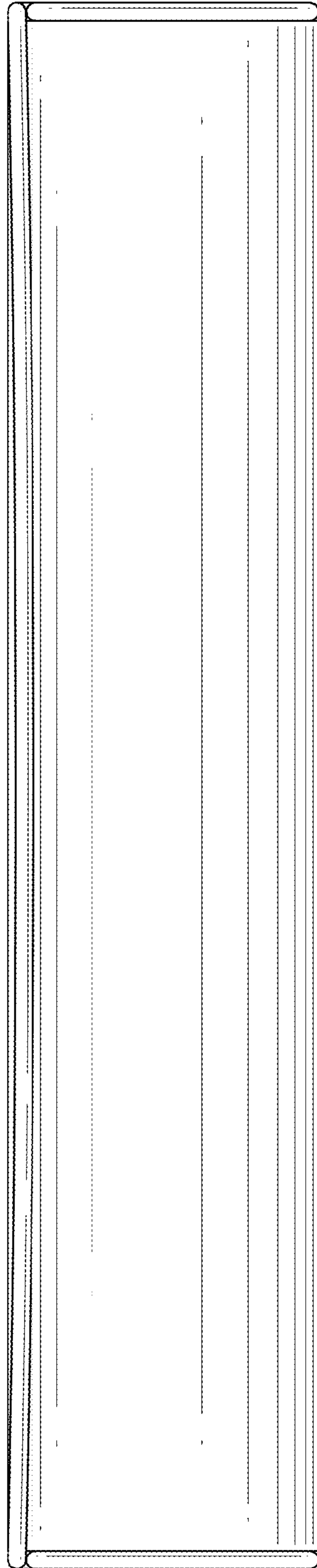


FIG. 7

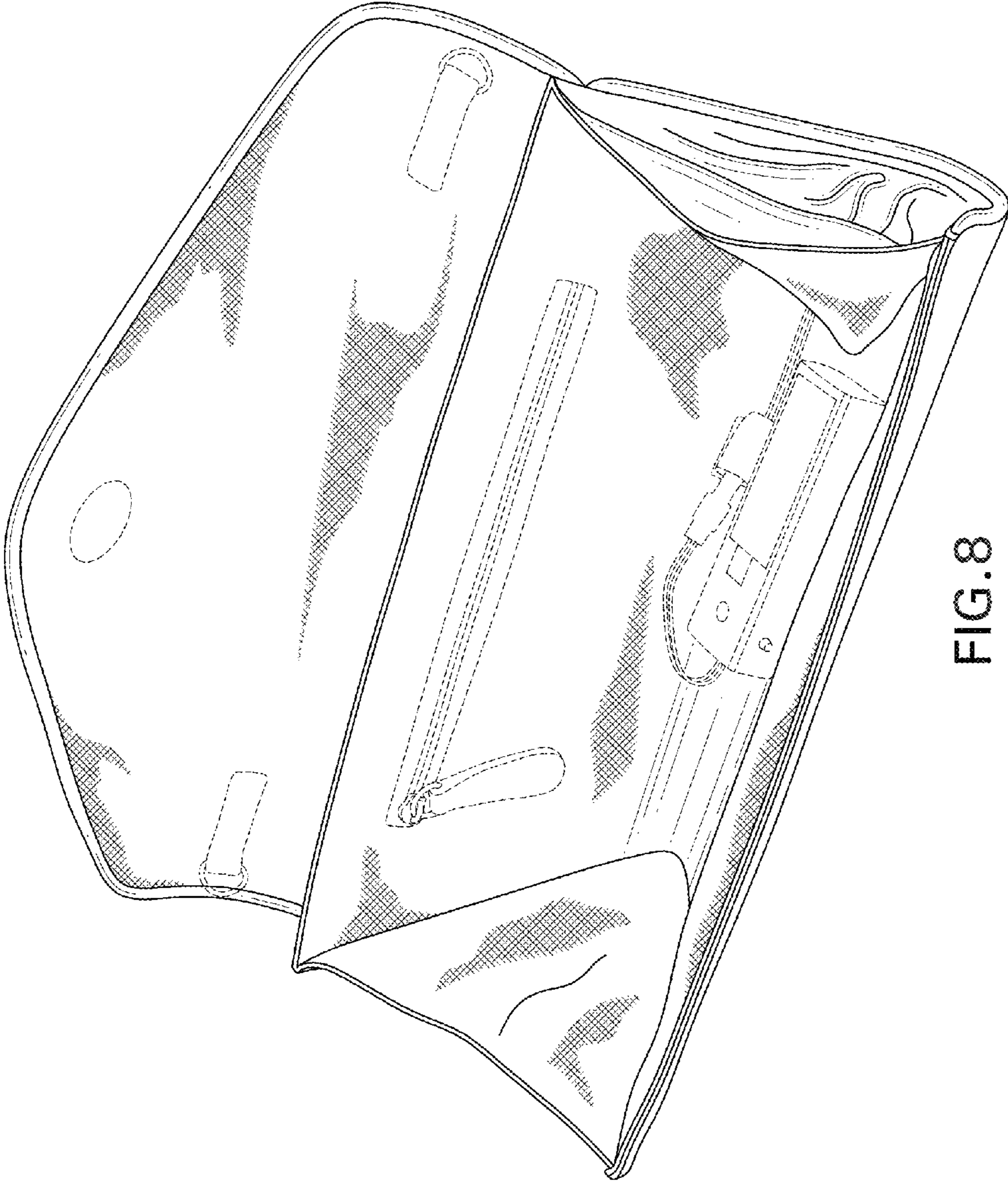


FIG. 8