



US00D723270S

(12) **United States Design Patent**  
**Basha**

(10) **Patent No.:** **US D723,270 S**  
(45) **Date of Patent:** **\*\* Mar. 3, 2015**

- (54) **PURSE**
- (71) Applicant: **Regine Basha**, Great Neck, NY (US)
- (72) Inventor: **Regine Basha**, Great Neck, NY (US)
- (\*\*) Term: **14 Years**
- (21) Appl. No.: **29/465,316**
- (22) Filed: **Aug. 27, 2013**
- (51) **LOC (10) Cl.** ..... **03-01**
- (52) **U.S. Cl.**  
USPC ..... **D3/243**
- (58) **Field of Classification Search**  
CPC ..... A45C 1/024; A45C 3/06  
USPC ..... D3/240-243, 245-246; 150/100,  
150/103-110, 113-114, 117-119  
See application file for complete search history.

(56) **References Cited**

**U.S. PATENT DOCUMENTS**

- D635,355 S \* 4/2011 Smith ..... D3/232
- D656,726 S \* 4/2012 Flores ..... D3/232

\* cited by examiner

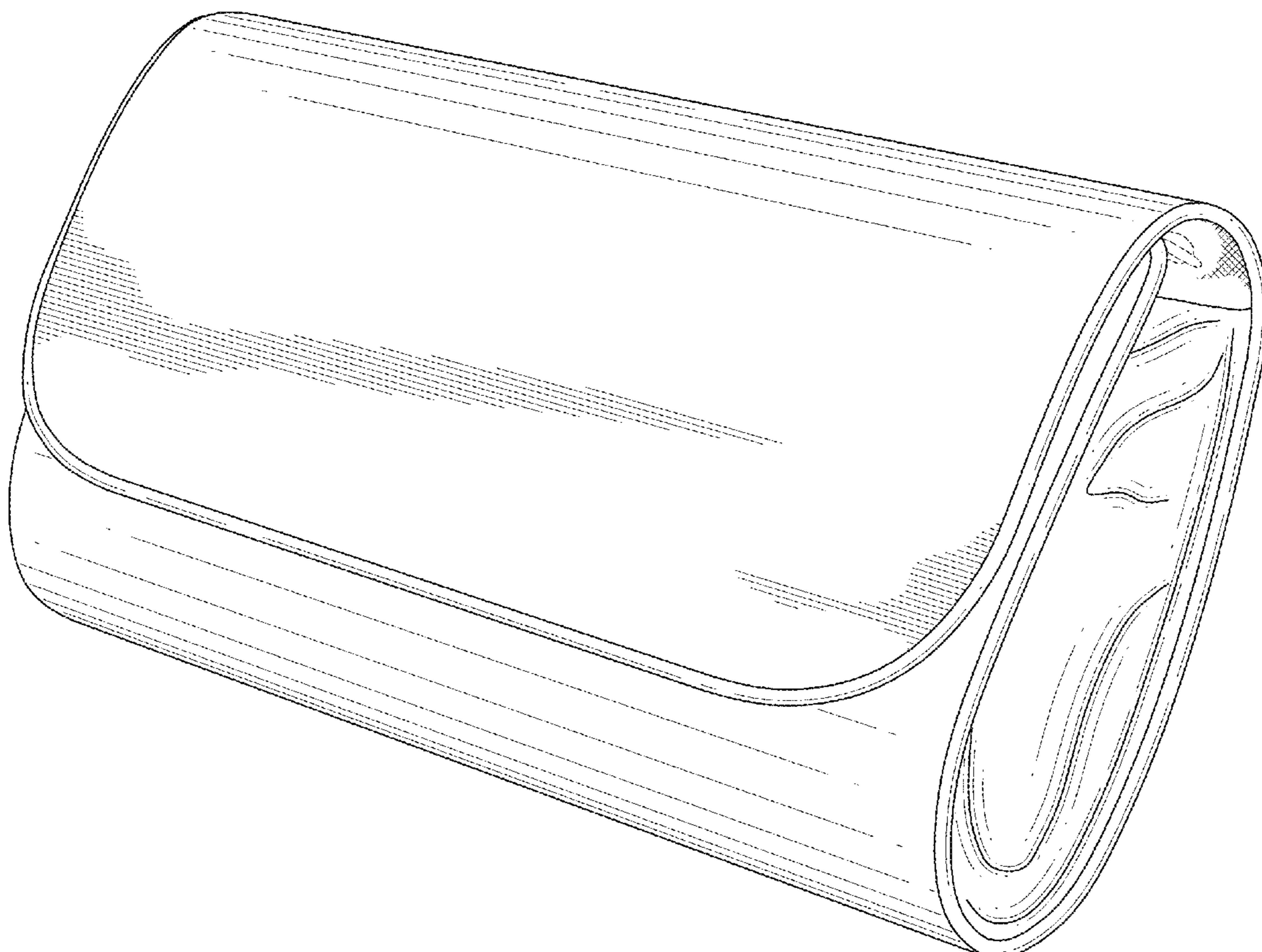
*Primary Examiner* — Holly Baynham  
(74) *Attorney, Agent, or Firm* — Tarter Krinsky & Drogin LLP

(57) **CLAIM**  
The ornamental design for a purse, as shown and described.

**DESCRIPTION**

FIG. 1 is a front perspective view of a first embodiment of a purse;  
FIG. 2 is a front view thereof;  
FIG. 3 is a rear view thereof;  
FIG. 4 is a first side view thereof;  
FIG. 5 is another side view thereof;  
FIG. 6 is a top view thereof;  
FIG. 7 is a bottom view thereof; and,  
FIG. 8 is a front perspective view thereof with a top portion of the purse in an open position.  
The broken lines showing a zipper, tabs, fastener, and purse contents are for the purposes of illustrating environment and form no part of the claimed design.

**1 Claim, 7 Drawing Sheets**



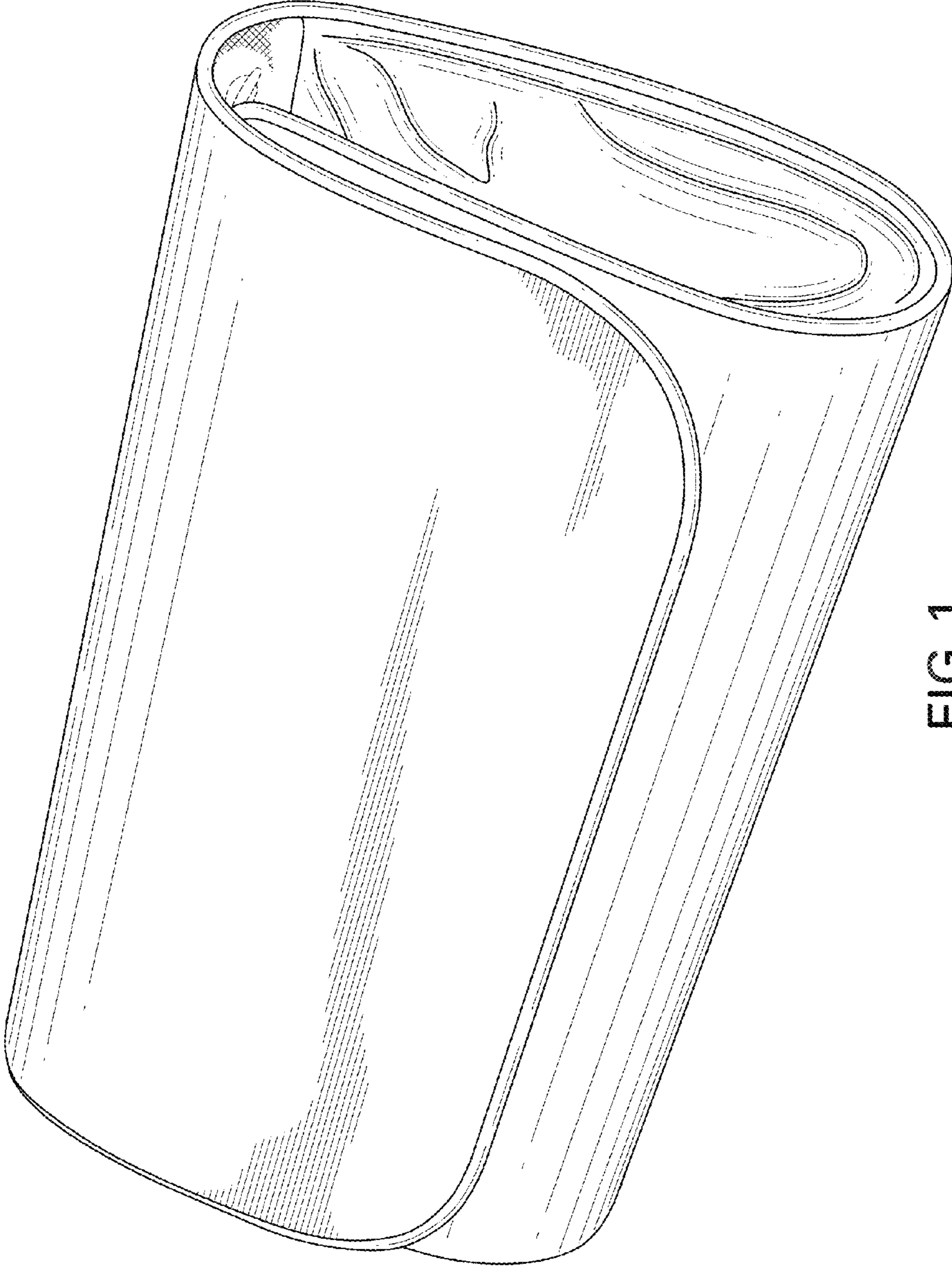


FIG. 1

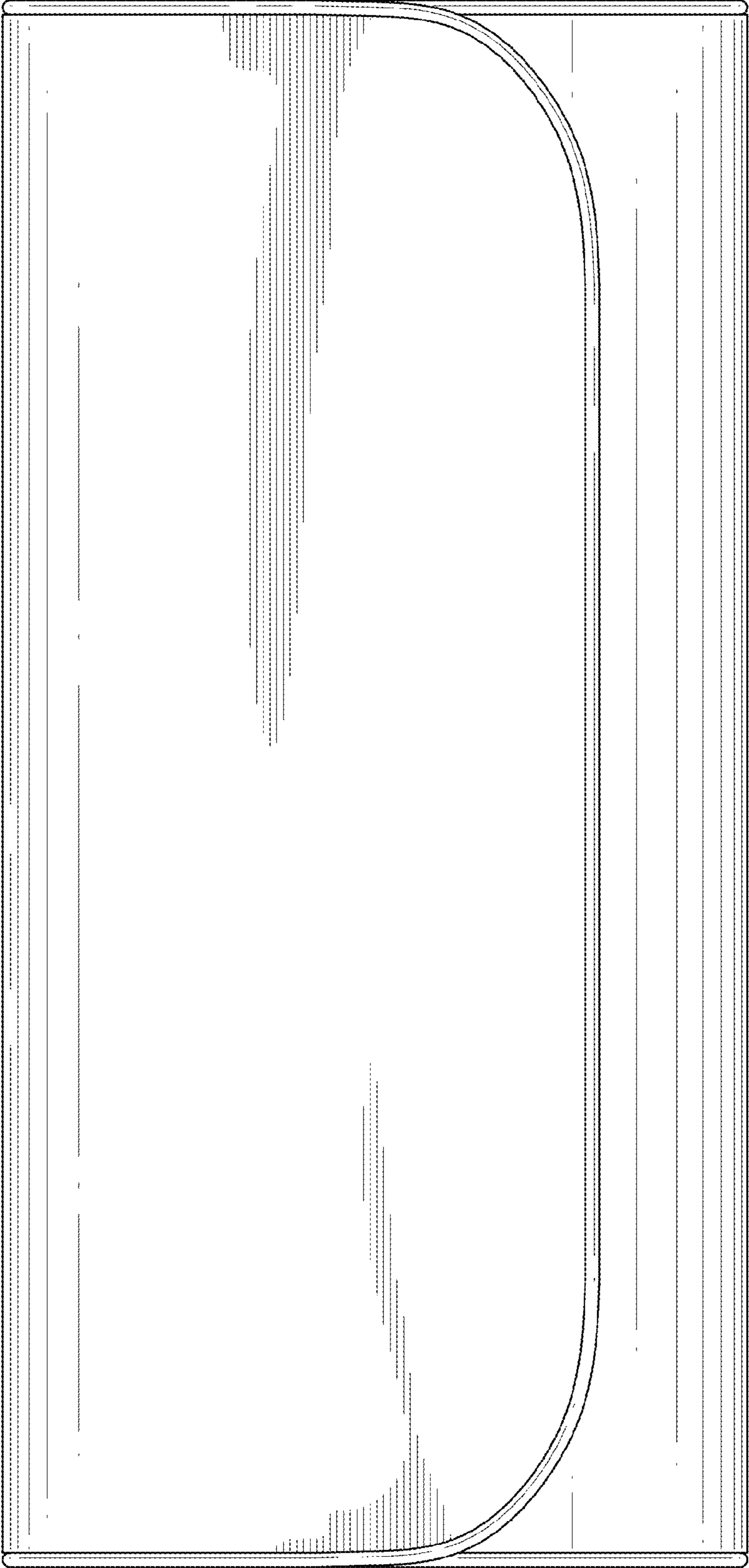


FIG. 2

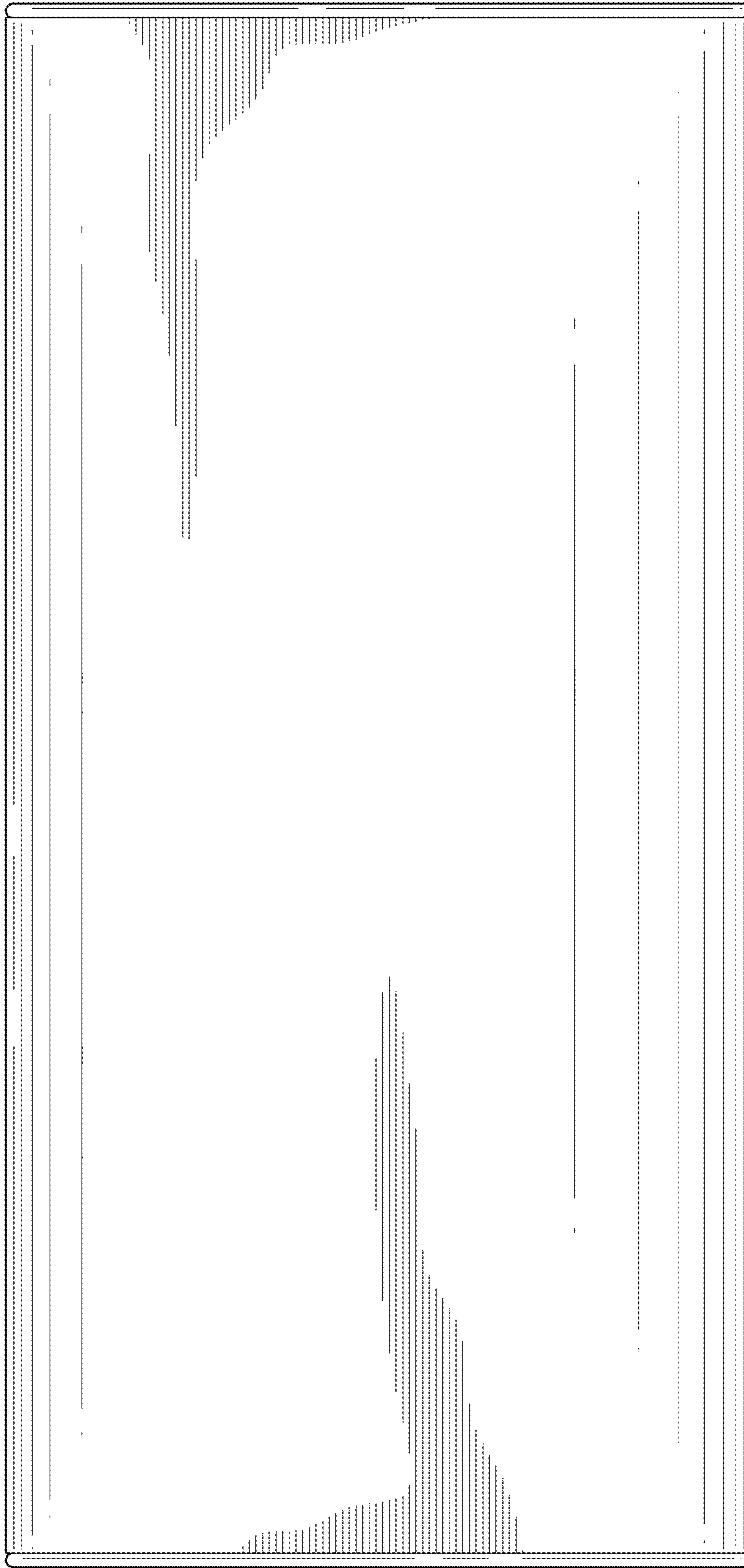


FIG. 3



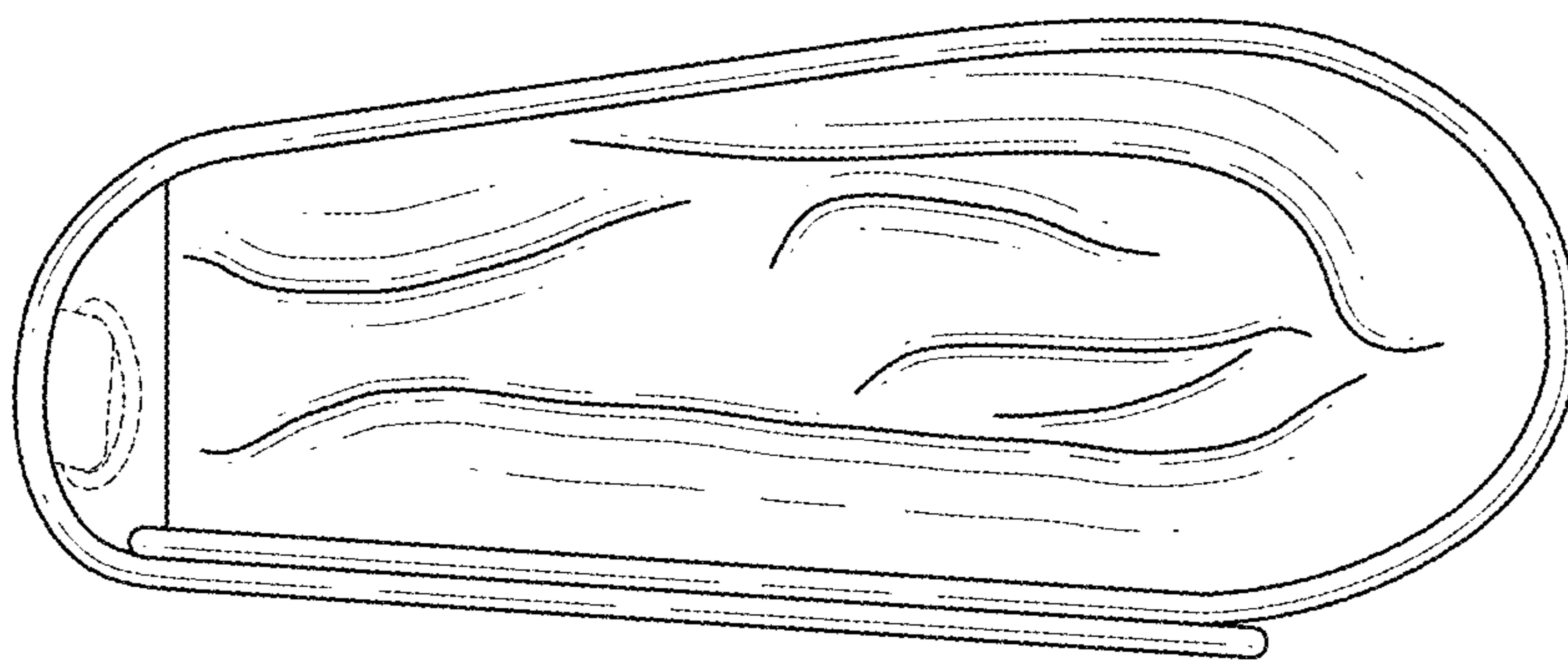


FIG. 5



FIG. 4

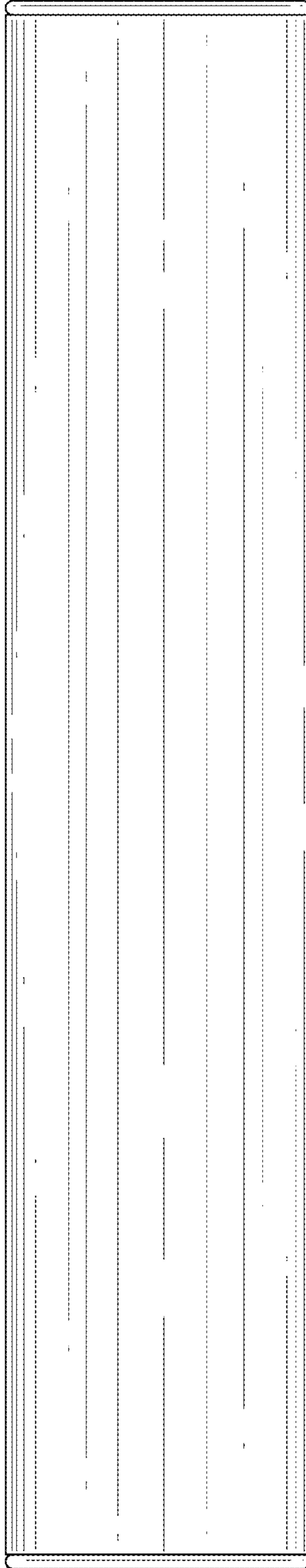


FIG. 6

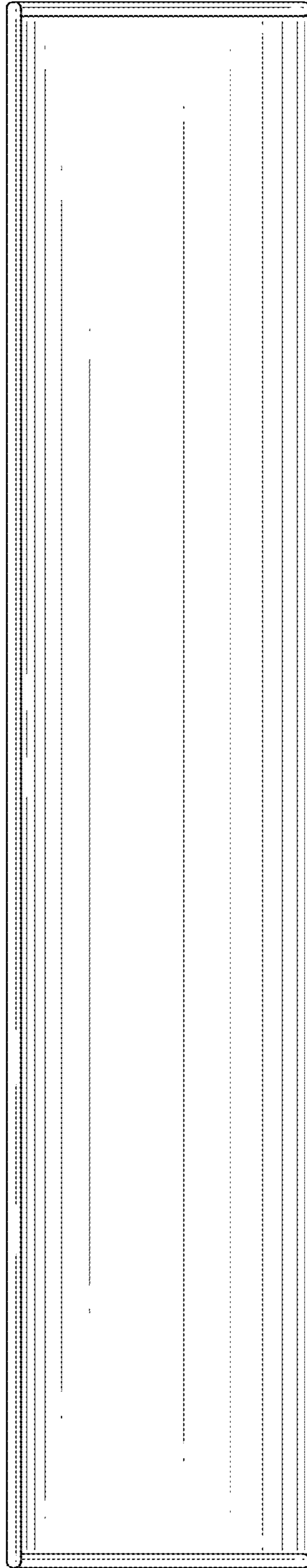


FIG. 7

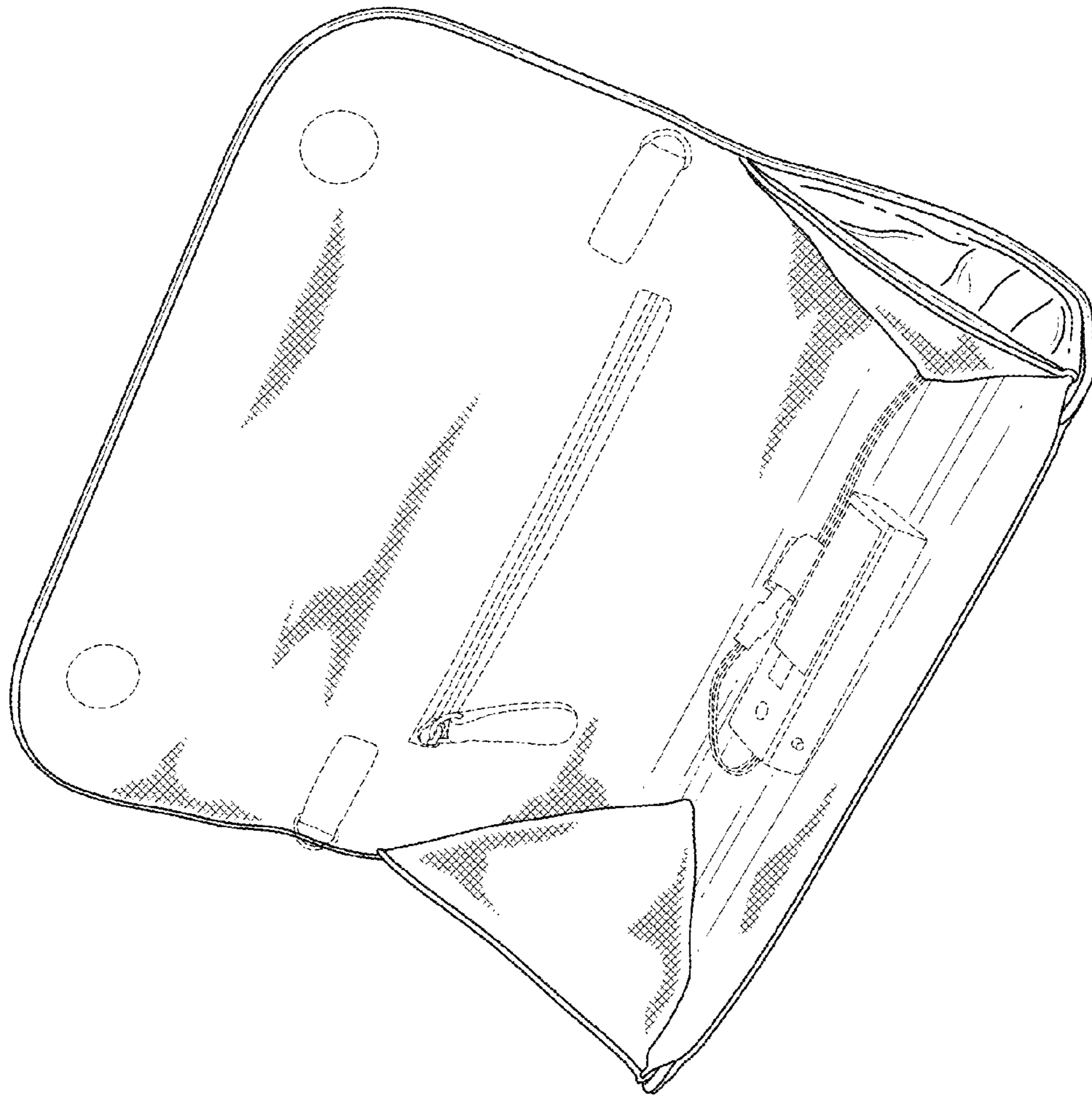


FIG. 8