



US00D723269S

(12) **United States Design Patent**
Brown

(10) **Patent No.:** **US D723,269 S**

(45) **Date of Patent:** **** Mar. 3, 2015**

(54) **POCKETBOOK PROTECTIVE COVER**

(71) Applicant: **Celeste A Brown**, New York, NY (US)

(72) Inventor: **Celeste A Brown**, New York, NY (US)

(**) Term: **14 Years**

(21) Appl. No.: **29/475,926**

(22) Filed: **Dec. 9, 2013**

(51) **LOC (10) Cl.** **03-01**

(52) **U.S. Cl.**
USPC **D3/233**

(58) **Field of Classification Search**
USPC D3/232–234, 240–246, 318, 321,
D3/323–328, 226, 229, 230, 270, 306;
150/100, 103–110, 117–119
See application file for complete search history.

(56) **References Cited**

U.S. PATENT DOCUMENTS

1,735,655	A *	11/1929	Pitkin	150/108
D502,805	S *	3/2005	Gonzalez	D3/243
D524,044	S *	7/2006	Higgins et al.	D3/242
D525,027	S *	7/2006	Higgins et al.	D3/242
D625,516	S *	10/2010	Krakoff	D3/245
D658,366	S *	5/2012	Platt et al.	D3/233
D661,089	S *	6/2012	Seegmiller et al.	D3/233
D675,821	S *	2/2013	Vidal	D3/243
D677,883	S *	3/2013	Brown	D3/233

D684,766	S *	6/2013	Gerbi	D3/243
D686,820	S *	7/2013	Song	D3/243
2006/0157175	A1 *	7/2006	Pace et al.	150/105
2007/0209742	A1 *	9/2007	Morgan	150/105

* cited by examiner

Primary Examiner — Carla Jobe Wright

Assistant Examiner — Holly E Thurman

(74) *Attorney, Agent, or Firm* — FisherBroyles LLP;
Richard M. Lehrer

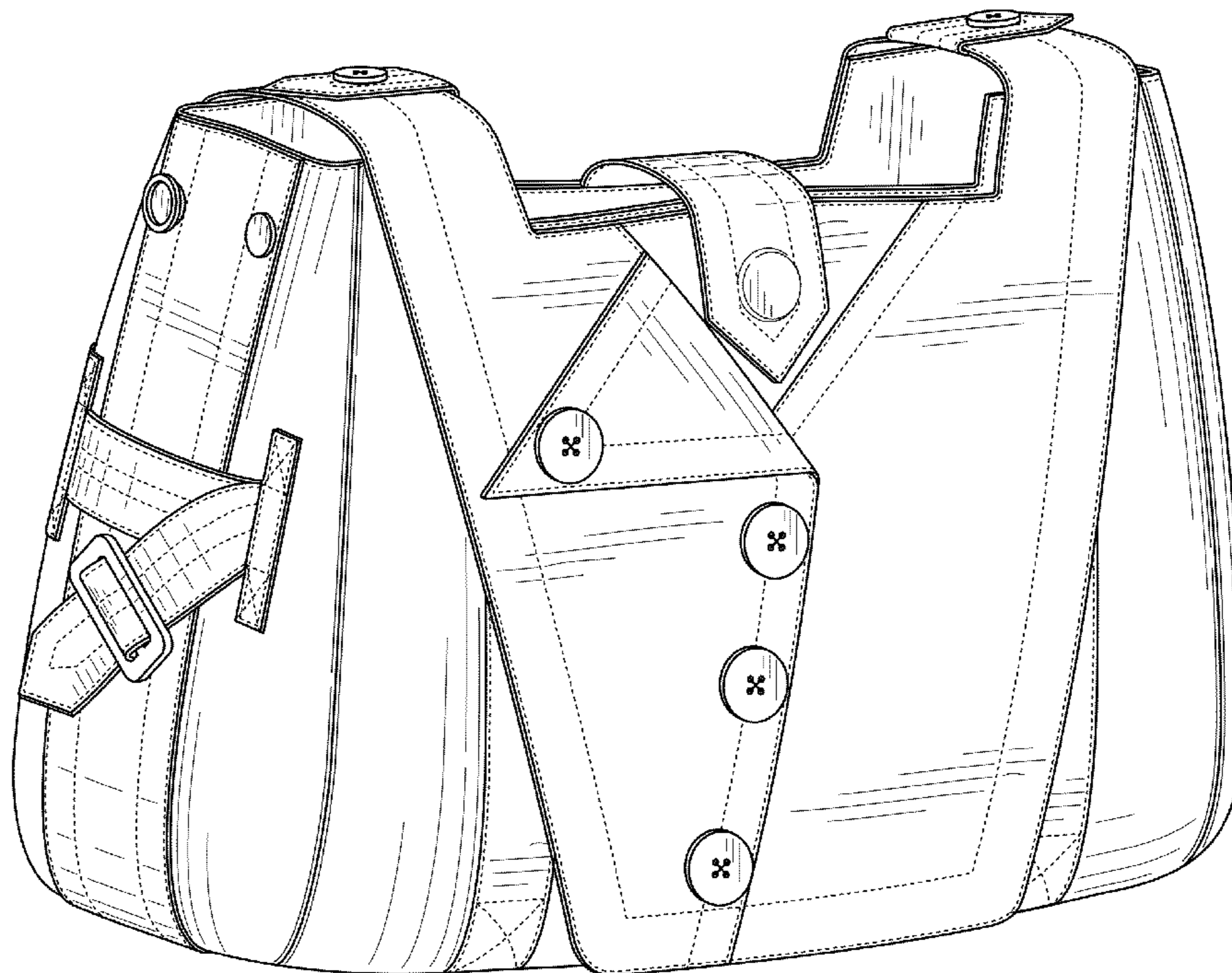
(57) **CLAIM**

The ornamental design for a pocketbook protective cover, as shown and described.

DESCRIPTION

FIG. 1 is a perspective view of a pocketbook protective cover in accordance with the invention;
FIG. 2 is a front view thereof;
FIG. 3 is a rear view thereof;
FIG. 4 is a left side view thereof;
FIG. 5 is a right side view thereof;
FIG. 6 is a top view thereof; and,
FIG. 7 is a bottom view thereof.
The broken lines shown on the pocketbook protective cover depict decorative stitching which forms part of the claimed design. The interior portions of the cover that are visible in FIG. 6 as four unshaded surfaces bounded by solid lines form no part of the claimed design.

1 Claim, 5 Drawing Sheets



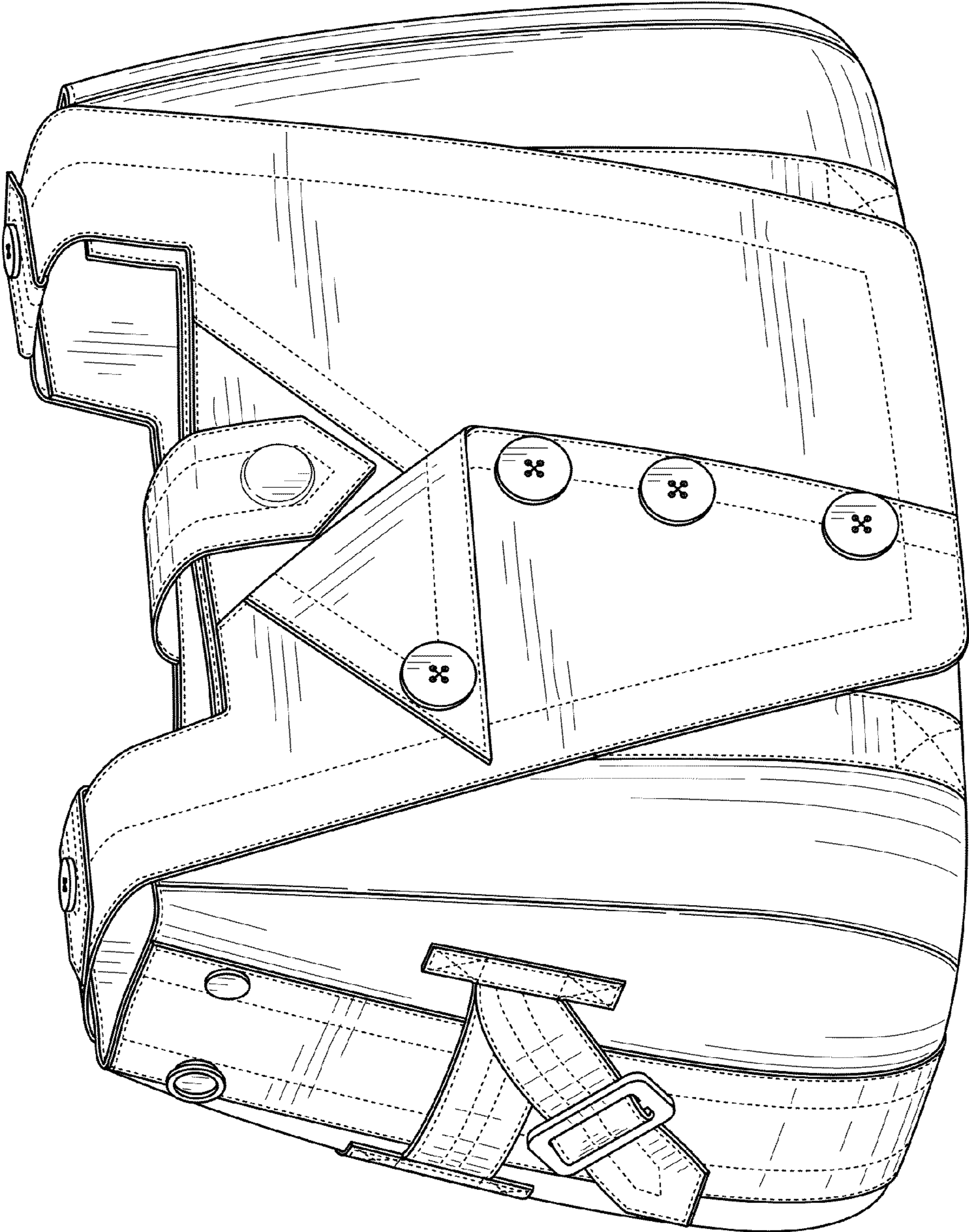


FIG. 1

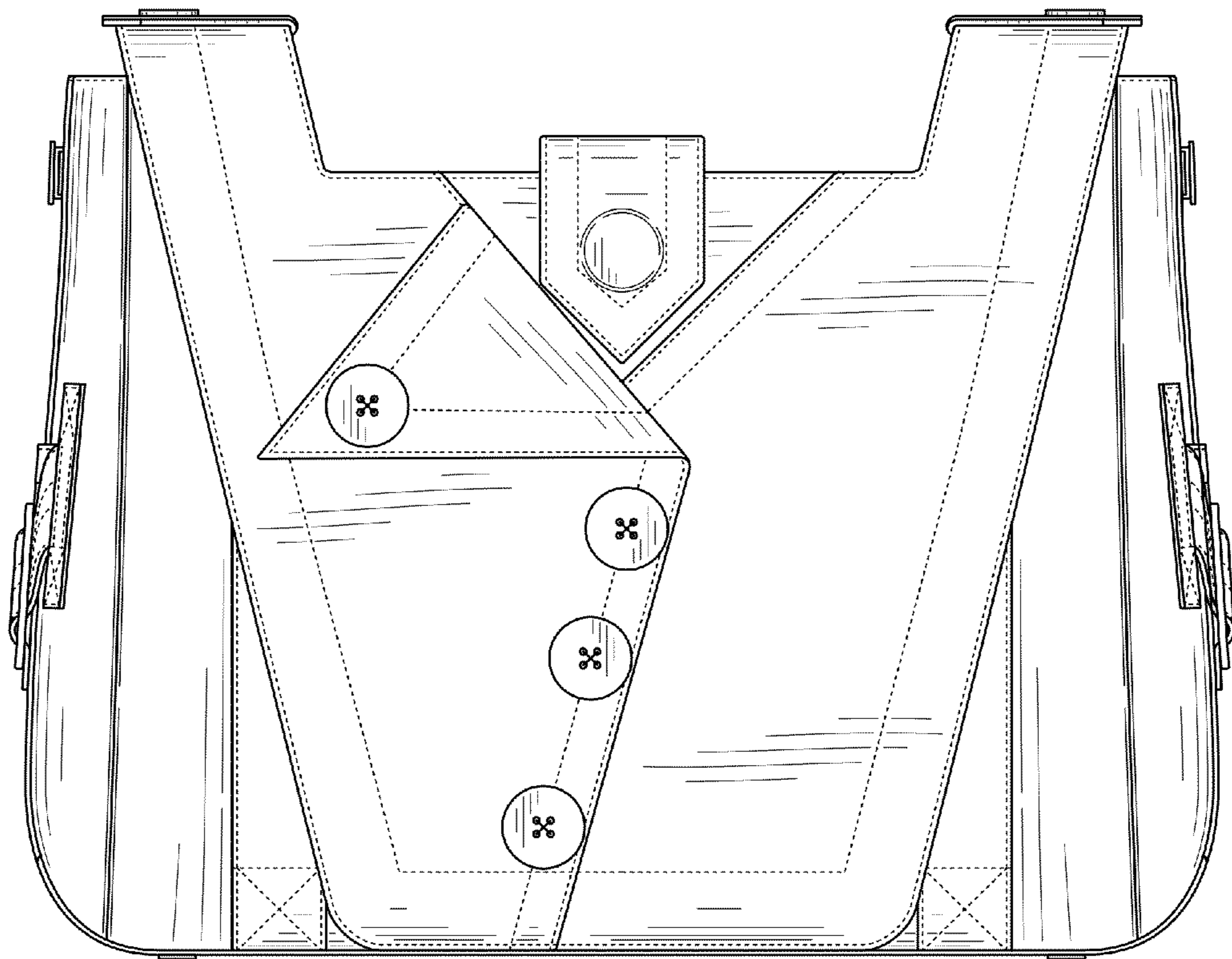


FIG. 2

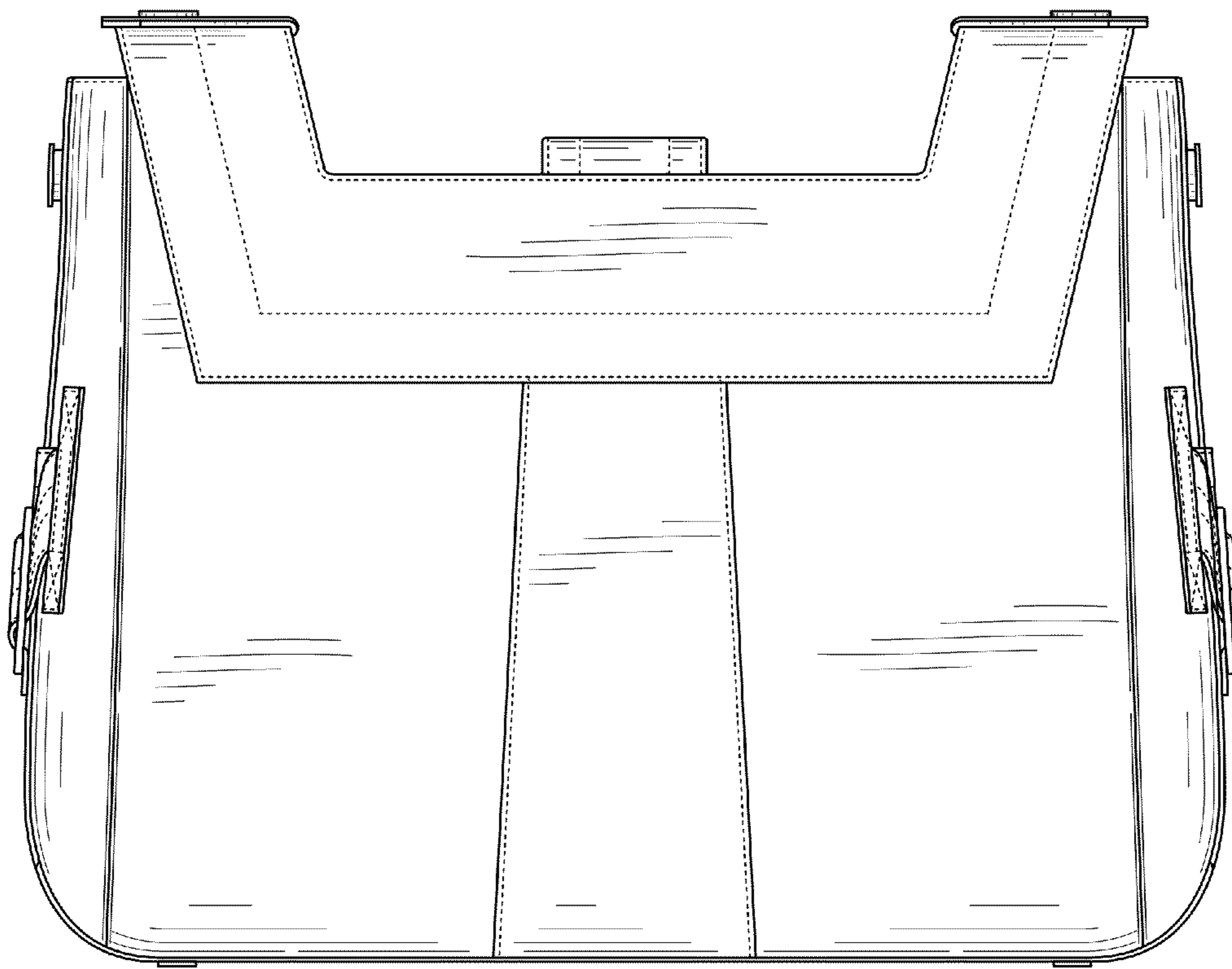


FIG. 3

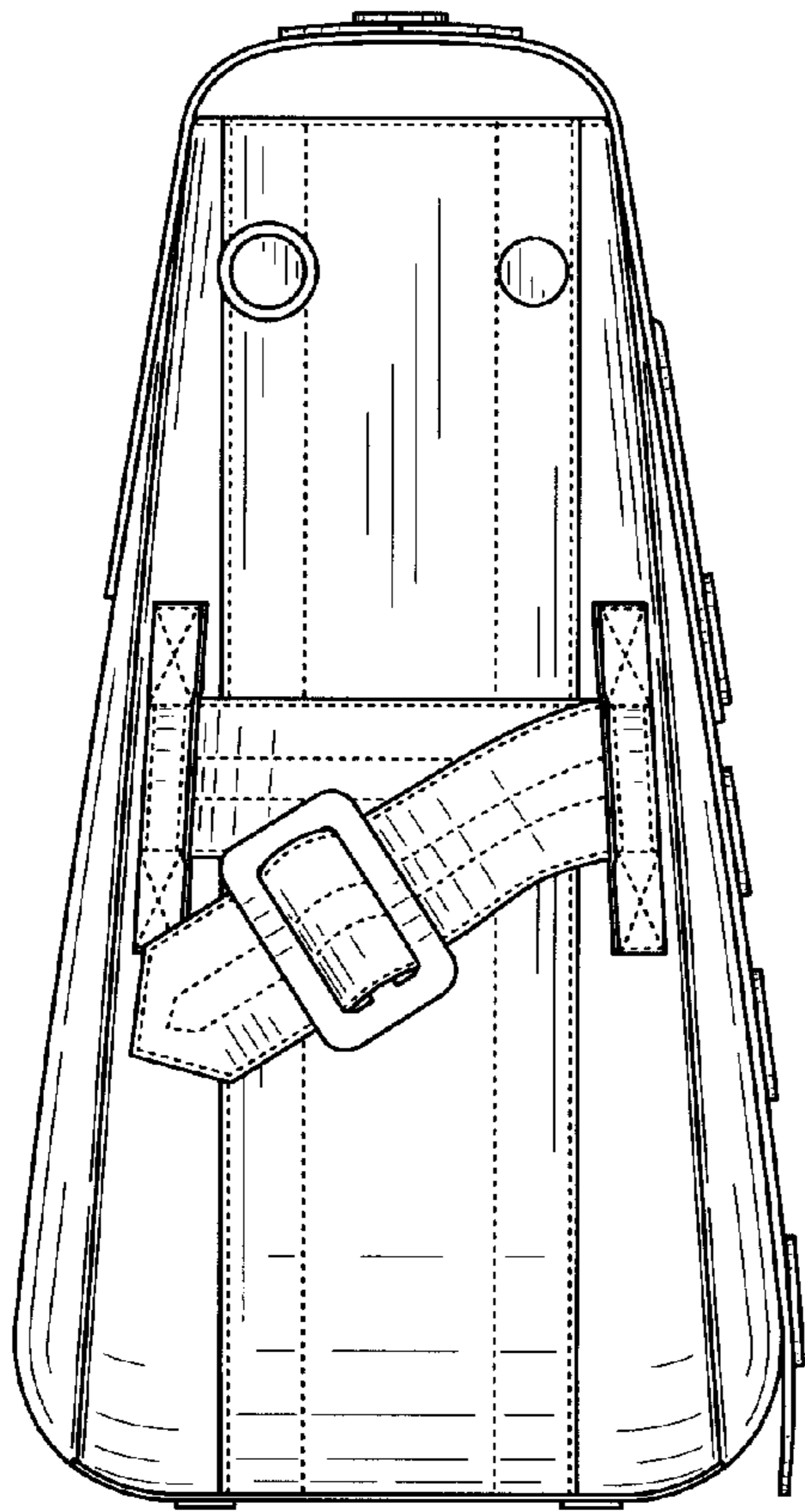


FIG. 4

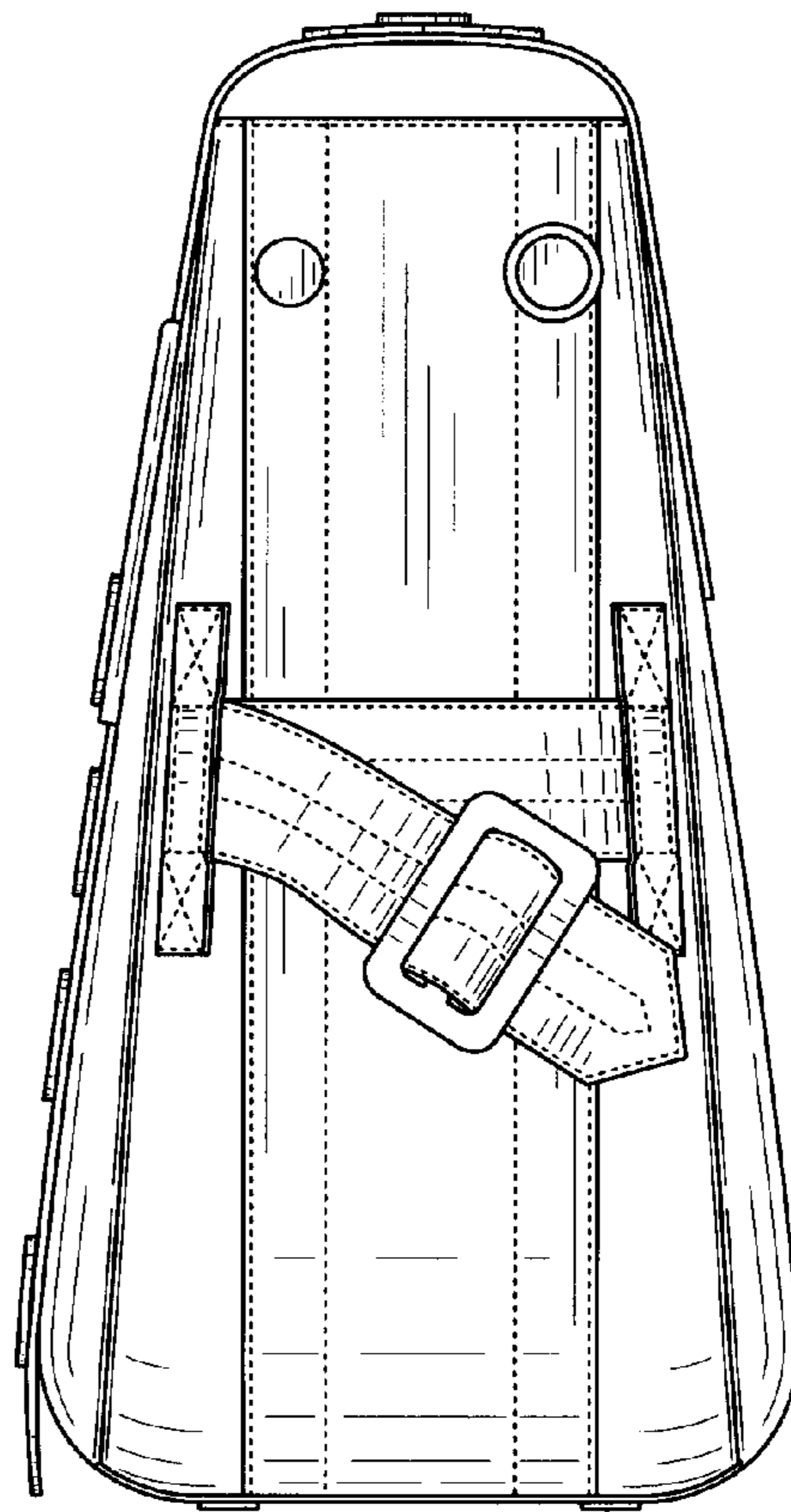


FIG. 5

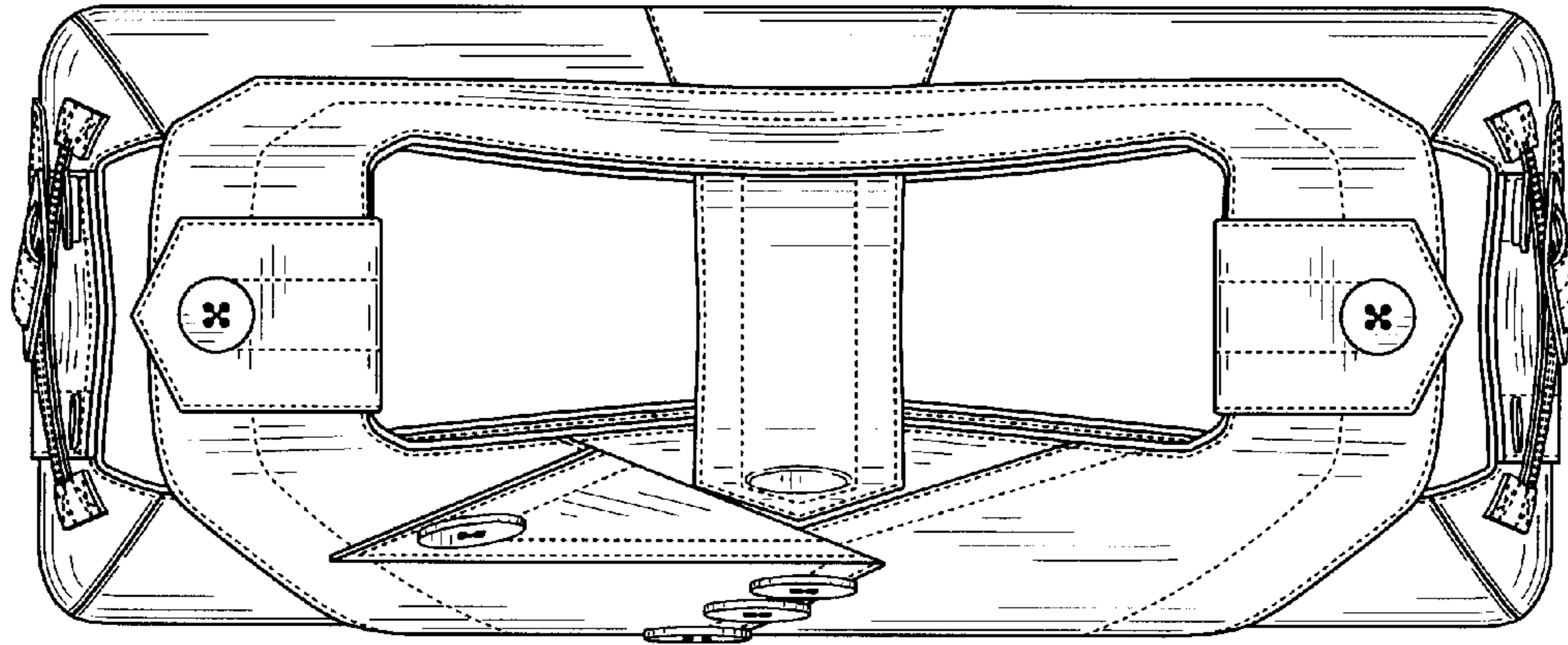


FIG. 6

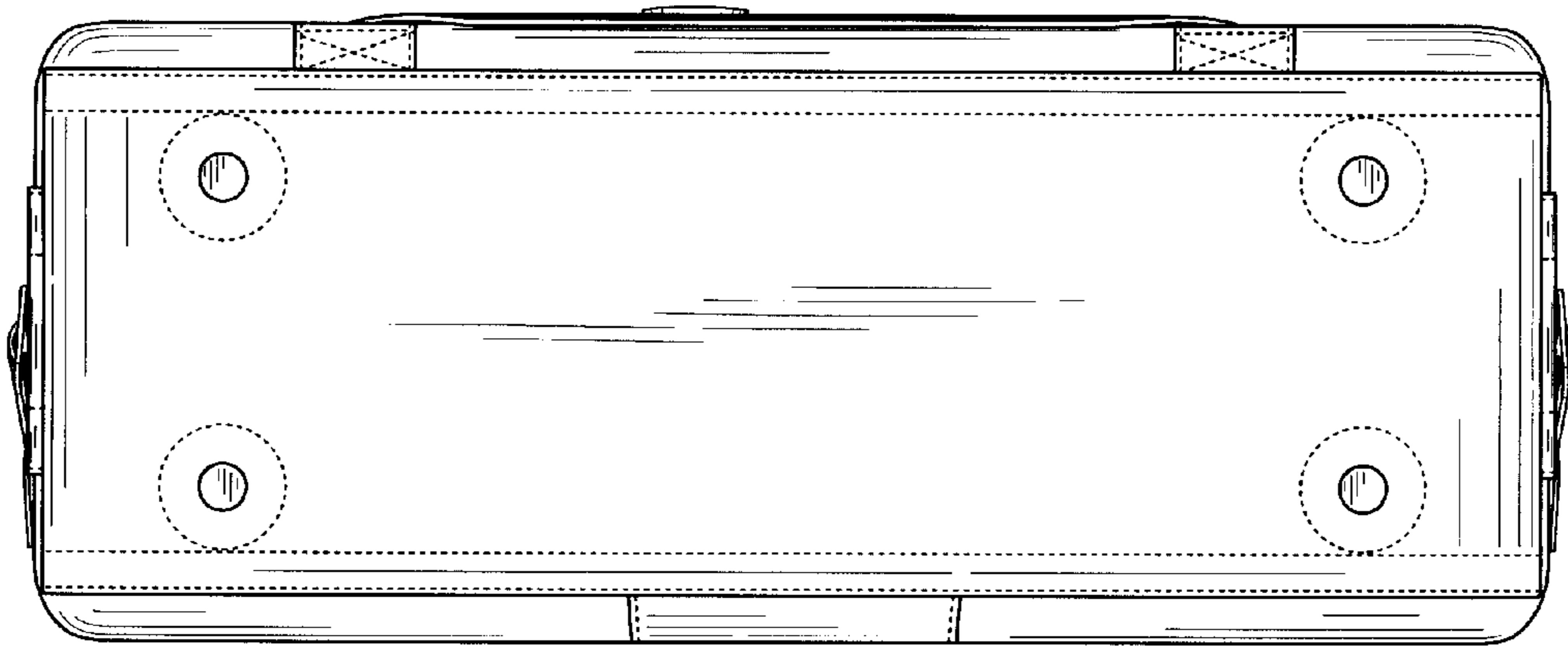


FIG. 7