



US00D723264S

(12) **United States Design Patent**  
**Akana et al.**

(10) **Patent No.:** **US D723,264 S**  
(45) **Date of Patent:** **\*\* \*Mar. 3, 2015**

(54) **LANYARD**

(71) Applicant: **Apple Inc.**, Cupertino, CA (US)

(72) Inventors: **Jody Akana**, San Francisco, CA (US);  
**Bartley K. Andre**, Palo Alto, CA (US);  
**Shota Aoyagi**, San Francisco, CA (US);  
**Jeremy Bataillou**, San Francisco, CA  
(US); **Daniel J. Coster**, San Francisco,  
CA (US); **Daniele De Iuliis**, San  
Francisco, CA (US); **M. Evans Hankey**,  
San Francisco, CA (US); **Julian Hoenig**,  
San Francisco, CA (US); **Richard P.**  
**Howarth**, San Francisco, CA (US);  
**Jonathan P. Ive**, San Francisco, CA  
(US); **Duncan Robert Kerr**, San  
Francisco, CA (US); **Matthew Dean**  
**Rohrbach**, San Francisco, CA (US);  
**Peter Russell-Clarke**, San Francisco,  
CA (US); **Mikael Silvanto**, San  
Francisco, CA (US); **Christopher J.**  
**Stringer**, Woodside, CA (US); **Eugene**  
**Antony Whang**, San Francisco, CA  
(US); **Rico Zörkendörfer**, San  
Francisco, CA (US)

(73) Assignee: **Apple Inc.**, Cupertino, CA (US)

(\*) Notice: This patent is subject to a terminal disclaimer.

(\*\*) Term: **14 Years**

(21) Appl. No.: **29/453,543**

(22) Filed: **Apr. 30, 2013**

(51) **LOC (10) Cl.** ..... **03-01**

(52) **U.S. Cl.**  
USPC ..... **D3/218; D11/3**

(58) **Field of Classification Search**  
USPC ..... D11/1-25, 79-90, 215, 200; D3/215,  
D3/327, 218, 318; 24/3, 3.3, 3.4, 3.6, 298;  
D16/339; 351/156-158; 224/600, 615,  
224/607, 250; D2/627

See application file for complete search history.

(56) **References Cited**

U.S. PATENT DOCUMENTS

1,509,781 A 9/1924 Roth  
2,964,348 A 12/1960 Ingham

(Continued)

FOREIGN PATENT DOCUMENTS

EM 000209945-007 5/2004  
JP D1099090 1/2001

(Continued)

OTHER PUBLICATIONS

[Online] <http://store.apple.com/us/product/MD974LL/A/ipod-touch-loop-blue?fnode=70>.\*

*Primary Examiner* — Garth Rademaker

*Assistant Examiner* — Melanie Pellegrini

(74) *Attorney, Agent, or Firm* — Sterne, Kessler, Goldstein & Fox P.L.L.C.

(57) **CLAIM**

The ornamental design for a lanyard, as shown and described.

**DESCRIPTION**

FIG. 1 is a top front perspective view of a lanyard showing our new design;

FIG. 2 is a bottom rear perspective view thereof;

FIG. 3 is a top view thereof, the bottom view being a mirror image thereof;

FIG. 4 is a side view thereof;

FIG. 5 is an opposite side view thereof;

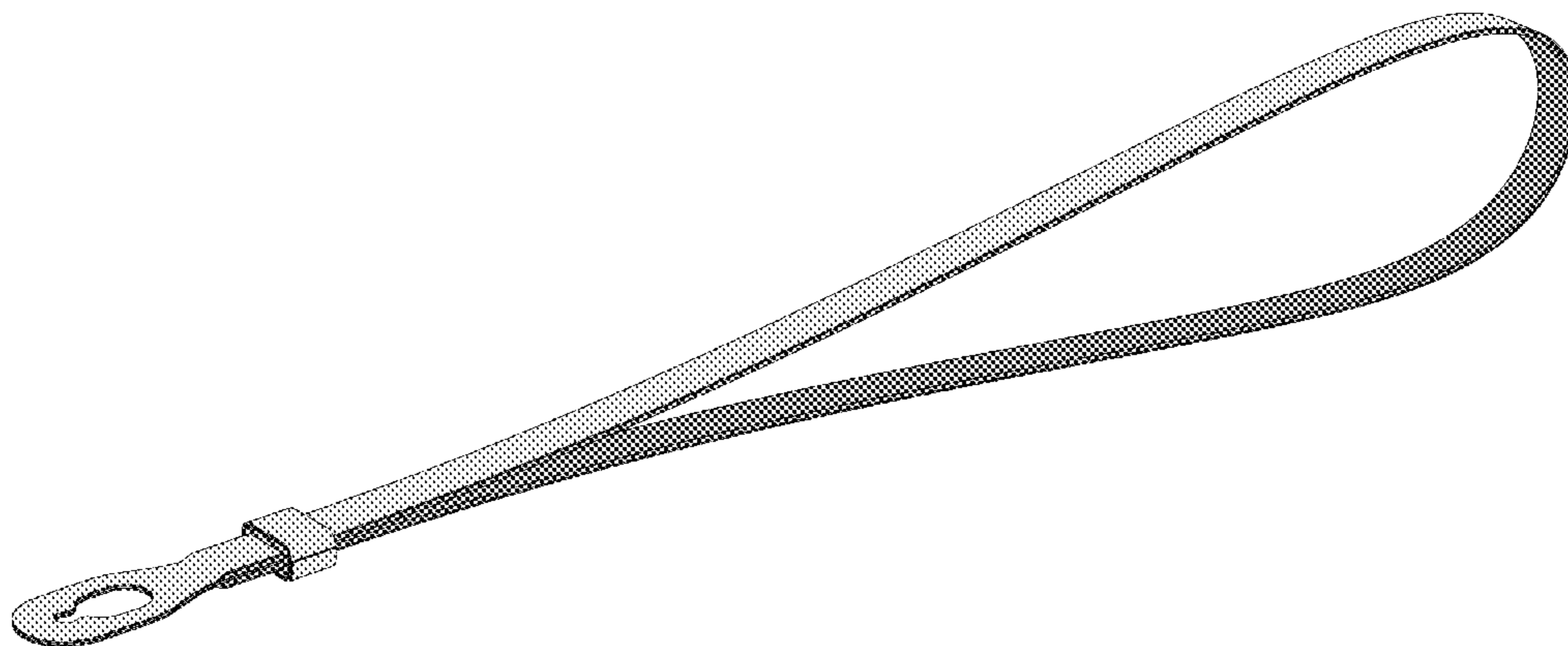
FIG. 6 is a front view thereof;

FIG. 7 is a rear view thereof; and,

FIG. 8 is an enlarged view of a portion of FIG. 1 shown separately for convenience of illustration.

The Figures are illustrated to show contrast. The inner darker shaded portions of the lanyard are one appearance, and the outer lighter shaded portions of the lanyard are a different appearance.

**1 Claim, 6 Drawing Sheets**



(56)

References Cited

U.S. PATENT DOCUMENTS

3,771,275 A 11/1973 Seckerson  
 3,927,808 A \* 12/1975 Steen ..... 224/267  
 4,614,322 A 9/1986 Goetz  
 4,918,758 A \* 4/1990 Rendina ..... 2/171  
 5,027,477 A 7/1991 Seron  
 5,046,222 A 9/1991 Byers et al.  
 D338,037 S 8/1993 Miller et al.  
 5,460,347 A \* 10/1995 Schacher ..... 248/316.5  
 5,823,364 A 10/1998 Mucciacciaro  
 D418,774 S 1/2000 Kalbach  
 6,171,039 B1 1/2001 Seurujarvi  
 D438,373 S \* 3/2001 Riley ..... D3/207  
 6,321,965 B1 11/2001 Lavi et al.  
 D462,523 S \* 9/2002 Kalbach ..... D3/327  
 7,013,675 B2 3/2006 Marquez-Pickering  
 D520,738 S \* 5/2006 Tarantino ..... D3/218  
 D521,726 S 5/2006 Tarantino  
 7,124,470 B2 10/2006 Alanis  
 7,188,814 B2 3/2007 Davis  
 D541,190 S 4/2007 Plzak  
 D541,523 S 5/2007 Zoullas et  
 D557,008 S 12/2007 Stiller  
 D562,807 S 2/2008 Andre et al.  
 D580,695 S \* 11/2008 Negrin ..... D6/601  
 D582,985 S \* 12/2008 Tanaka ..... D20/10  
 D604,191 S \* 11/2009 Ohara et al. .... D11/3

D638,330 S 5/2011 Fahrendorff et al.  
 D644,139 S 8/2011 Kalbach  
 D655,080 S \* 3/2012 Burrows ..... D3/215  
 D659,394 S \* 5/2012 Hebert et al. .... D3/247  
 D667,749 S 9/2012 Case et al.  
 D669,265 S \* 10/2012 Pent ..... D3/243  
 8,295,533 B1 10/2012 Schachtman  
 D680,895 S 4/2013 Akana et al.  
 D681,504 S \* 5/2013 Kalbach ..... D11/201  
 D684,542 S \* 6/2013 Ledesma ..... D13/153  
 D691,651 S \* 10/2013 Kim ..... D16/242  
 D694,478 S \* 11/2013 Ali ..... D30/153  
 D695,632 S \* 12/2013 Akana et al. .... D9/722  
 D699,002 S \* 2/2014 Connolly ..... D28/73  
 2002/0005418 A1 \* 1/2002 Levesque et al. .... 224/148.7  
 2003/0160074 A1 8/2003 Pineda  
 2006/0113345 A1 6/2006 Zoullas et al.  
 2007/0084020 A1 4/2007 Chiu et al.  
 2010/0206925 A1 \* 8/2010 Fielding, Jr. .... 224/257  
 2012/0273541 A1 11/2012 Zwach

FOREIGN PATENT DOCUMENTS

JP D1241367 6/2005  
 JP D1295521 3/2007  
 JP D1378493 1/2010  
 KR 30-2006-0029654 3/2007

\* cited by examiner

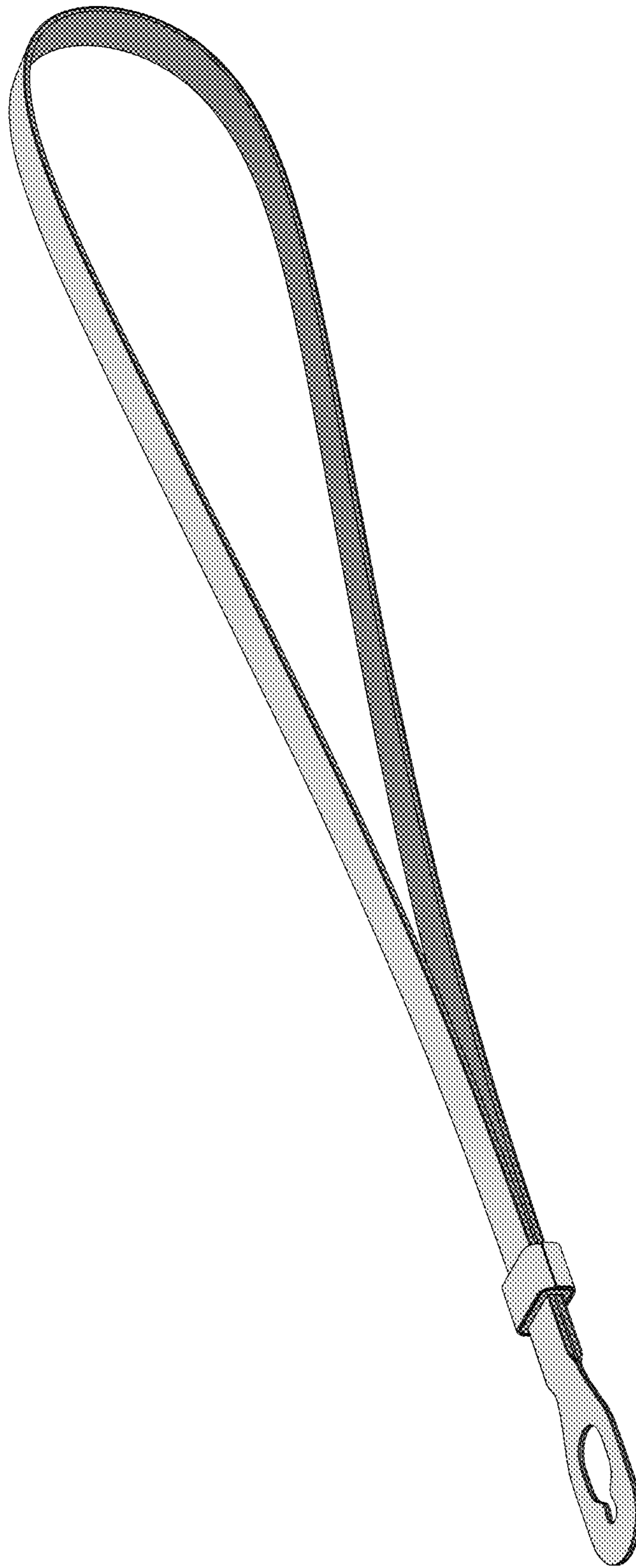


FIG. 1

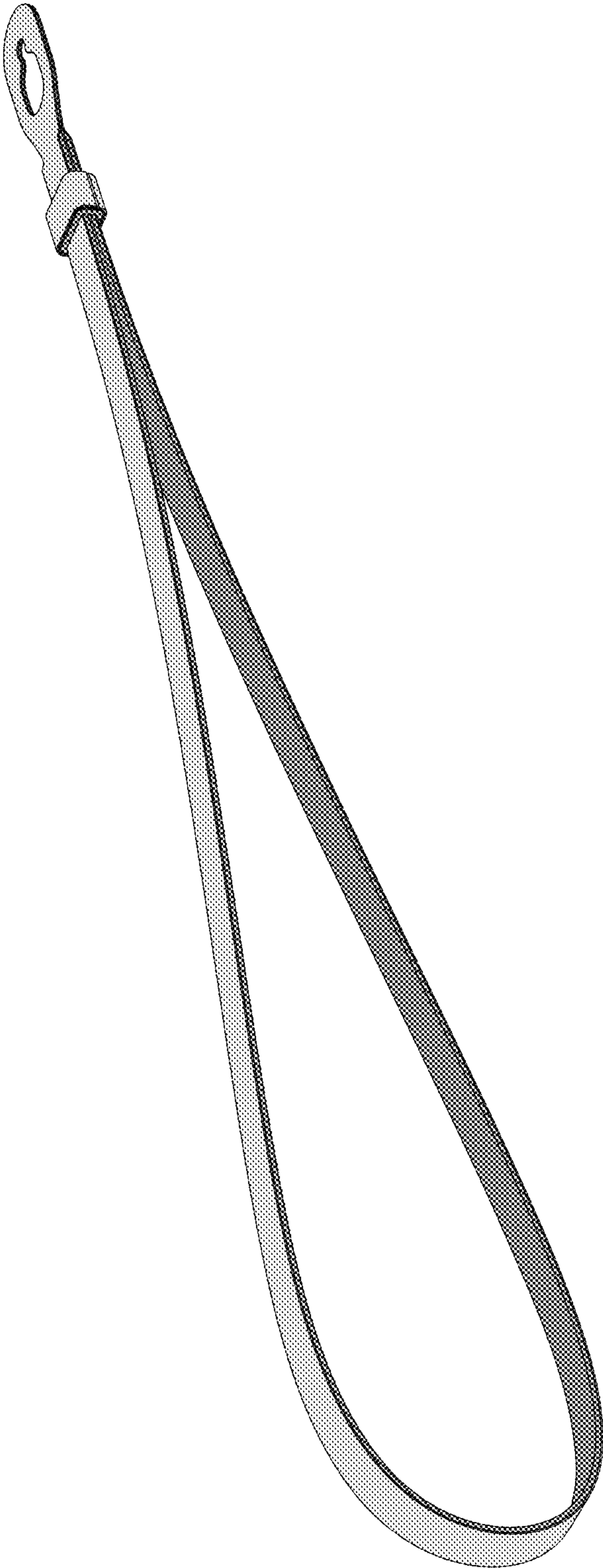
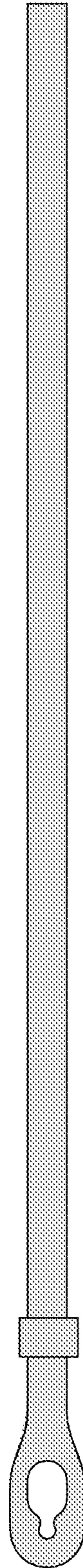
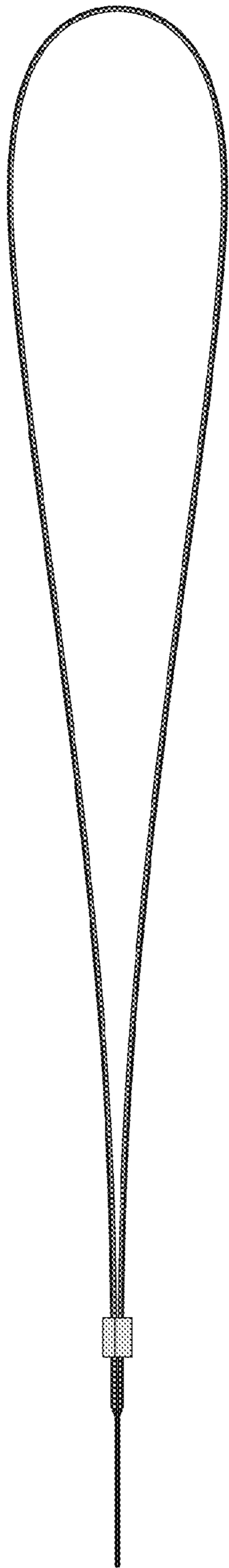


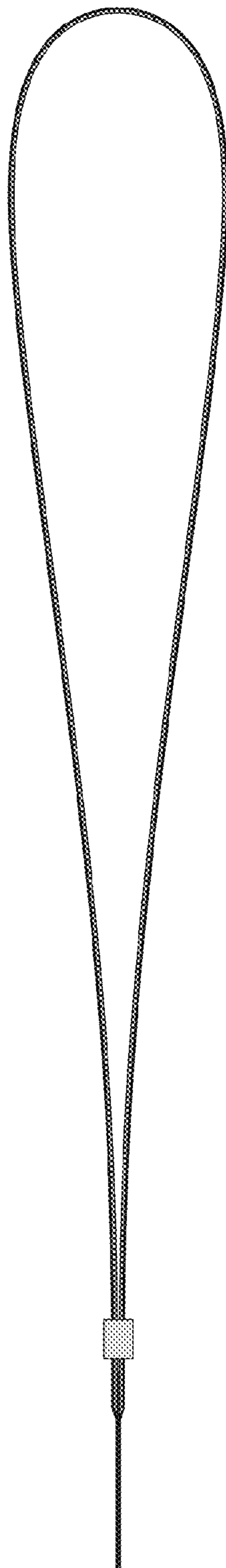
FIG. 2



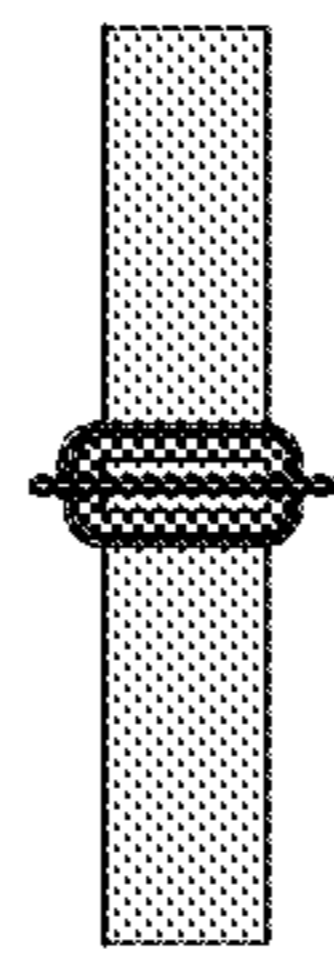
**FIG. 3**



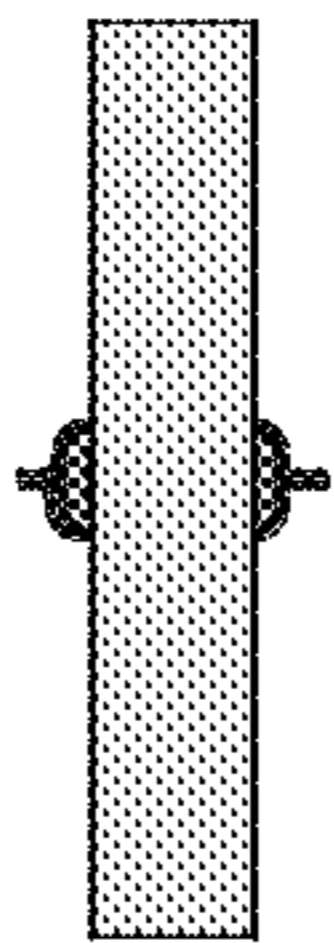
**FIG. 4**



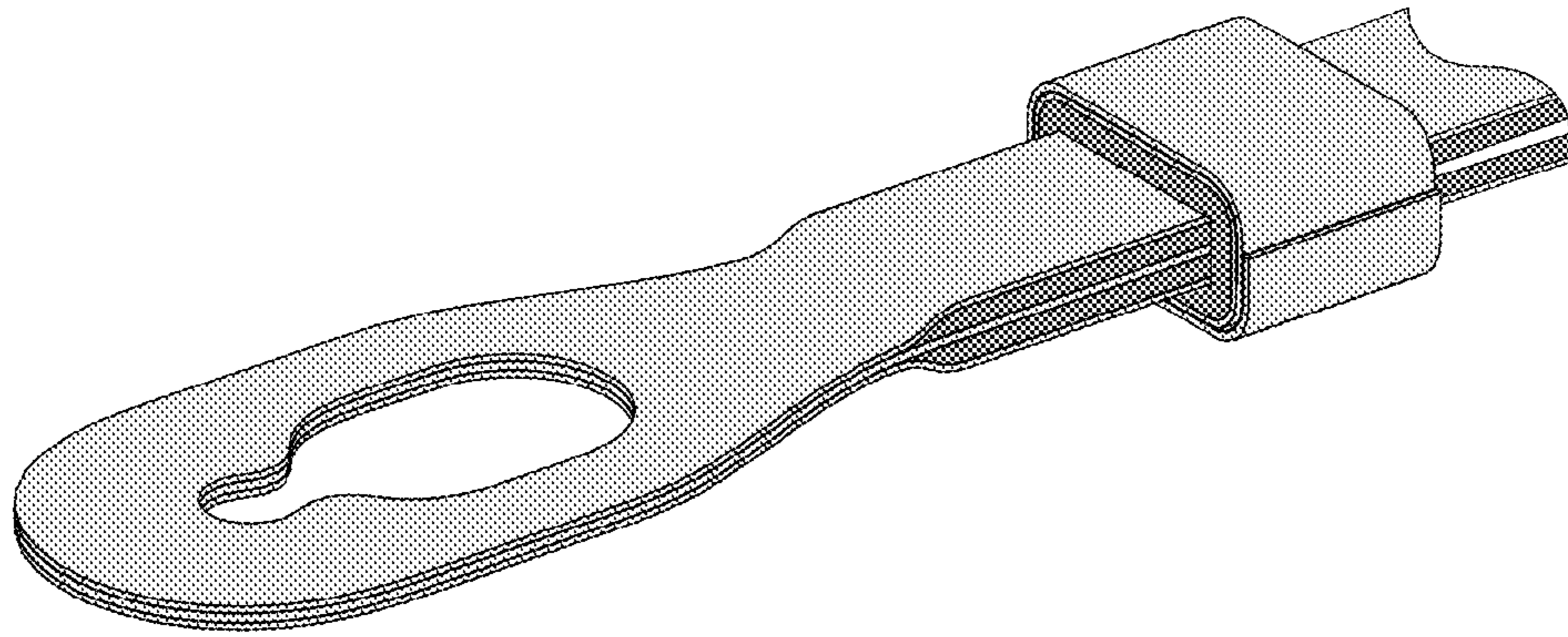
**FIG. 5**



**FIG. 6**



**FIG. 7**



**FIG. 8**



UNITED STATES PATENT AND TRADEMARK OFFICE  
**CERTIFICATE OF CORRECTION**

PATENT NO. : D723,264 S  
APPLICATION NO. : 29/453543  
DATED : March 3, 2015  
INVENTOR(S) : Jody Akana et al.

Page 1 of 1

It is certified that error appears in the above-identified patent and that said Letters Patent is hereby corrected as shown below:

Title Page, item (63)

In column 1, please add the following priority information:

Continuation of application No. 29/431,562, filed on September 8, 2012, now Pat. No. Des. 680,895.

Signed and Sealed this  
Twentieth Day of October, 2015



Michelle K. Lee  
*Director of the United States Patent and Trademark Office*