



US00D723262S

(12) **United States Design Patent**
Macmillan

(10) **Patent No.:** **US D723,262 S**
(45) **Date of Patent:** **** Mar. 3, 2015**

(54) **UMBRELLA BRACKET**

(71) Applicant: **Christopher D. Macmillan**, Wind Gap,
PA (US)

(72) Inventor: **Christopher D. Macmillan**, Wind Gap,
PA (US)

(**) Term: **14 Years**

(21) Appl. No.: **29/465,433**

(22) Filed: **Aug. 28, 2013**

(51) **LOC (10) Cl.** **03-03**

(52) **U.S. Cl.**
USPC **D3/10**

(58) **Field of Classification Search**
USPC D3/5, 10; 135/15.1, 33.2, 20.1, 21, 27;
D8/356, 396

See application file for complete search history.

(56) **References Cited**

U.S. PATENT DOCUMENTS

D35,029	S	*	9/1901	Ricker	D13/131
1,291,872	A	*	1/1919	Heinze, Jr.	248/65
D198,777	S	*	8/1964	Shelare et al.	D6/528
D204,884	S	*	5/1966	Waddington	D8/356
4,059,872	A	*	11/1977	Delesandri	24/284
D272,987	S	*	3/1984	Allen	D8/354
D288,772	S	*	3/1987	Forrest	D8/356
4,854,548	A	*	8/1989	Wylie	256/65.03
5,145,132	A	*	9/1992	Kirschner	248/59

D419,243	S	*	1/2000	Goch	D25/68
D422,885	S	*	4/2000	Marino et al.	D8/354
D479,117	S	*	9/2003	Mercier	D8/354
D587,096	S	*	2/2009	Smith	D8/354
D628,050	S	*	11/2010	Petersen et al.	D8/356
D675,856	S	*	2/2013	Yiannaki	D6/606
D691,032	S	*	10/2013	Chen	D8/396
D712,730	S	*	9/2014	Gridley	D8/396
D712,732	S	*	9/2014	Andrews	D8/396
2009/0324188	A1	*	12/2009	Berglund et al.	385/135

* cited by examiner

Primary Examiner — John Windmuller

(74) *Attorney, Agent, or Firm* — Clinton H. Wilkinson;
Charles A. Wilkinson

(57) **CLAIM**

The ornamental design for an umbrella bracket, as shown and described.

DESCRIPTION

FIG. 1 is a perspective view of the umbrella bracket of the claimed invention;

FIG. 2 is a side view thereof;

FIG. 3 is a front view thereof;

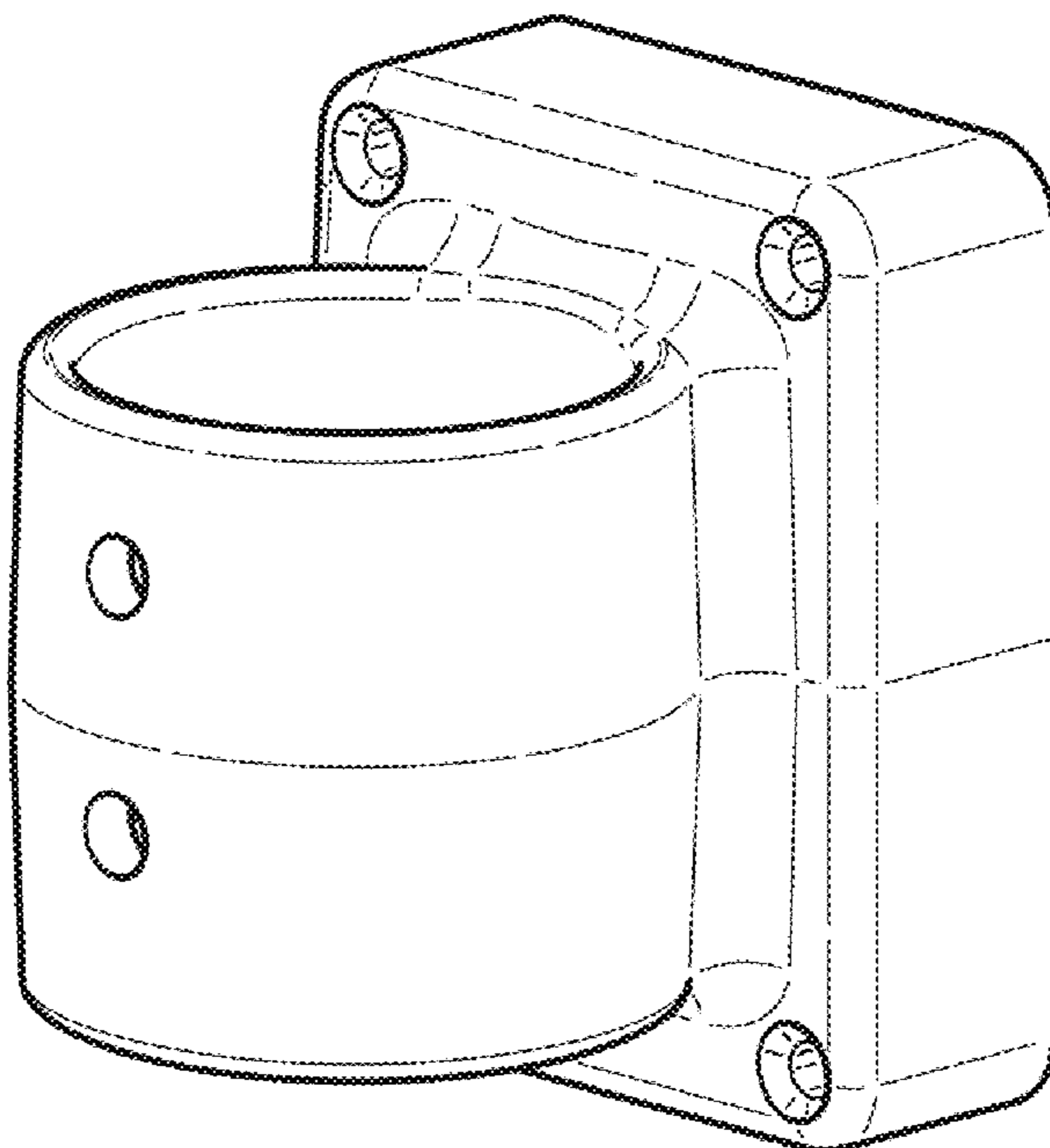
FIG. 4 is a sectional side view thereof taken along line 4-4 in FIG. 3;

FIG. 5 is an end view thereof; and,

FIG. 6 is a rear view thereof.

The broken lines in FIG. 6 depict portions of the umbrella bracket that form no part of the claimed design.

1 Claim, 1 Drawing Sheet



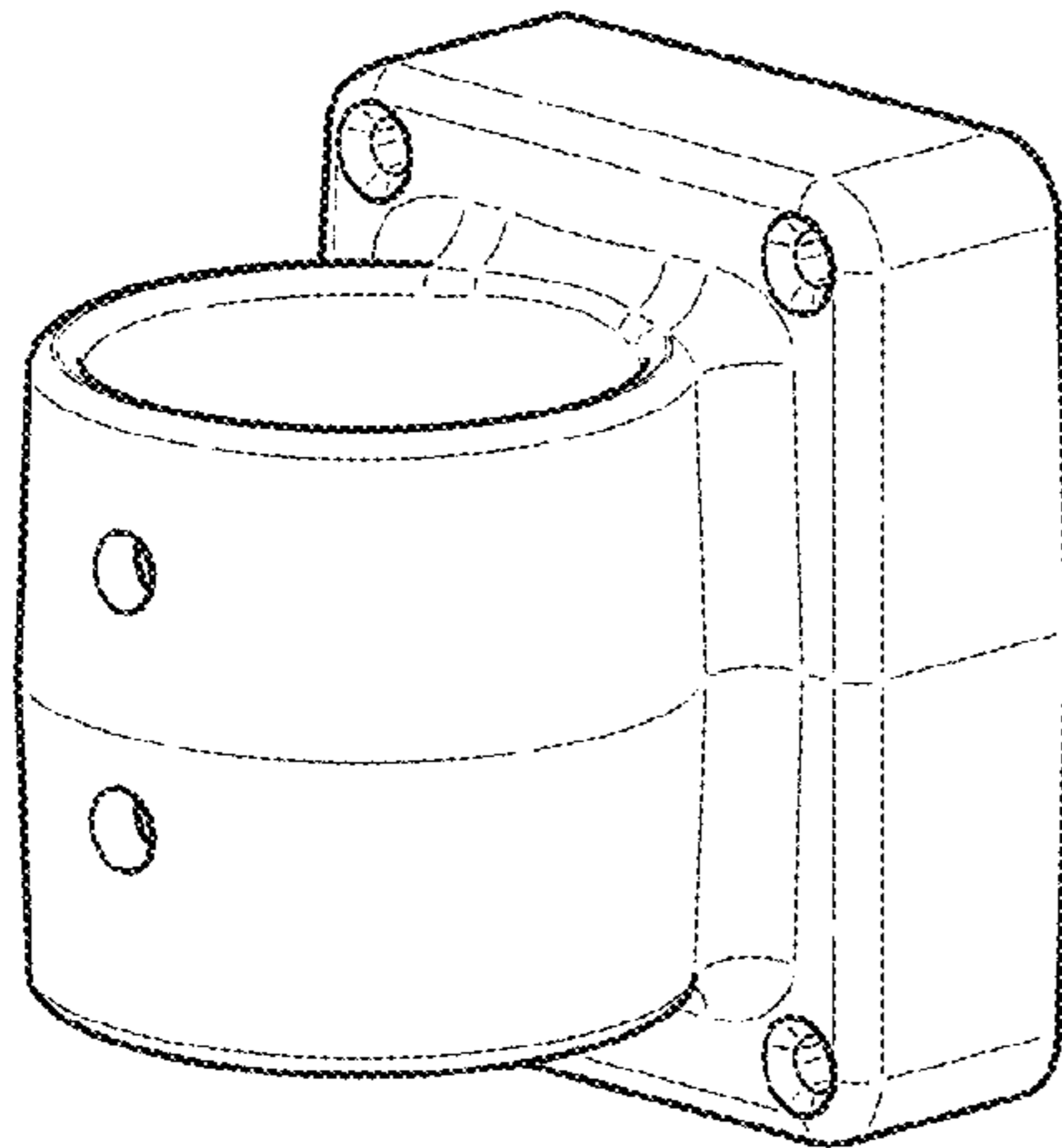


FIG. 1

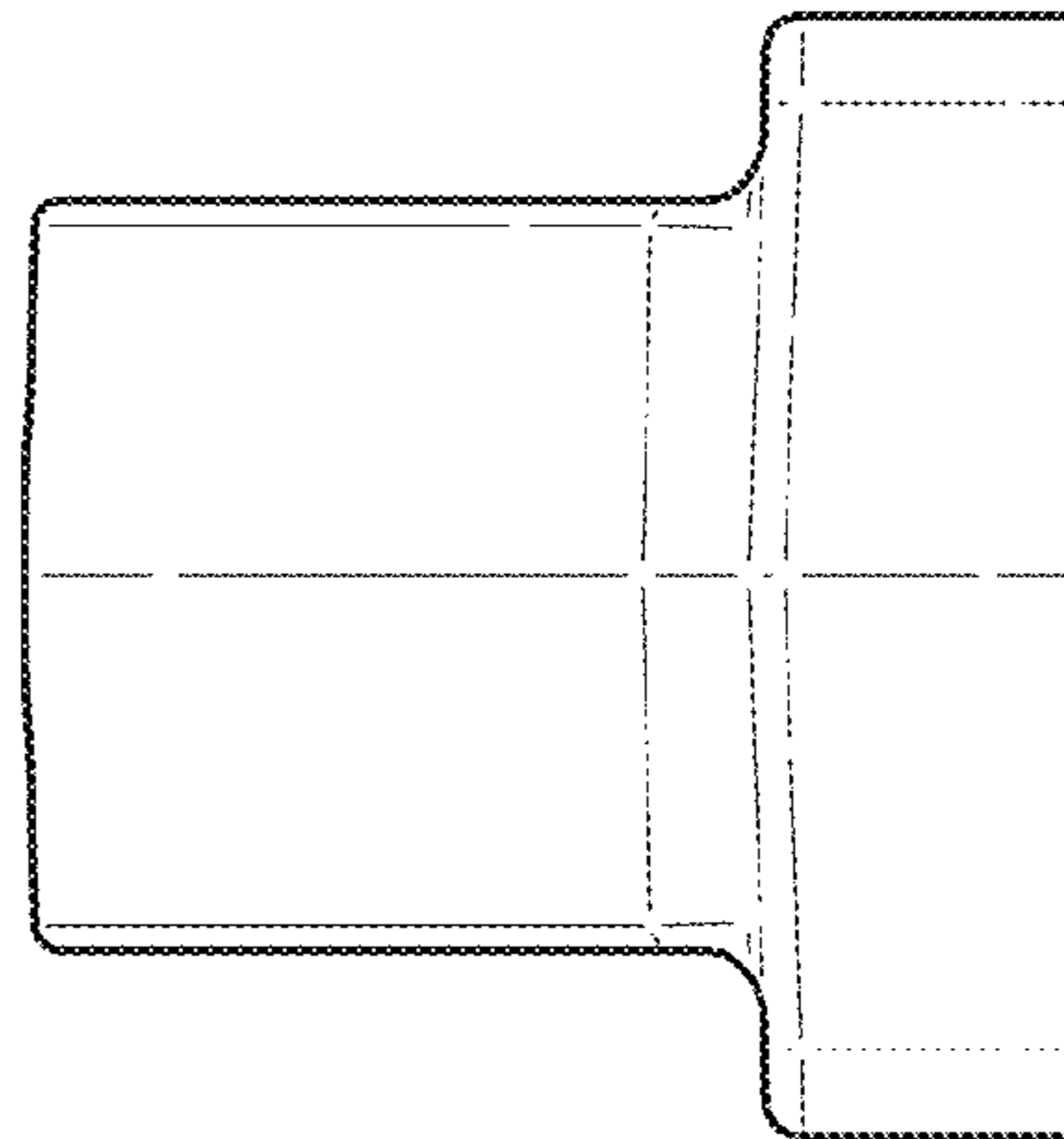
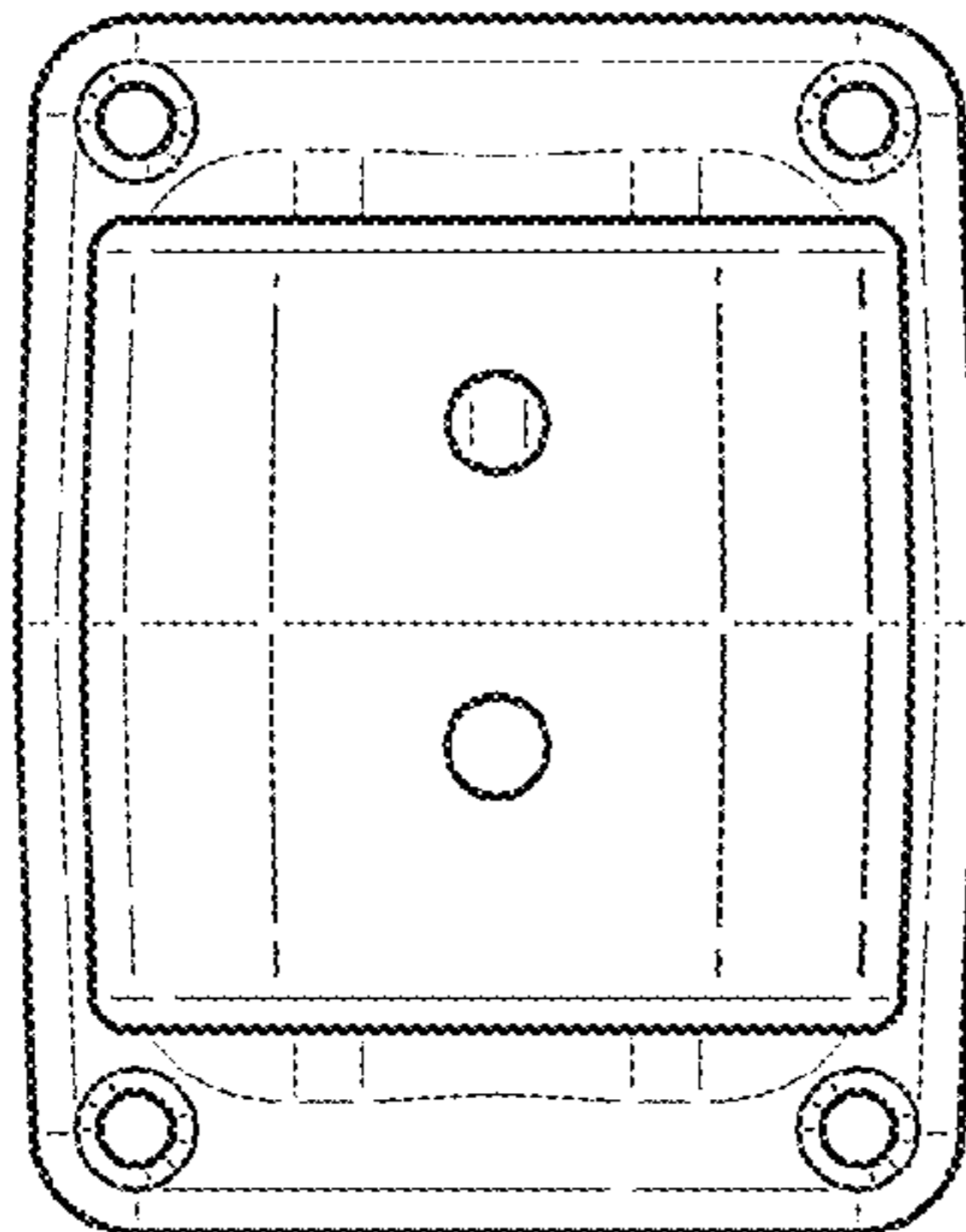


FIG. 2

4 ←



4 ←
FIG. 3

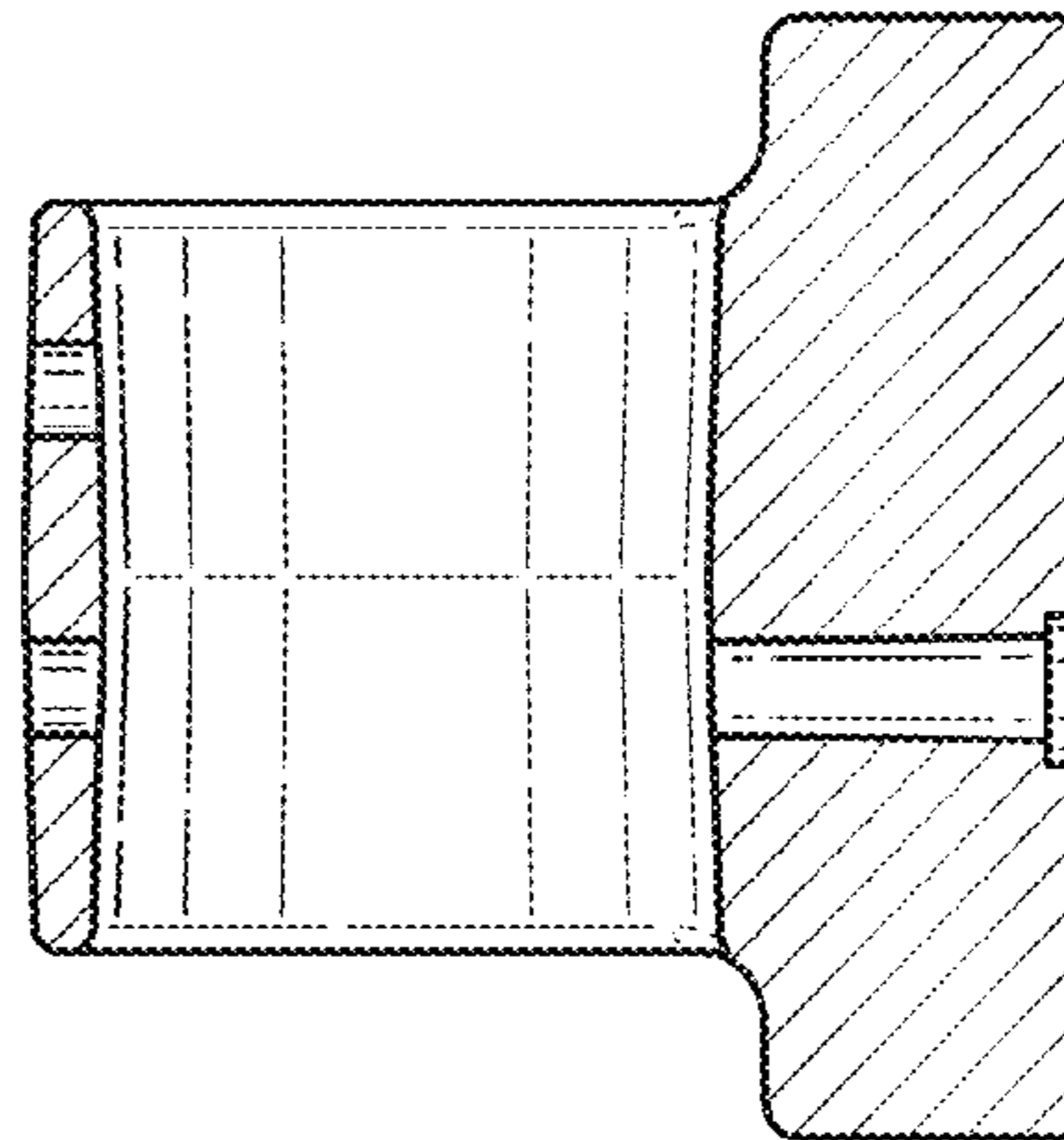


FIG. 4

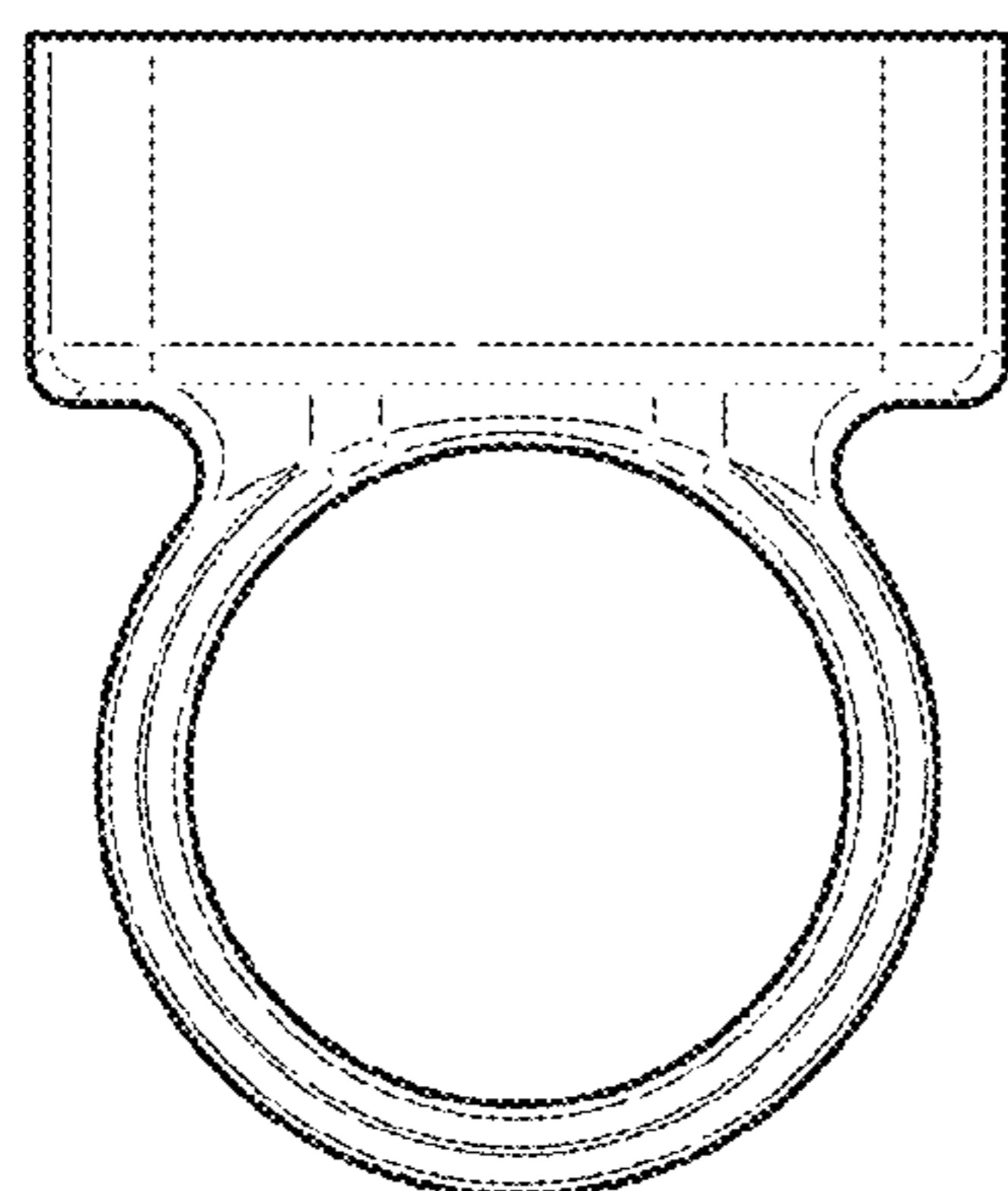


FIG. 5

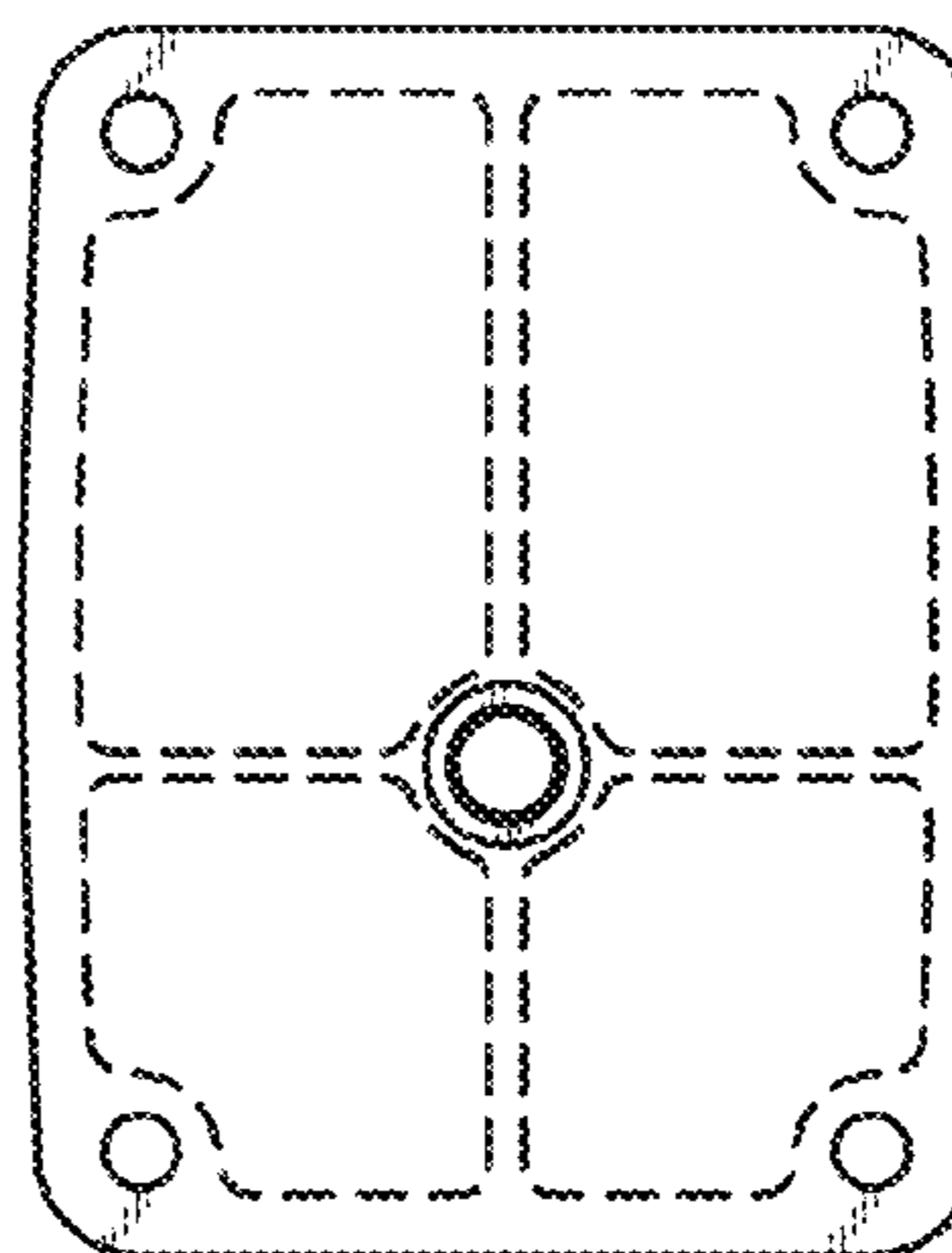


FIG. 6