



US00D723259S

(12) **United States Design Patent**  
**Norwood**

(10) **Patent No.:** **US D723,259 S**  
(45) **Date of Patent:** **\*\* Mar. 3, 2015**

- (54) **FOOTWEAR UPPER**
- (71) Applicant: **Ariat International, Inc.**, Union City, CA (US)
- (72) Inventor: **John Hollin Kelse Norwood**, Union City, CA (US)
- (73) Assignee: **Ariat International, Inc.**, Union City, CA (US)
- (\*\*) Term: **14 Years**
- (21) Appl. No.: **29/490,689**
- (22) Filed: **May 12, 2014**
- (51) **LOC (10) Cl.** ..... **02-04**
- (52) **U.S. Cl.**  
USPC ..... **D2/970; D2/910**
- (58) **Field of Classification Search**  
CPC ..... A43B 1/0045; A43B 13/10; A43B 13/12;  
A43B 23/06; A43B 23/07; A43B 1/0036;  
A43B 7/32  
USPC ..... D2/896, 900, 909-911, 920, 943, 946,  
D2/969, 970; 36/83, 1.5, 2 R, 109, 3 A,  
36/7.1 R, 45, 56, 113, 131  
See application file for complete search history.

- D303,037 S \* 8/1989 Kushitani ..... D2/911
- D369,894 S \* 5/1996 Stolberg ..... D2/910
- D380,592 S \* 7/1997 Whittington ..... D2/910
- D638,213 S \* 5/2011 Funck ..... D2/970
- 7,980,010 B2 7/2011 Davis et al.
- 2010/0126044 A1 5/2010 Davis
- 2011/0271553 A1 11/2011 McCarron

\* cited by examiner

*Primary Examiner* — Ian Simmons

*Assistant Examiner* — Rashida C McCoy

(74) *Attorney, Agent, or Firm* — DASCENZO Intellectual Property Law, P.C.

(57) **CLAIM**

The ornamental design for a footwear upper, as shown and described.

**DESCRIPTION**

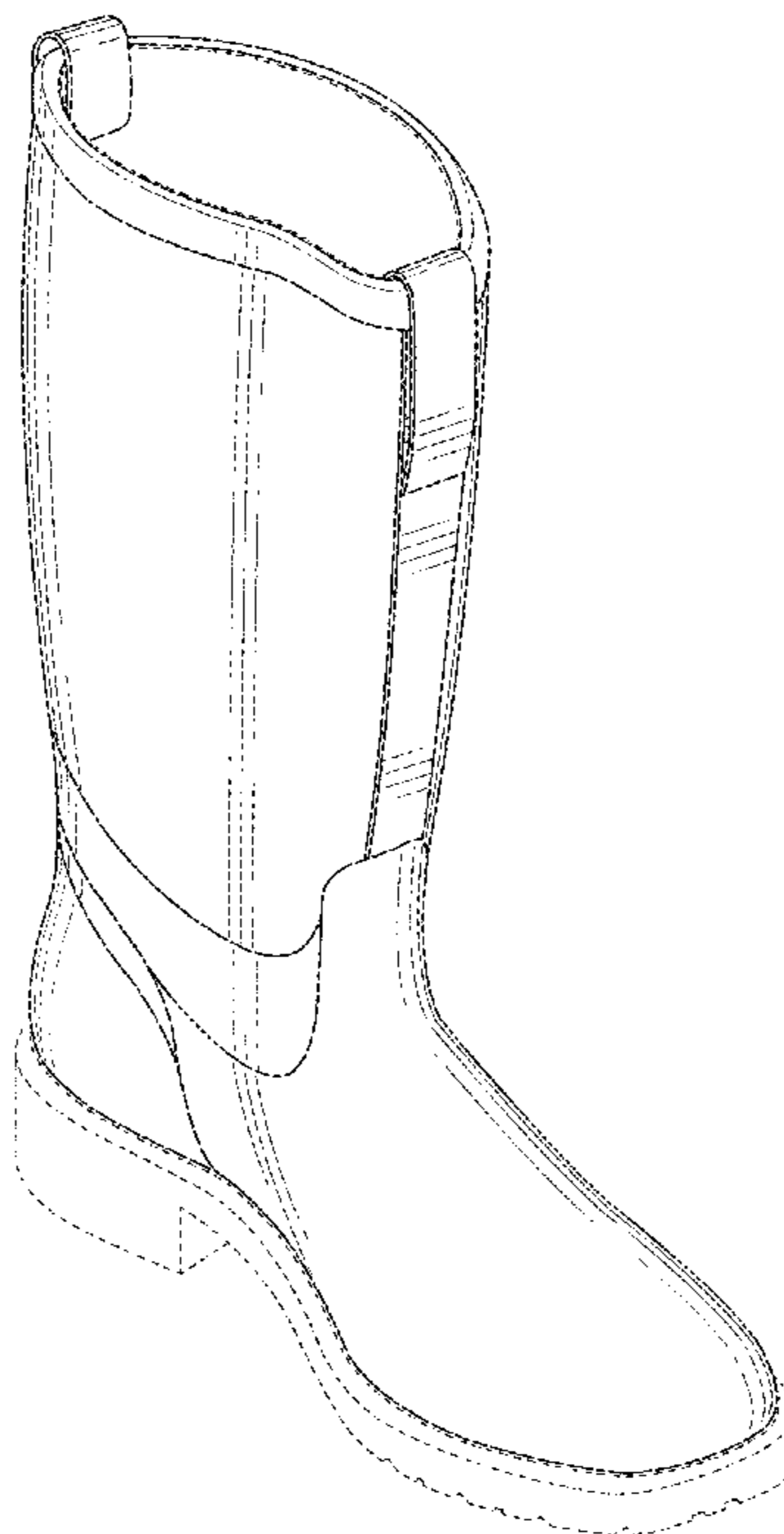
FIG. 1 is a top perspective view of a footwear upper showing my new design;  
FIG. 2 is a medial elevational view thereof;  
FIG. 3 is a lateral elevational view thereof;  
FIG. 4 is a front elevational view thereof;  
FIG. 5 is a rear elevational top plan view thereof;  
FIG. 6 is a bottom plan view thereof; and,  
FIG. 7 is a top plan view thereof.

The broken lines showing on the drawing disclosure is for illustrative purposes only and forms no part of the claimed design. The shading lines shown in the drawings represent the three-dimensional contour of the design, and are not intended to indicate surface decoration.

**1 Claim, 7 Drawing Sheets**

(56) **References Cited**  
U.S. PATENT DOCUMENTS

- D10,959 S \* 12/1878 Kenz et al. .... D2/910
- D236,665 S \* 9/1975 Massacre ..... D2/911
- D238,910 S \* 2/1976 Person ..... D2/910



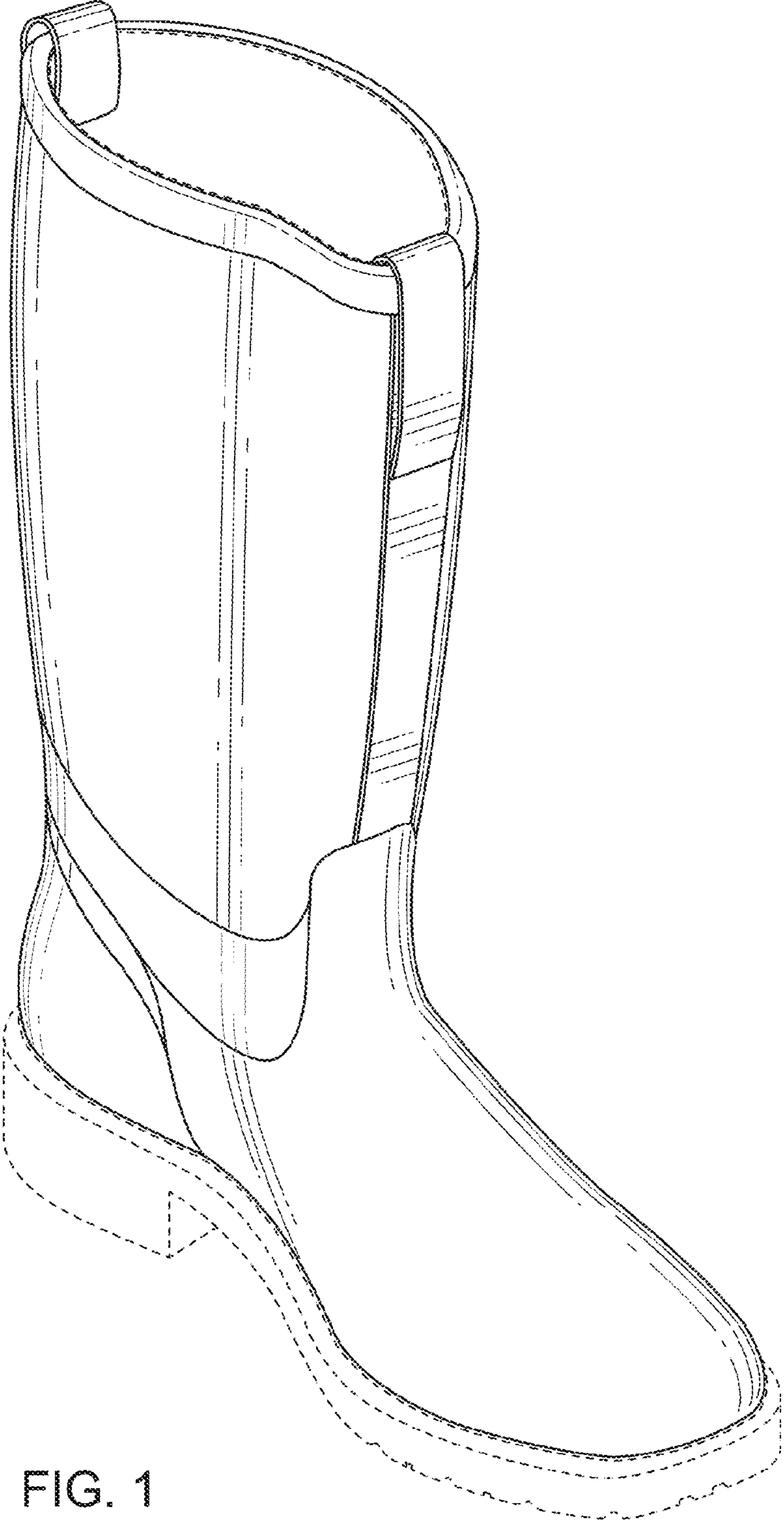


FIG. 1

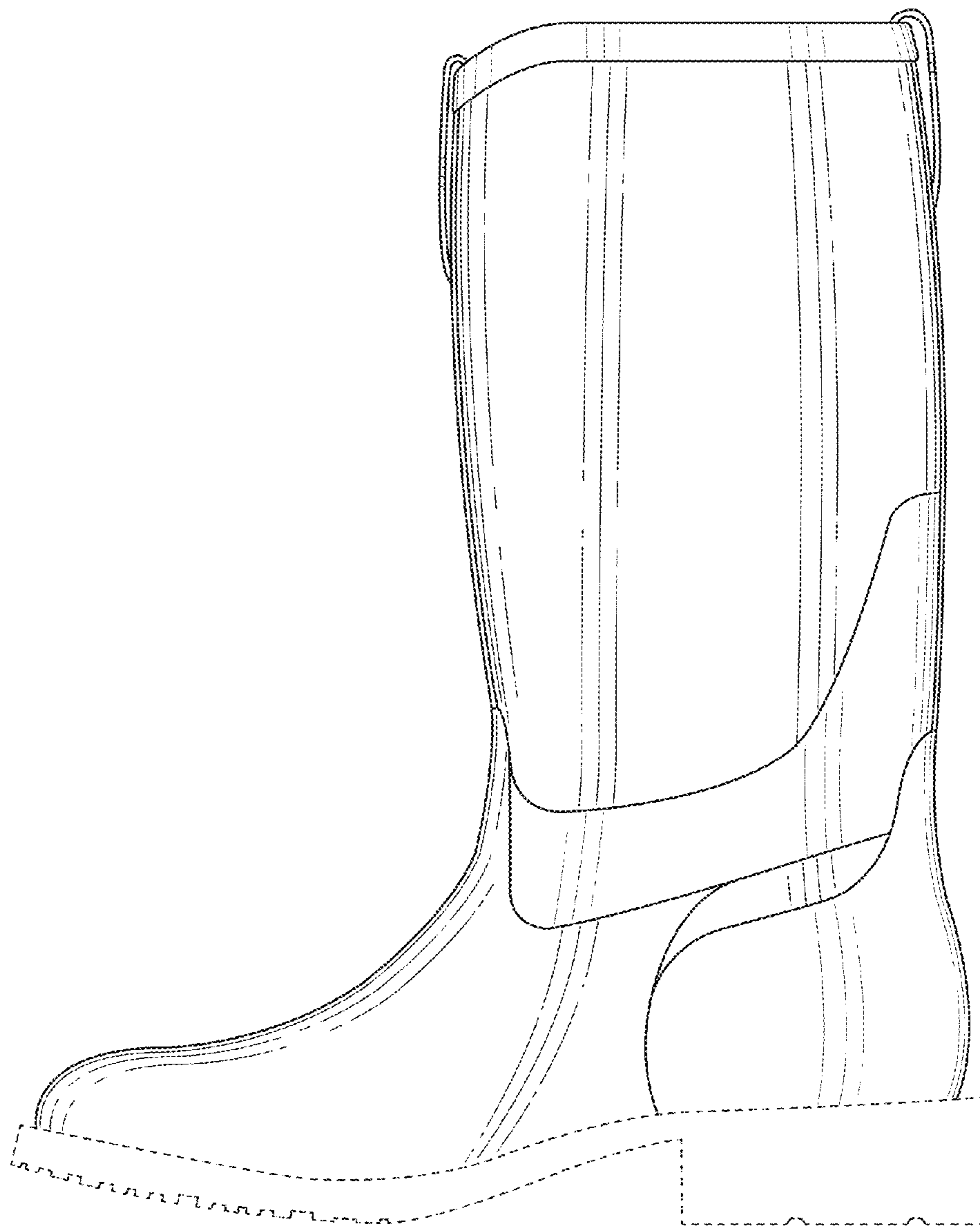


FIG. 2

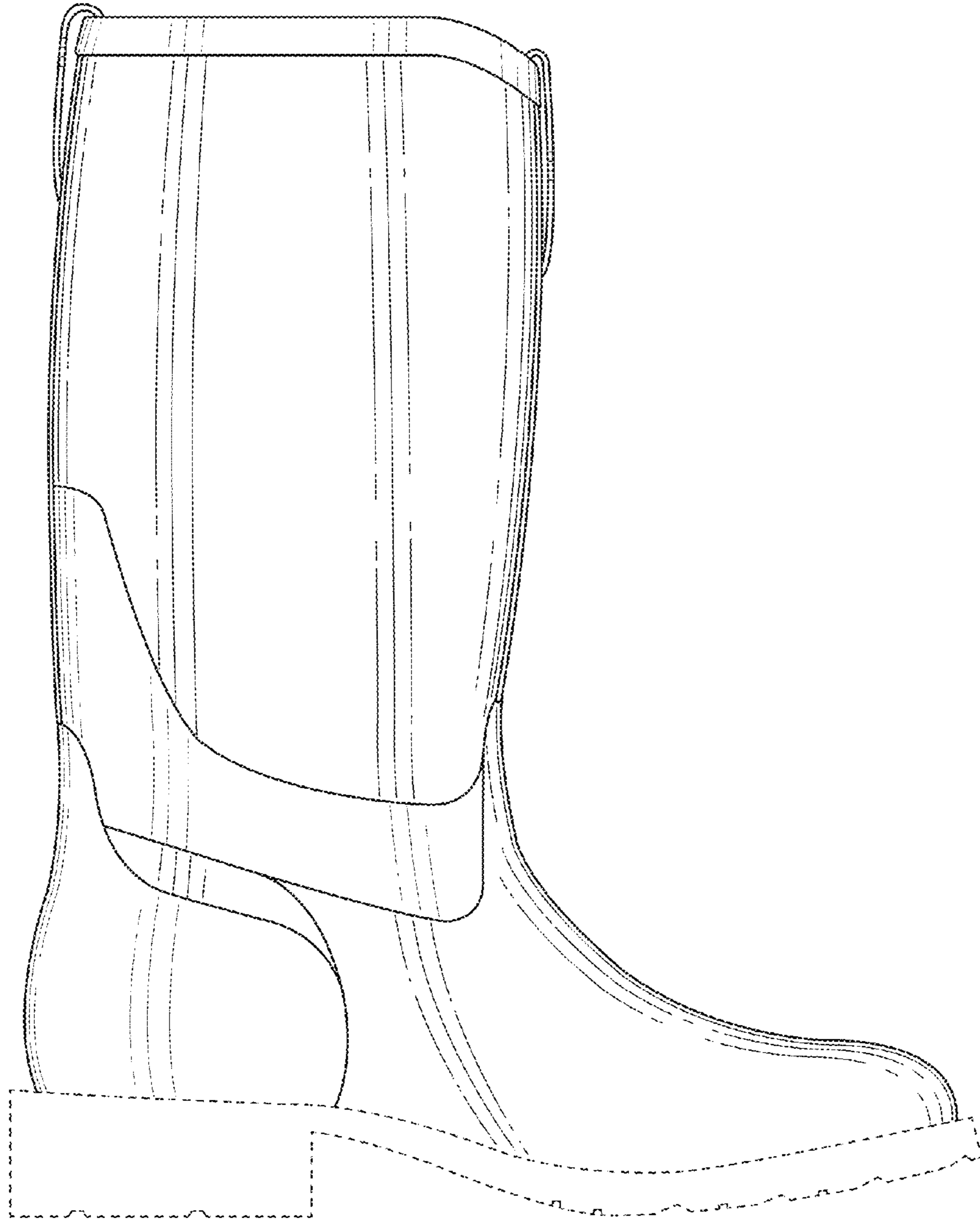


FIG. 3

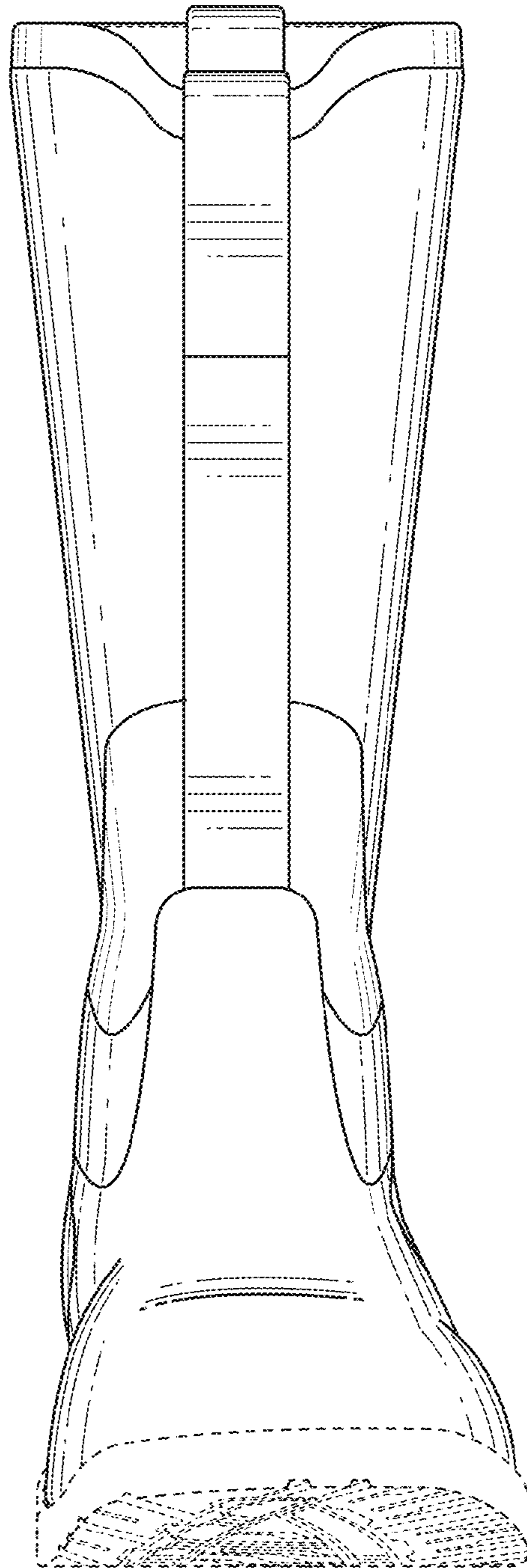


FIG. 4



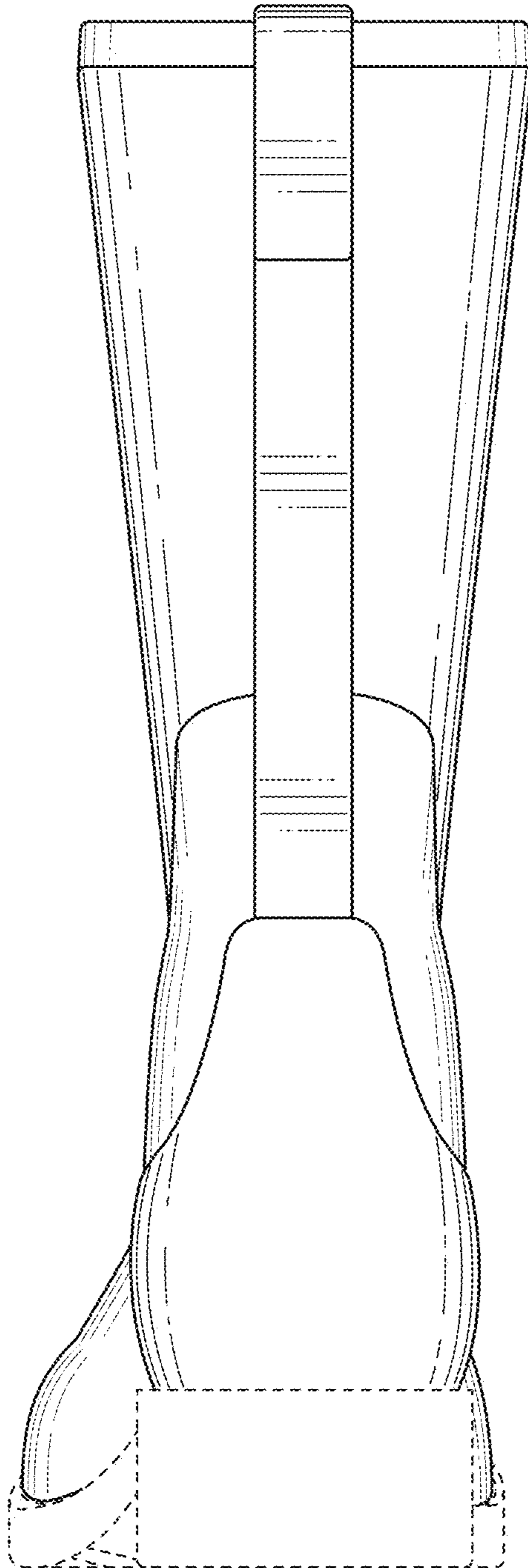


FIG. 5

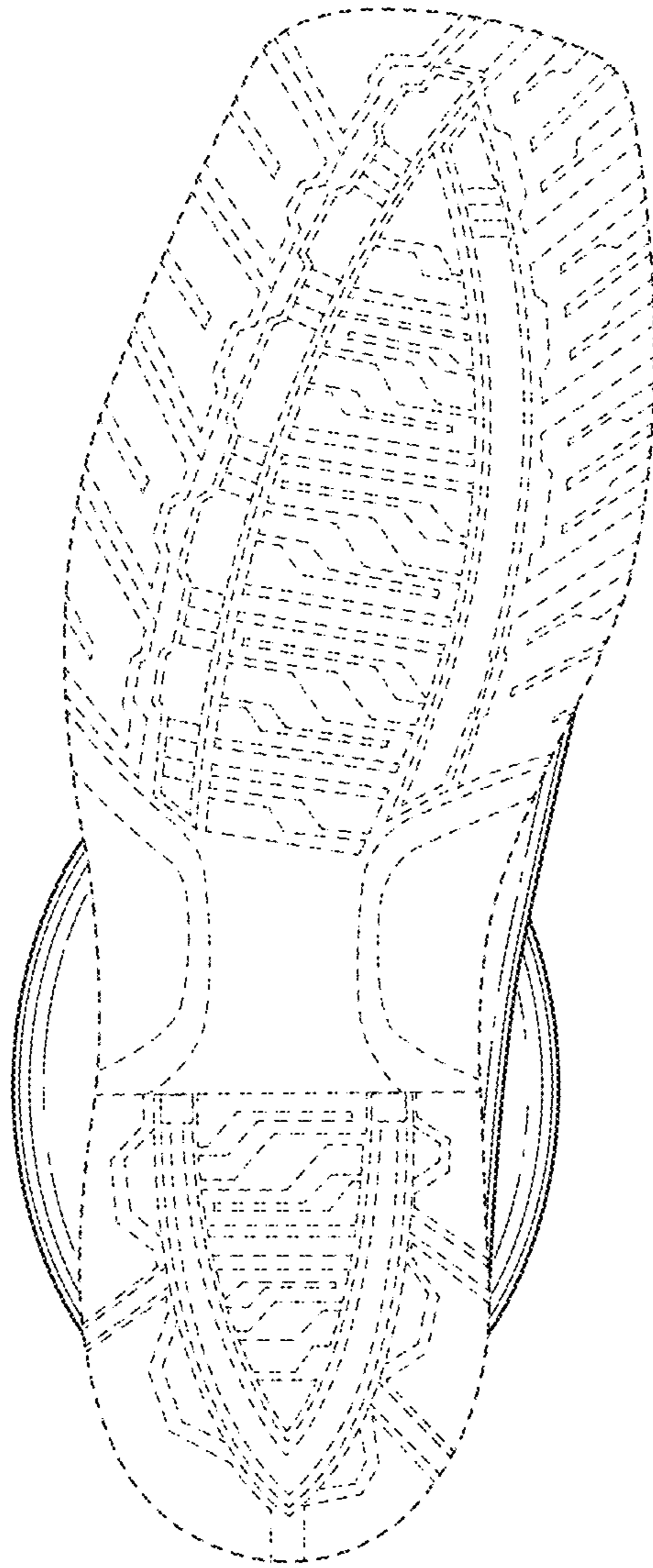


FIG. 6

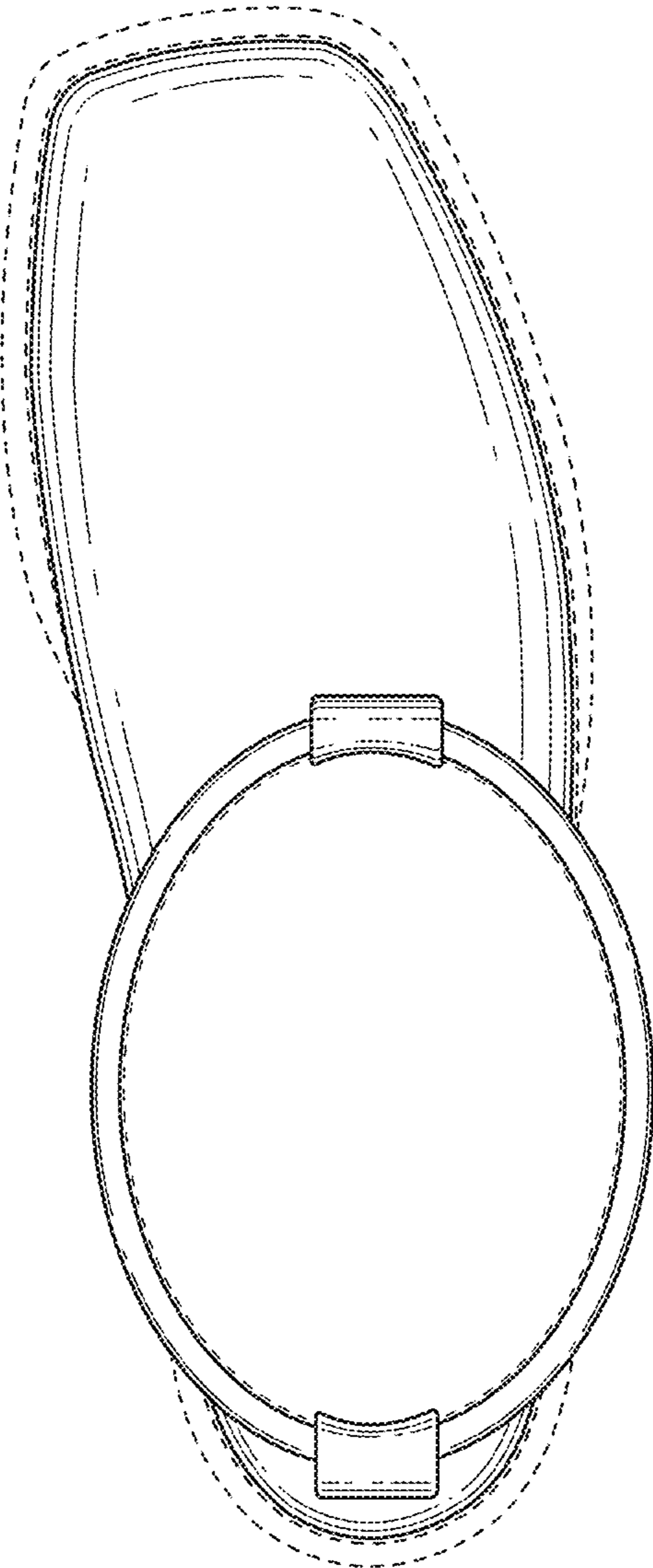


FIG. 7