



US00D723250S

(12) **United States Design Patent**
Taylor

(10) **Patent No.:** **US D723,250 S**
(45) **Date of Patent:** **** Mar. 3, 2015**

(54) **SLIPPER**

(71) Applicant: **Kevin Darrell Taylor**, Farr West, UT
(US)

(72) Inventor: **Kevin Darrell Taylor**, Farr West, UT
(US)

(**) Term: **14 Years**

(21) Appl. No.: **29/492,427**

(22) Filed: **May 30, 2014**

(51) **LOC (10) Cl.** **02-04**

(52) **U.S. Cl.**
USPC **D2/919; D2/913; D24/192**

(58) **Field of Classification Search**
CPC A43B 3/20; A43B 3/16; A43B 13/38;
A43B 23/00; A43B 5/12; A43B 3/122;
A43B 3/10; A43C 11/00
USPC D2/896, 901, 902, 906, 909, 910, 913,
D2/914, 915, 948, 954, 962, 972;
D24/192; 36/7.1 R, 113, 114, 126-130,
36/132, 2 R, 1.5, 58.5, 69, 77 R, 7.3, 135;
D29/121.2
See application file for complete search history.

(56) **References Cited**

U.S. PATENT DOCUMENTS

- 1,558,378 A * 10/1925 McAuley 36/7.2
- D85,164 S 9/1931 Cristofaro
- D97,738 S 12/1935 Manby
- D108,112 S 1/1938 Biel
- D146,735 S 5/1947 Carpenter
- D153,768 S 5/1949 Diamant
- 2,703,405 A * 3/1955 Smallberg, Sr. 2/239
- 3,487,830 A * 1/1970 Pruett 602/11
- 3,716,932 A 2/1973 Pakulak
- 3,834,377 A 9/1974 Lebold
- D312,168 S 11/1990 Osterhout
- D323,240 S * 1/1992 Cornell D2/913
- 5,339,542 A * 8/1994 Kim 36/7.2

- D354,846 S 1/1995 Minkin
- 5,471,767 A * 12/1995 Walker 36/2.6
- D377,860 S 2/1997 Renault
- D385,039 S * 10/1997 Kesting et al. D24/192
- D385,985 S 11/1997 Brooks
- D391,744 S * 3/1998 McMaster D2/913
- 6,041,443 A 3/2000 Pas et al.
- D425,289 S * 5/2000 Sheppard et al. D2/913
- D435,715 S * 1/2001 Hunter et al. D2/913
- D437,105 S * 2/2001 Mahjied D2/913
- D452,989 S 1/2002 Chen
- D454,395 S * 3/2002 Stephens D24/192
- D470,647 S * 2/2003 Johnson D2/913
- D489,518 S 5/2004 Maxfield
- D500,189 S * 12/2004 Mahjied D2/913
- 7,302,764 B2 12/2007 Harris et al.
- D584,032 S 1/2009 Jarosik
- D597,734 S * 8/2009 Beckett D2/909

(Continued)

FOREIGN PATENT DOCUMENTS

- JP 07-008519 1/1995
- KR 20130057057 A 5/2013

Primary Examiner — Ian Simmons
Assistant Examiner — Rashida C McCoy
(74) *Attorney, Agent, or Firm* — Dowell & Dowell, P.C.;
Jorie L. Stroup

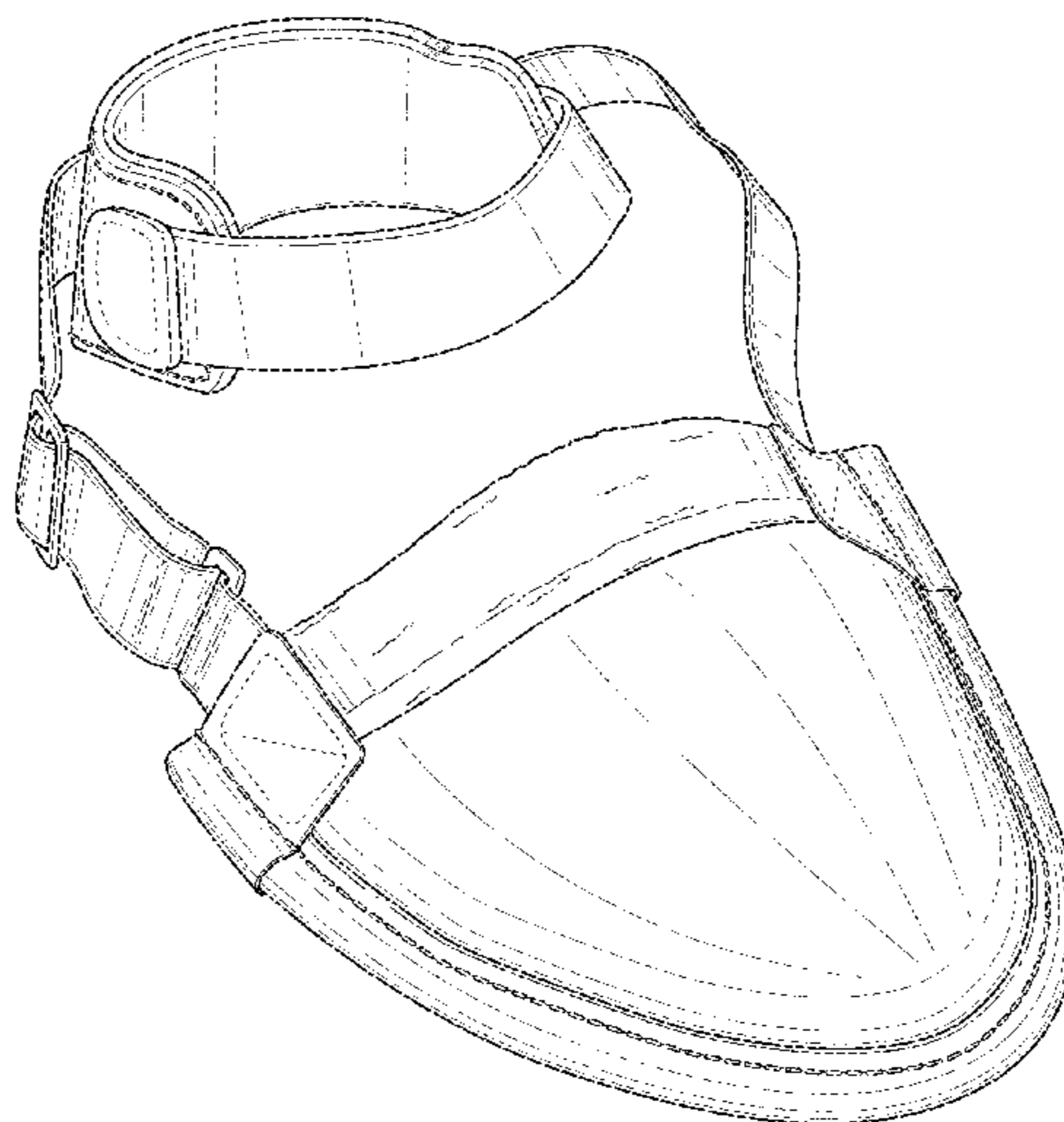
(57) **CLAIM**

The ornamental design for a slipper, as shown and described.

DESCRIPTION

FIG. 1 is a front perspective view of a slipper showing our new design;
FIG. 2 is a left side view thereof;
FIG. 3 is a right side view thereof;
FIG. 4 is a rear view thereof;
FIG. 5 is a bottom plan view thereof; and,
FIG. 6 is a top plan view thereof.
The broken lines shown on the surface of the slipper represent claimed stitching.

1 Claim, 6 Drawing Sheets



(56)

References Cited

U.S. PATENT DOCUMENTS

D618,448 S 6/2010 Hill et al.
D648,512 S 11/2011 Schlageter et al.
8,156,947 B2 4/2012 Viola et al.
8,468,723 B2 6/2013 Malka-Harari

2005/0066547 A1 3/2005 Al-Rasheed
2006/0230634 A1 10/2006 Montalbano
2008/0120869 A1 5/2008 Roy et al.
2009/0235433 A1 9/2009 Harris et al.
2011/0023335 A1 2/2011 Carol et al.
2013/0312283 A1 11/2013 Tanabe

* cited by examiner

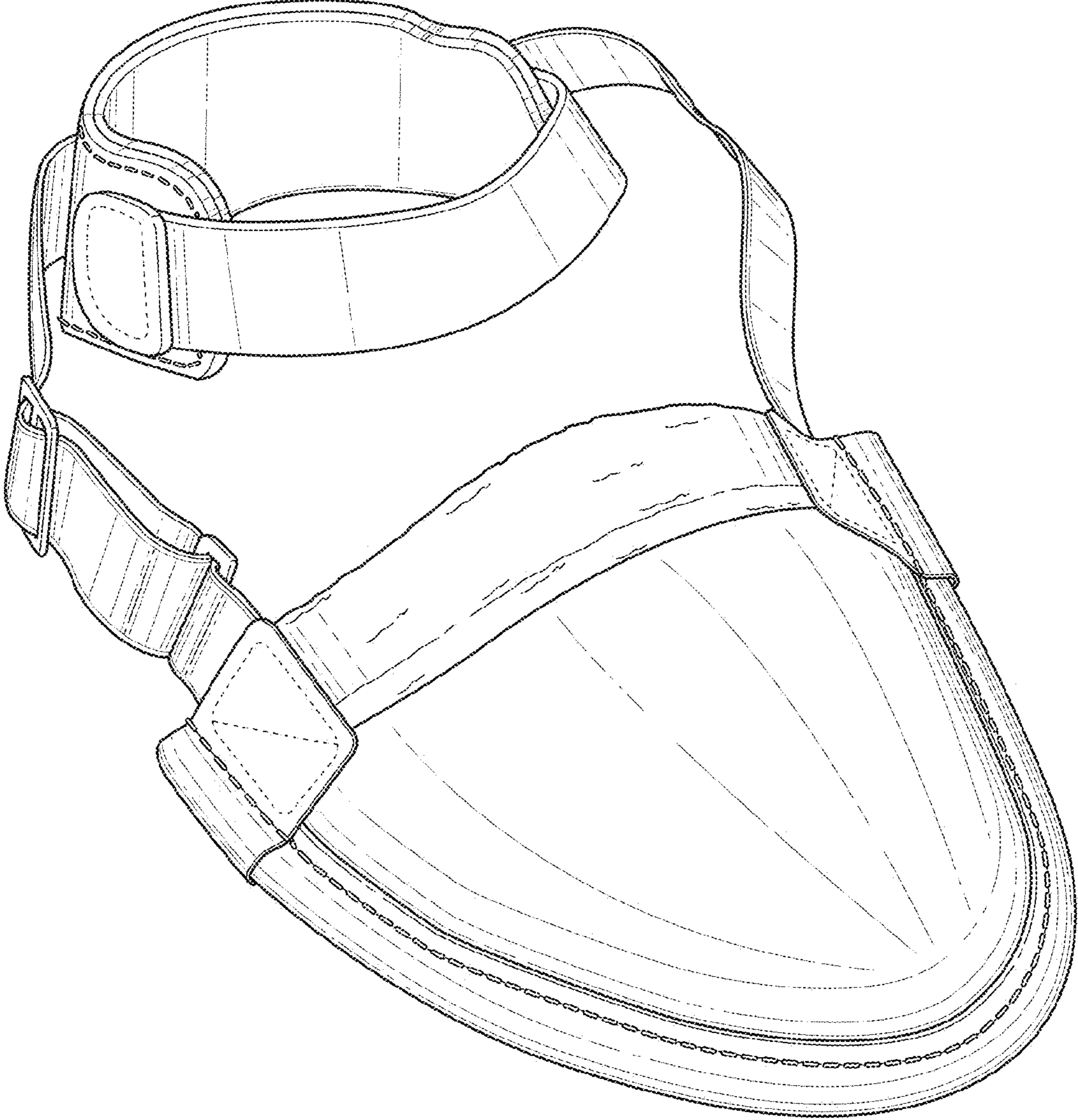


FIG. 1

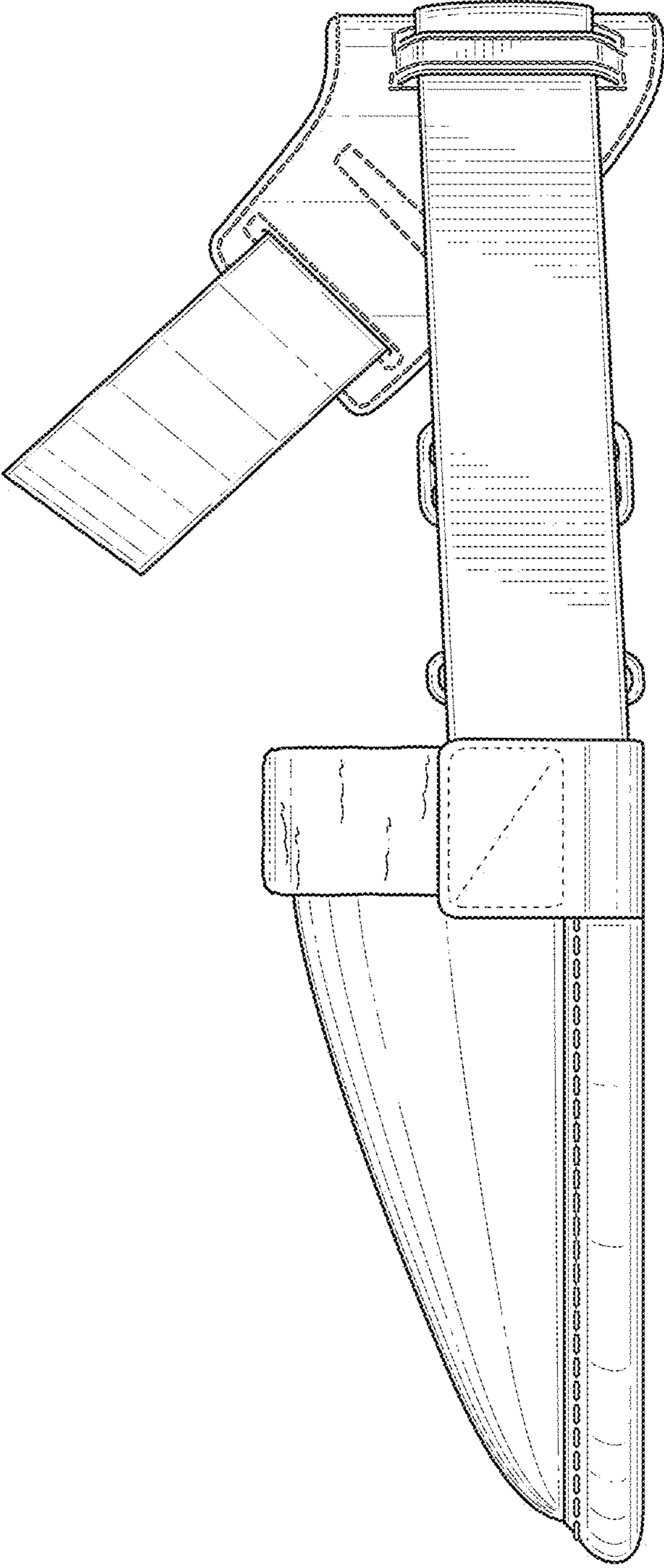


FIG. 2

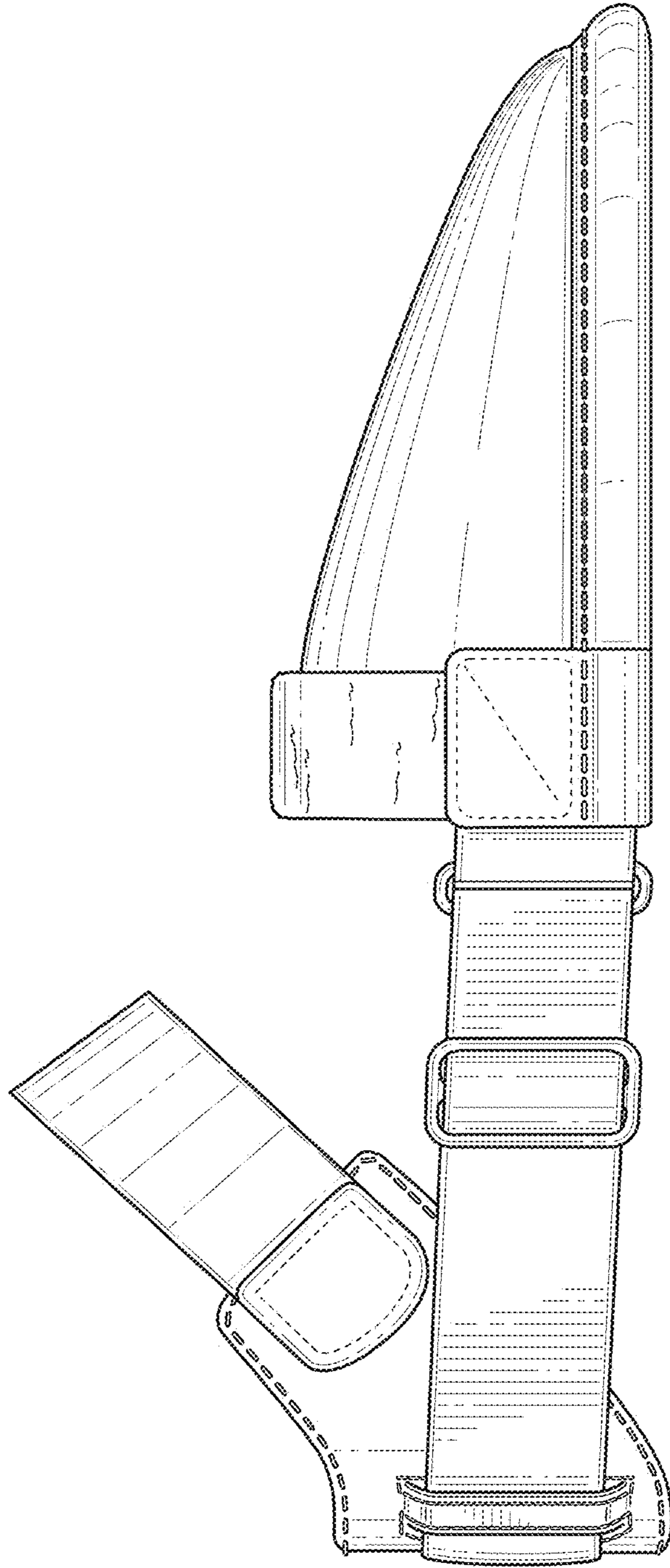


FIG. 3

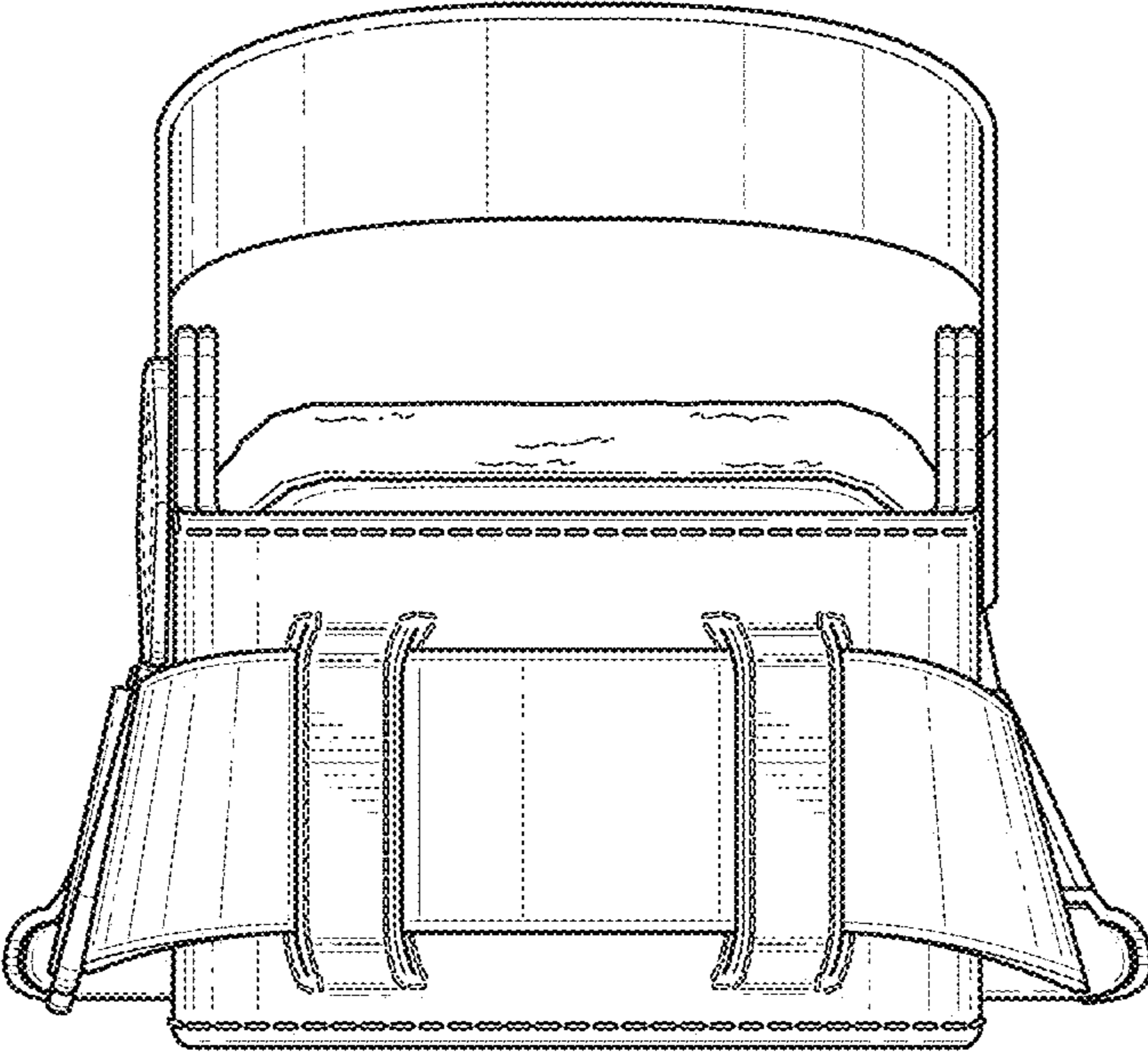


FIG. 4

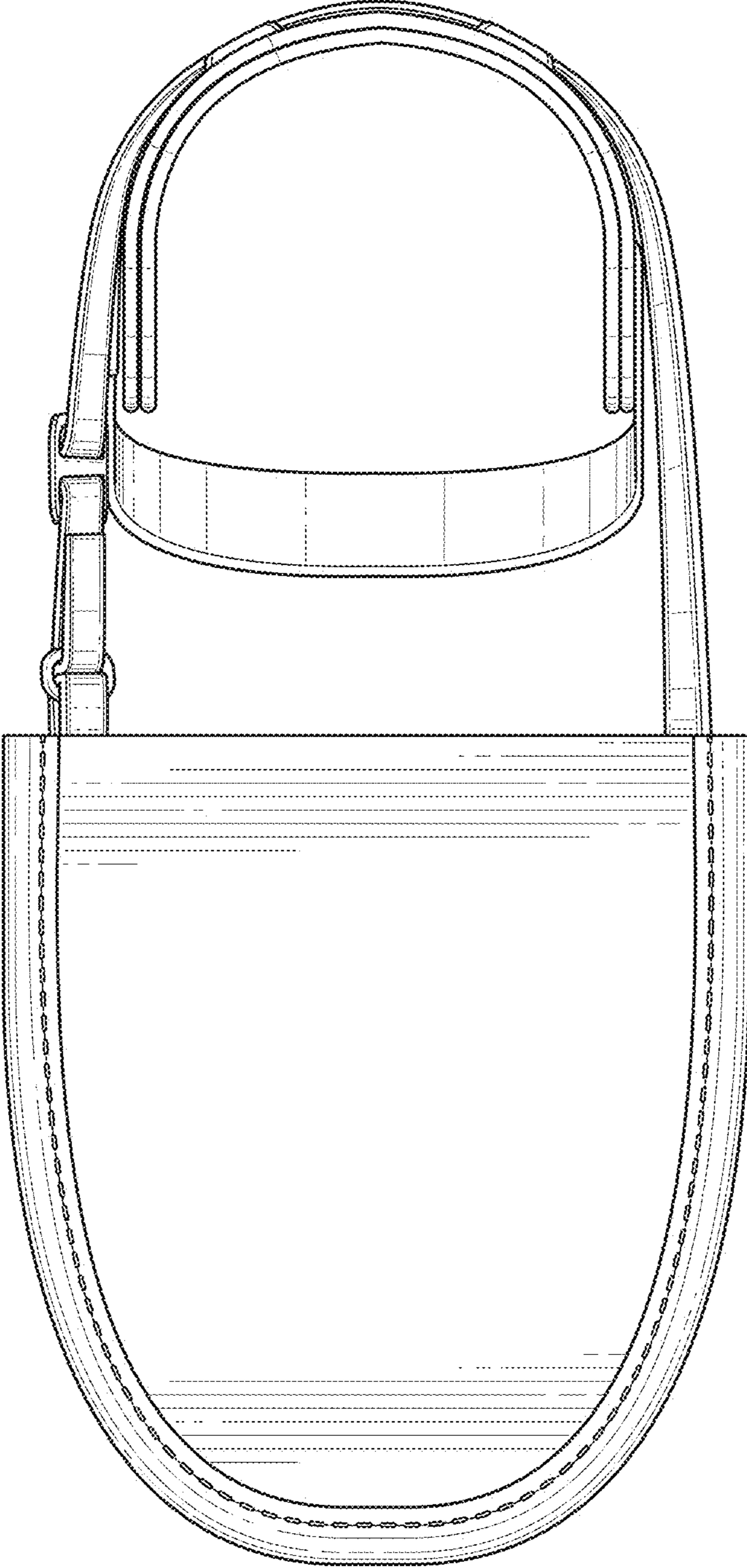


FIG. 5

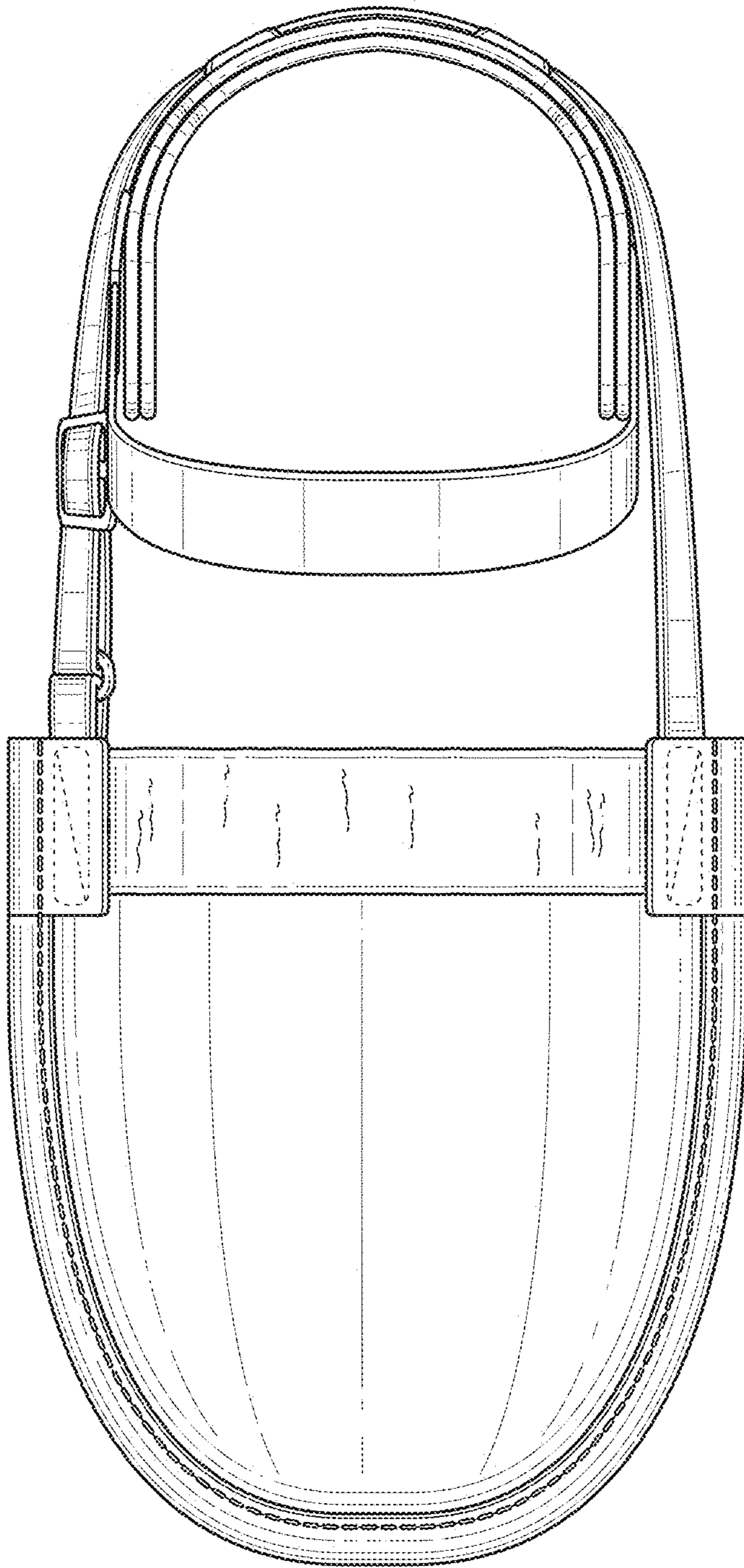


FIG. 6