



US00D723247S

(12) **United States Design Patent**
White

(10) **Patent No.:** **US D723,247 S**
(45) **Date of Patent:** **** Mar. 3, 2015**

(54) **BOOT REMOVAL STAND**
(71) Applicant: **Roy White**, Stowell, TX (US)
(72) Inventor: **Roy White**, Stowell, TX (US)
(**) Term: **14 Years**
(21) Appl. No.: **29/434,661**

(22) Filed: **Oct. 16, 2012**
(51) **LOC (10) Cl.** **07-99**
(52) **U.S. Cl.**
USPC **D2/642**
(58) **Field of Classification Search**
CPC A47G 25/80; A47G 25/82; A47G 25/84;
A47G 25/86; A47G 25/88; A47G 25/90;
A47G 25/92; A47G 25/905; A47G 25/907;
A47G 25/908
USPC D2/641-642; D9/519, 529, 558, 564,
D9/781; D7/684; D23/413; D21/754;
223/111-118, 120; 150/160
See application file for complete search history.

(56) **References Cited**

U.S. PATENT DOCUMENTS

112,638	A *	3/1871	Rouard	223/115
192,485	A *	6/1877	Buzzell	223/114
235,054	A *	11/1880	Gatrell	223/115
459,680	A *	9/1891	Donauer	223/113
785,045	A *	3/1905	McDonald	223/115
835,147	A *	11/1906	Weber	223/116
1,748,643	A *	2/1930	Folsom	223/115

1,866,708	A *	7/1932	Hook	223/115
D223,182	S *	3/1972	Powell	D2/642
4,262,828	A *	4/1981	Kosakai	223/115
4,635,833	A *	1/1987	Scarlata	223/116
D288,030	S *	2/1987	Lauhoff	D2/642
4,666,070	A *	5/1987	McClung	223/117
D338,100	S *	8/1993	Fuccillo	D2/642
D372,113	S *	7/1996	Palmer et al.	D2/641
2007/0125813	A1 *	6/2007	Portuesi et al.	223/114

OTHER PUBLICATIONS

Regency Boot Jack, announced Aug. 19, 2012 [online], [site visited Nov. 6, 2014]. Available from Internet, URL: <<http://www.wilkinsonantiques.co.uk/antiques-miscellaneous-furniture/regency-boot-jack-541.html>>.*

* cited by examiner

Primary Examiner — Barbara Fox
Assistant Examiner — Dana K Weiland

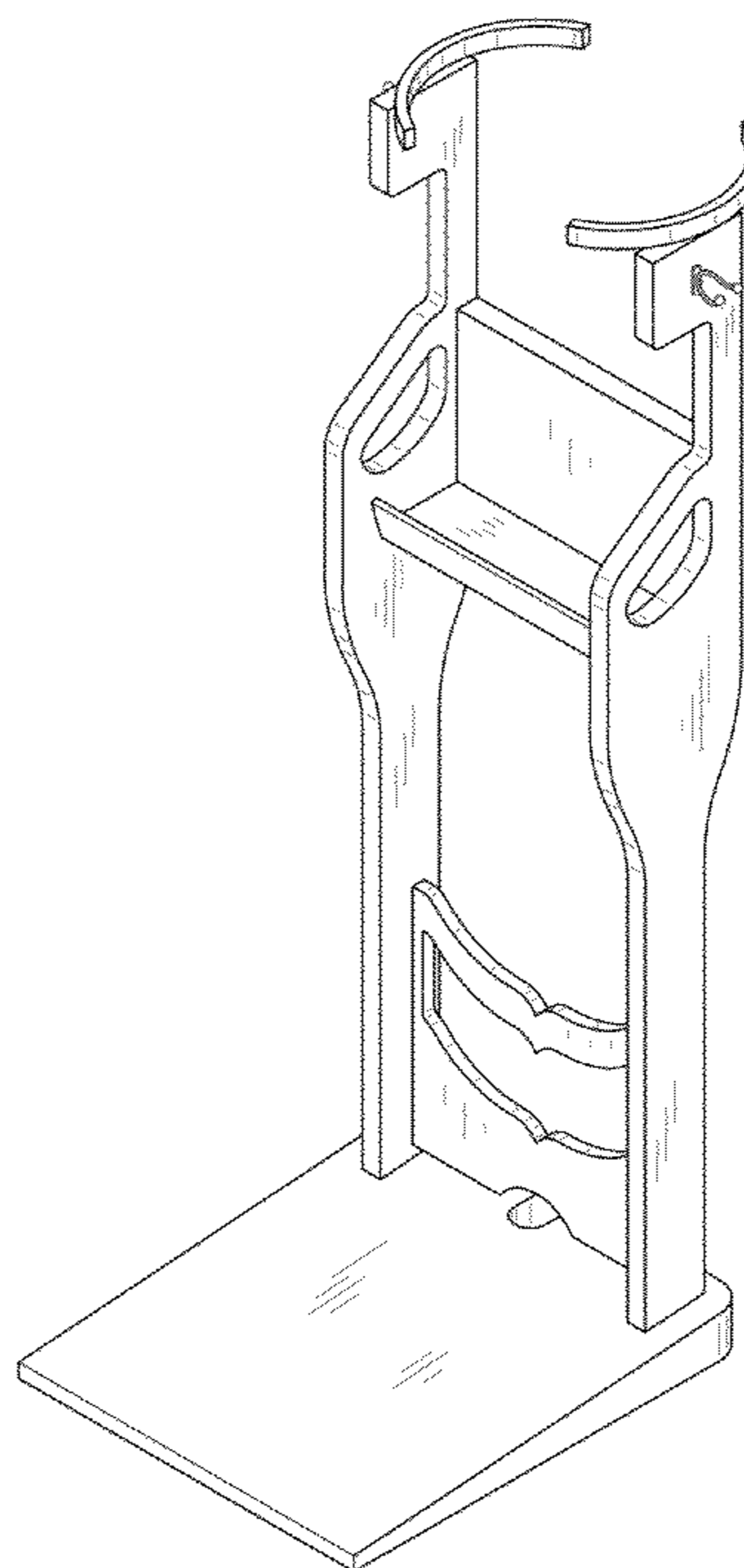
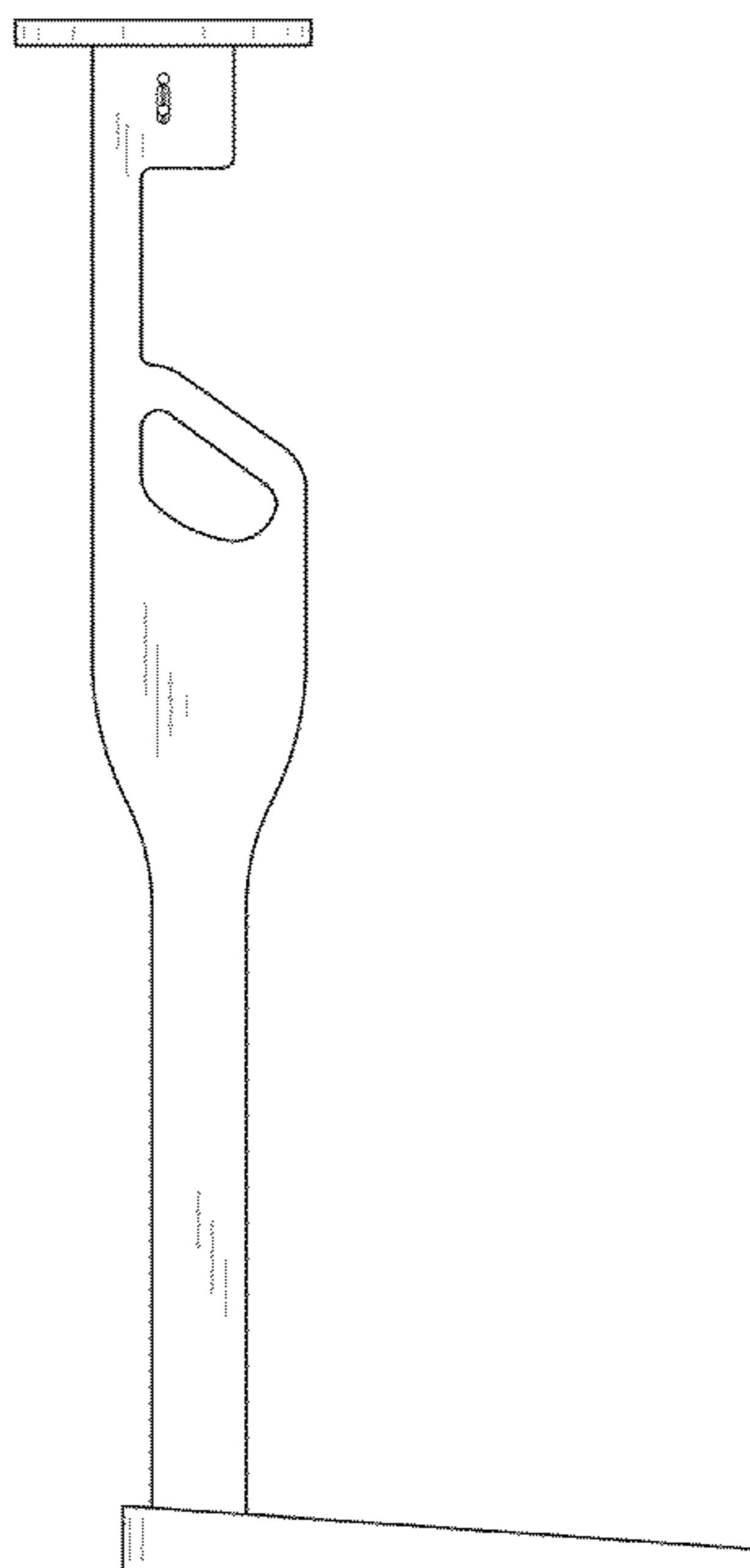
(57) **CLAIM**

I claim the ornamental design for the boot removal stand, as shown and described.

DESCRIPTION

FIG. 1 is a left side view of a boot removal stand showing my new design;
FIG. 2 is rear view thereof;
FIG. 3 is a front side view thereof;
FIG. 4 is a top view thereof;
FIG. 5 is a bottom view thereof; and,
FIG. 6 is a perspective view thereof.

1 Claim, 5 Drawing Sheets



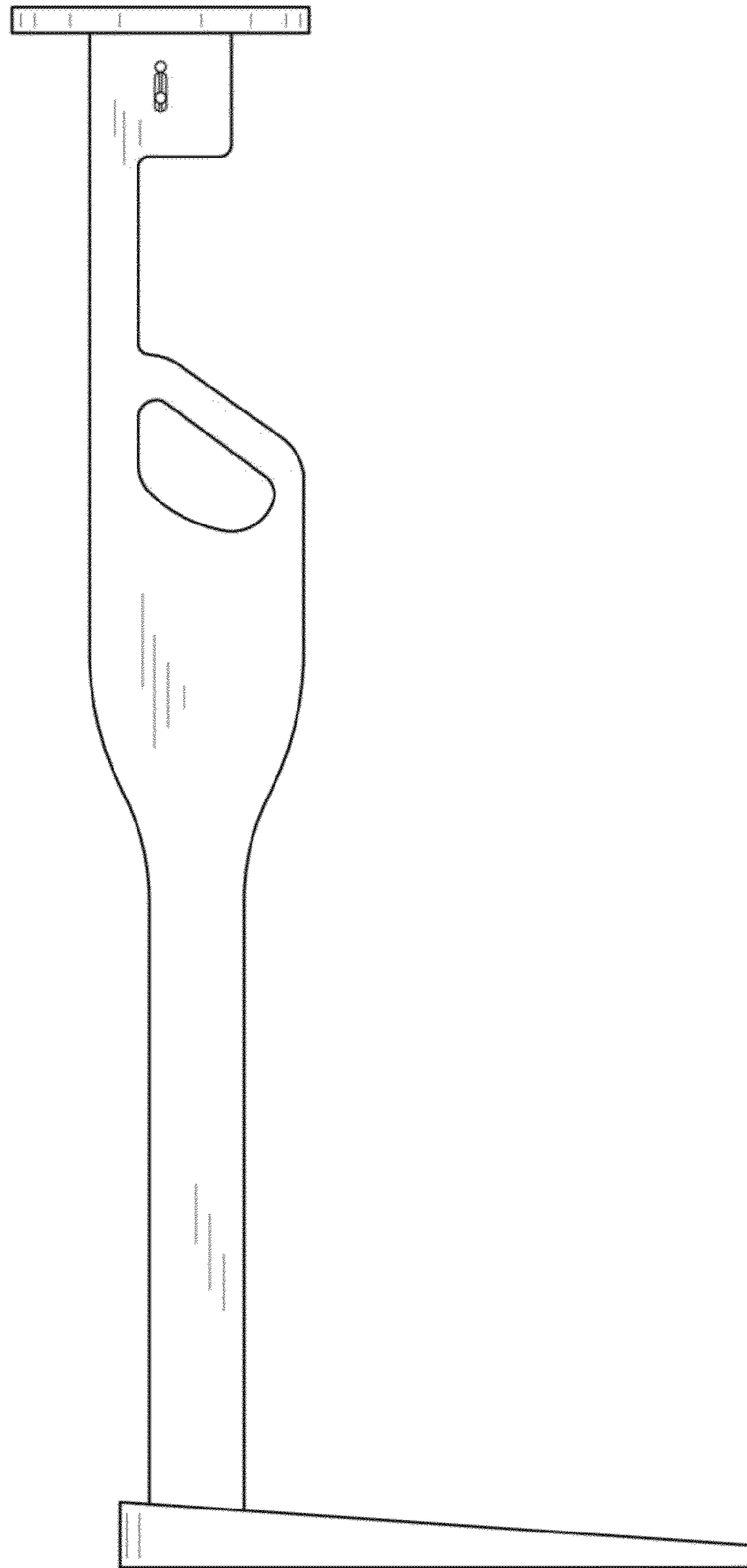


FIG. 1

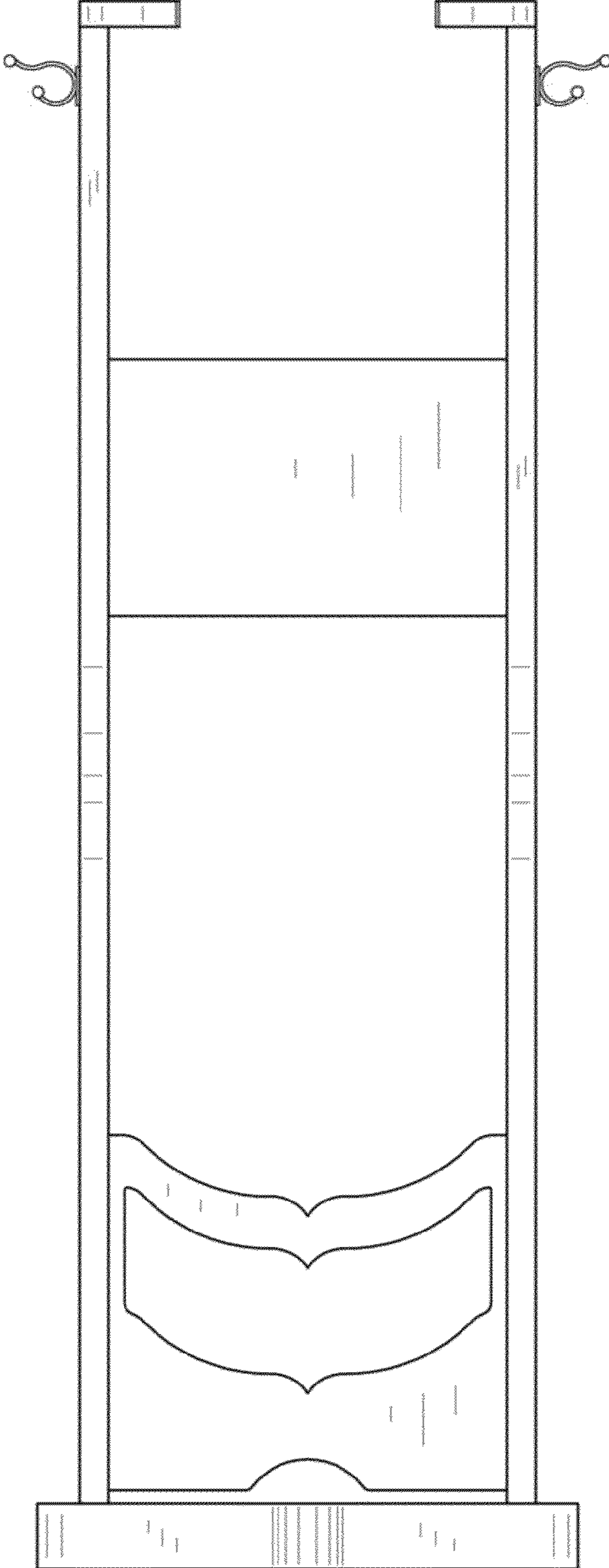


FIG. 2

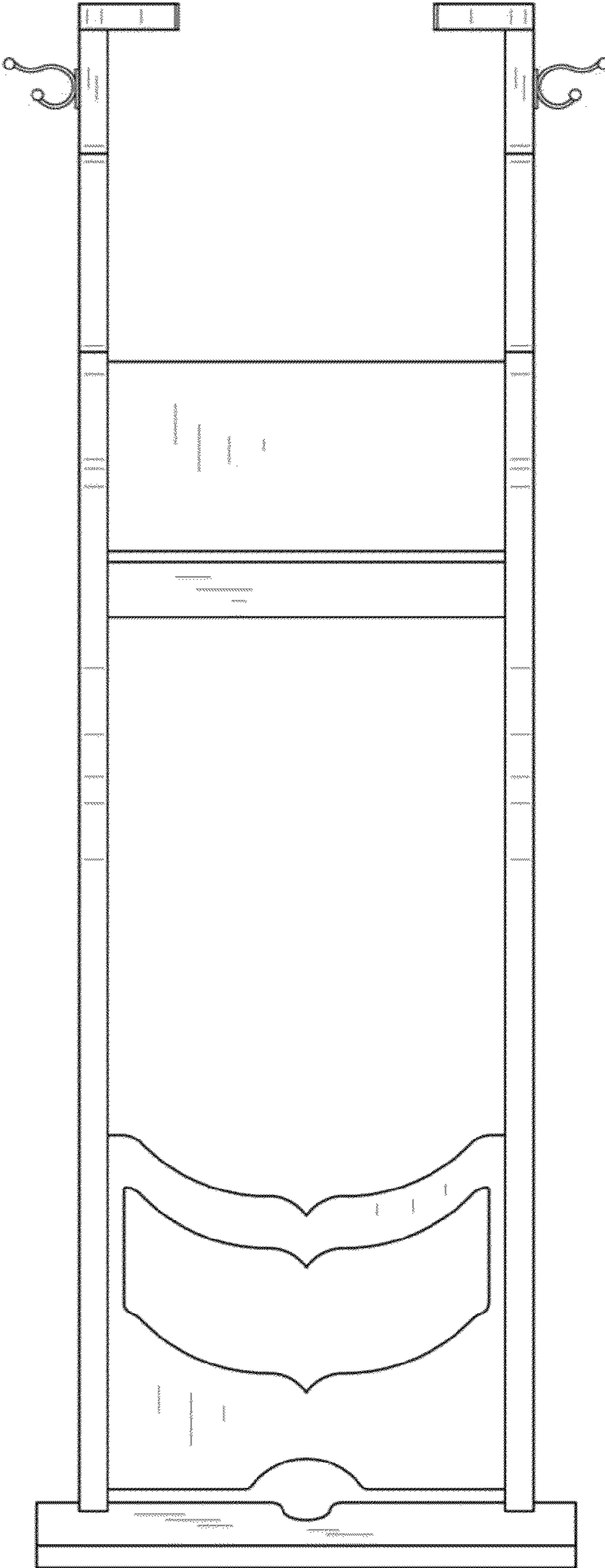


FIG. 3

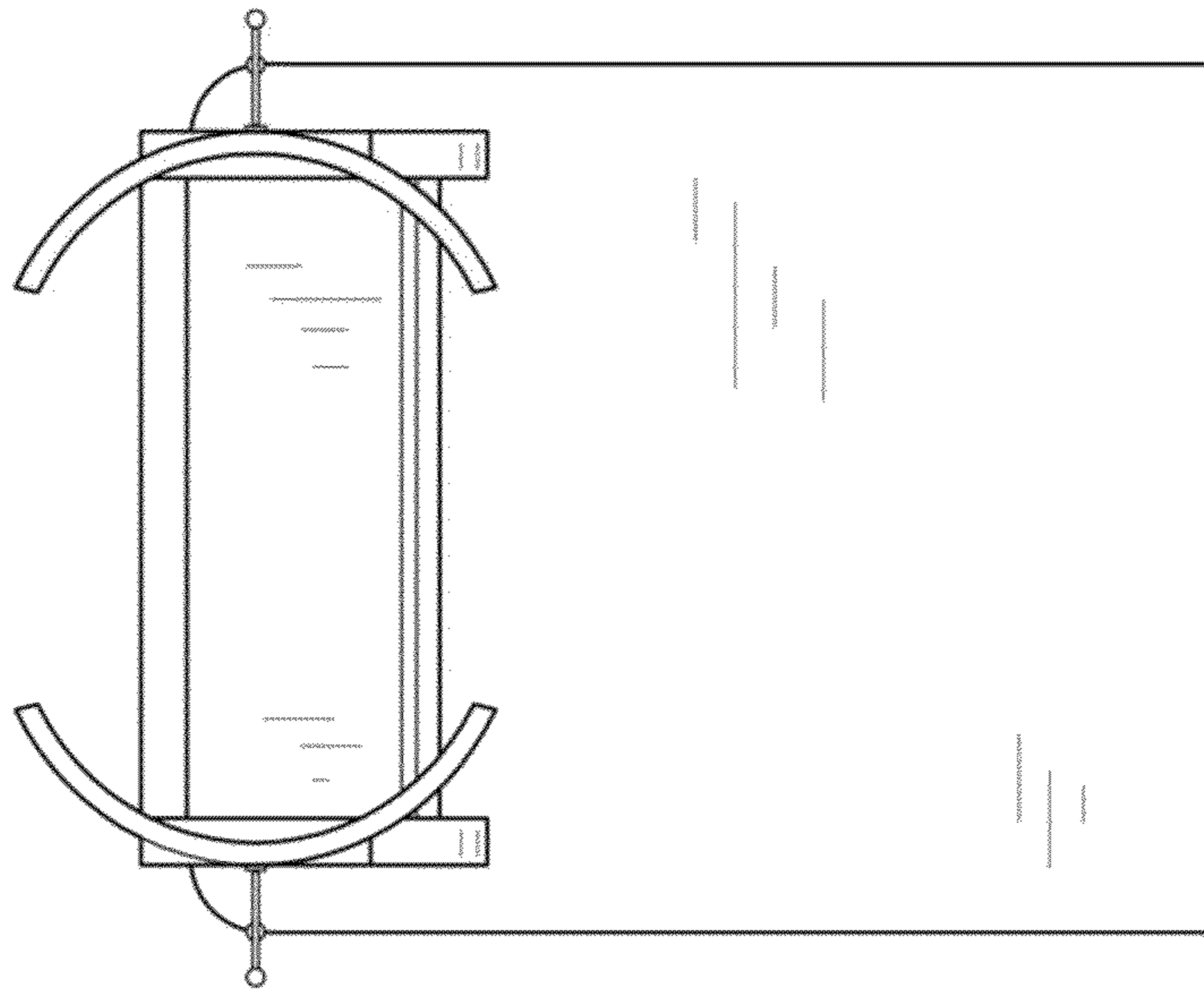


FIG. 4

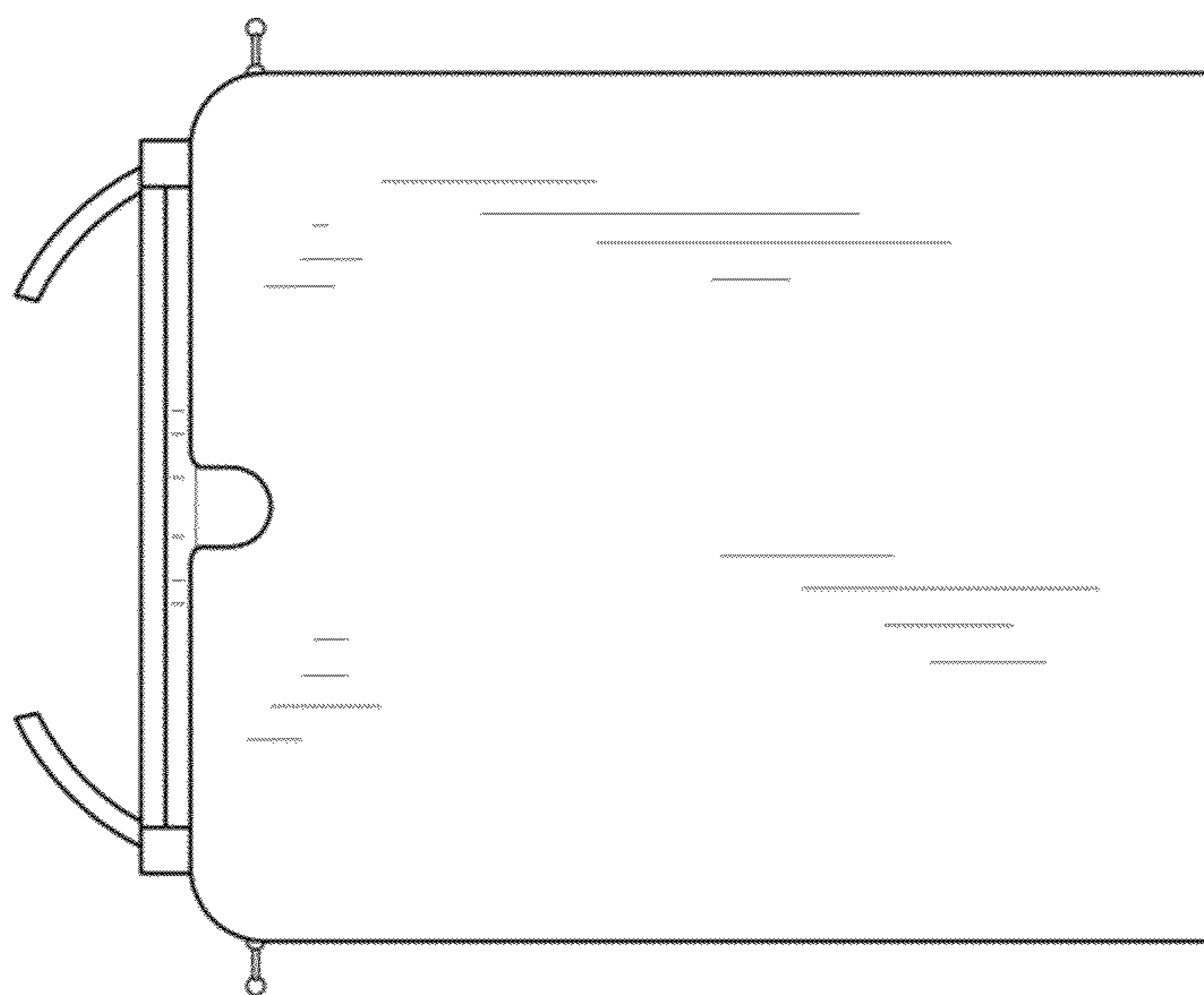


FIG. 5

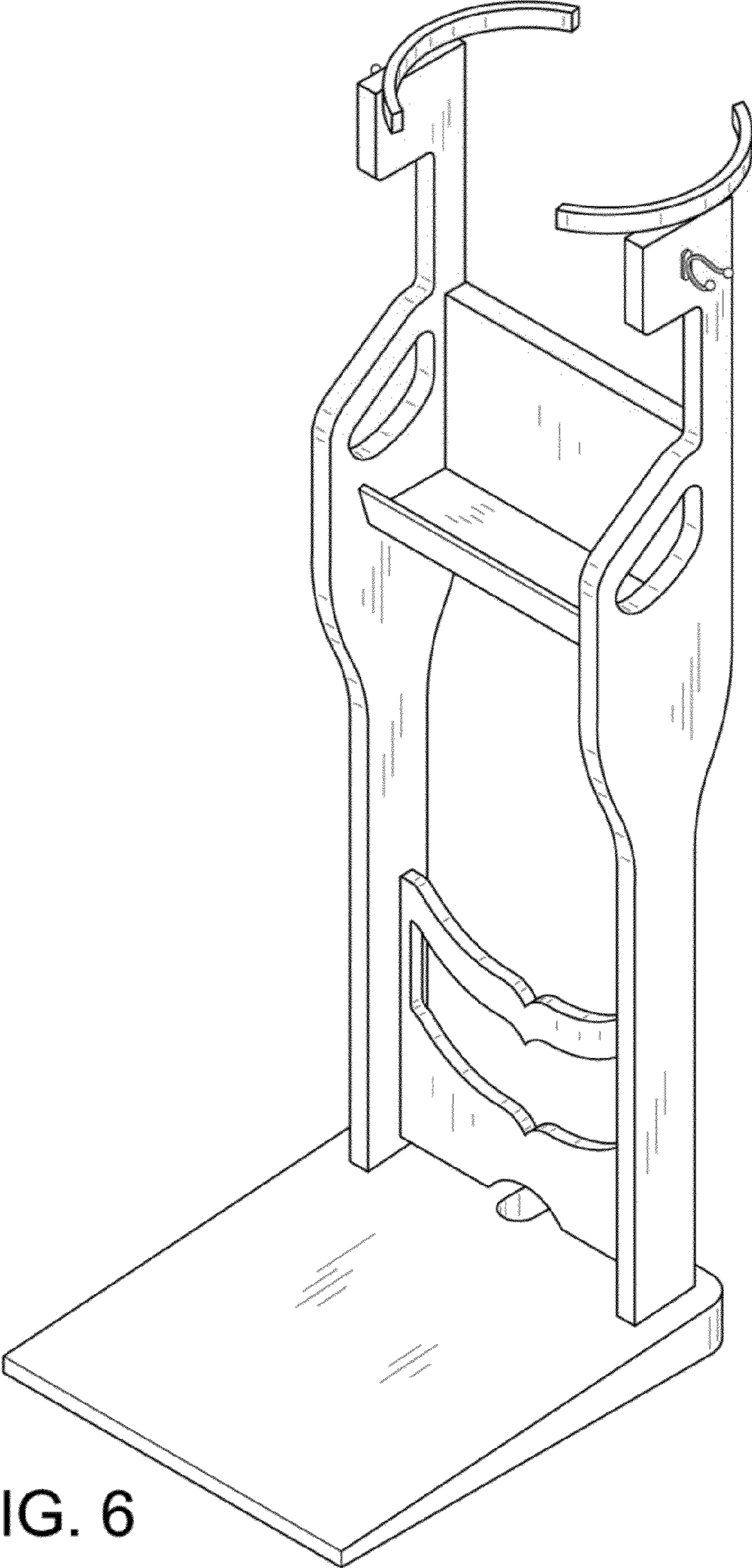


FIG. 6