



US00D723246S

(12) **United States Design Patent**  
**Schultz et al.**

(10) **Patent No.:** **US D723,246 S**  
(45) **Date of Patent:** **\*\* Mar. 3, 2015**

(54) **STRAP WITH STITCH PATTERN**  
(71) Applicants: **Trent M. Schultz**, Goleta, CA (US);  
**Michael Von Alvensleben**, Santa Maria,  
CA (US); **Jose D. Jimenez**, Santa  
Barbara, CA (US)  
(72) Inventors: **Trent M. Schultz**, Goleta, CA (US);  
**Michael Von Alvensleben**, Santa Maria,  
CA (US); **Jose D. Jimenez**, Santa  
Barbara, CA (US)

D16,700 S \* 5/1886 Meyer et al. .... D5/58  
D16,703 S \* 5/1886 Meyer et al. .... D5/59  
D16,705 S \* 5/1886 Meyer et al. .... D5/59  
D17,028 S \* 12/1886 Meyer et al. .... D5/58  
D17,031 S \* 12/1886 Meyer et al. .... D5/58  
D17,409 S \* 6/1887 Meyer et al. .... D5/58  
D18,341 S \* 5/1888 Meyer et al. .... D5/58  
D18,659 S \* 10/1888 Meyer et al. .... D5/58  
D18,800 S \* 12/1888 Meyer et al. .... D5/58  
D18,801 S \* 12/1888 Meyer et al. .... D5/58  
D19,132 S \* 6/1889 Meyer et al. .... D5/58  
D19,133 S \* 6/1889 Meyer et al. .... D5/58

(Continued)

(73) Assignee: **Kirby Morgan Dive Systems, Inc.**,  
Santa Maria, CA (US)

**OTHER PUBLICATIONS**

(\*\*) Term: **14 Years**

Amish Diamond in a Square Antique Quilt, announced Feb. 5, 2001  
[online]. [site visited Nov. 17, 2014]. Available from Internet, URL:  
<<http://www.laurafisherquilts.com/shop/Quilts/ANTIQUE-QUILTS/p/AMISH-DIAMOND-IN-A-SQUARE-ANTIQUE-QUILT-red-green-wool.htm>>.\*

(21) Appl. No.: **29/466,806**

(Continued)

(22) Filed: **Sep. 11, 2013**

(51) **LOC (10) Cl.** ..... **02-07**

(52) **U.S. Cl.**  
USPC ..... **D2/627**

(58) **Field of Classification Search**  
CPC ..... A45F 5/02; A45F 5/021; A45F 9/00;  
A45F 9/002; A44B 11/04  
USPC ..... D2/641-642, 627, 639, 626, 946, 772,  
D2/814, 817, 985, 994, 908, 951, 999;  
D11/3, 4, 9, 20, 79, 86, 87, 169, 201,  
D11/231; 24/3.12, 3.7, 182, 163 K, 17 B,  
24/304, 265 AL; D8/349; D5/55-63;  
D6/603, 616

*Primary Examiner* — Barbara Fox  
*Assistant Examiner* — Dana K Weiland  
(74) *Attorney, Agent, or Firm* — Cislo & Thomas, LLP

See application file for complete search history.

(57) **CLAIM**  
The ornamental design for a strap with stitch pattern, as  
shown and described.

(56) **References Cited**

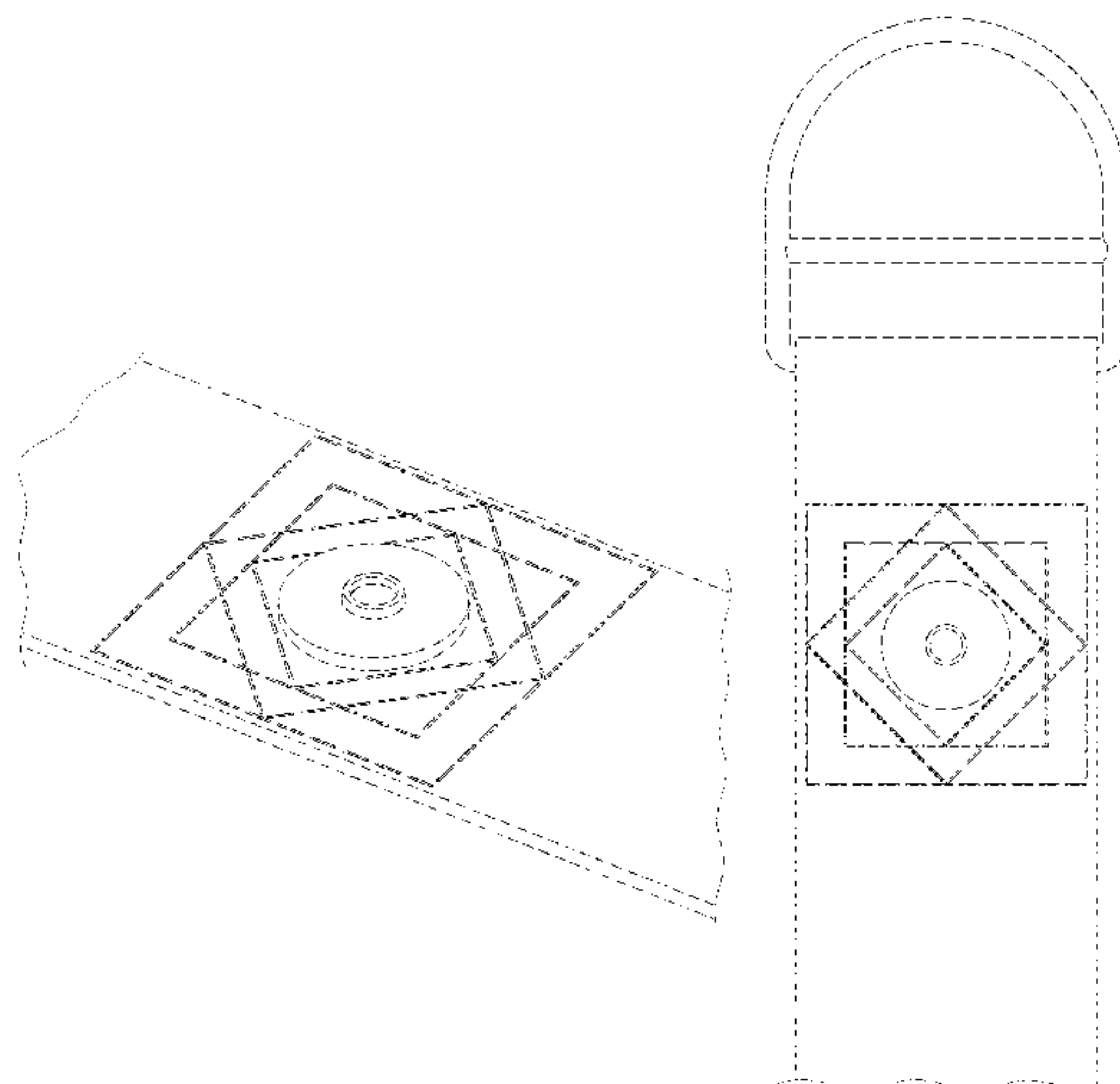
**DESCRIPTION**

**U.S. PATENT DOCUMENTS**

D6,546 S \* 4/1873 Meyer et al. .... D5/58  
D7,848 S \* 11/1874 Barrett ..... D5/59  
D11,894 S \* 8/1880 Meyer et al. .... D5/58  
D12,119 S \* 1/1881 Meyer et al. .... D5/58  
D12,341 S \* 7/1881 Meyer et al. .... D5/59  
D16,020 S \* 4/1885 Meyer et al. .... D5/59  
D16,698 S \* 5/1886 Meyer et al. .... D5/58

FIG. 1 is a perspective view of my strap with stitch pattern  
applied to a partial view of an article;  
FIG. 2 is a top view thereof; and  
FIG. 3 is another top view thereof showing more of the article;  
and,  
FIG. 4 is another top view of my strap with stitch pattern on  
another article.  
The long-short broken lines represent the bounds of the claim.  
The short-short broken lines represent portions of the strap  
with stitch pattern. The broken lines in the drawings form no  
part of the claimed design.

**1 Claim, 3 Drawing Sheets**



(56)

**References Cited**

U.S. PATENT DOCUMENTS

D19,138 S \* 6/1889 Meyer et al. .... D5/58  
D20,880 S \* 6/1891 Meyer et al. .... D5/59  
2,007,421 A \* 7/1935 Coughlin ..... 446/488  
D327,776 S \* 7/1992 Hodges ..... D5/4  
D419,780 S \* 2/2000 Funk et al. .... D5/53  
D448,574 S \* 10/2001 Graff et al. .... D5/53  
D449,453 S \* 10/2001 Duritsch et al. .... D5/58  
D501,350 S \* 2/2005 Kelly et al. .... D6/603

D613,949 S \* 4/2010 Mercer et al. .... D5/37  
D630,025 S \* 1/2011 Spitzer et al. .... D5/58  
D638,630 S \* 5/2011 Coffaro et al. .... D5/58

OTHER PUBLICATIONS

Quilt Pattern #179 Meditation, announced May 4, 2012 [online], [site visited Nov. 21, 2014]. Available from Internet, URL: <[http://www.lockwoodquilts.com/store/pieced\\_quilts/meditation.html](http://www.lockwoodquilts.com/store/pieced_quilts/meditation.html)>.\*

\* cited by examiner

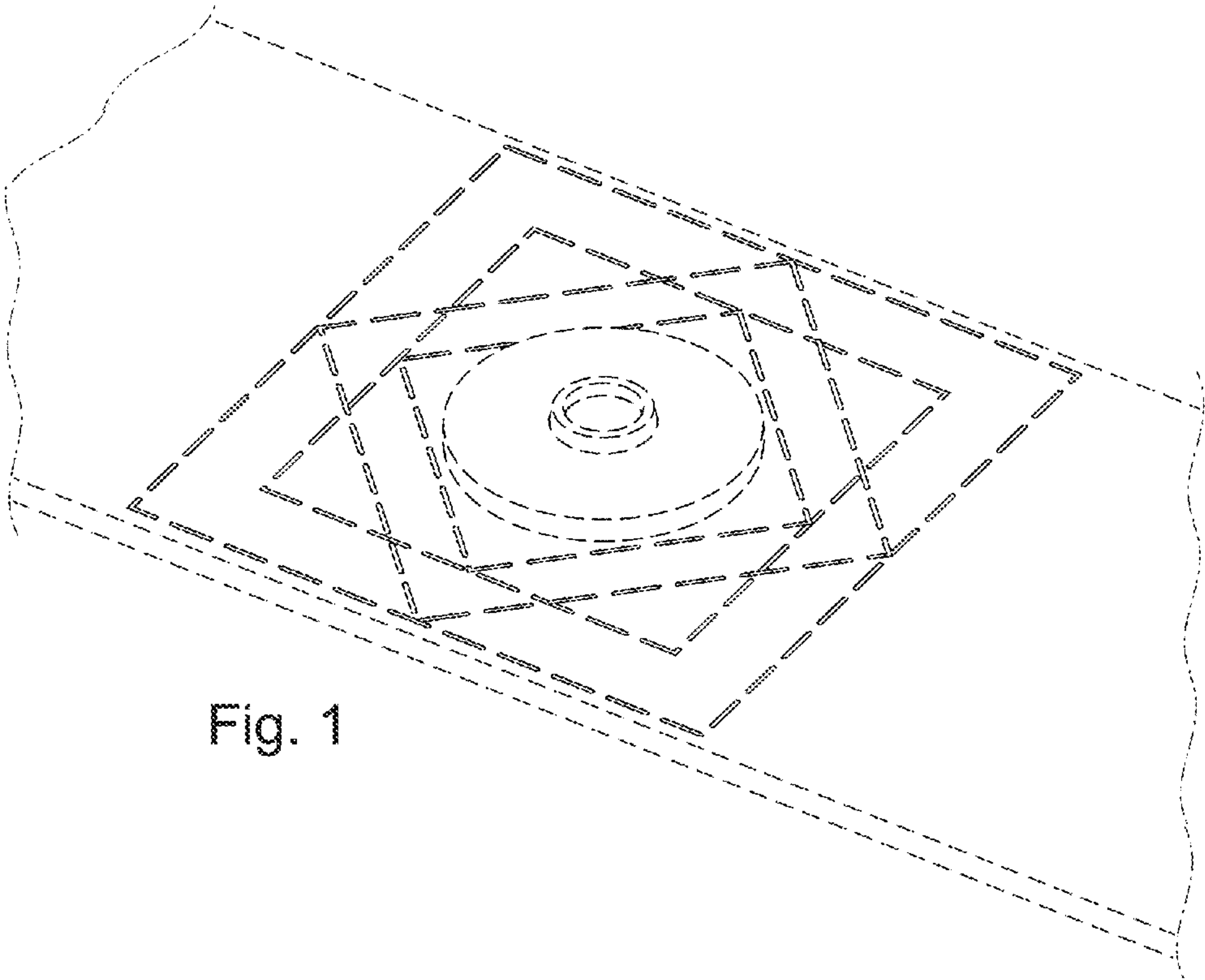


Fig. 1

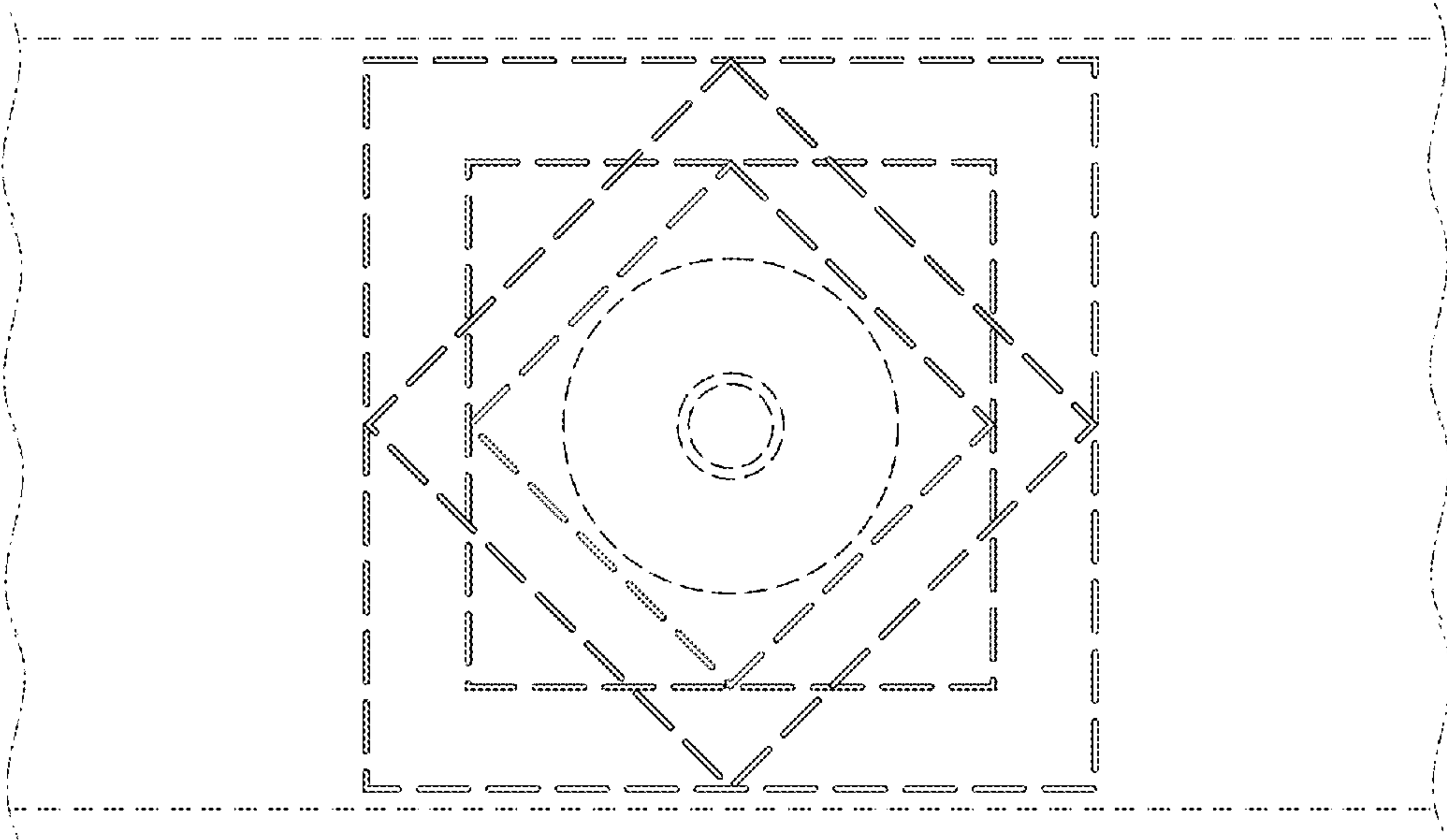


Fig. 2

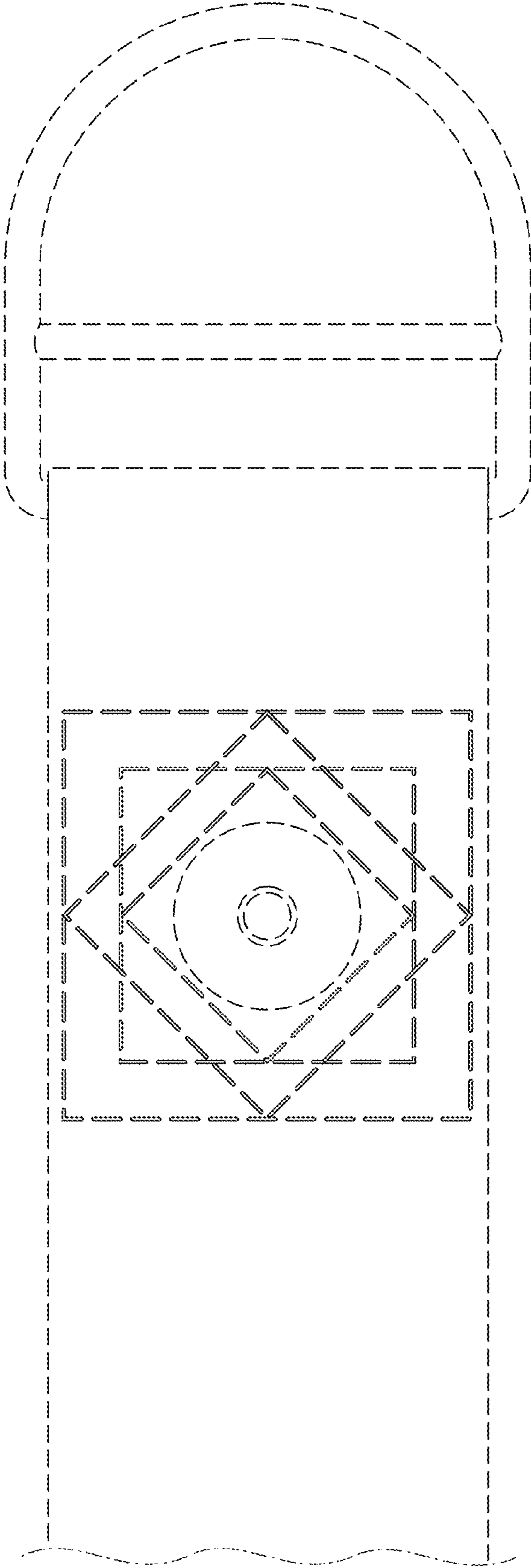


Fig. 3

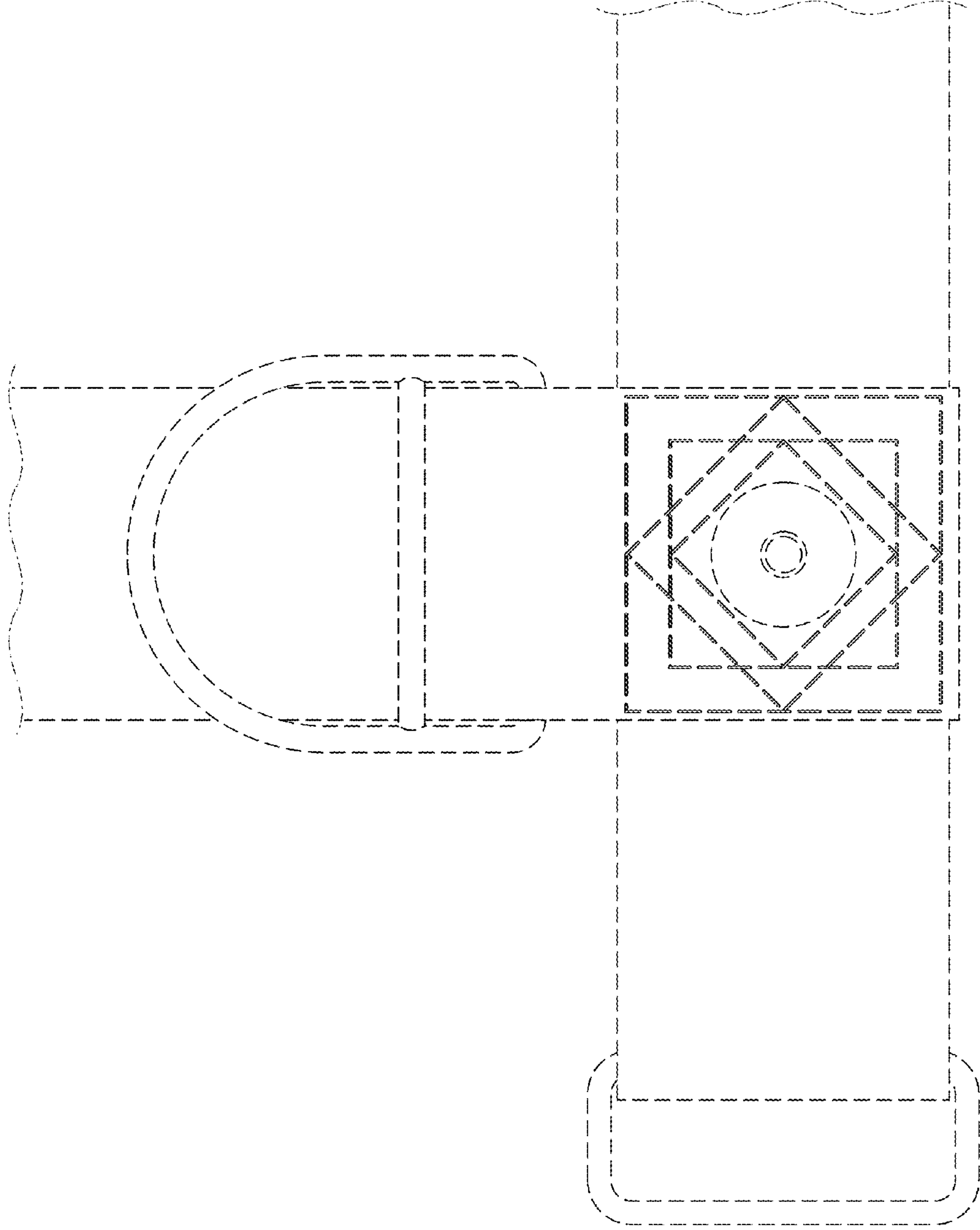


Fig. 4