



US00D723237S

(12) **United States Design Patent**
Maddux et al.

(10) **Patent No.:** **US D723,237 S**
(45) **Date of Patent:** **** Feb. 24, 2015**

- (54) **ROOM SERVICE MEAL DELIVERY CART**
- (71) Applicant: **Cambro Manufacturing Company**,
Huntington Beach, CA (US)
- (72) Inventors: **Larry Maddux**, Westminster, CA (US);
Jeff Nicholson, Long Beach, CA (US)
- (73) Assignee: **Cambro Manufacturing Company**,
Huntington Beach, CA (US)
- (**) Term: **14 Years**
- (21) Appl. No.: **29/452,269**
- (22) Filed: **Apr. 15, 2013**
- (51) **LOC (10) Cl.** **12-02**
- (52) **U.S. Cl.**
USPC **D34/12; D34/19**
- (58) **Field of Classification Search**
CPC B62B 1/00; B62B 7/00; B62B 2005/00;
B62B 2202/00
USPC D34/12-27; 280/30, 5.32, 651, 47.35,
280/79.11, 79.3, 47.26, 79.2; 312/249.12
See application file for complete search history.

(56) **References Cited**

U.S. PATENT DOCUMENTS

D242,908	S	*	1/1977	Seider et al.	D34/14
D281,363	S	*	11/1985	Carvel	D34/20
D303,307	S	*	9/1989	Juergens	D34/19
5,011,240	A	*	4/1991	Kelley et al.	312/249.12
5,016,948	A	*	5/1991	Welch et al.	312/249.12
D320,683	S	*	10/1991	Welch	D34/19
D323,915	S	*	2/1992	Welch	D34/21
D355,517	S	*	2/1995	Campbell et al.	D34/20
D361,187	S	*	8/1995	Snell	D34/21
D361,419	S	*	8/1995	Snell	D34/21
D361,422	S	*	8/1995	Coates	D34/27
D361,643	S	*	8/1995	Snell	D34/21
D361,910	S	*	9/1995	Maple et al.	D6/445
D362,101	S	*	9/1995	Maddux et al.	D34/20

D367,349	S	*	2/1996	Insalaco et al.	D34/19
D370,328	S	*	5/1996	Mathews et al.	D34/19
D391,032	S	*	2/1998	Delmerico	D34/21
D393,553	S	*	4/1998	Beggs	D6/476
D406,431	S	*	3/1999	Tisbo et al.	D34/20
D410,127	S	*	5/1999	Colomban	D34/21
D411,044	S	*	6/1999	Maddux et al.	D34/20
D440,369	S	*	4/2001	LaFollette et al.	D34/19
D442,756	S	*	5/2001	Jarvis et al.	D34/19
D450,903	S	*	11/2001	Wacker et al.	D34/20
D457,704	S	*	5/2002	Fiscus et al.	D34/20
D468,881	S	*	1/2003	Cox	D34/19
D509,939	S	*	9/2005	Hay et al.	D34/20
D524,506	S	*	7/2006	Hay et al.	D34/20
D527,158	S	*	8/2006	Steinmeyer	D34/17
D555,870	S	*	11/2007	Zorzo	D34/14
D556,416	S	*	11/2007	Zorzo	D34/19
D557,870	S	*	12/2007	MacMillan	D34/14

(Continued)

Primary Examiner — Cynthia Ramirez

Assistant Examiner — Gino Colan

(74) *Attorney, Agent, or Firm* — George F. Bethel

(57) **CLAIM**

We claim the ornamental design for a room service meal delivery cart, as shown and described.

DESCRIPTION

FIG. 1 is a frontal perspective view showing the top, front and left side of the room service meal delivery cart.

FIG. 2 is a front elevation view.

FIG. 3 is a left side elevation view.

FIG. 4 is a top plan view.

FIG. 5 is a right side elevation view.

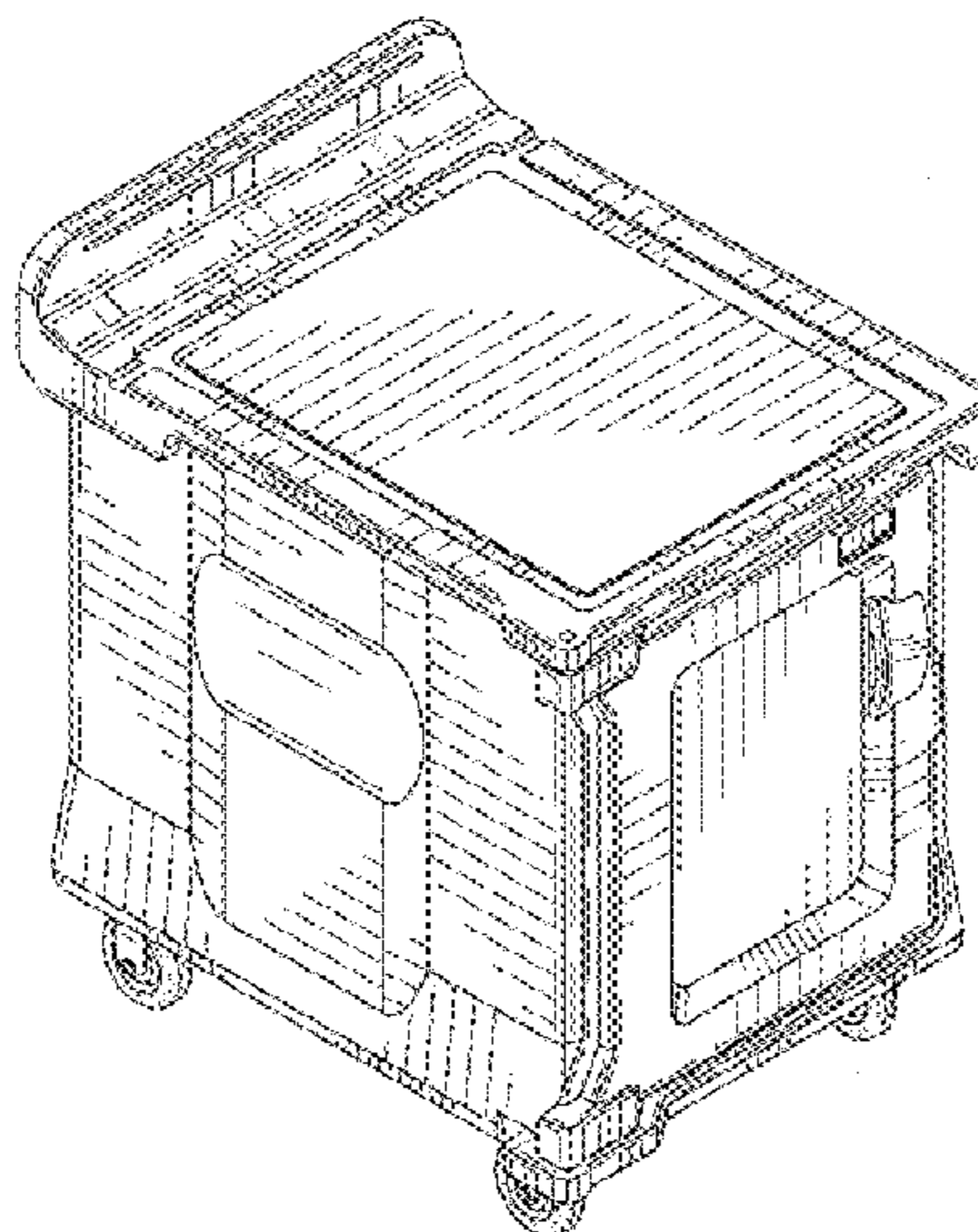
FIG. 6 is a rear elevation view.

FIG. 7 is a bottom plan view; and,

FIG. 8 is a left side bottom perspective view of the room service meal delivery cart.

The broken lines shown in FIG. 6 are for the purpose of illustrating portions of the room service meal delivery cart and form no part of the claimed design.

1 Claim, 5 Drawing Sheets



(56)

References Cited

U.S. PATENT DOCUMENTS

7,306,243 B2 * 12/2007 Van Horn et al. 280/30
D572,424 S * 7/2008 Presnell et al. D34/14
D588,322 S * 3/2009 Tilk et al. D34/20
D591,021 S * 4/2009 Peacock D34/17
D598,622 S * 8/2009 Wise D34/19
D604,022 S * 11/2009 Abel et al. D34/17
D637,373 S * 5/2011 Benning et al. D34/19

D665,597 S * 8/2012 Dufoure et al. D6/445
D673,751 S * 1/2013 Freimuth et al. D34/12
D697,284 S * 1/2014 Ho et al. D34/12
D697,685 S * 1/2014 Maddux D34/19
D703,903 S * 4/2014 Tuncel D34/14
D703,904 S * 4/2014 Knoll et al. D34/20
D707,912 S * 6/2014 Koehler et al. D34/19
D708,809 S * 7/2014 Maddux et al. D34/19
2009/0200902 A1 * 8/2009 McKay et al. 312/249.12

* cited by examiner

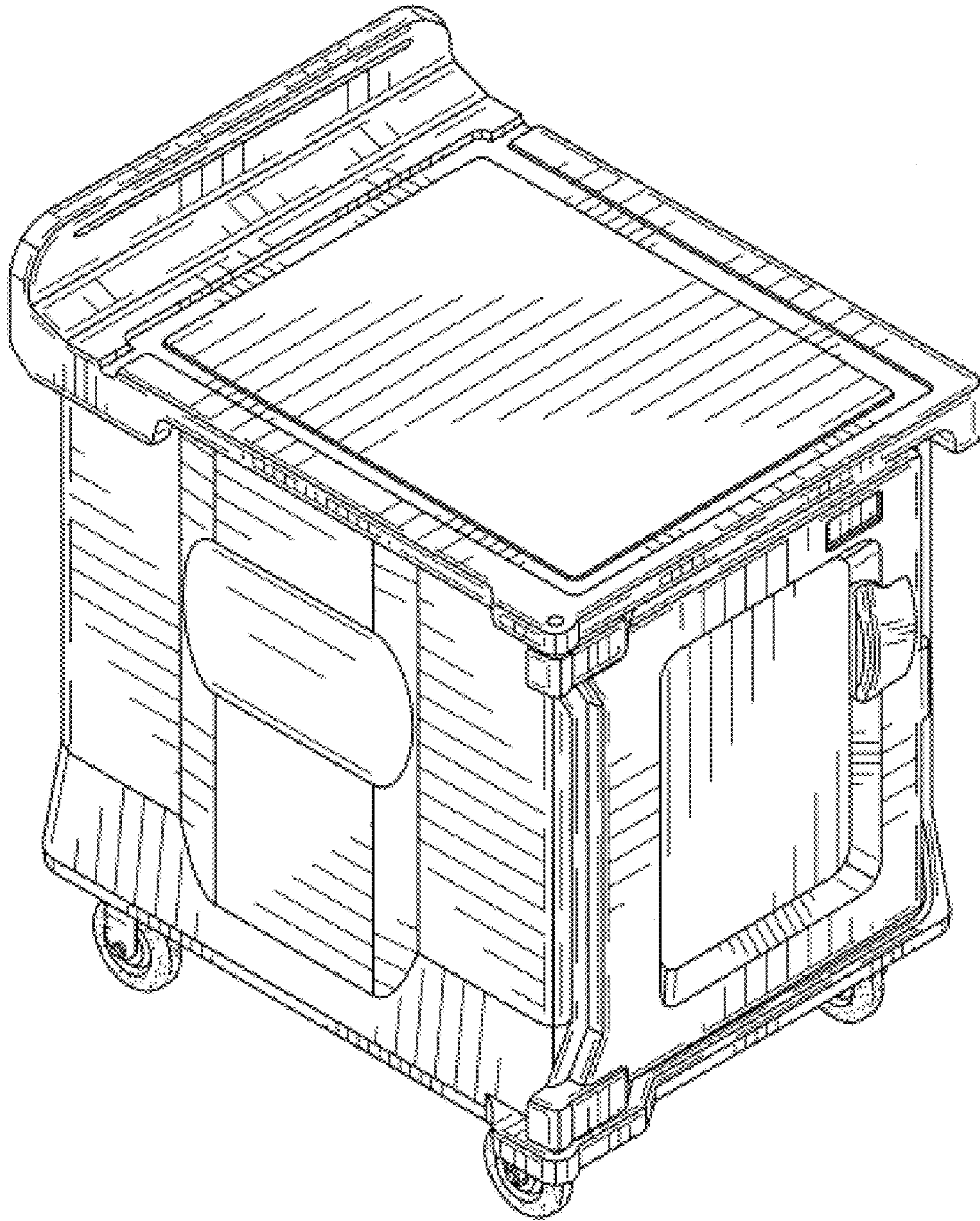


FIG. 1

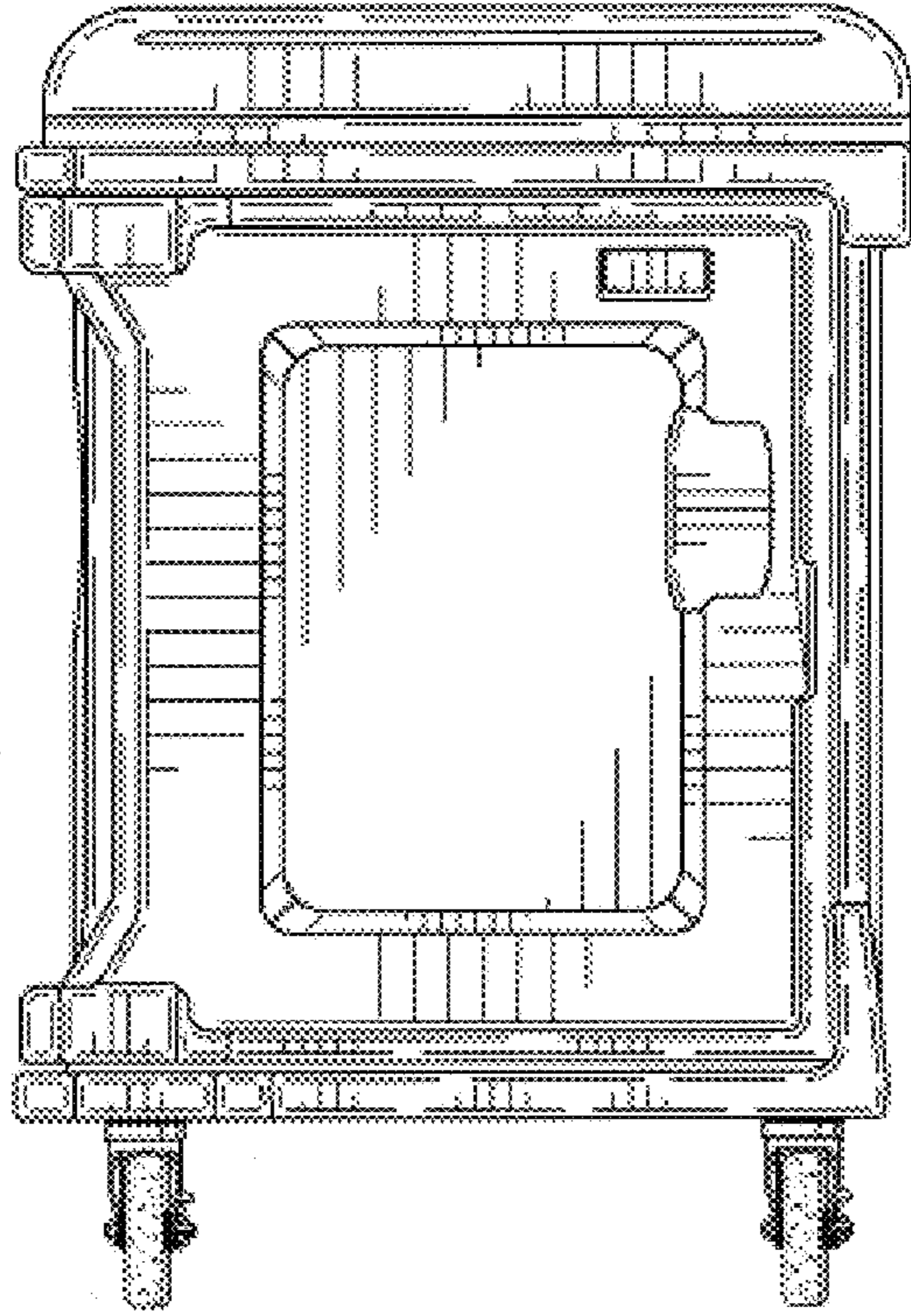


FIG. 2

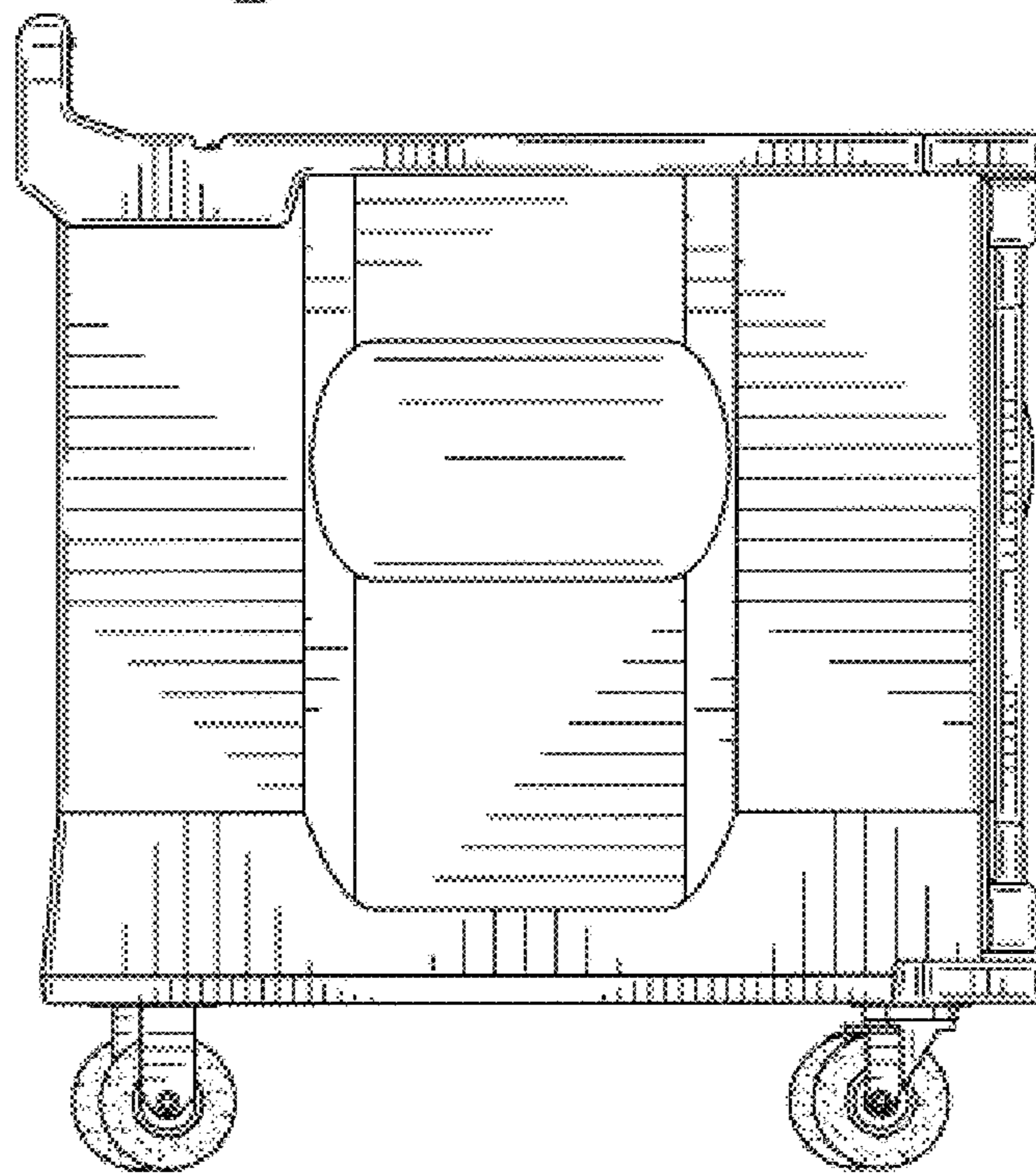


FIG. 3

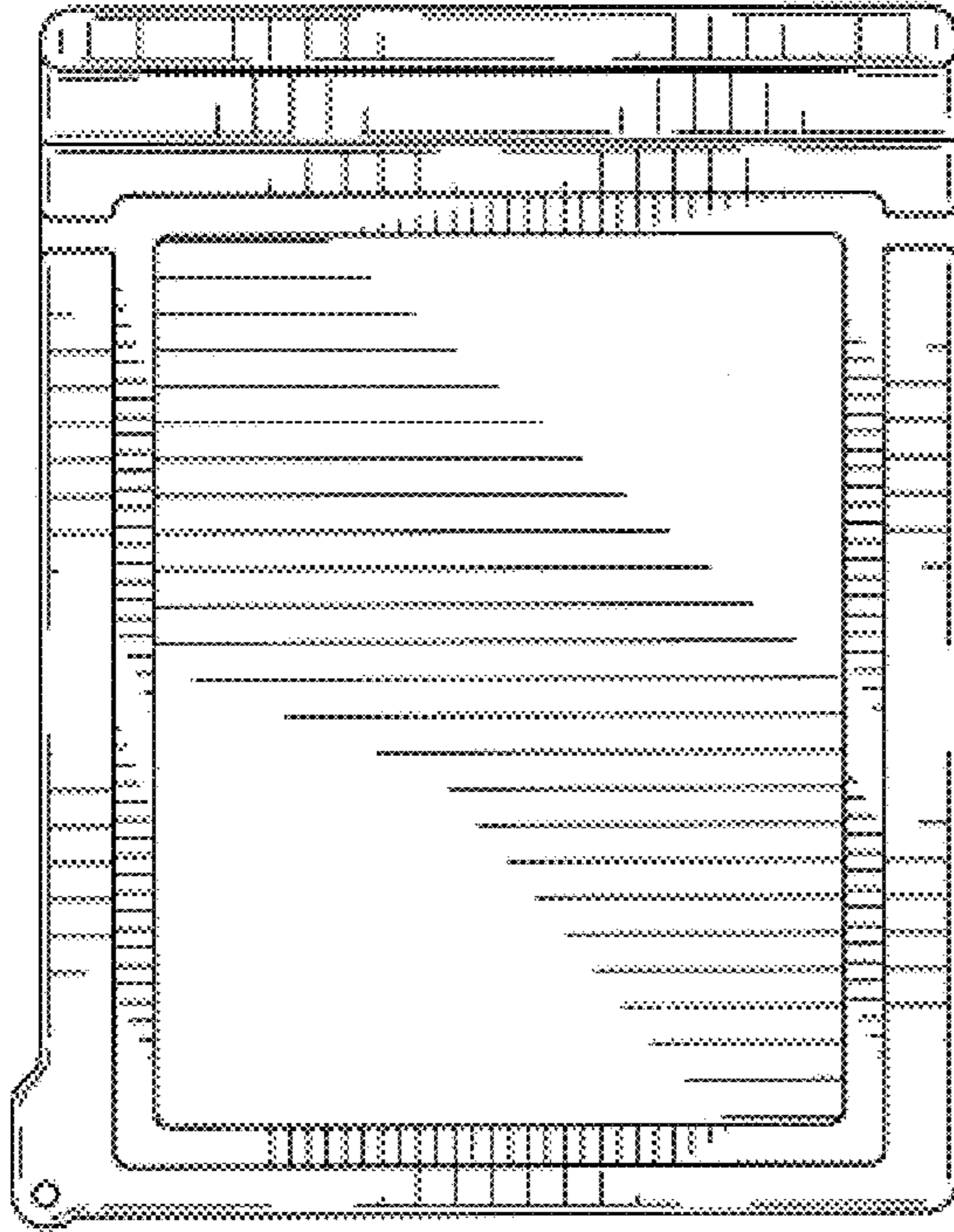
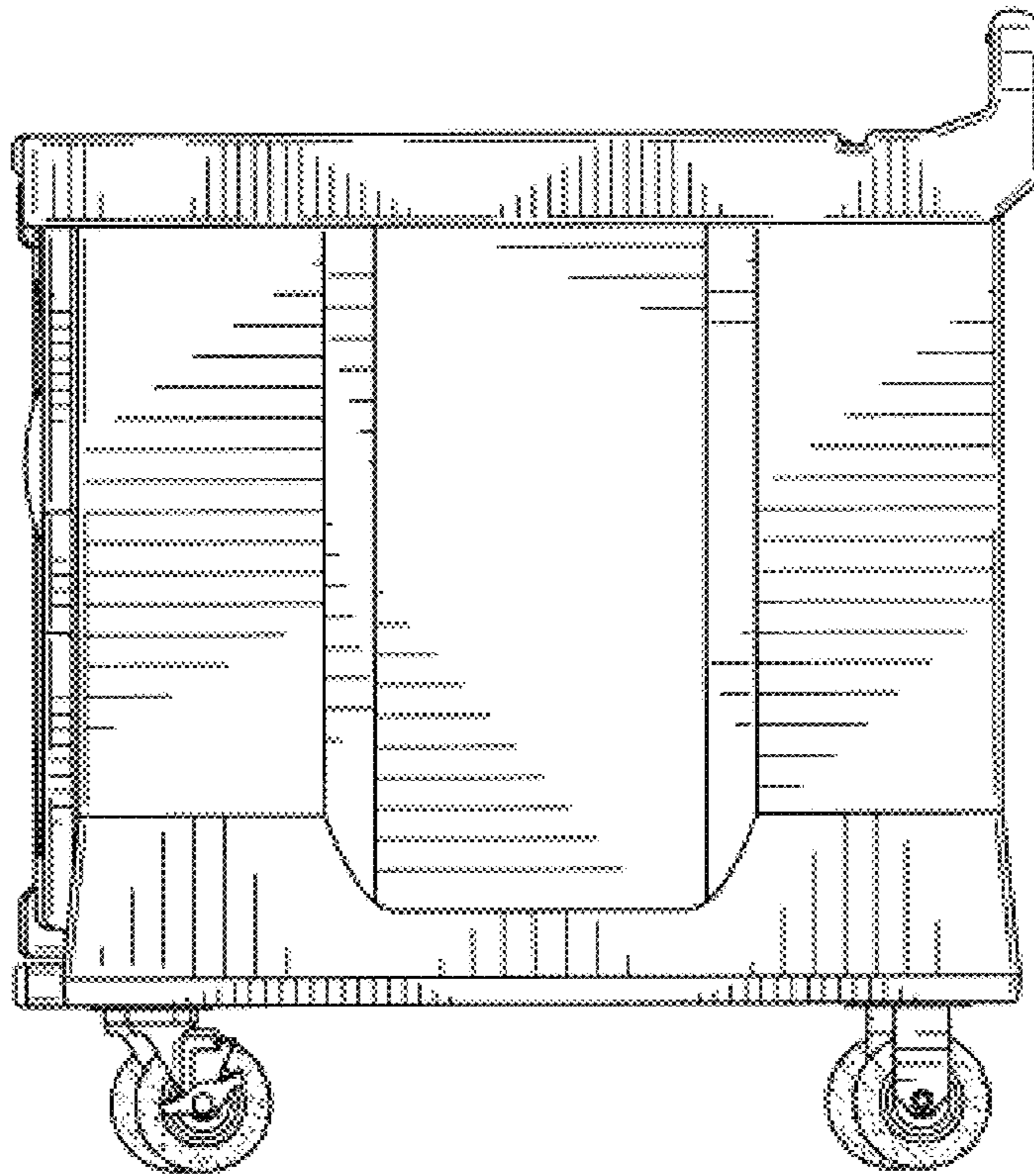


FIG. 4

FIG. 5



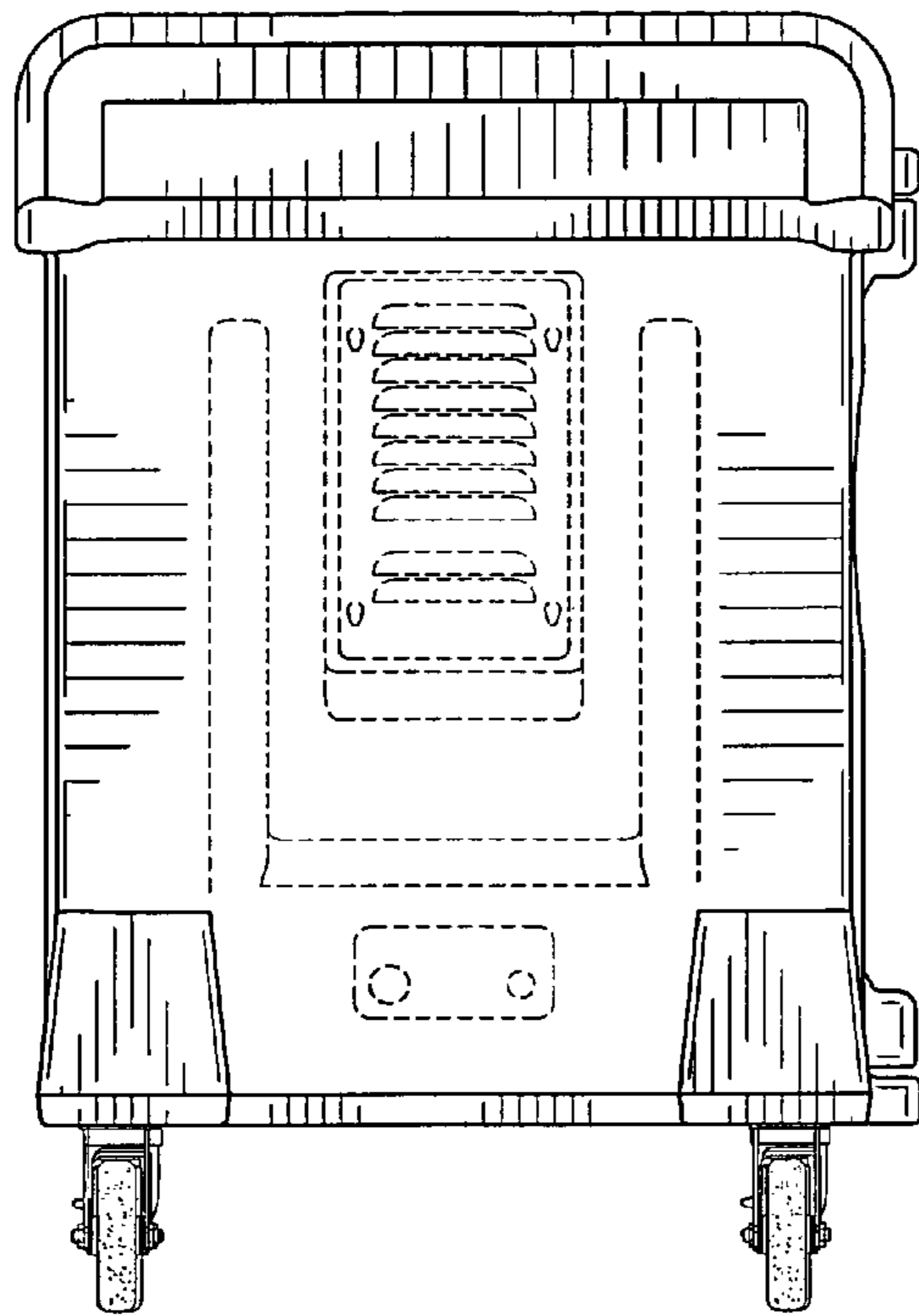


FIG. 6

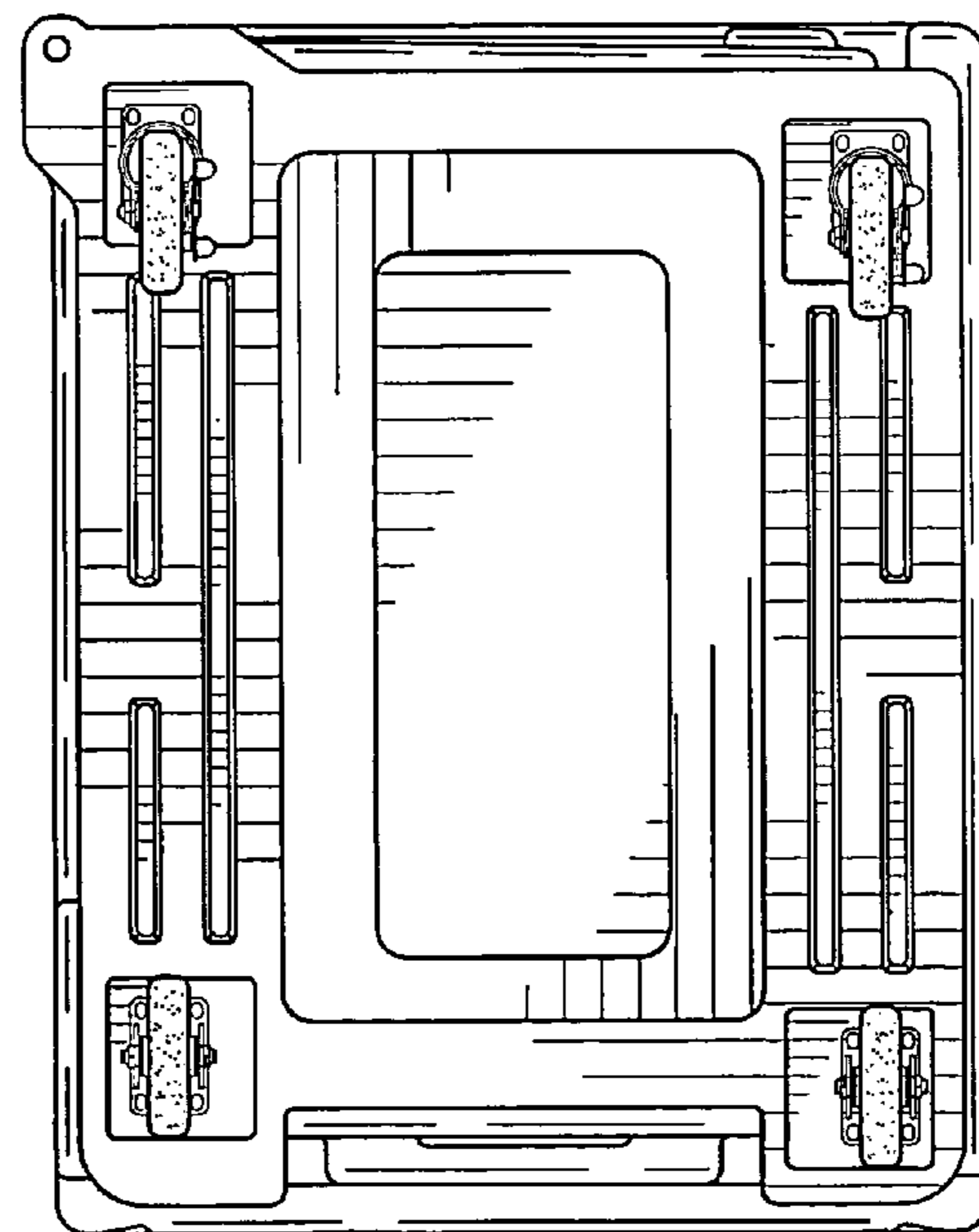


FIG. 7

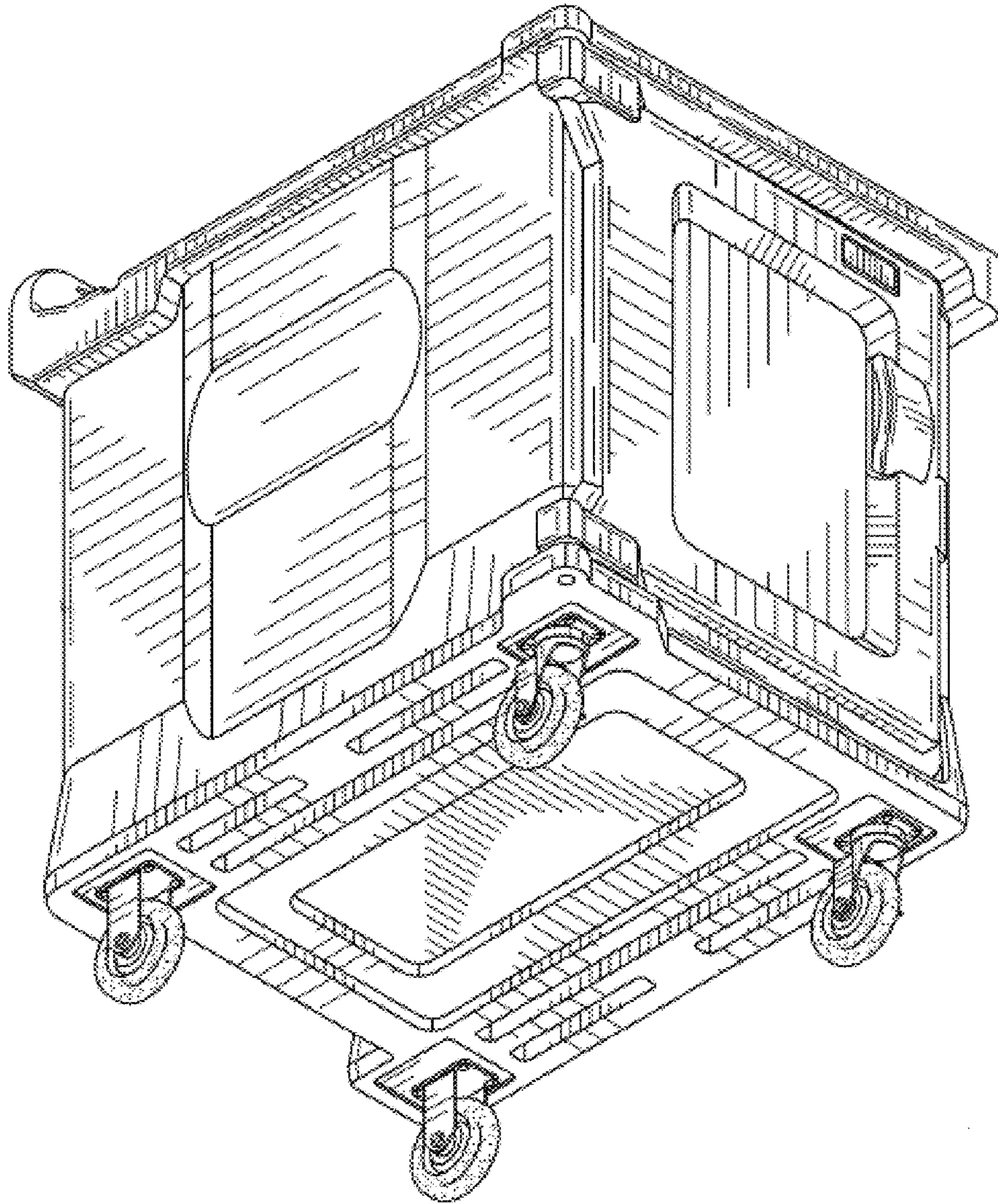


FIG. 8