



US00D723236S

(12) **United States Design Patent**
Khaitan

(10) **Patent No.:** **US D723,236 S**

(45) **Date of Patent:** **** Feb. 24, 2015**

(54) **DISH RACK WITH UTENSIL HOLDER**

(71) Applicant: **Anurag Khaitan**, Los Angeles, CA (US)

(72) Inventor: **Anurag Khaitan**, Los Angeles, CA (US)

(**) Term: **14 Years**

(21) Appl. No.: **29/500,823**

(22) Filed: **Aug. 28, 2014**

(51) **LOC (10) Cl.** **07-05**

(52) **U.S. Cl.**
USPC **D32/55**

(58) **Field of Classification Search**
USPC D32/55, 276, 3; D6/510, 525; D30/133;
211/41.5, 41.4, 41.3, 41.8; 361/679.4;
312/311, 333, 334.4; D7/354, 629
See application file for complete search history.

(56) **References Cited**

U.S. PATENT DOCUMENTS

D538,496 S *	3/2007	Plikuhn	D32/55
D554,318 S *	10/2007	Yang et al.	D32/55
D554,818 S *	11/2007	Murray	D32/55
D554,819 S *	11/2007	Shah	D32/55
D555,310 S *	11/2007	Yang et al.	D32/55
D555,311 S *	11/2007	Yang et al.	D32/55
D581,619 S *	11/2008	Yang et al.	D32/55
D599,068 S *	8/2009	Yang et al.	D32/55
D647,678 S *	10/2011	Yang et al.	D32/55
D690,069 S *	9/2013	Sofy et al.	D32/55

D693,081 S *	11/2013	Yang et al.	D32/55
D699,413 S *	2/2014	Huang	D32/55
D706,510 S *	6/2014	Lerner	D32/55
2005/0167374 A1 *	8/2005	Yang et al.	211/41.18
2008/0116155 A1 *	5/2008	Yang et al.	211/41.3

* cited by examiner

Primary Examiner — Austin Murphy

(74) *Attorney, Agent, or Firm* — Trojan Law Offices

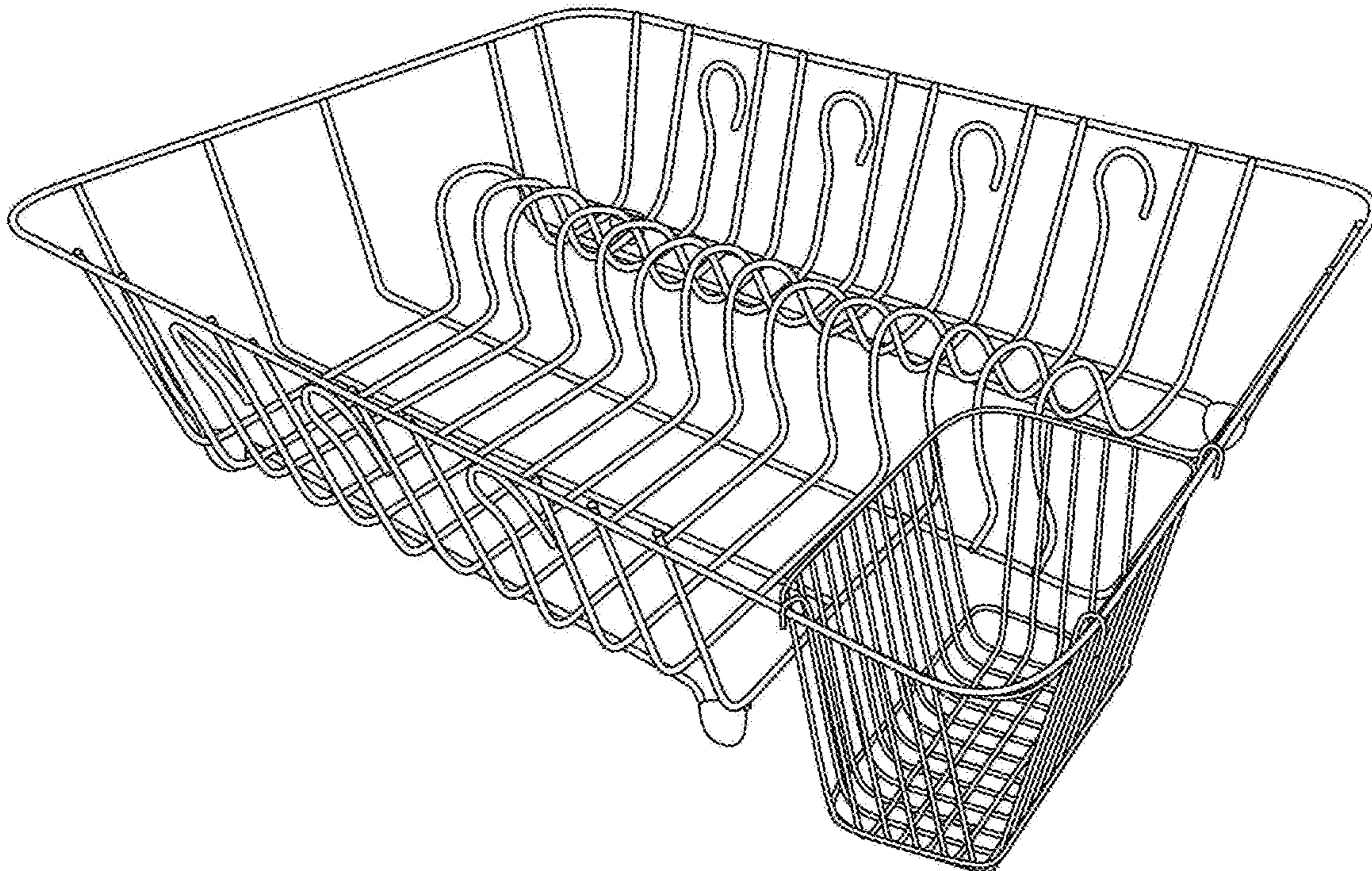
(57) **CLAIM**

The ornamental design for a dish rack with utensil holder, as shown and described.

DESCRIPTION

FIG. 1 is a perspective view of a dish rack with utensil holder, showing my new design;
 FIG. 2 is a top view of the dish rack with utensil holder shown in FIG. 1;
 FIG. 3 is a bottom view of the dish rack with utensil holder shown in FIG. 1;
 FIG. 4 is a left side view of the dish rack with utensil holder shown in FIG. 1;
 FIG. 5 is a right side view of the dish rack with utensil holder shown in FIG. 1;
 FIG. 6 is a front view of the dish rack with utensil holder shown in FIG. 1; and,
 FIG. 7 is a rear view of the dish rack with utensil holder shown in FIG. 1.

1 Claim, 4 Drawing Sheets



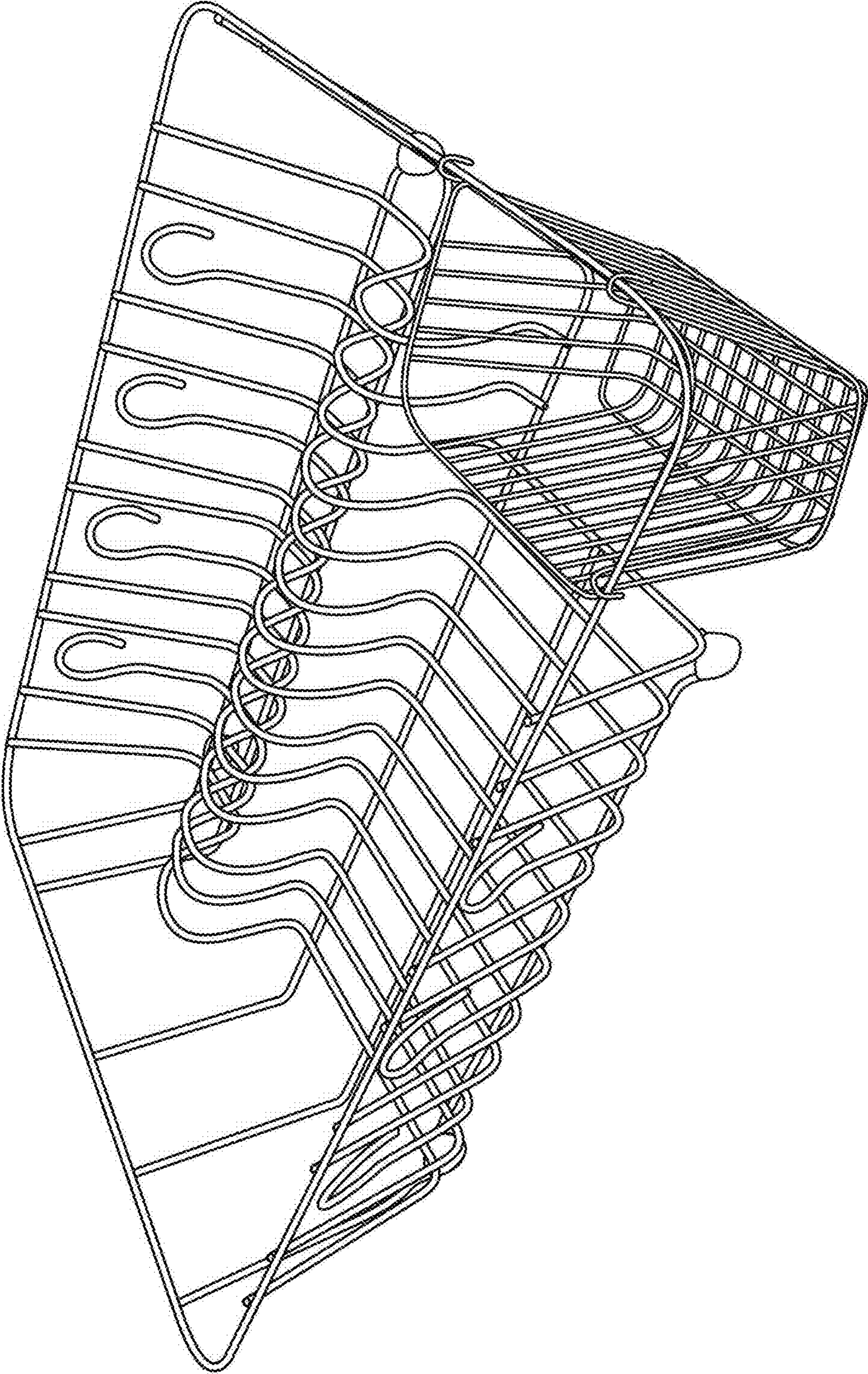


Fig. 1

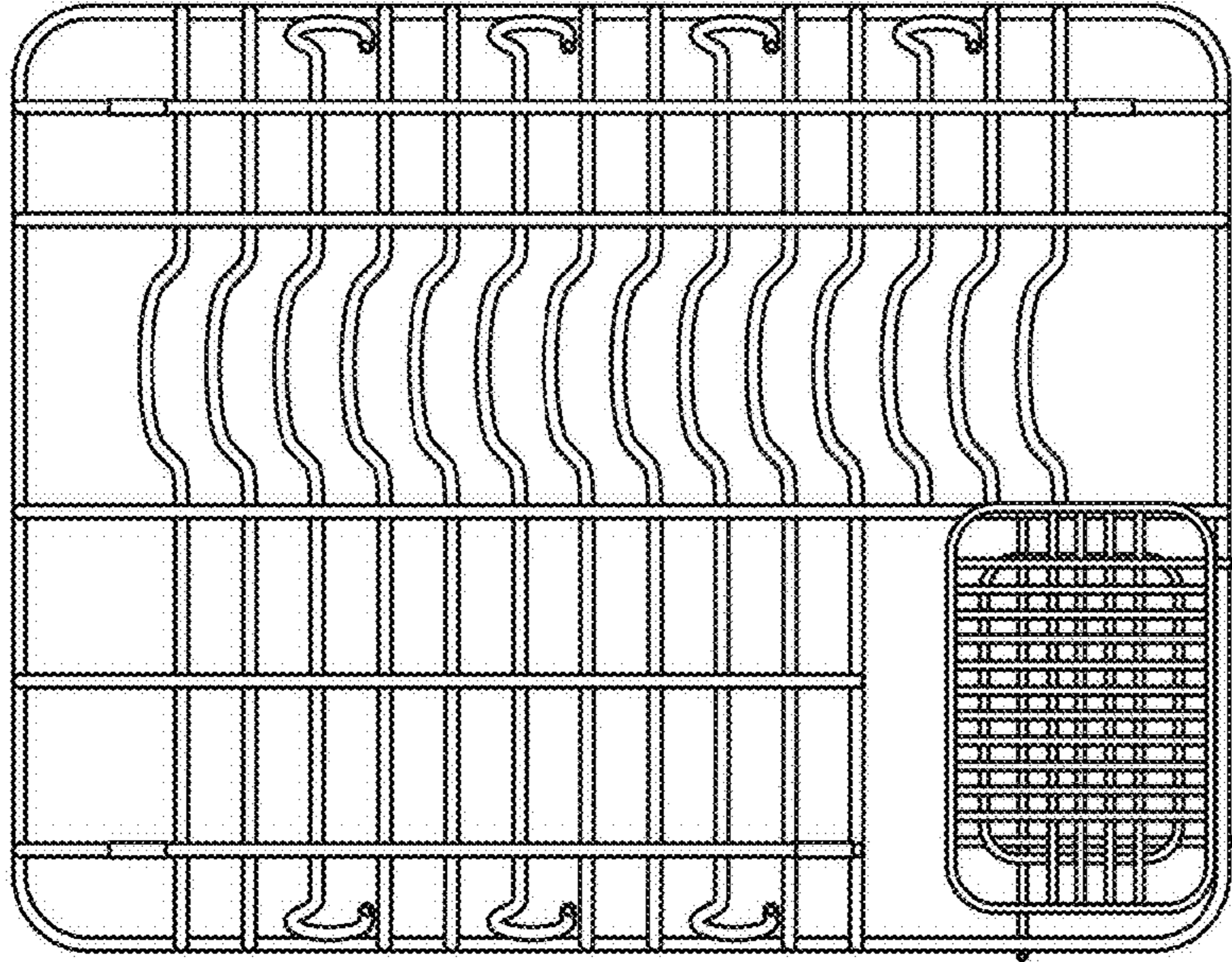


Fig. 3

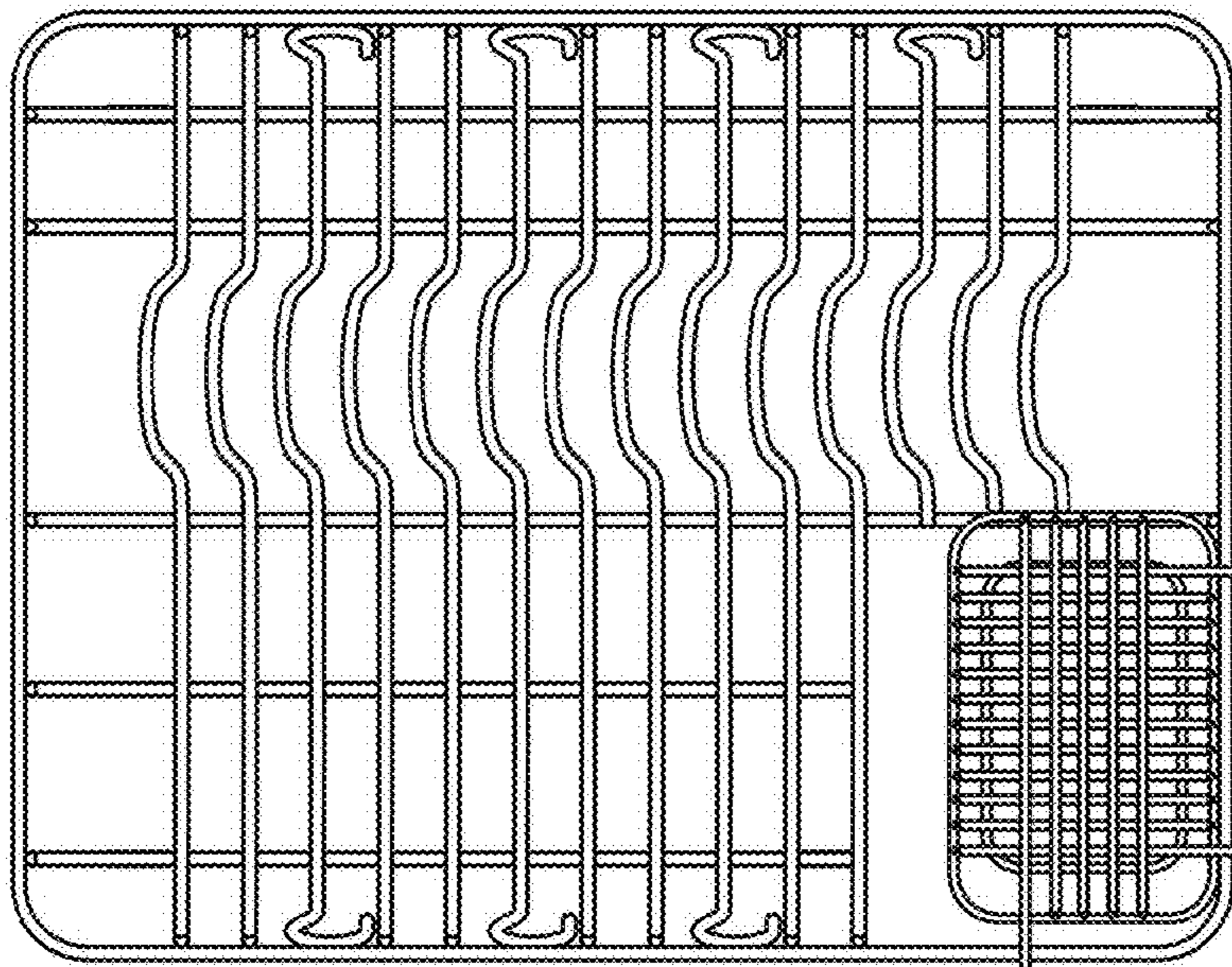


Fig. 2

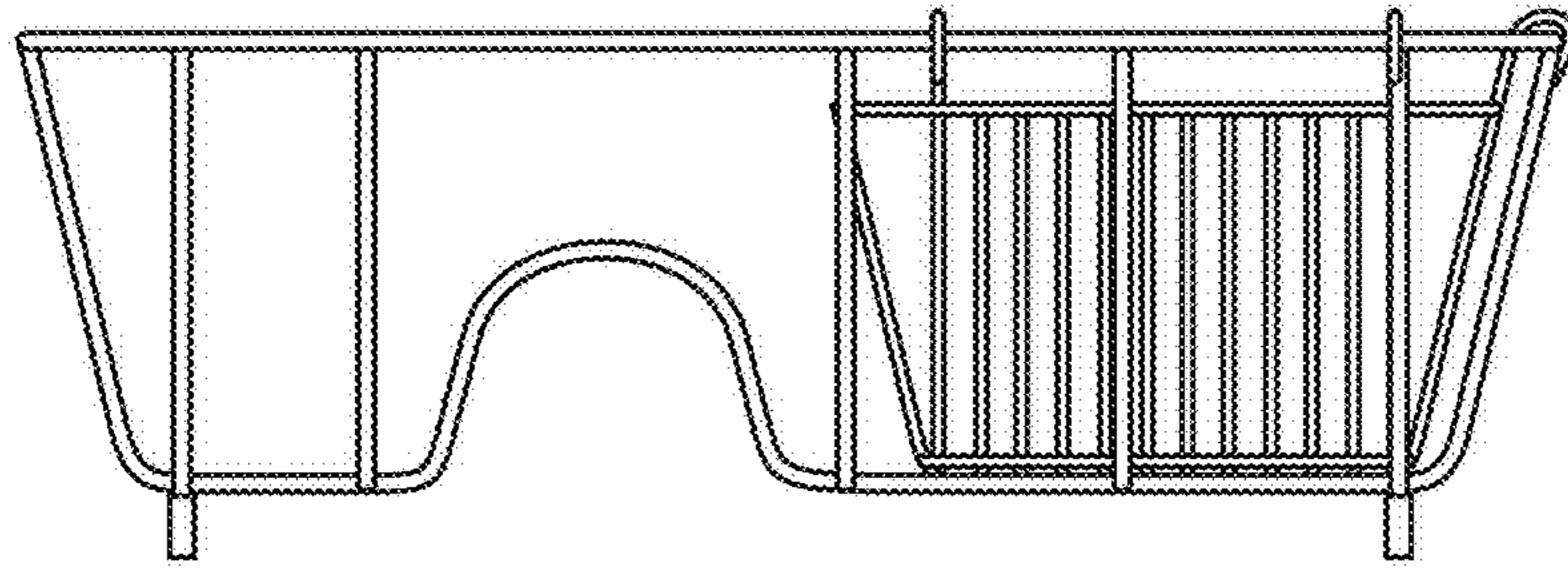


Fig. 4

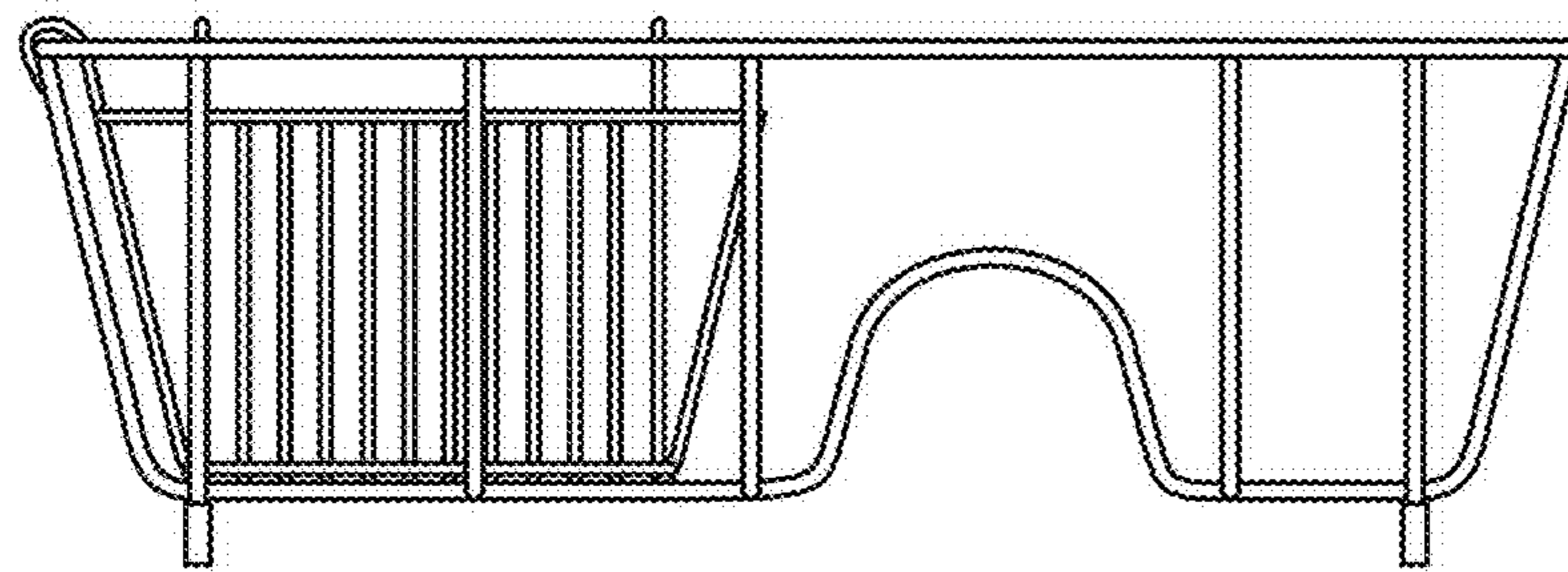


Fig. 5

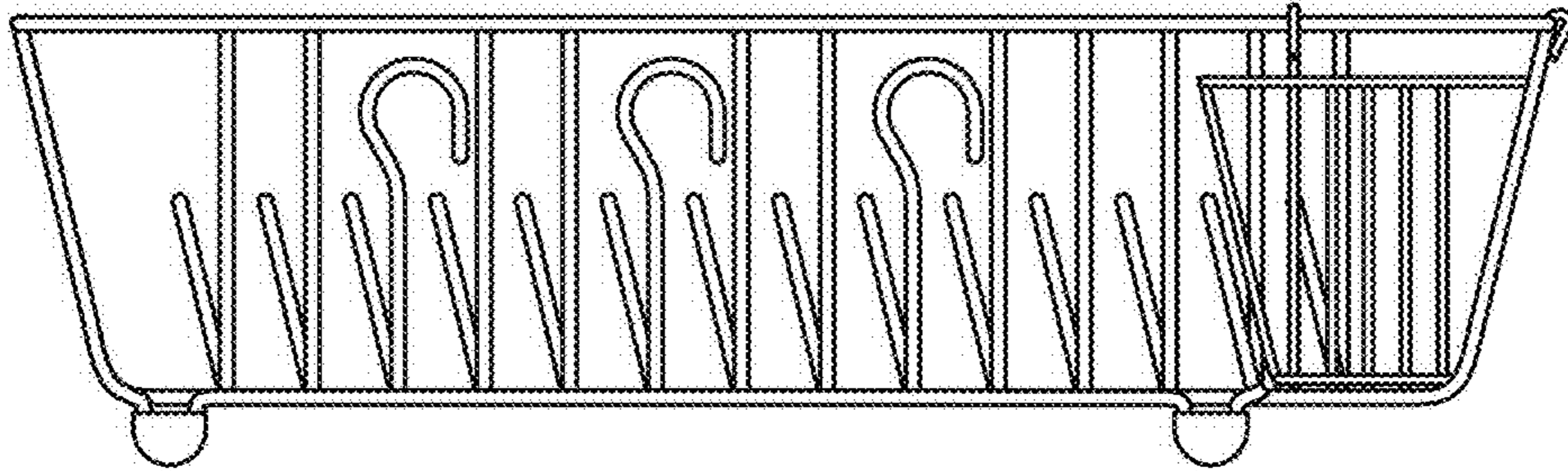


Fig. 6

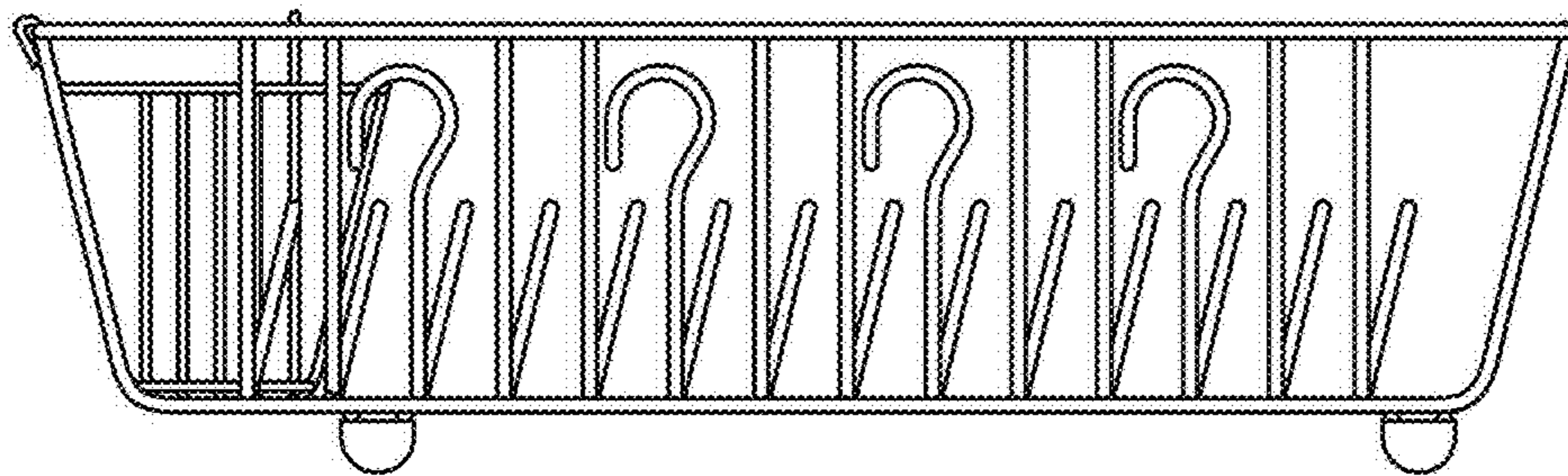


Fig. 7