



US00D723235S

(12) **United States Design Patent**
Bergman et al.

(10) **Patent No.:** **US D723,235 S**
(45) **Date of Patent:** **** Feb. 24, 2015**

- (54) **PAINT ROLLER GRID**
- (71) Applicant: **Bercom International, LLC**,
Chanhasen, MN (US)
- (72) Inventors: **Mark W. Bergman**, Minnetonka, MN
(US); **Jeffrey T. Given**, St. Paul, MN
(US); **Matthew V. Leyden**, St. Paul, MN
(US); **Jeffrey B. Waffensmith**, North
Oaks, MN (US)

D607,170	S	12/2009	Bergman	
7,784,145	B1 *	8/2010	Prokop	15/257.06
D643,982	S	8/2011	Franklin	
7,992,250	B2	8/2011	Prokop	
8,123,066	B2	2/2012	Chafe	
D673,339	S	12/2012	Bergman	
D678,638	S	3/2013	Bergman	
2006/0064843	A1	3/2006	Cornelissen	

(Continued)

- (73) Assignee: **Bercom International, LLC**,
Chanhasen, MN (US)

EP 2251210 11/2010

FOREIGN PATENT DOCUMENTS

(**) Term: **14 Years**

(21) Appl. No.: **29/473,288**

OTHER PUBLICATIONS

“Paint grid images,” from google images internet searches accessed before Sep. 18, 2013, 5 pages.

(Continued)

(22) Filed: **Nov. 20, 2013**

(51) **LOC (10) Cl.** **07-07**

Primary Examiner — Robin V Webster

(52) **U.S. Cl.**
USPC **D32/53.1**

(74) *Attorney, Agent, or Firm* — James L. Young; Westman,
Champlin & Koehler, P.A.

(58) **Field of Classification Search**
CPC B05C 21/00; A47L 13/56
USPC D32/53, 53.1, 54; 15/257.05, 257.06,
15/262; 220/570, 495.02
See application file for complete search history.

(57) **CLAIM**
The ornamental design for a paint roller grid, as shown and described.

DESCRIPTION

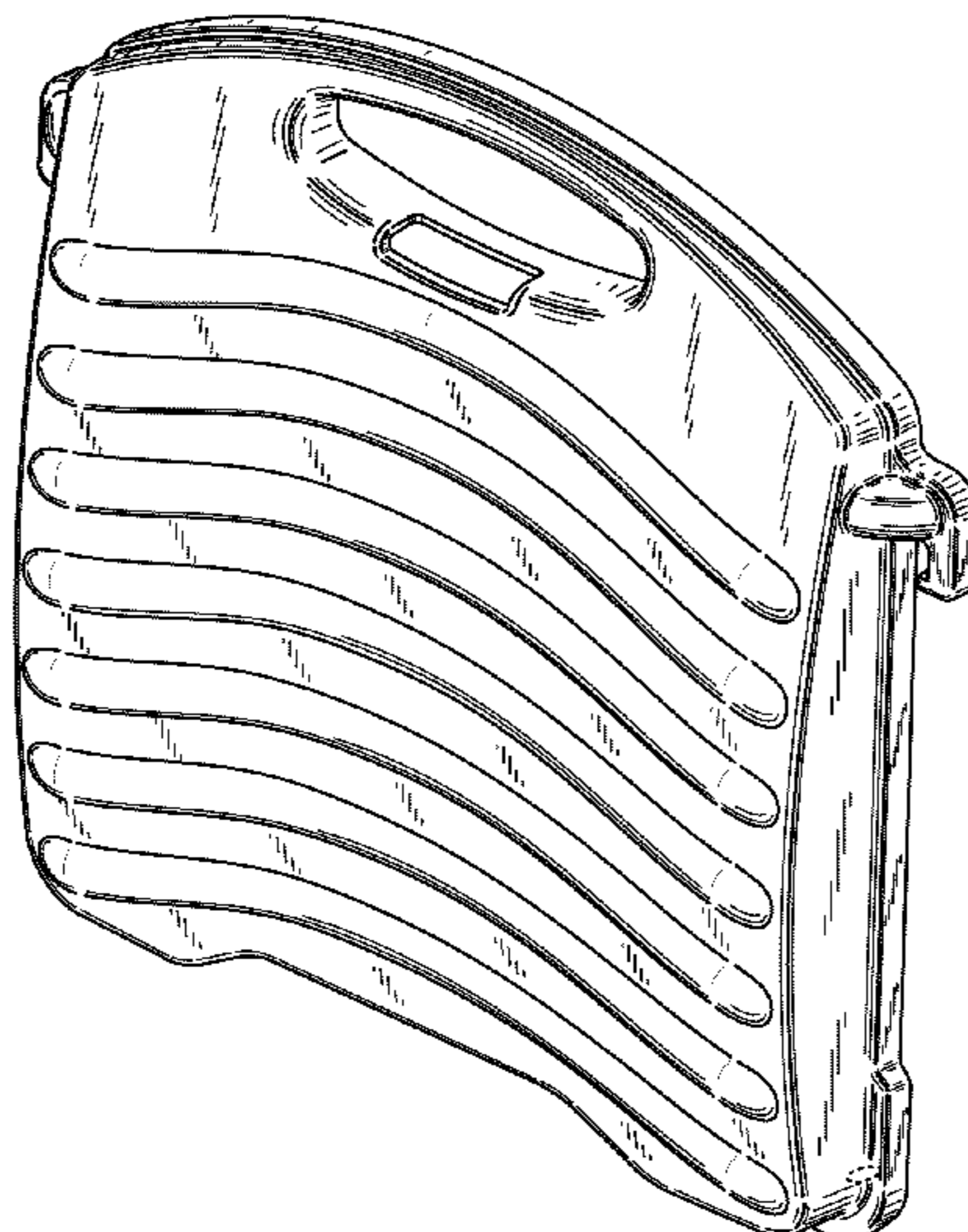
(56) **References Cited**

U.S. PATENT DOCUMENTS

D264,147	S *	5/1982	Heath	D32/54
5,283,928	A	2/1994	Linn et al.	
5,472,111	A	12/1995	Renfrew	
6,260,730	B1	7/2001	Fellman	
7,036,182	B2 *	5/2006	Bukovitz et al.	15/257.06
7,137,168	B2 *	11/2006	Mann	15/257.06
D535,794	S *	1/2007	Lundy et al.	D32/53.1
D549,913	S	8/2007	Bergman	
D581,118	S	11/2008	Bergman	
D604,490	S	11/2009	Bergman	

FIG. 1 is an isometric view of a paint roller grid;
FIG. 2 is a front elevational view of the grid of FIG. 1;
FIG. 3 is a rear elevational view thereof of the grid of FIG. 1;
FIG. 4 is a side view of the grid of FIG. 1 (as taken from the left of FIG. 2);
FIG. 5 is a side view of the grid of FIG. 1 (as taken from the right of FIG. 2);
FIG. 6 is a top view of the grid of FIG. 1; and,
FIG. 7 is a bottom view of the grid of FIG. 1.

1 Claim, 4 Drawing Sheets



(56)

References Cited

U.S. PATENT DOCUMENTS

2006/0226156 A1 10/2006 Lundy
2010/0089931 A1 4/2010 Sheehy

OTHER PUBLICATIONS

“Paint roller screens” google images internet search accessed before Sep. 18, 2013, 5 pages.

“Paint roller grids” google images internet search accessed before Sep. 18, 2013, 1 page.

“Trays, Buckets, Screens & Liners,” on Sherwin Williams website accessed before Sep. 18, 2013, 3 pages.

“Contractor Series Mini Roller Gallon Plastic G Screen,” on Sherwin Williams website accessed before Sep. 18, 2013, 1 page.

“Heavy Duty Metal 5 Gallon Grid,” on Sherwin Williams website accessed before Sep. 18, 2013, 1 page.

“Economy Metal 5 Gallon Grid,” on Sherwin Williams website accessed before Sep. 18, 2013, 1 page.

“Quality Grid Makes Painting a Snap,” on Wooster Brush Company website accessed before Sep. 18, 2013, 1 page.

“Buckets and Grids,” on Wooster Brush Company on-line catalog accessed before Sep. 18, 2013, 2 pages.

“Buckets and Grids,” on Wooster Brush Company on-line catalog accessed before Sep. 18, 2013, 1 page.

“Wooster 10-½ in. Snap Screen,” on Home Depot website accessed before Sep. 18, 2013, 2 pages.

* cited by examiner

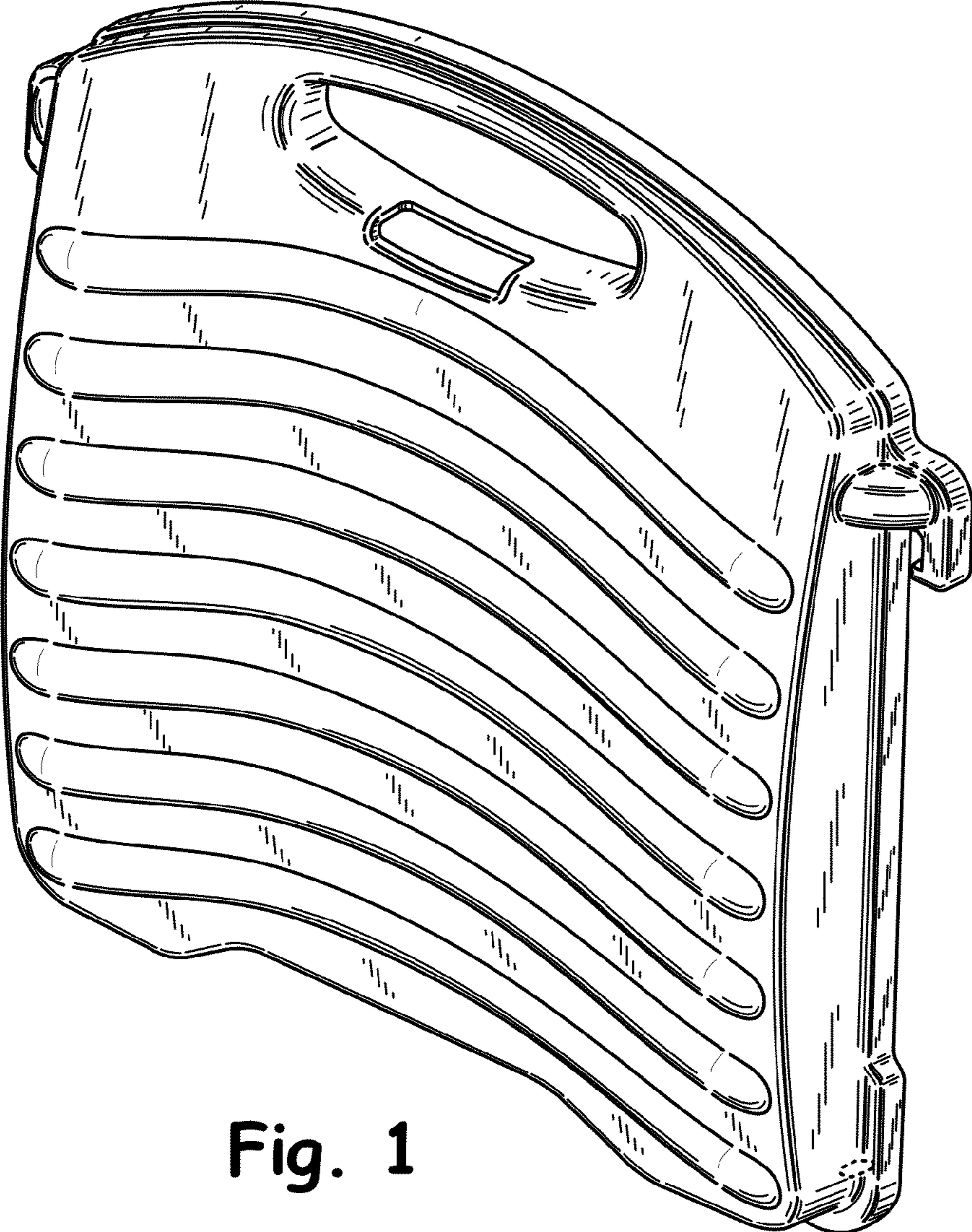


Fig. 1

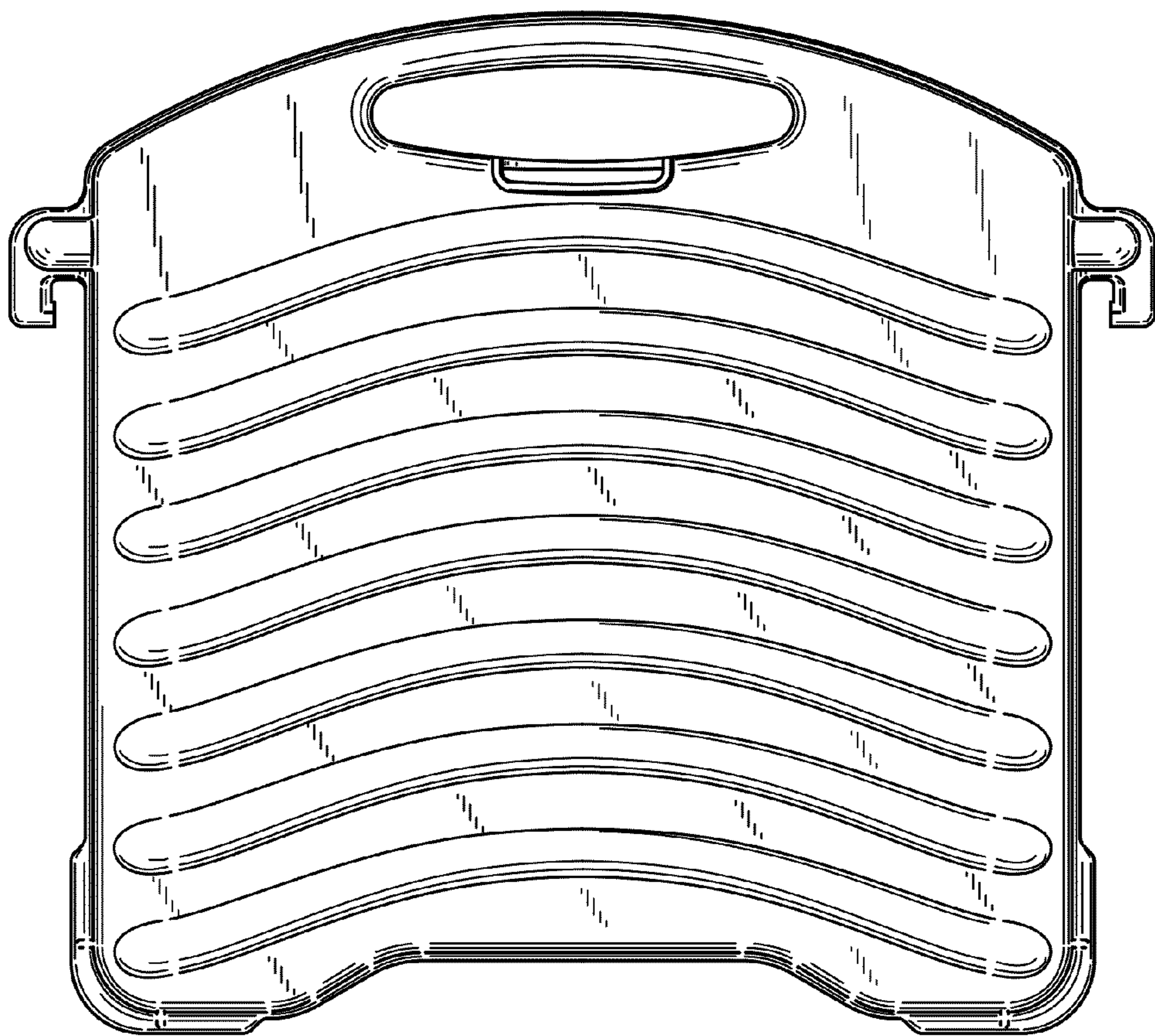


Fig. 2

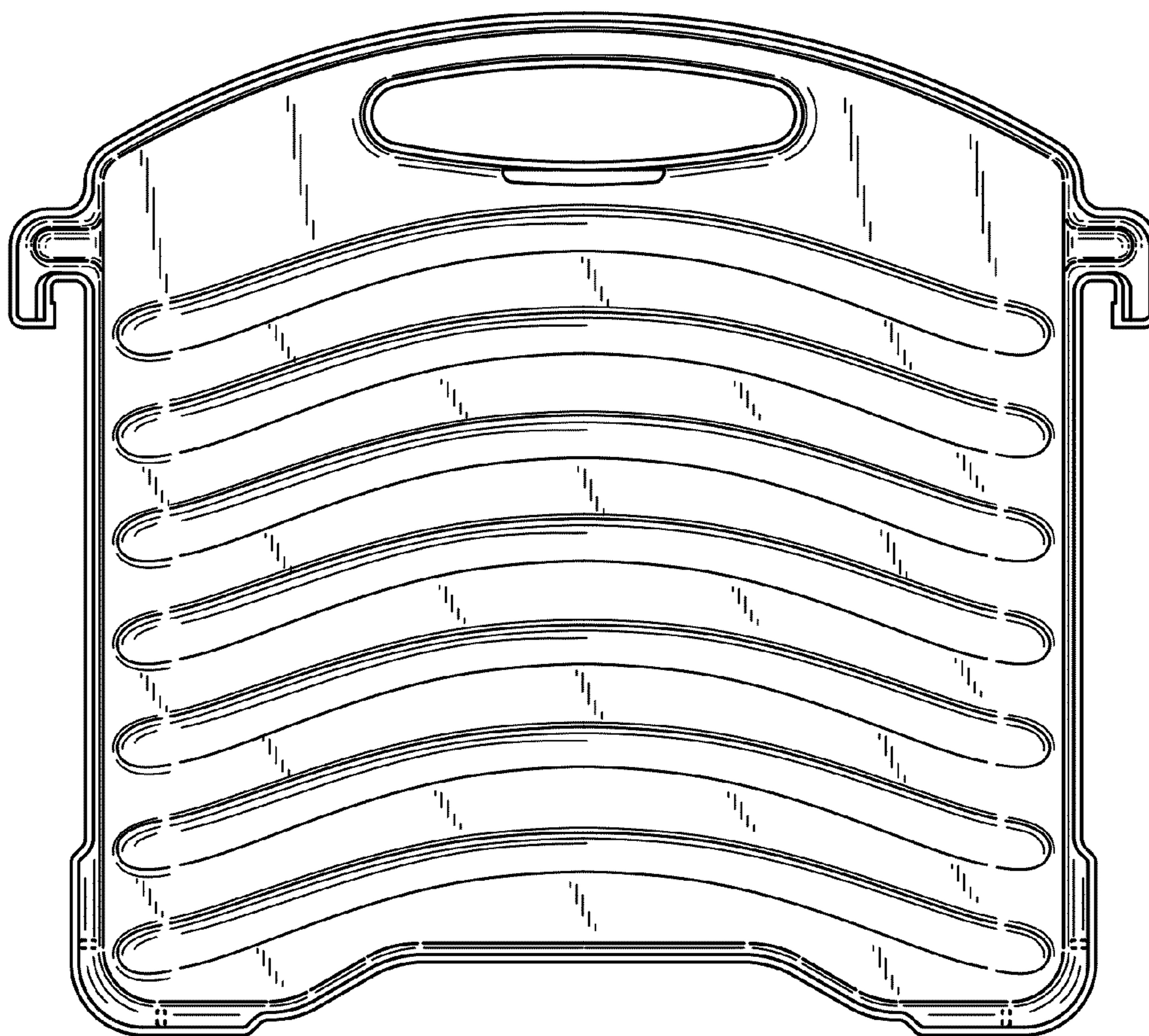


Fig. 3

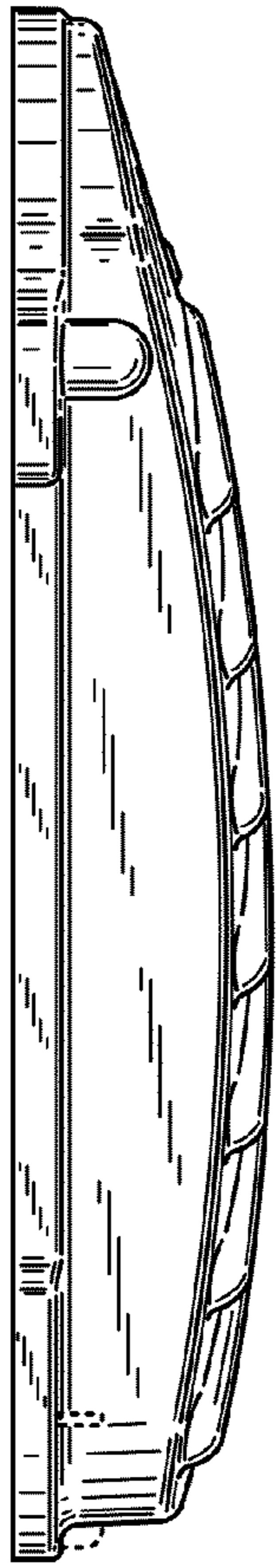


Fig. 4



Fig. 5

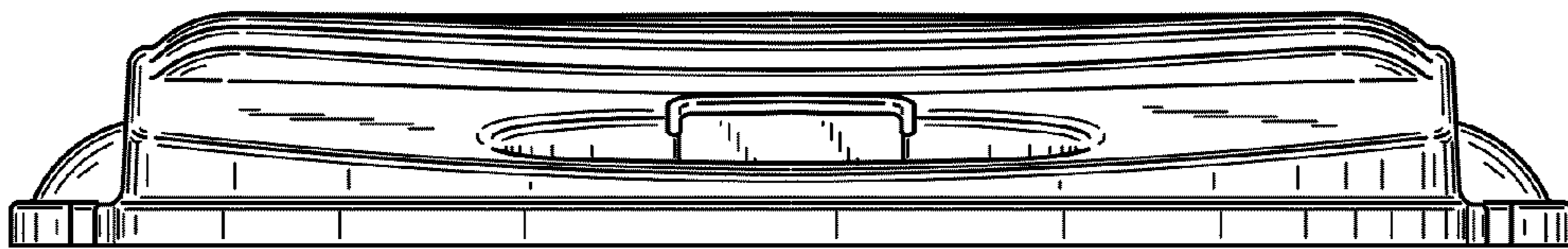


Fig. 6

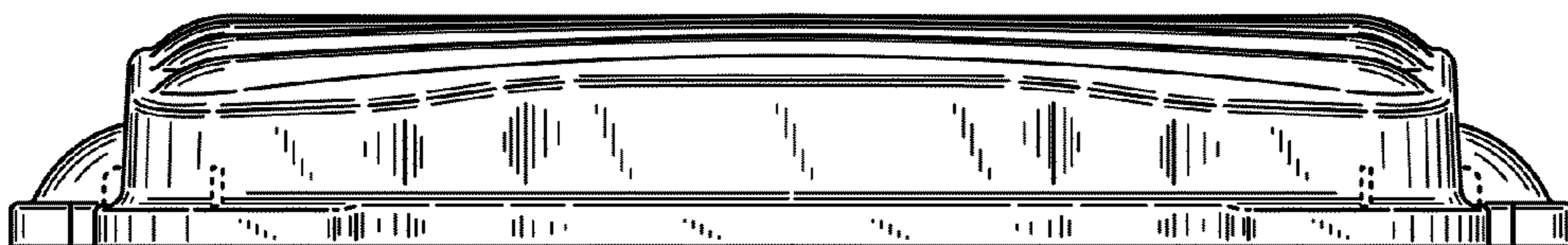


Fig. 7