



US00D723233S

(12) **United States Design Patent**
Gidwell et al.

(10) **Patent No.:** **US D723,233 S**

(45) **Date of Patent:** **** Feb. 24, 2015**

(54) **STICK MOP**

(56) **References Cited**

(71) Applicant: **Euro-Pro Operating LLC**, Newton,
MA (US)

(72) Inventors: **Christopher Gidwell**, Auburndale, MA
(US); **Gary Palladino**, Somerville, MA
(US); **William Scott Hughes**, Waltham,
MA (US)

(73) Assignee: **Euro-Pro Operating LLC**, Newton,
MA (US)

U.S. PATENT DOCUMENTS

4,044,419	A	*	8/1977	Robinson	15/119.2
D249,821	S	*	10/1978	Cooke et al.	D4/199
D250,245	S	*	11/1978	Bebb	D32/50
D294,415	S	*	2/1988	Jones	D32/44
D493,928	S	*	8/2004	Chemtob	D32/44
D597,269	S	*	7/2009	McNeil et al.	D32/45
D657,928	S	*	4/2012	Byrne	D32/50
D668,827	S	*	10/2012	Best et al.	D32/50
D673,748	S	*	1/2013	Snyder et al.	D32/50
D674,567	S	*	1/2013	Best et al.	D32/50
D681,899	S	*	5/2013	Bilger et al.	D32/50
D698,111	S	*	1/2014	Casini et al.	D32/50

* cited by examiner

(**) Term: **14 Years**

Primary Examiner — John Windmuller

(21) Appl. No.: **29/465,364**

(74) *Attorney, Agent, or Firm* — Yang IPCo, PLLC

(22) Filed: **Aug. 27, 2013**

(57) **CLAIM**

The ornamental design for a stick mop, as shown and described.

(51) **LOC (10) Cl.** **04-01**

DESCRIPTION

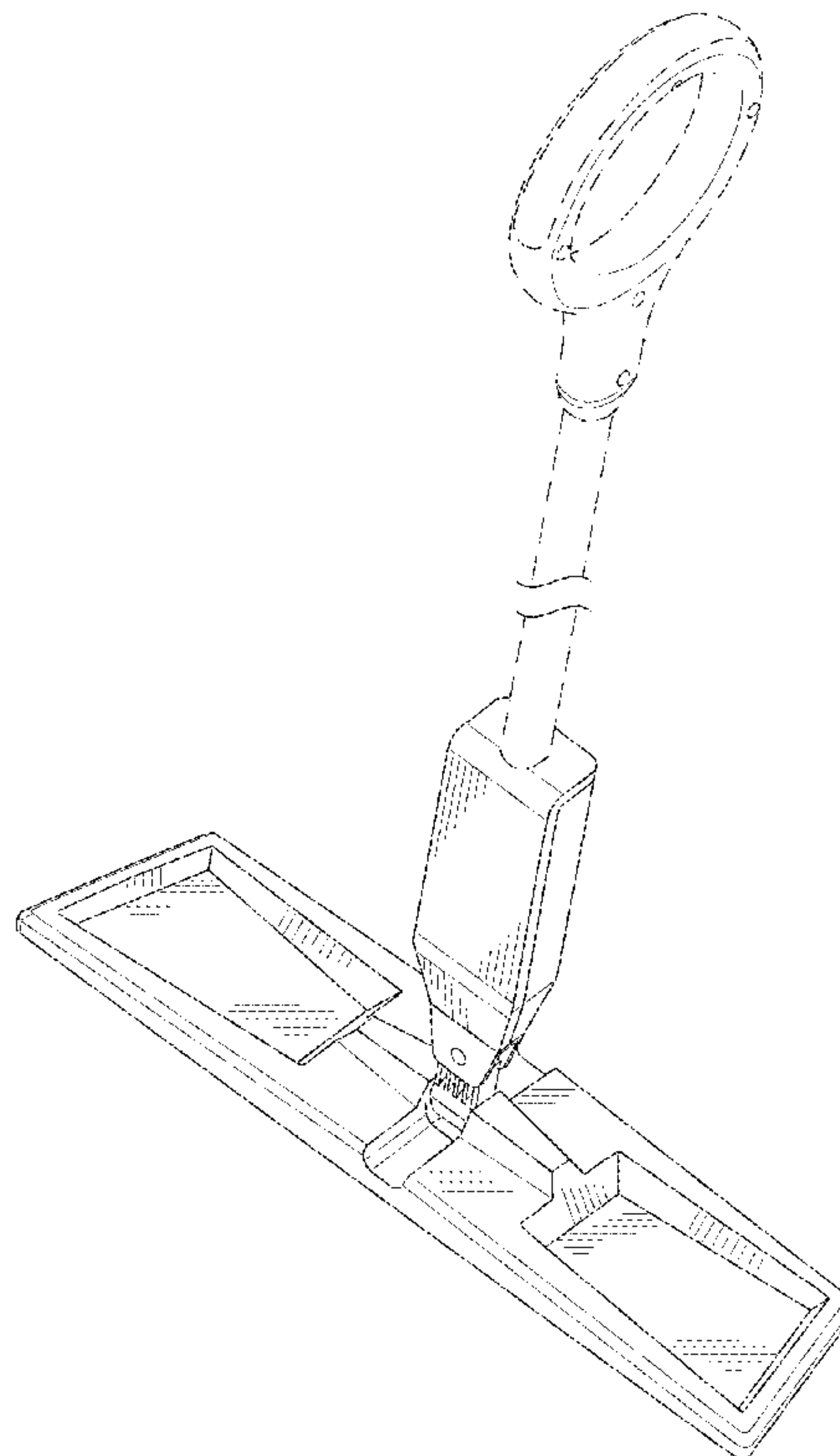
(52) **U.S. Cl.**
USPC **D32/50; D32/51**

(58) **Field of Classification Search**
USPC D32/40–45, 50–52; 15/118, 244.1,
15/244.2, 244.3, 244.4, 116.1, 116.2,
15/119.1, 119.2, 104.9, 228, 229.2, 229.4;
401/135–140

FIG. 1 is a perspective view of the stick mop of this invention;
FIG. 2 is a front view of the stick mop of this invention;
FIG. 3 is a left view of the stick mop of this invention;
FIG. 4 is a view of a rear side of the stick mop of this invention;
FIG. 5 is a view of a right side of the stick mop of this invention;
FIG. 6 is a top view of the stick mop of this invention; and,
FIG. 7 is a bottom view of the stick mop of this invention.

See application file for complete search history.

1 Claim, 4 Drawing Sheets



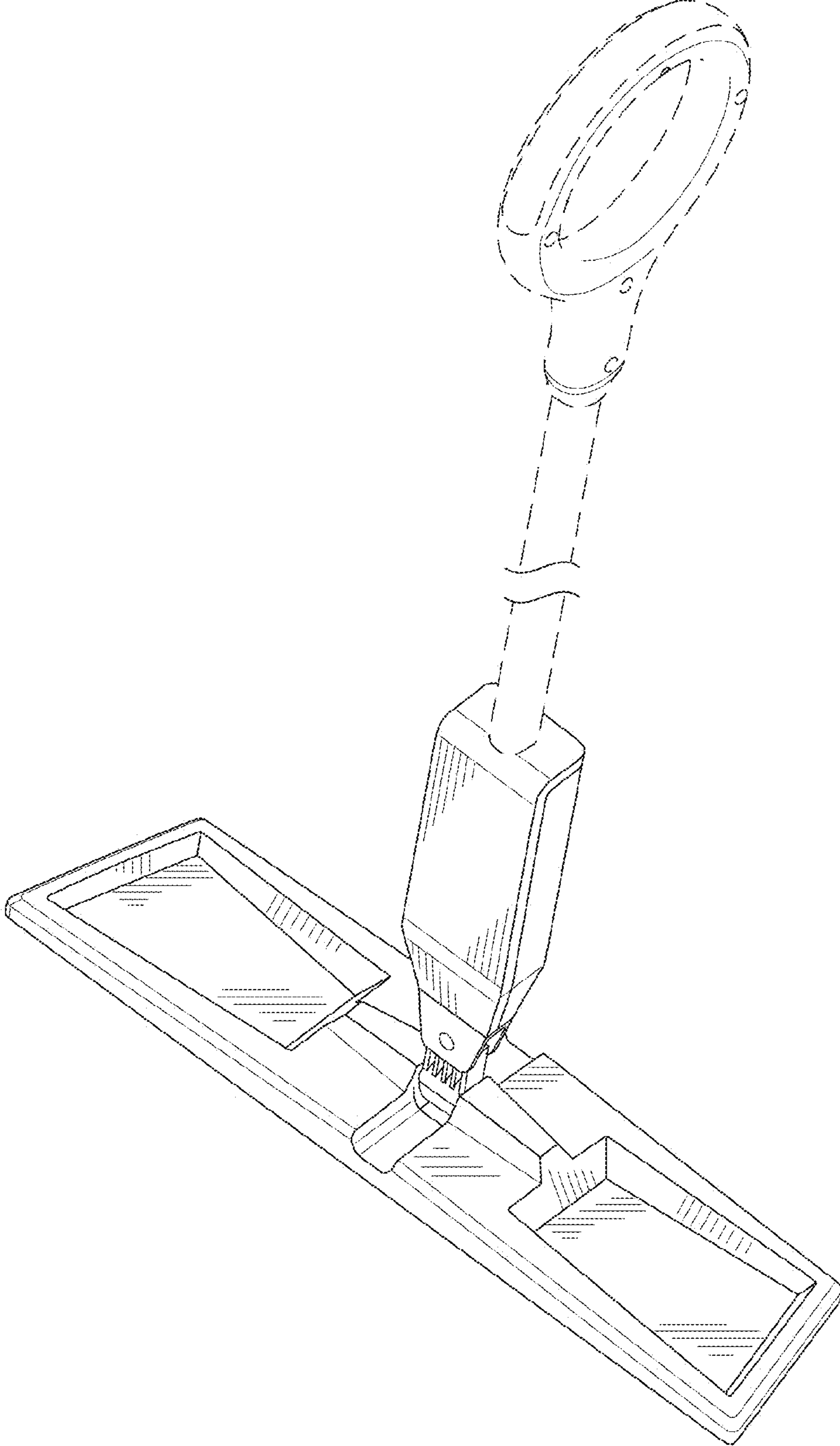


FIG. 1

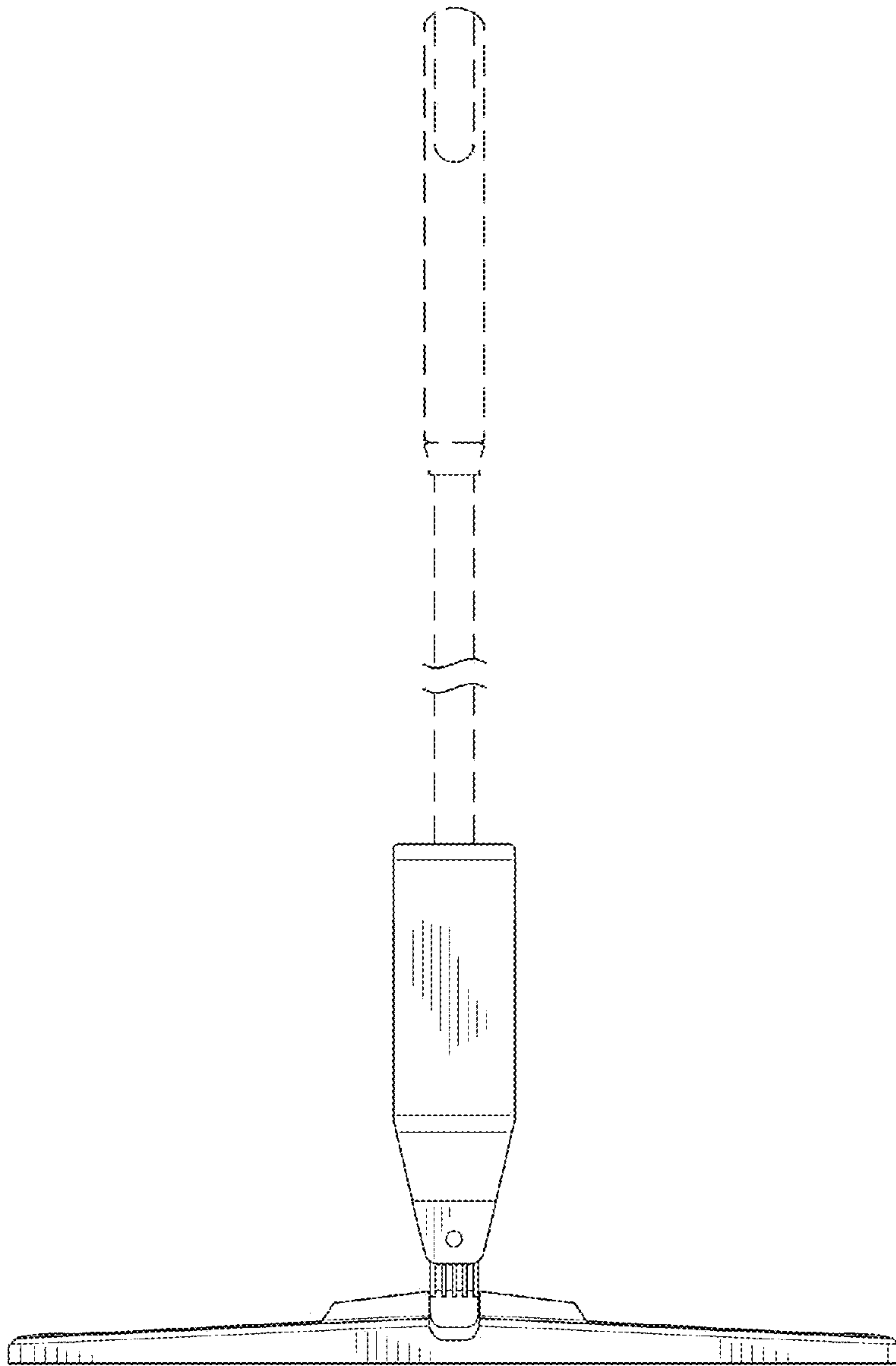


FIG. 2

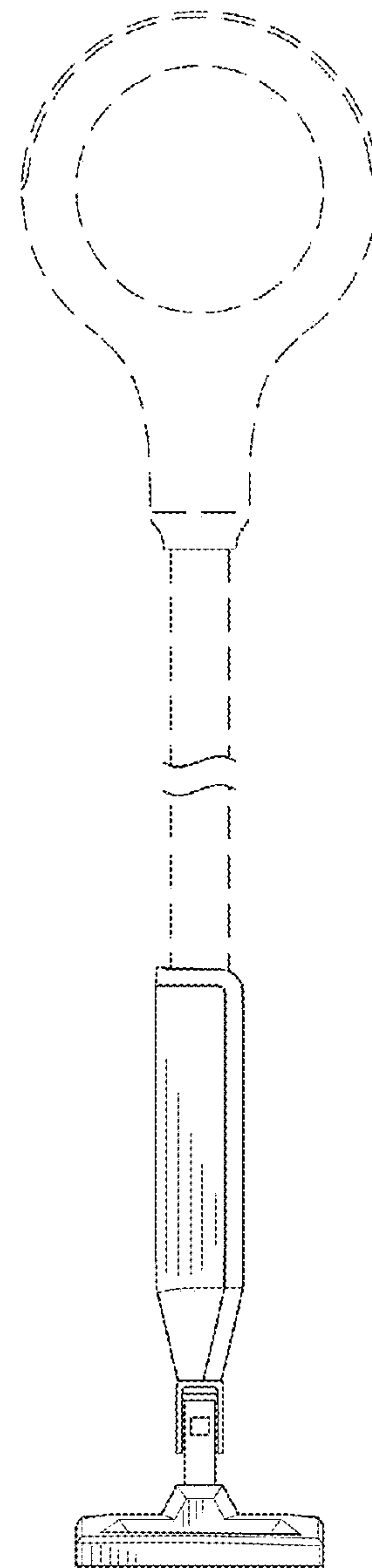


FIG. 3

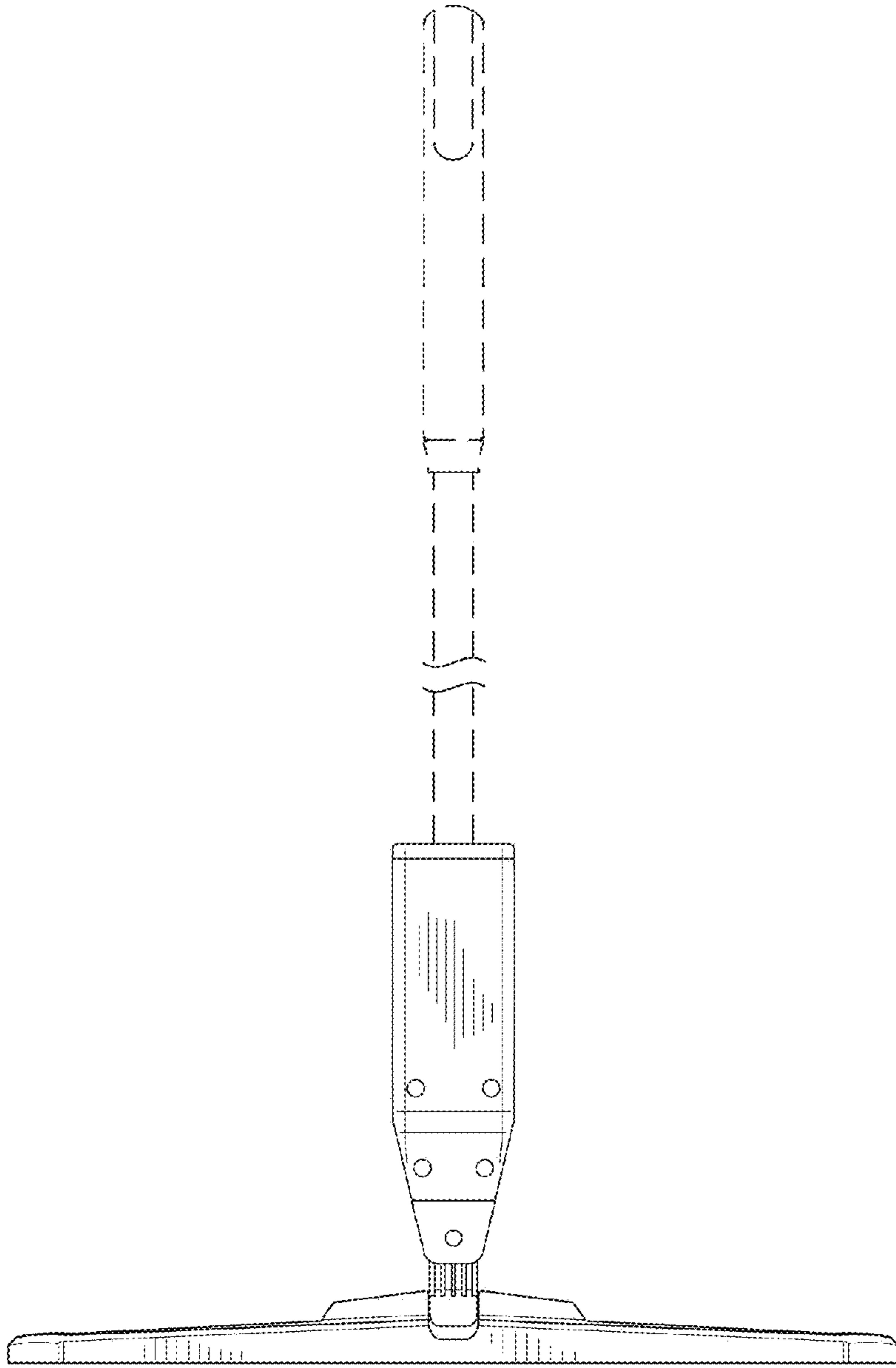


FIG. 4

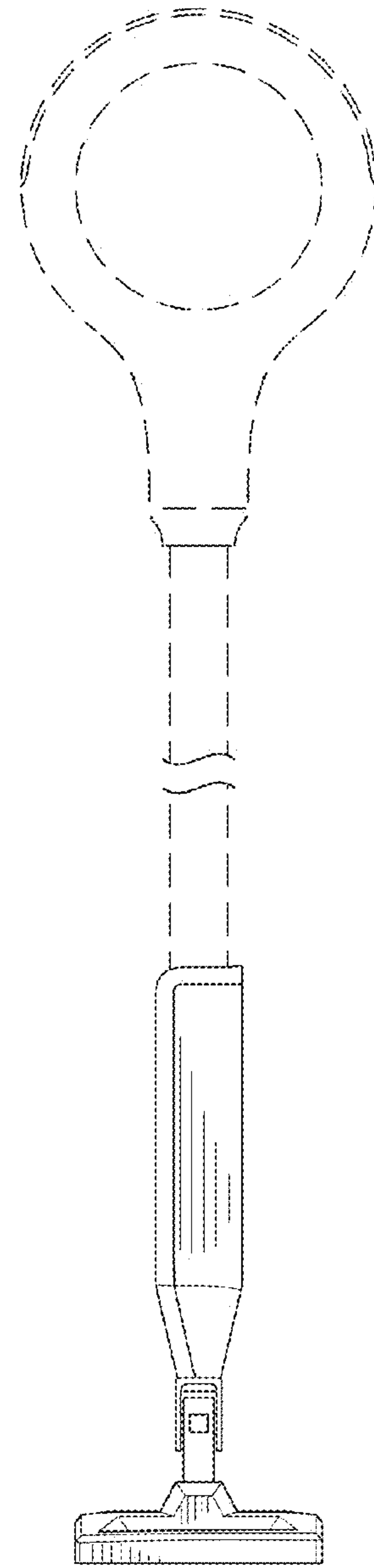


FIG. 5

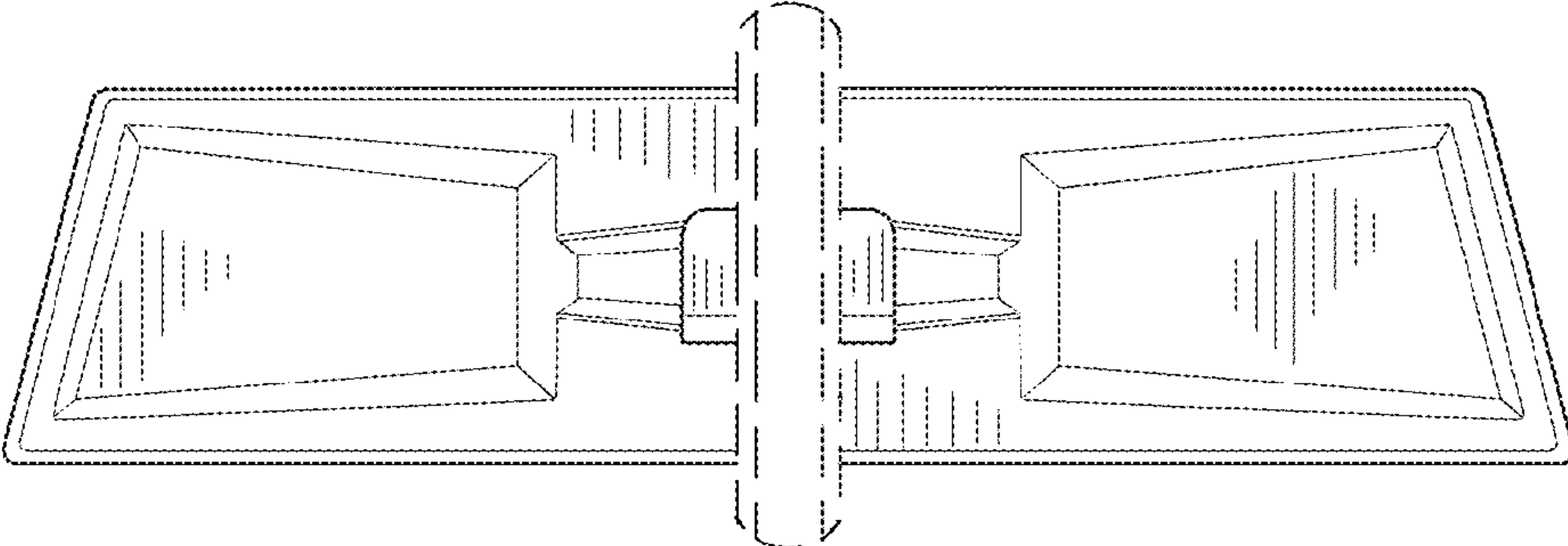


FIG. 6

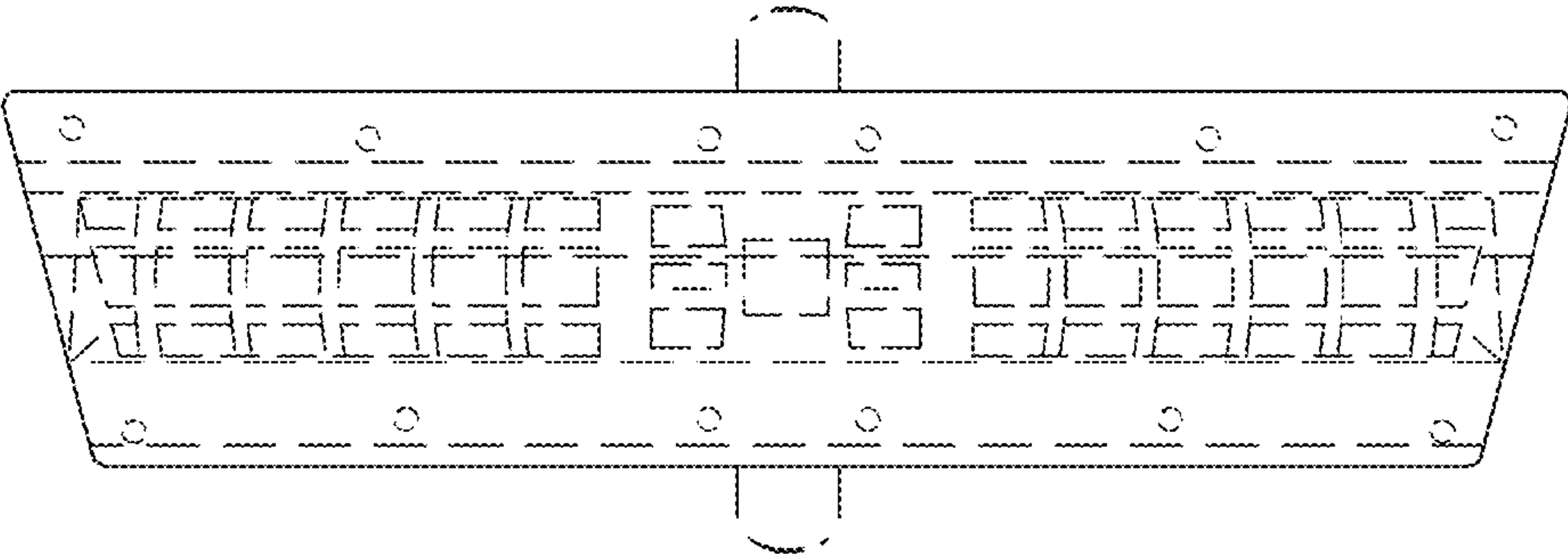


FIG. 7