



US00D723231S

(12) **United States Design Patent**
Jang et al.

(10) **Patent No.:** **US D723,231 S**

(45) **Date of Patent:** **** Feb. 24, 2015**

(54) **HANDLE FOR VACUUM CLEANER**

(71) Applicant: **Samsung Electronics Co., Ltd.**,
Suwon-si, Gyeonggi-do (KR)

(72) Inventors: **Jae-Ho Jang**, Seoul (KR); **Yeon-Young Nam**, Goyang-si (KR)

(73) Assignee: **Samsung Electronics Co., Ltd.** (KR)

(**) Term: **14 Years**

(21) Appl. No.: **29/468,688**

(22) Filed: **Oct. 2, 2013**

(30) **Foreign Application Priority Data**

Apr. 4, 2013 (KR) 30-2013-0017311

(51) **LOC (10) Cl.** **15-05**

(52) **U.S. Cl.**
USPC **D32/32**

(58) **Field of Classification Search**

USPC D32/15-16, 18-21, 22, 30-34; D15/18;
D12/111, 114; 55/DIG. 3, 323, 337,
55/429; D8/68-69; 15/410-412, 246.2,
15/320, 329, 344, 350, 347, 351-353, 349,
15/340.2, 361, 362, DIG. 10

See application file for complete search history.

(56) **References Cited**

U.S. PATENT DOCUMENTS

D185,697 S * 7/1959 Descarries D32/31
D209,573 S * 12/1967 Leinfelt D32/31
D275,333 S * 8/1984 Williams et al. D32/31
D300,574 S * 4/1989 Smith D32/31
D313,096 S * 12/1990 Hayden D32/34

D400,325 S * 10/1998 Broecking D32/33
D453,867 S * 2/2002 Zahuranec et al. D32/31
D506,046 S * 6/2005 Schroter D32/32
D513,101 S * 12/2005 Allard et al. D32/32
7,140,069 B1 * 11/2006 Dangerfield et al. 15/412
D561,415 S * 2/2008 Tavano D32/34
D565,819 S * 4/2008 Renner D32/34
D603,570 S * 11/2009 Svantesson et al. D32/32
D621,566 S * 8/2010 Crawley et al. D32/33
D641,113 S * 7/2011 Choi et al. D32/34
D641,114 S * 7/2011 Choi et al. D32/34
D642,755 S * 8/2011 Fjellman D32/34
2012/0042469 A1 * 2/2012 Davis et al. 15/246.2

* cited by examiner

Primary Examiner — Ruth McInroy

(74) *Attorney, Agent, or Firm* — Cantor Colburn LLP

(57) **CLAIM**

We claim, the ornamental design for a handle for vacuum cleaner, as shown and described.

DESCRIPTION

FIG. 1 is a perspective view of a handle for vacuum cleaner, showing our new design;
FIG. 2 is a front elevation view thereof;
FIG. 3 is a rear elevation view thereof;
FIG. 4 is a side elevation view thereof;
FIG. 5 is a another side elevation view thereof;
FIG. 6 is a top plan view thereof;
FIG. 7 is a bottom plan view thereof;
FIG. 8 is a perspective view thereof shown while in use; and,
FIG. 9 is another perspective view thereof shown while in use.
The broken lines illustrating portions of the handle for vacuum cleaner are for environmental purposes only and form no part of the claimed design.

1 Claim, 7 Drawing Sheets

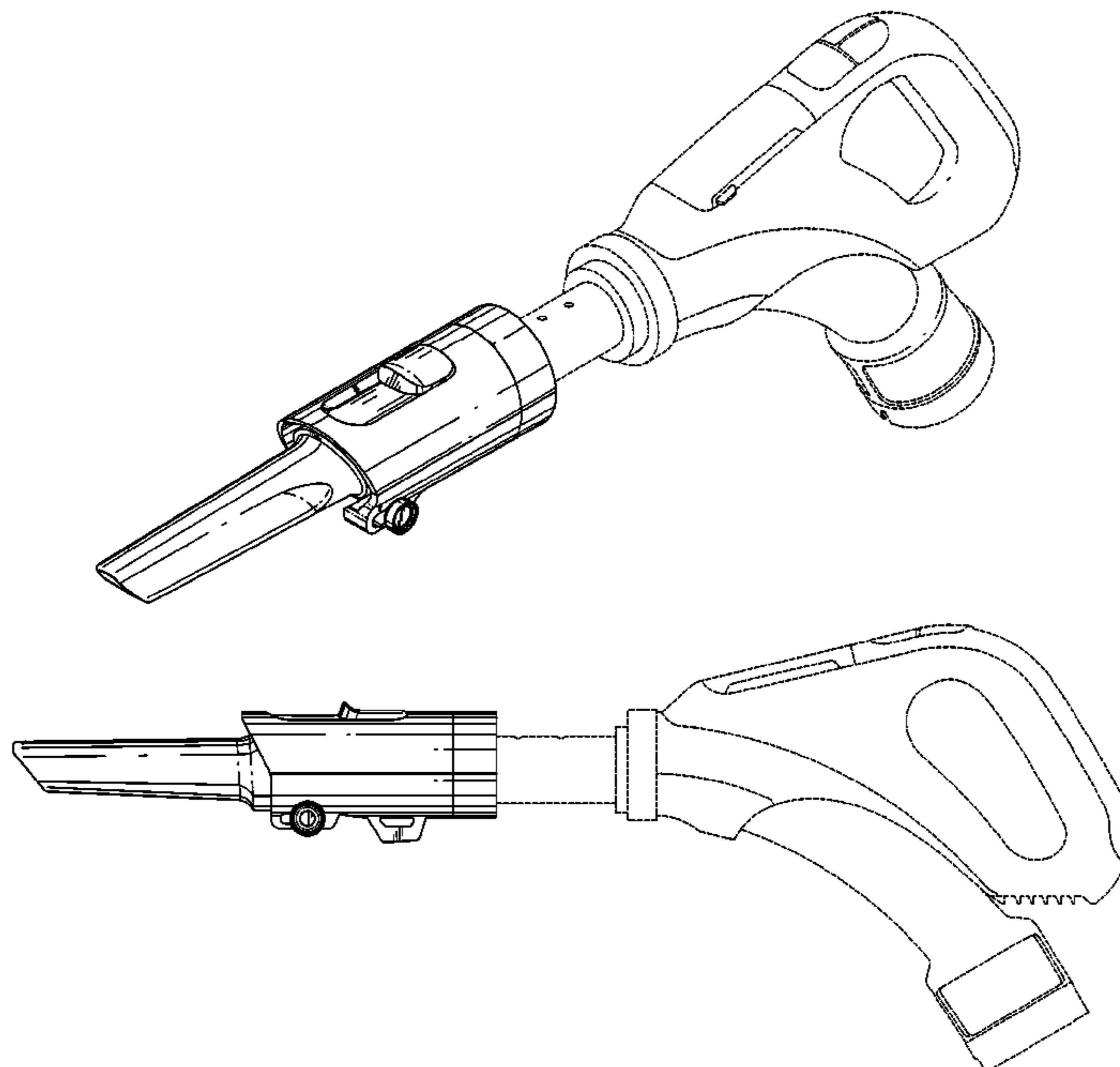


FIG. 1

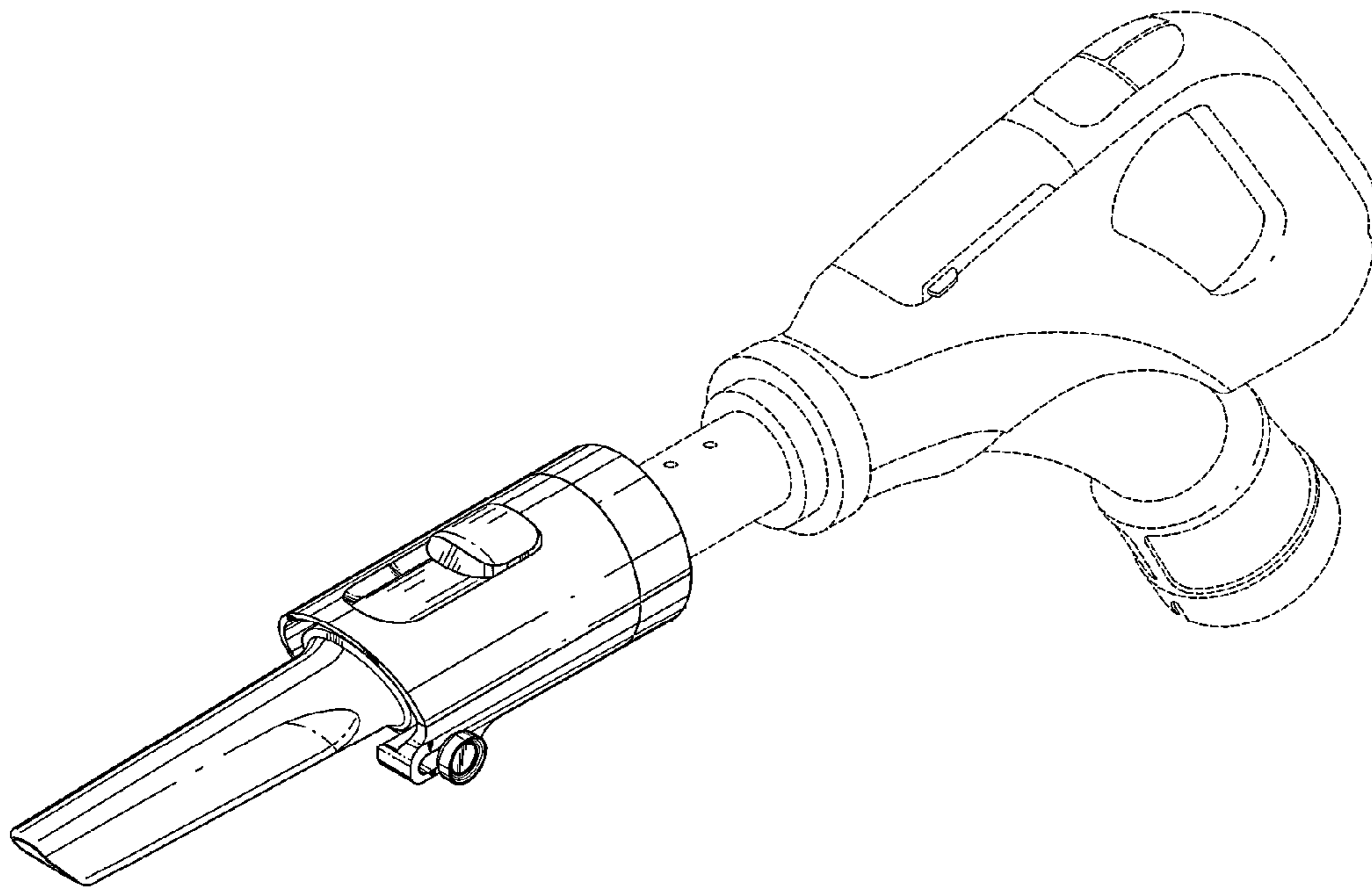


FIG. 2

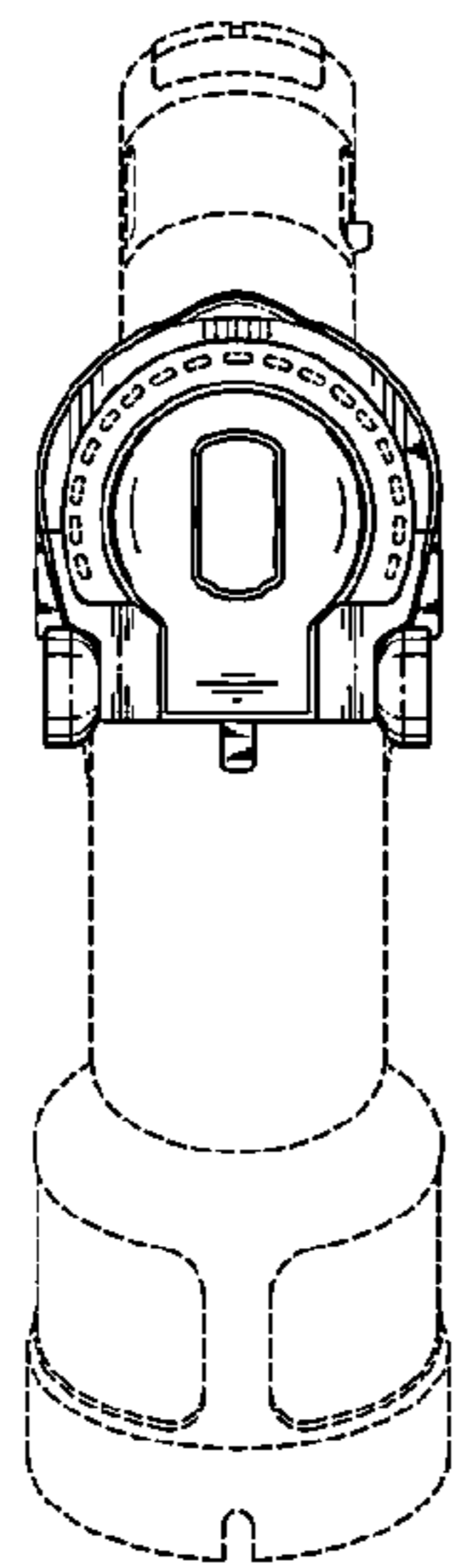


FIG. 3

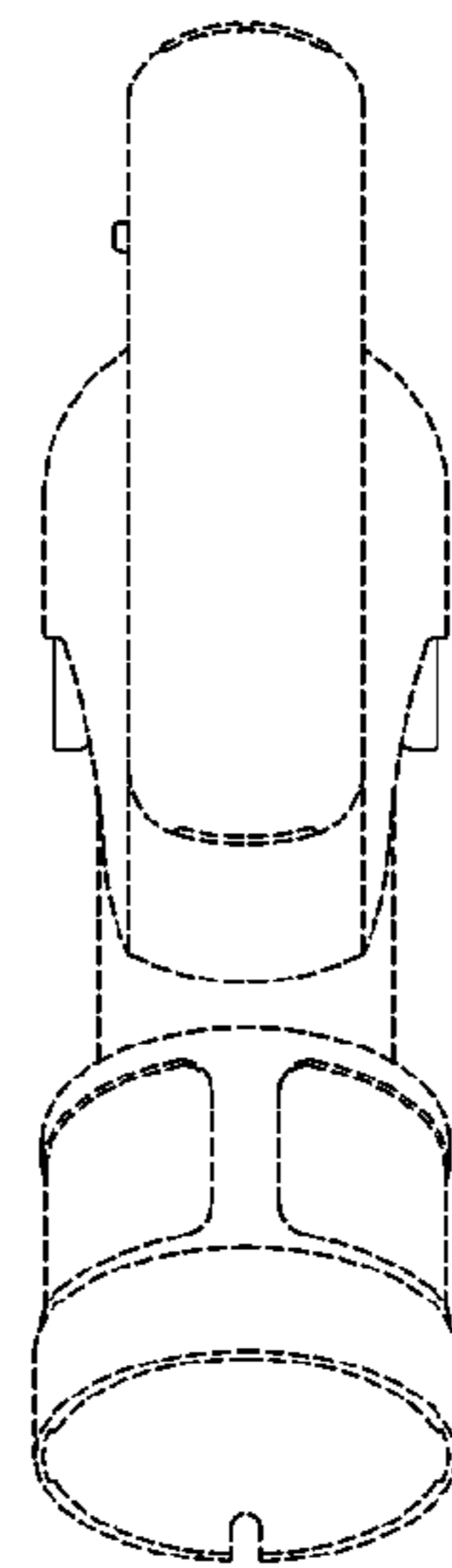


FIG. 4

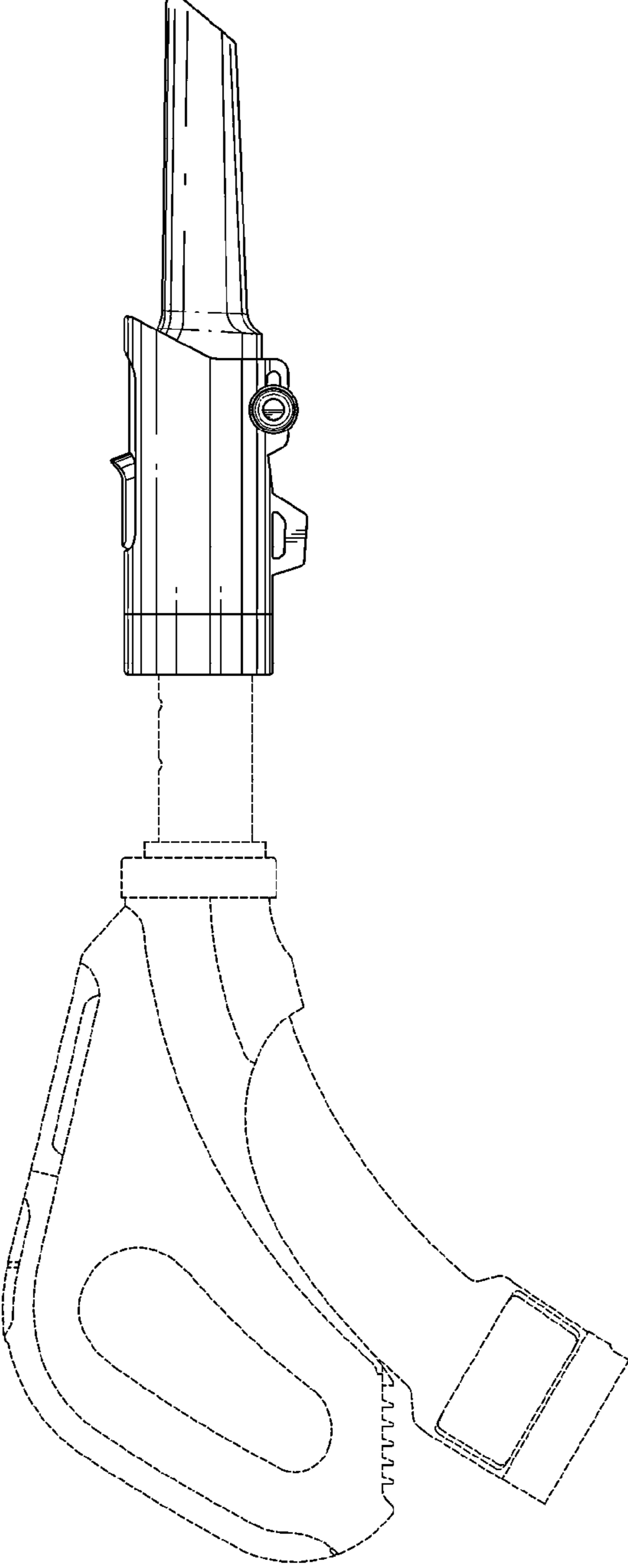


FIG. 5

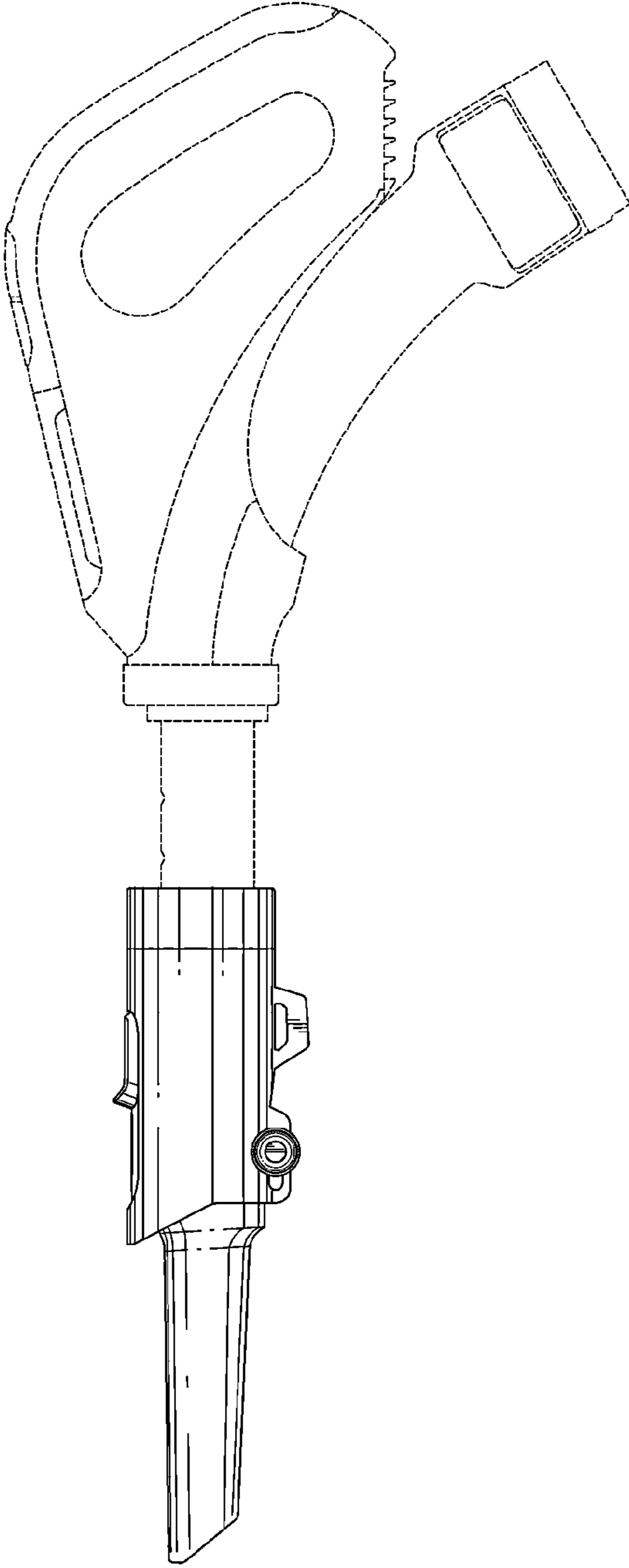


FIG. 6

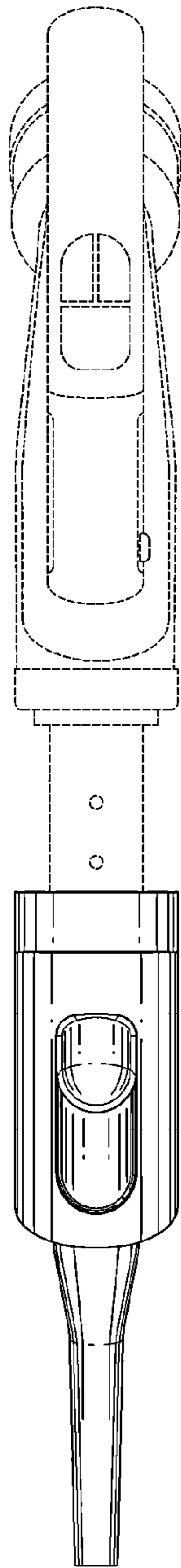


FIG. 7

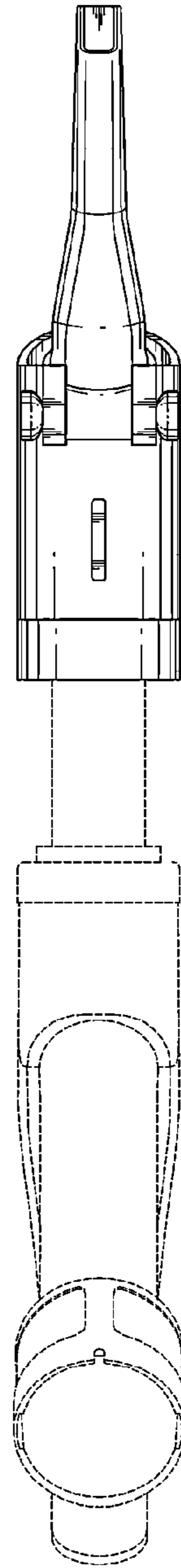


FIG. 8

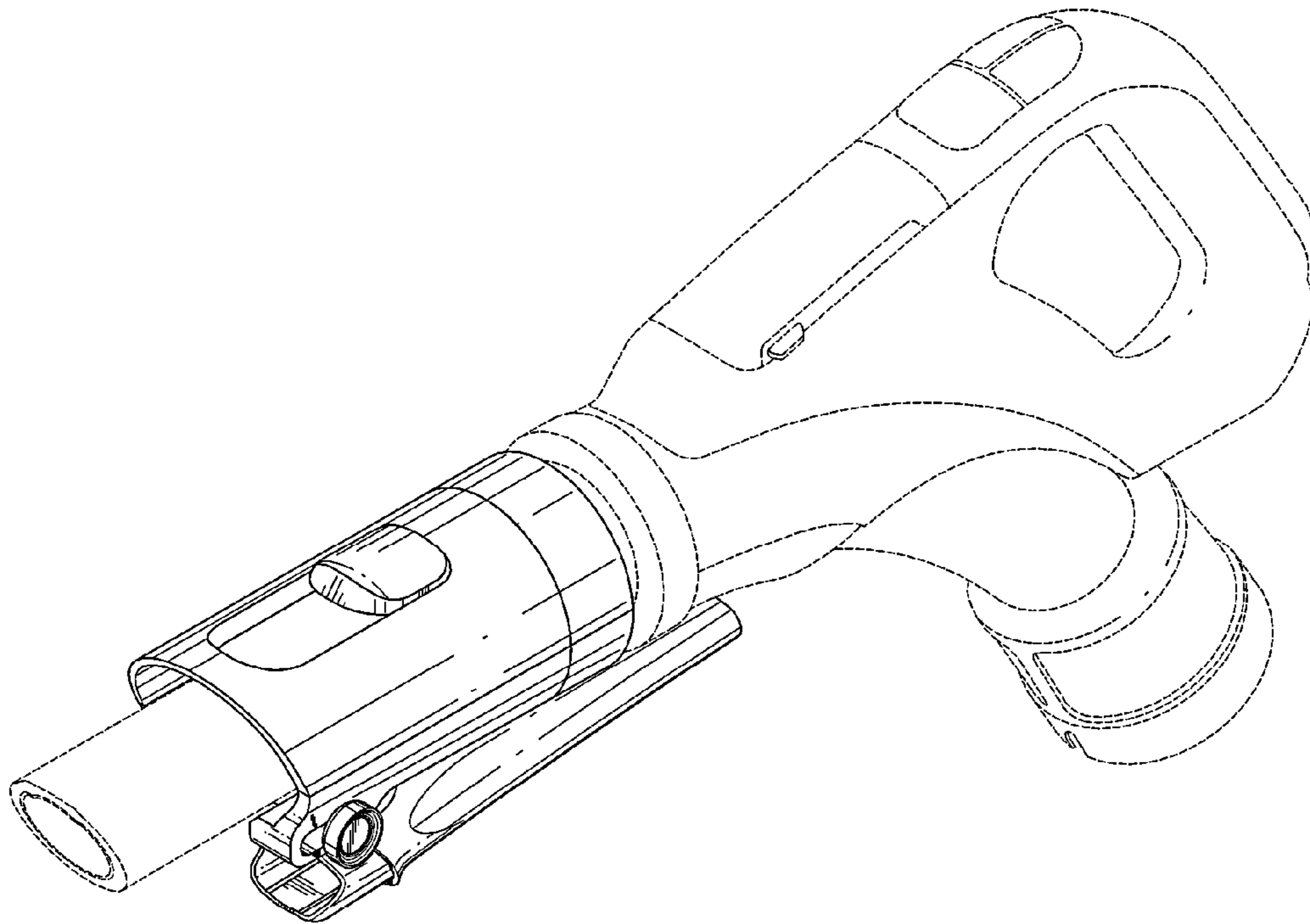


FIG. 9

