



US00D723229S

(12) **United States Design Patent**
Schjelderup

(10) **Patent No.:** **US D723,229 S**

(45) **Date of Patent:** **** Feb. 24, 2015**

(54) **VACUUM CLEANER WITH CAMERA**

(56) **References Cited**

(71) Applicant: **WesDyne Sweden AB**, Täby (SE)

U.S. PATENT DOCUMENTS

(72) Inventor: **Klas Schjelderup**, Enebyberg (SE)

6,185,782	B1 *	2/2001	Hall	15/339
7,328,473	B2 *	2/2008	Deklinski	15/1.7
7,805,793	B2 *	10/2010	Paxton	15/1.7
8,635,730	B2 *	1/2014	Heard	15/1.7
8,695,156	B2 *	4/2014	Marshall et al.	15/345
8,719,997	B1 *	5/2014	Nathenson et al.	15/300.1
2004/0158943	A1 *	8/2004	Popielarczyk et al.	15/1.7
2006/0085929	A1 *	4/2006	Deklinski	15/1.7
2008/0250570	A1 *	10/2008	Dayton et al.	7/170
2008/0313827	A1 *	12/2008	Paxton	15/1.7
2014/0096330	A1 *	4/2014	Meredith et al.	15/3.5

(73) Assignee: **WesDyne Sweden AB**, Taby (SE)

(**) Term: **14 Years**

* cited by examiner

(21) Appl. No.: **29/446,886**

Primary Examiner — Ruth McInroy

(22) Filed: **Feb. 28, 2013**

(74) *Attorney, Agent, or Firm* — MKG, LLC

(30) **Foreign Application Priority Data**

Aug. 31, 2012 (EP) 002095323

(51) **LOC (10) Cl.** **15-05**

(52) **U.S. Cl.**

USPC **D32/21**

(58) **Field of Classification Search**

CPC . A47L 7/004; A47L 11/4036; A47L 11/4041;
A47L 7/0023; A47L 7/009; A47L 11/30

USPC D32/21-24, 32-34; 15/353, 320-321,
15/323, 340.2, 412, 339, 327.1-327.7, 1.7

See application file for complete search history.

(57) **CLAIM**

What is claimed is, the ornamental design for a vacuum cleaner with camera, as shown.

DESCRIPTION

FIG. 1 is a top plan view of a vacuum cleaner with camera showing my new design;

FIG. 2 is a right side elevation view thereof;

FIG. 3 is a front elevation view thereof;

FIG. 4 is a left side elevation view thereof;

FIG. 5 is a rear view elevation view thereof; and,

FIG. 6 is a bottom plan view thereof.

1 Claim, 6 Drawing Sheets

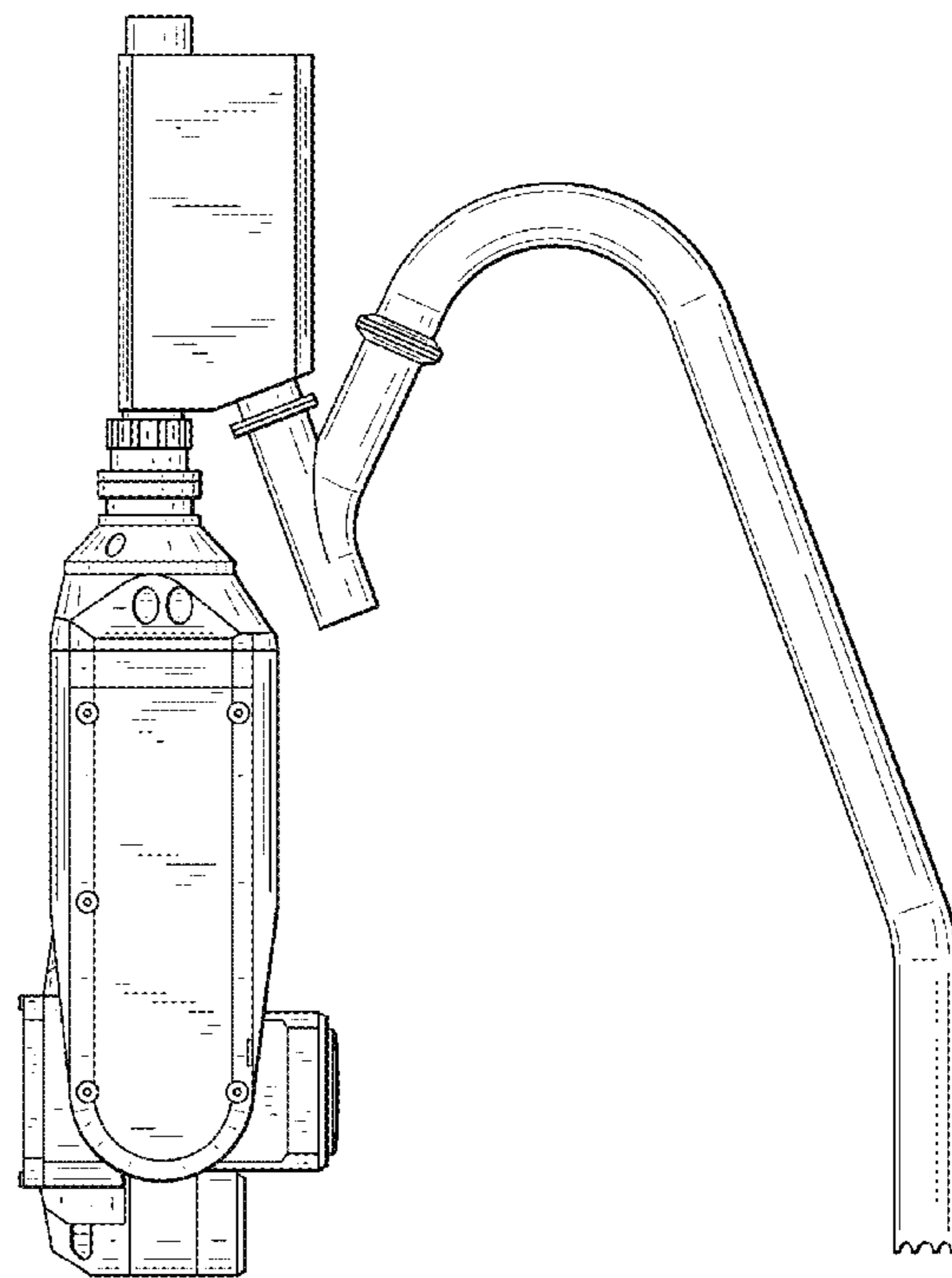
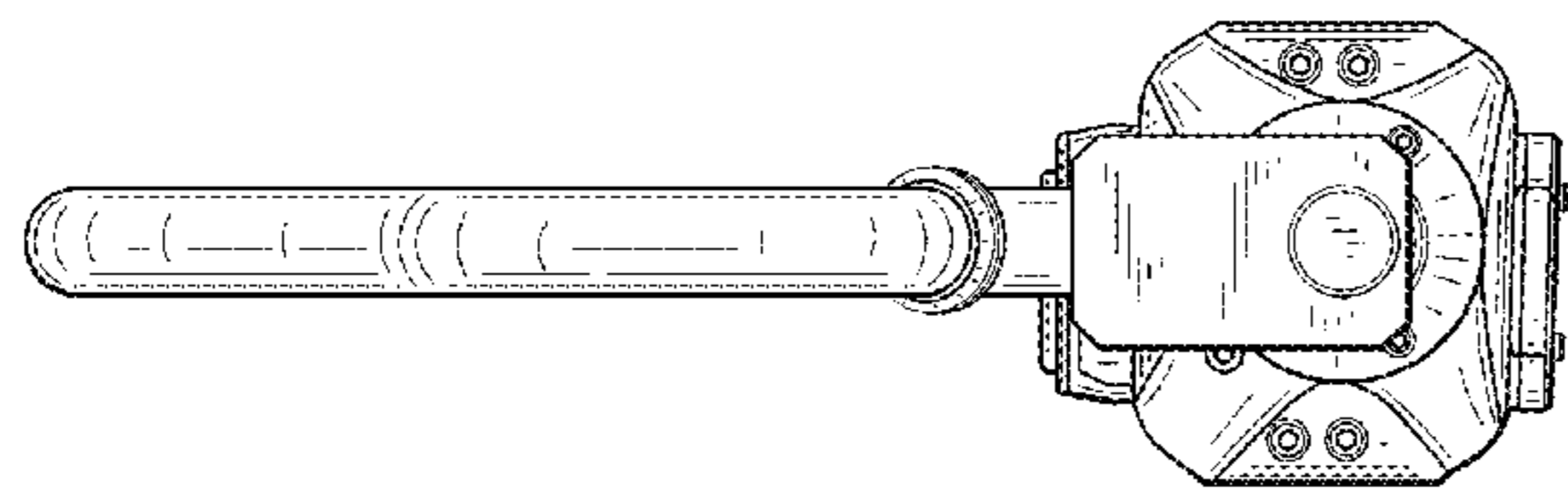


FIG. 1

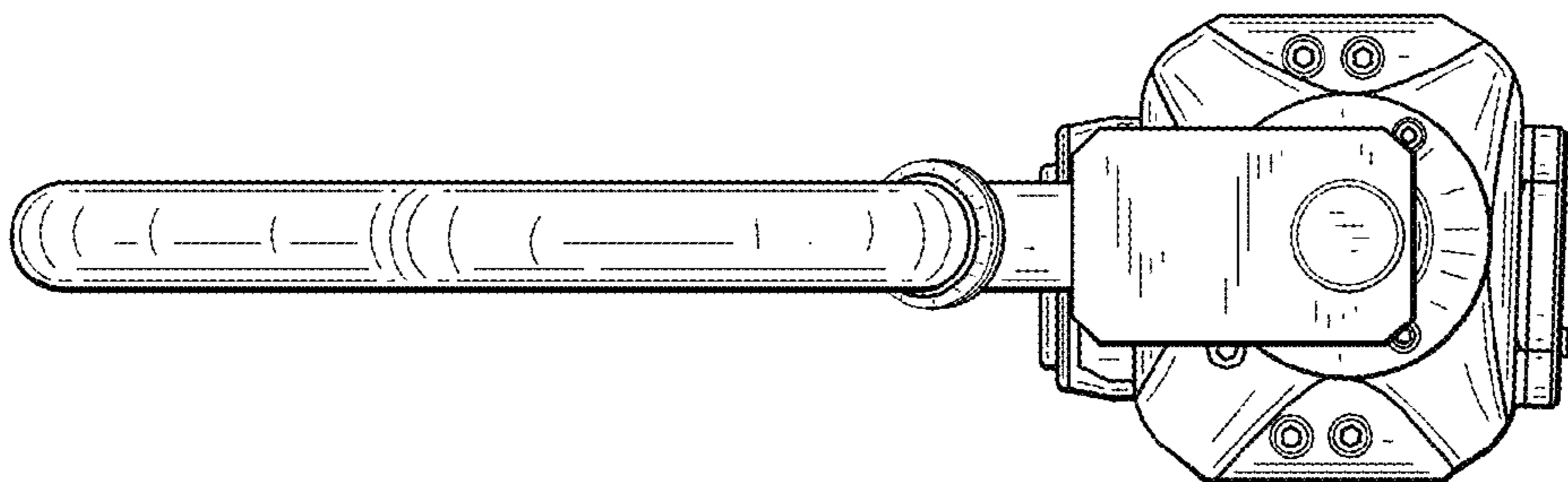


FIG. 2

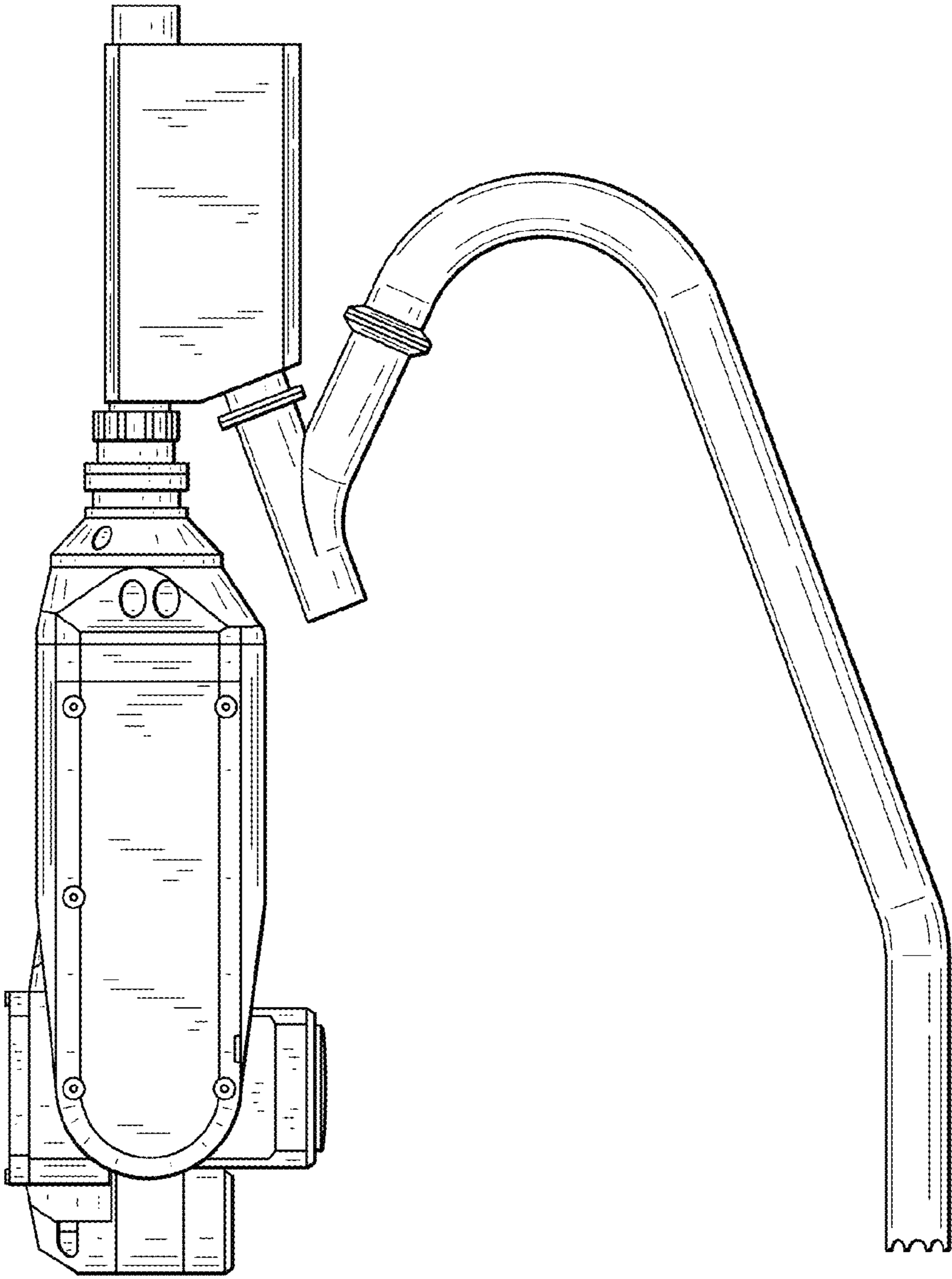


FIG. 3

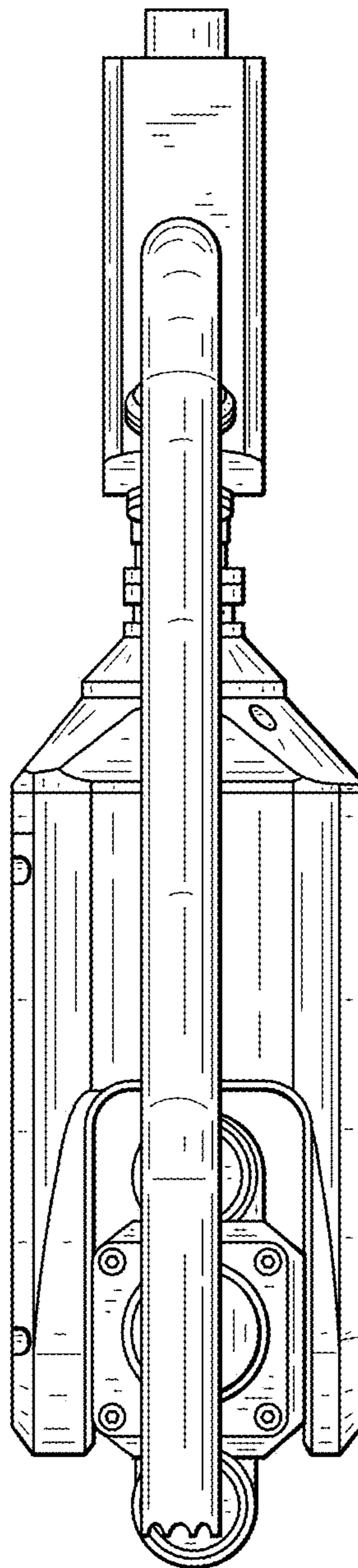


FIG. 4

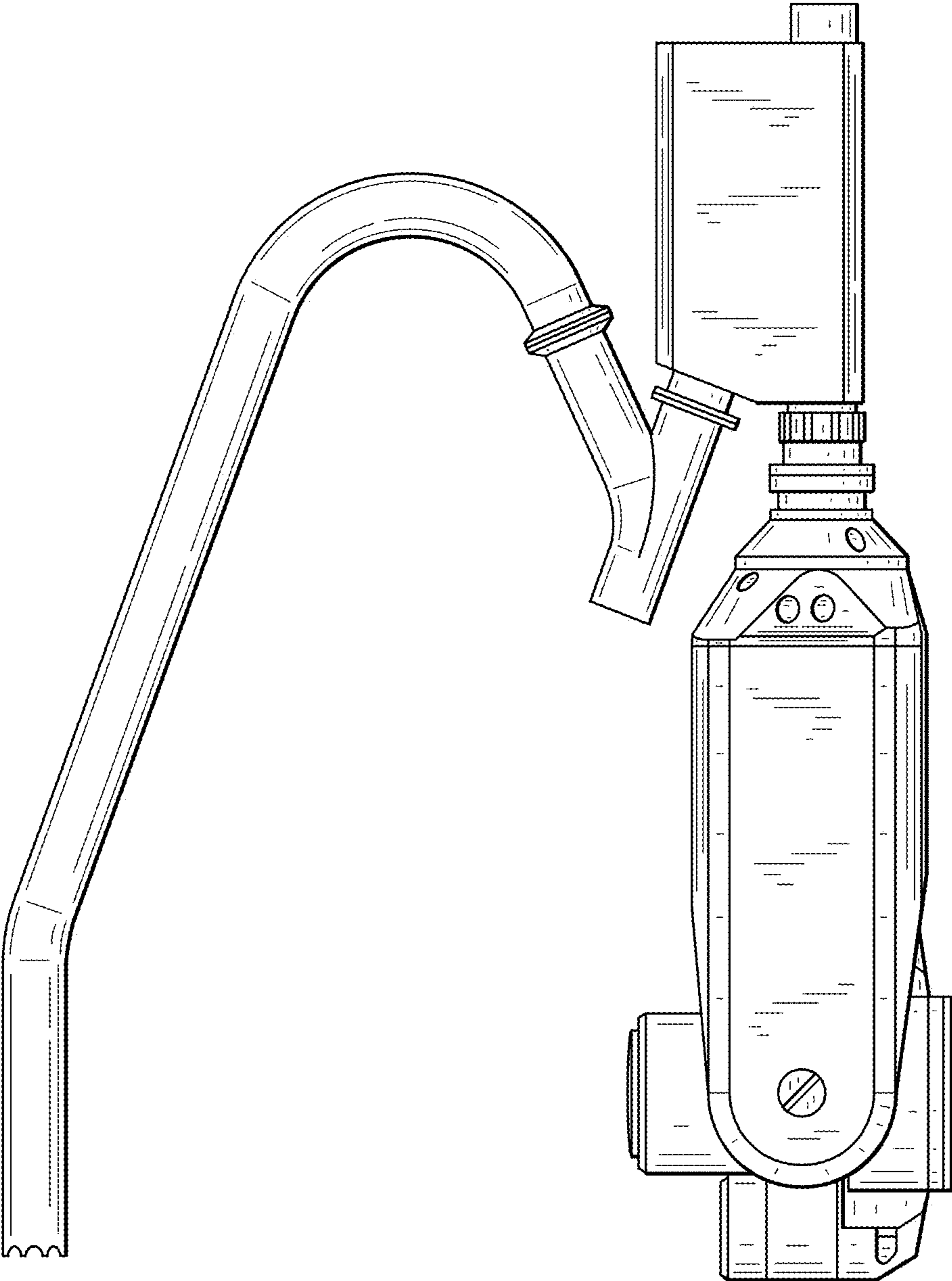


FIG. 5

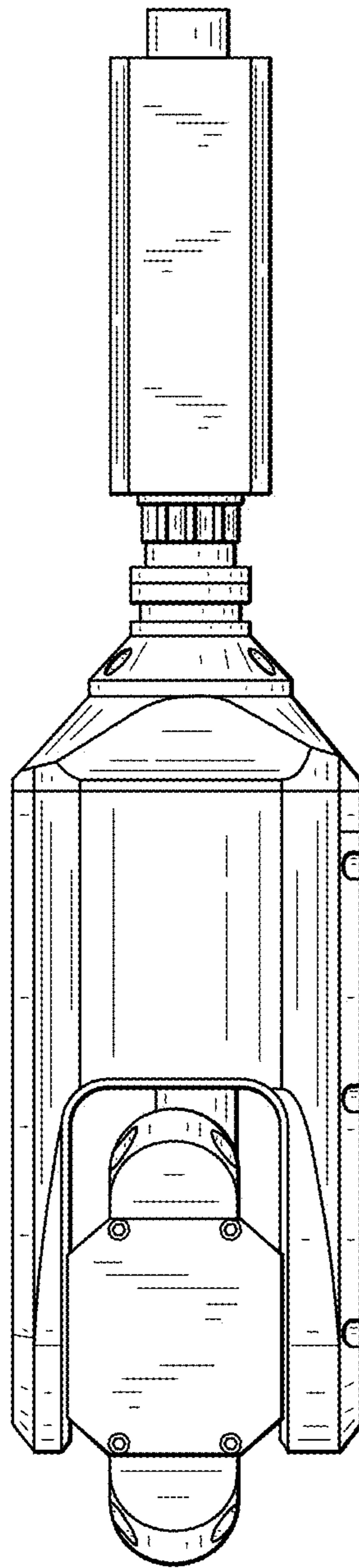


FIG. 6

