

US00D723228S

(12) **United States Design Patent**
Luglan

(10) **Patent No.:** **US D723,228 S**

(45) **Date of Patent:** **** Feb. 24, 2015**

(54) **PORTABLE HAND-HELD VACUUM**

(71) Applicant: **Daniel David Luglan**, Flagstaff, AZ
(US)

(72) Inventor: **Daniel David Luglan**, Flagstaff, AZ
(US)

(73) Assignee: **Daniel David Luglan**, Wickenburg, AZ
(US)

(**) Term: **14 Years**

(21) Appl. No.: **29/486,212**

(22) Filed: **Mar. 27, 2014**

(51) **LOC (10) Cl.** **15-05**

(52) **U.S. Cl.**
USPC **D32/18**

(58) **Field of Classification Search**
USPC D32/17-18, 31-33; 15/344, 329, 414,
15/415.1-422.1

See application file for complete search history.

(56) **References Cited**

U.S. PATENT DOCUMENTS

D200,092 S *	1/1965	Polatchek	D32/18
D205,994 S *	10/1966	Ota	D32/18
D219,113 S *	11/1970	Coult	D32/18
4,799,460 A *	1/1989	Kuhl	15/344
D303,856 S *	10/1989	Yuen	D32/18
D316,316 S *	4/1991	Yuen	D32/18
D319,121 S *	8/1991	Muller	D32/17
D360,502 S *	7/1995	Hollinger	D32/18
D387,515 S *	12/1997	Nottingham et al.	D32/17
D400,325 S *	10/1998	Broecking	D32/33
D475,490 S *	6/2003	Choi	D32/17
D481,840 S *	11/2003	Lammers et al.	D32/18
D488,271 S *	4/2004	Schroter	D32/31

D513,101 S *	12/2005	Allard et al.	D32/32
D519,696 S *	4/2006	Adams	D32/33
D520,202 S *	5/2006	Dyson et al.	D32/33
D543,667 S *	5/2007	Yoshimoto et al.	D32/18
D565,261 S *	3/2008	Peace	D32/31
D592,365 S *	5/2009	Massip et al.	D32/17
D595,461 S *	6/2009	Massip et al.	D32/17
D603,570 S *	11/2009	Svantesson et al.	D32/32
D621,566 S *	8/2010	Crawley et al.	D32/33
D622,457 S *	8/2010	Choi	D32/17
D624,254 S *	9/2010	Ediger et al.	D32/17
D626,708 S *	11/2010	Khalil et al.	D32/18
D656,695 S *	3/2012	Crawley	D32/33
D659,923 S *	5/2012	Dyson	D32/33
2009/0172912 A1 *	7/2009	Knopow	15/344
2012/0124771 A1 *	5/2012	Gooden et al.	15/344

* cited by examiner

Primary Examiner — Ruth McInroy

(74) *Attorney, Agent, or Firm* — Invention to Patent Services; Alex Hobson

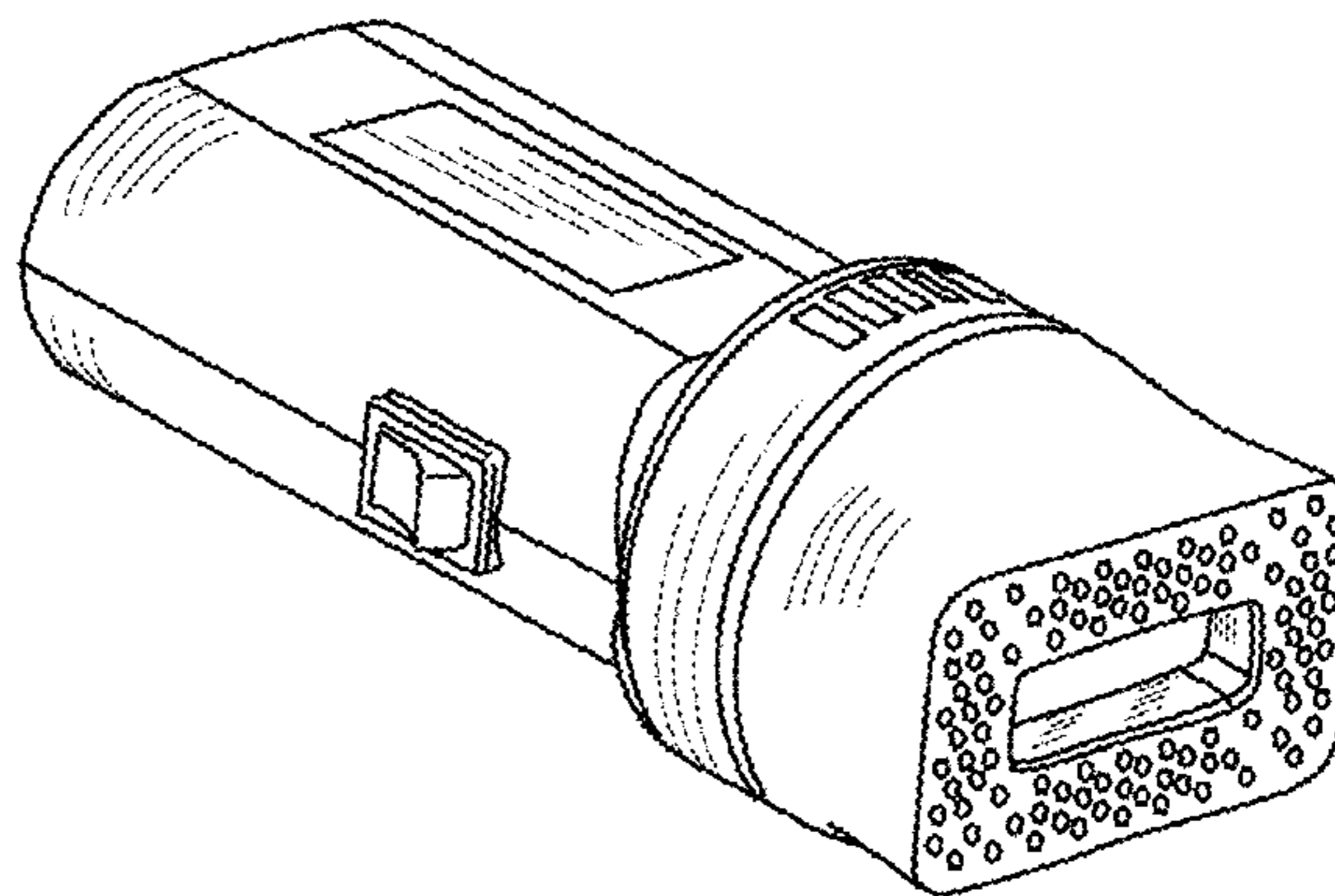
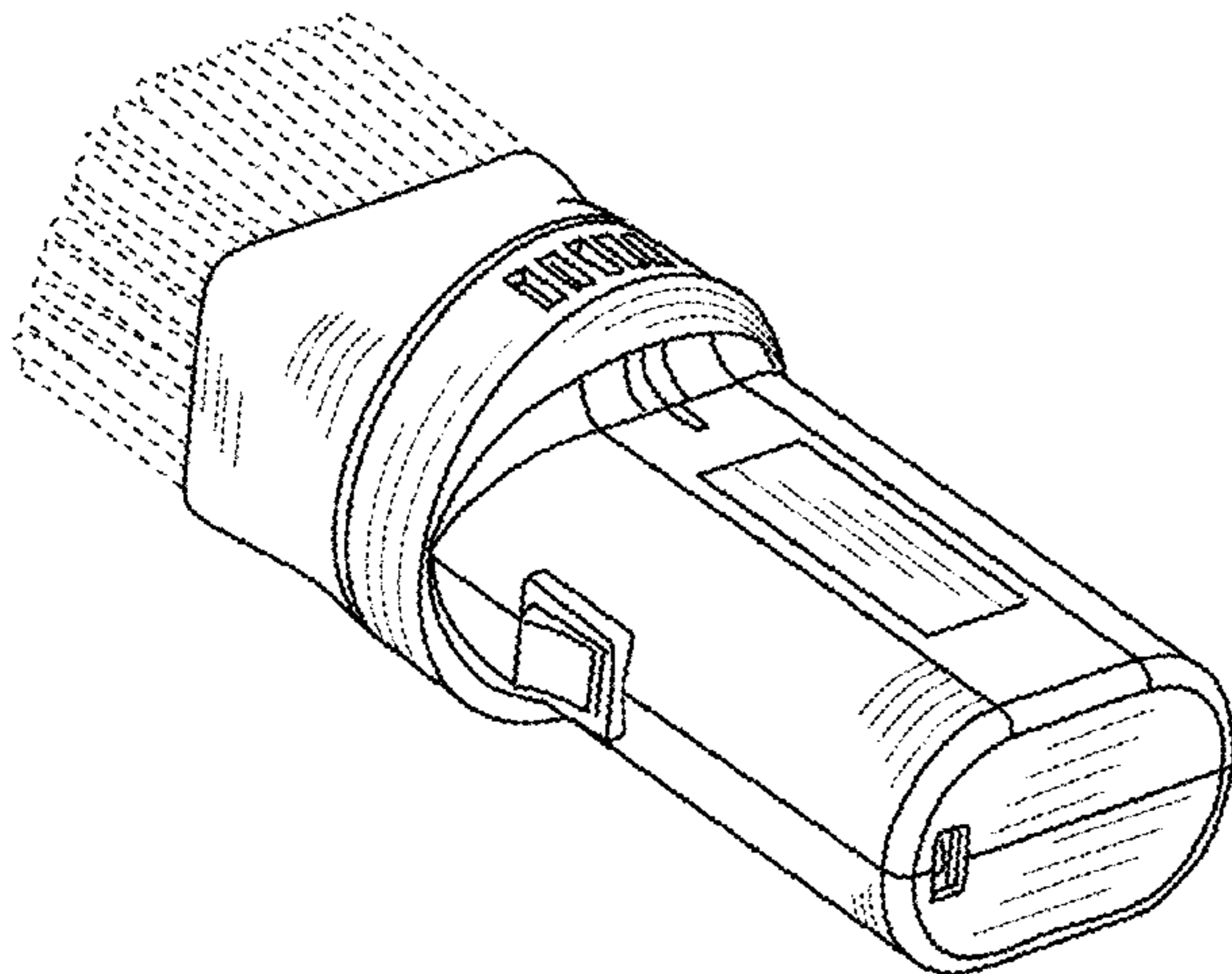
(57) **CLAIM**

The ornamental design for a portable hand-held vacuum, as shown and described.

DESCRIPTION

FIG. 1 is a top, rear and left-side perspective view of a portable hand-held vacuum showing my new design; FIG. 2 is a top, rear and right-side perspective view thereof; FIG. 3 is a top, front and left-side perspective view thereof, without the cleaning head; FIG. 4 is a top, rear and right side perspective view thereof, showing the cleaning head detached; and, FIG. 5 is a top, rear and left-side perspective view thereof, the hat shown in broken lines forms no part of the claimed design. The details shown in broken lines form no part of the claimed design.

1 Claim, 5 Drawing Sheets



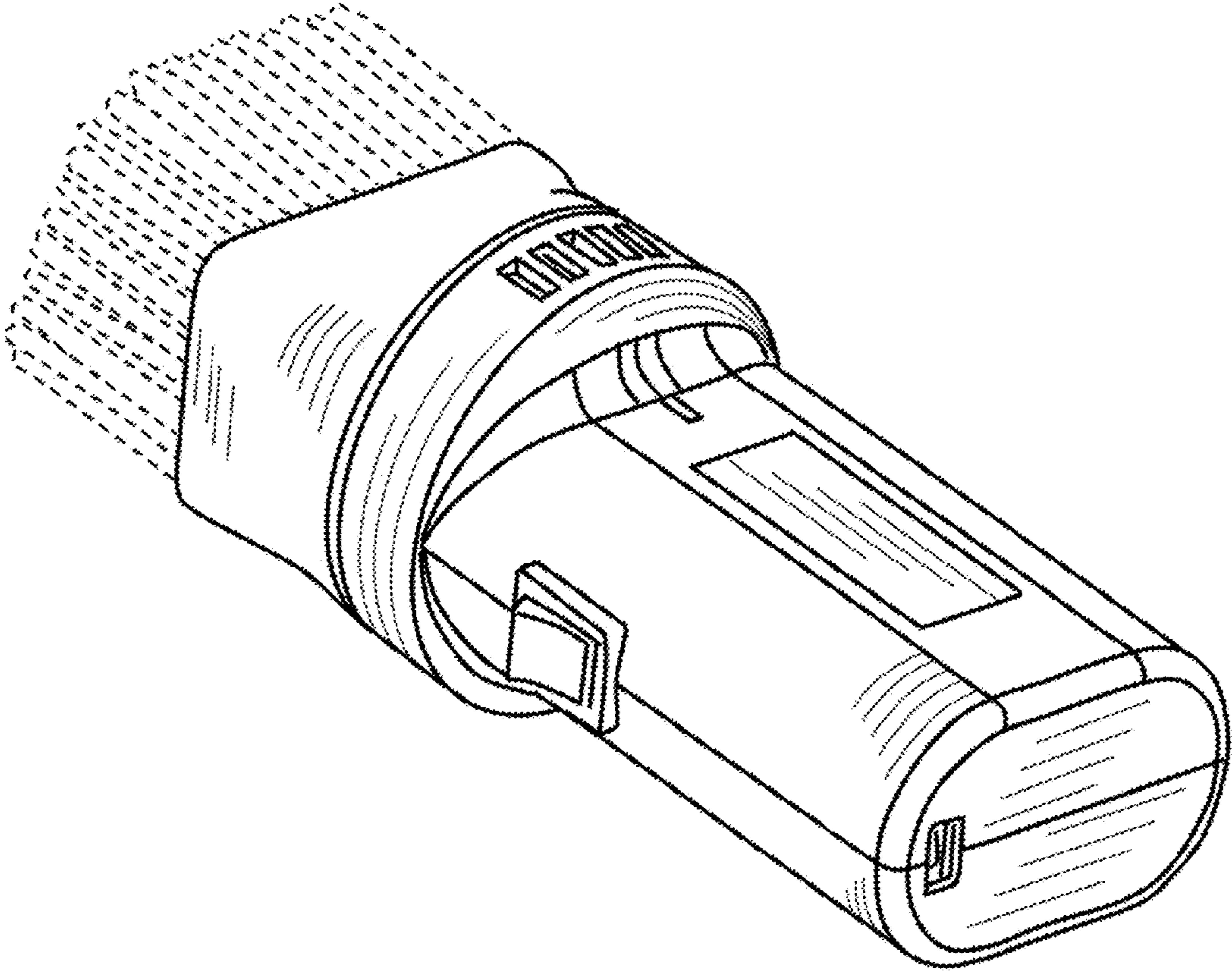


FIG. 1

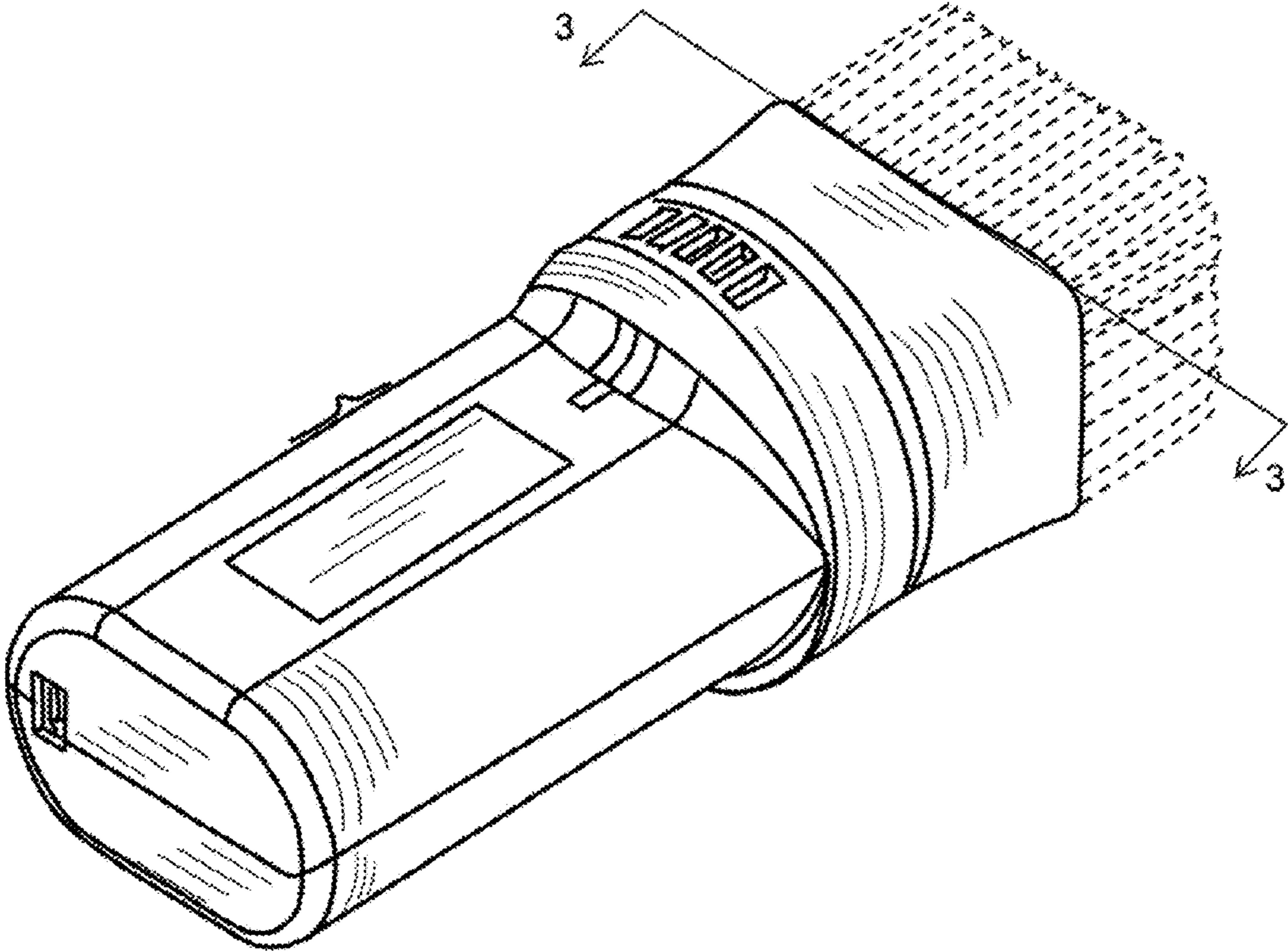


FIG. 2

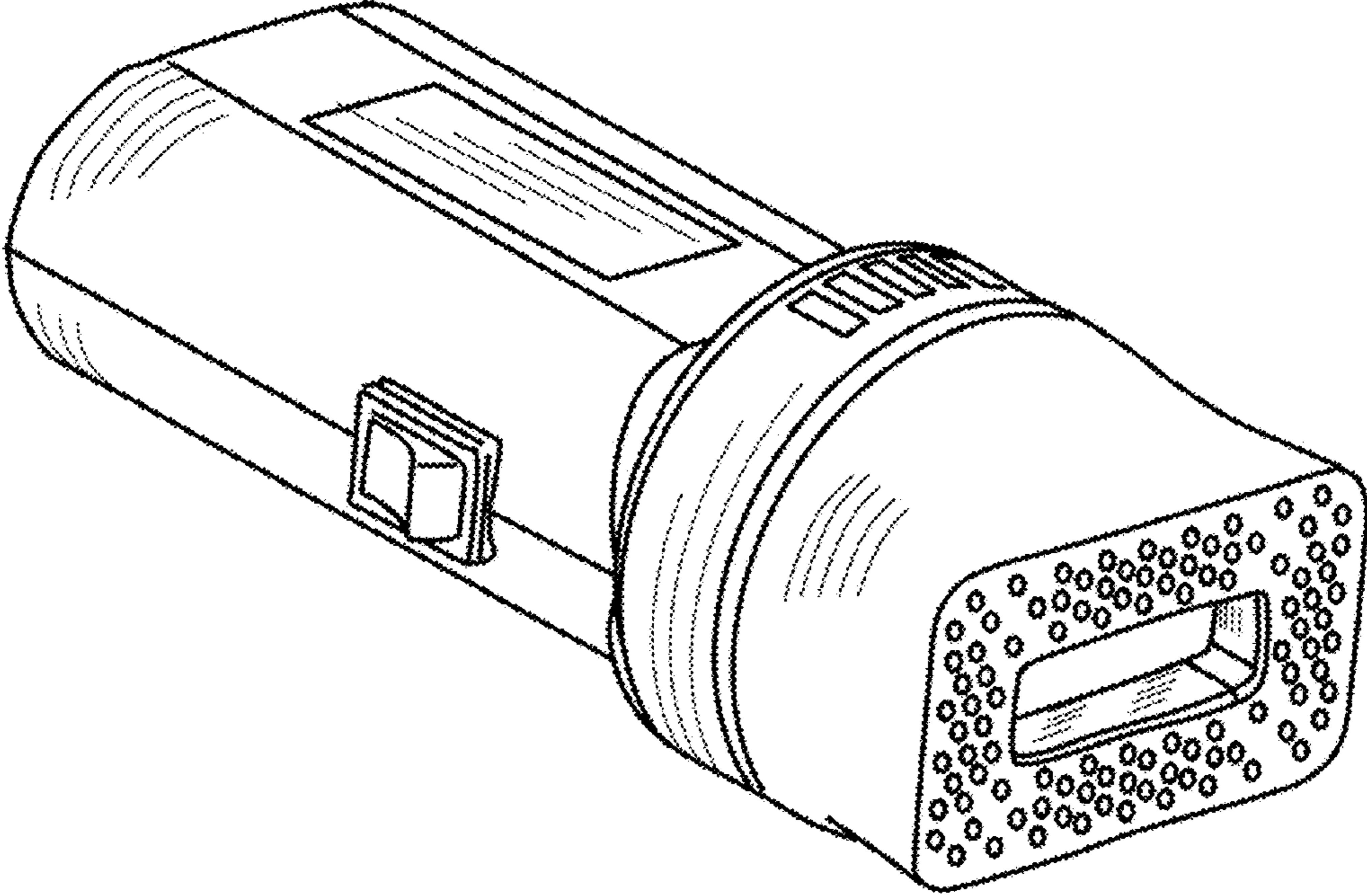


FIG. 3

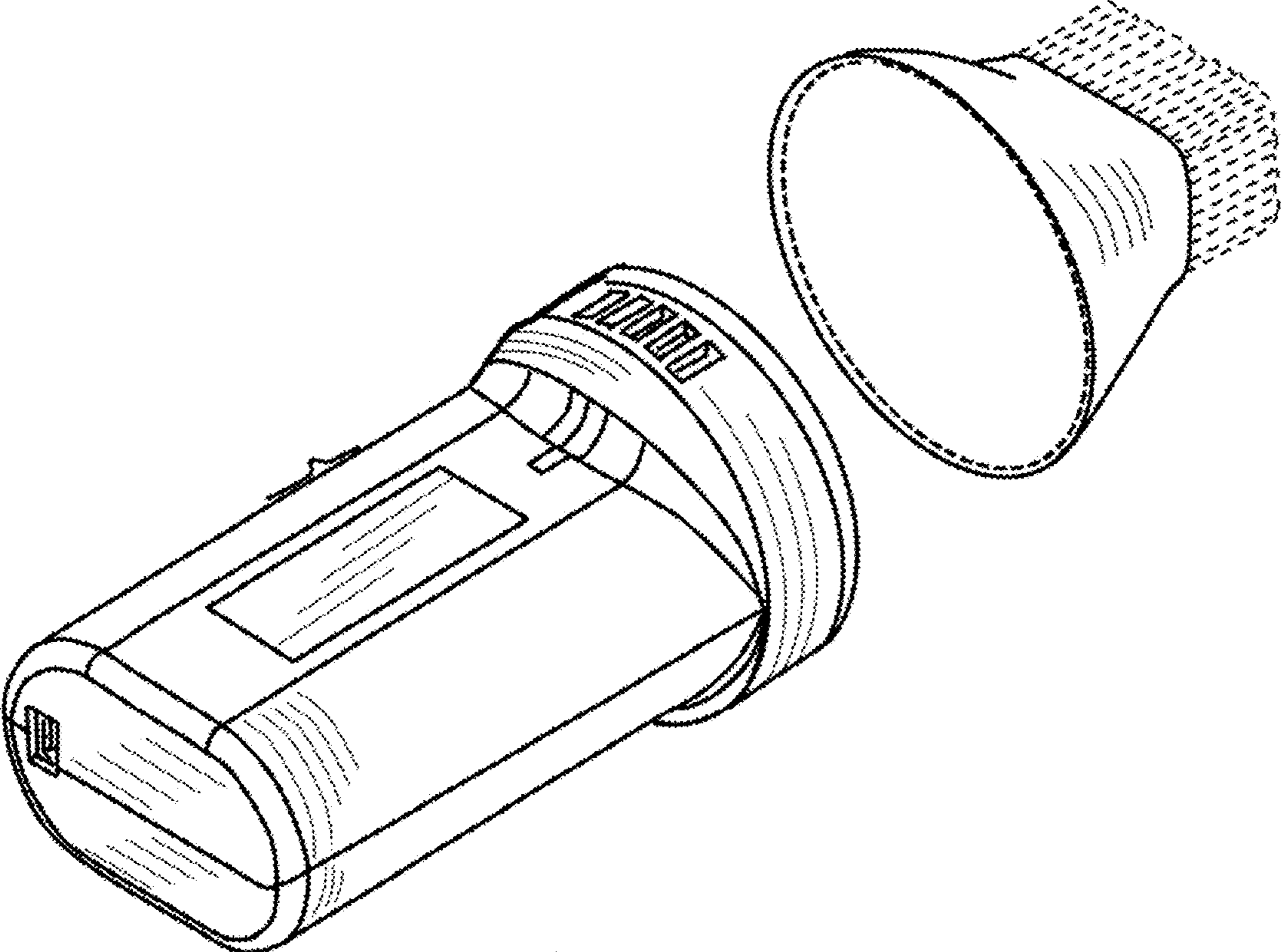


FIG. 4

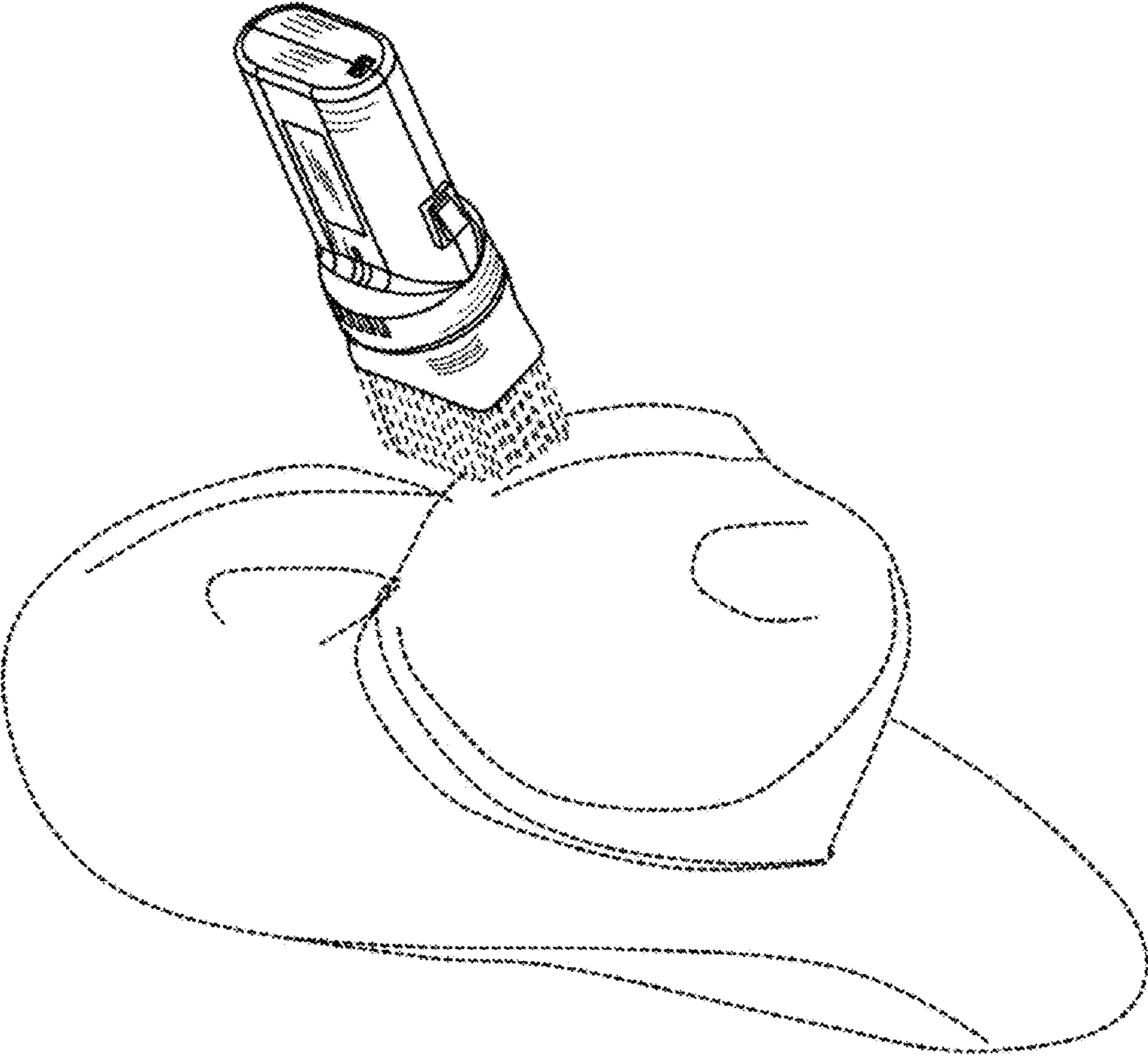


FIG. 5