



US00D723221S

(12) **United States Design Patent**  
**Hamazaki**

(10) **Patent No.:** **US D723,221 S**  
(45) **Date of Patent:** **\*\* \*Feb. 24, 2015**

(54) **FALSE EYELASH**

(56) **References Cited**

(71) Applicant: **Takumi Import Co., Ltd.**, Minato-ku,  
Tokyo (JP)

(72) Inventor: **Masaaki Hamazaki**, Tokyo (JP)

(73) Assignee: **Takumi Import Co., Ltd.**, Tokyo (JP)

(\*) Notice: This patent is subject to a terminal disclaimer.

(\*\*) Term: **14 Years**

(21) Appl. No.: **29/458,913**

(22) Filed: **Jun. 24, 2013**

(30) **Foreign Application Priority Data**

Dec. 25, 2012 (JP) ..... 2012-31395

(51) **LOC (10) Cl.** ..... **28-04**

(52) **U.S. Cl.**

CPC ..... **A41G 5/02** (2013.01)

USPC ..... **D28/92**

(58) **Field of Classification Search**

CPC ..... A41G 5/02

USPC ..... D28/39-43, 92, 93; 132/53-56, 201

See application file for complete search history.

U.S. PATENT DOCUMENTS

3,516,422 A *	6/1970	Bechtold et al. ....	132/53
3,833,007 A *	9/1974	Jacobs .....	132/53
4,299,242 A *	11/1981	Choe .....	132/53
D632,018 S *	2/2011	Nguyen .....	D28/92
D632,019 S *	2/2011	Nguyen .....	D28/92
8,113,218 B2 *	2/2012	Nguyen .....	132/201

\* cited by examiner

*Primary Examiner* — Zenia Bennett

(74) *Attorney, Agent, or Firm* — Arent Fox LLP

(57) **CLAIM**

The ornamental design for a false eyelash, as shown and described.

**DESCRIPTION**

FIG. 1 is a front elevational view of a false eyelash showing my new design;

FIG. 2 is a top plan view of the design shown in FIG. 1;

FIG. 3 is a bottom plan view of the design shown in FIG. 1;

FIG. 4 is a left side elevational view of the design shown in FIG. 1;

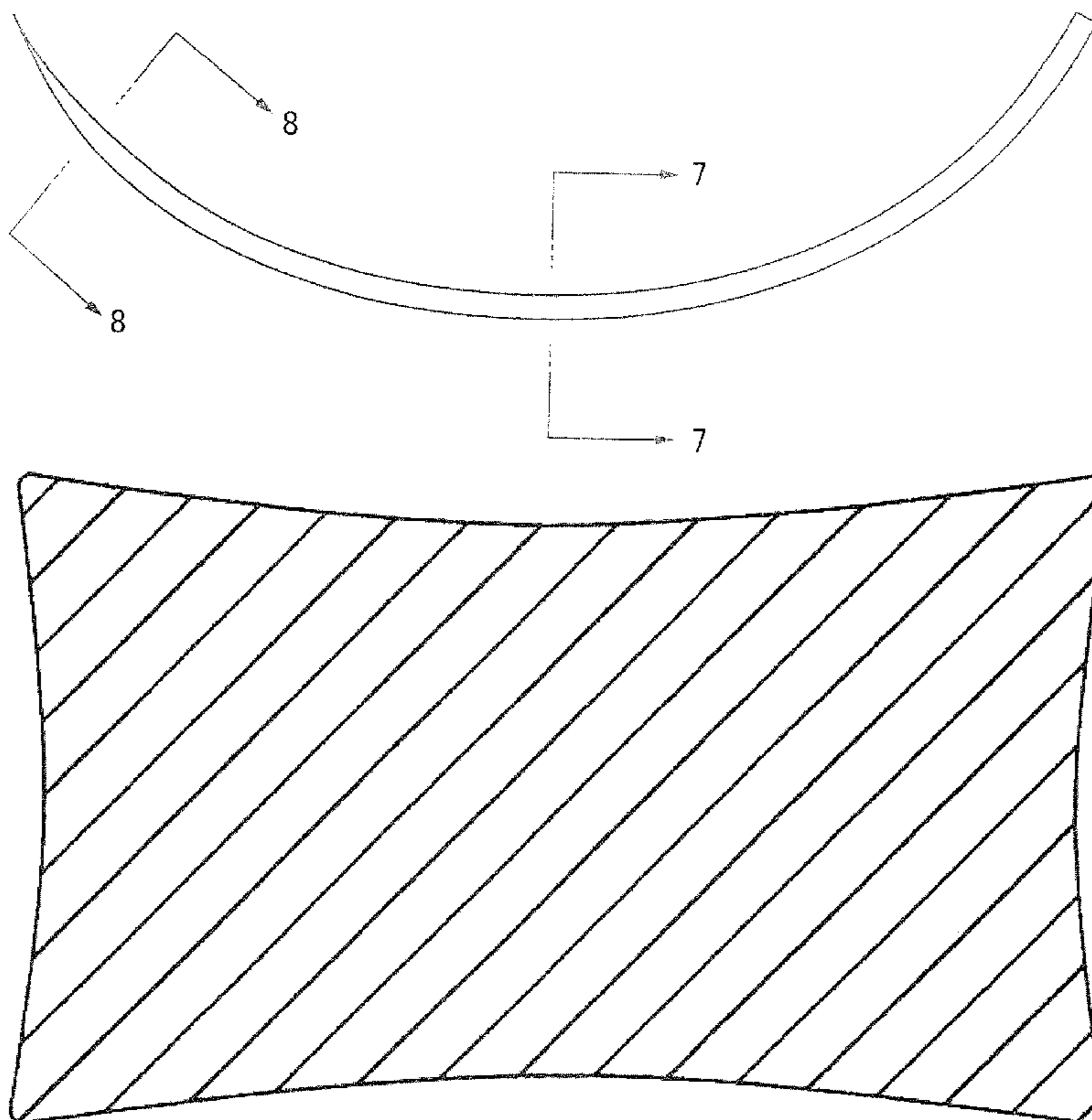
FIG. 5 is a right side elevational view of the design shown in FIG. 1;

FIG. 6 is a perspective view of the design shown in FIG. 1;

FIG. 7 is an enlarged sectional view of the design according to line 7-7 in FIG. 1; and,

FIG. 8 is an enlarged section view of the design according to line 8-8 in FIG. 1.

**1 Claim, 8 Drawing Sheets**



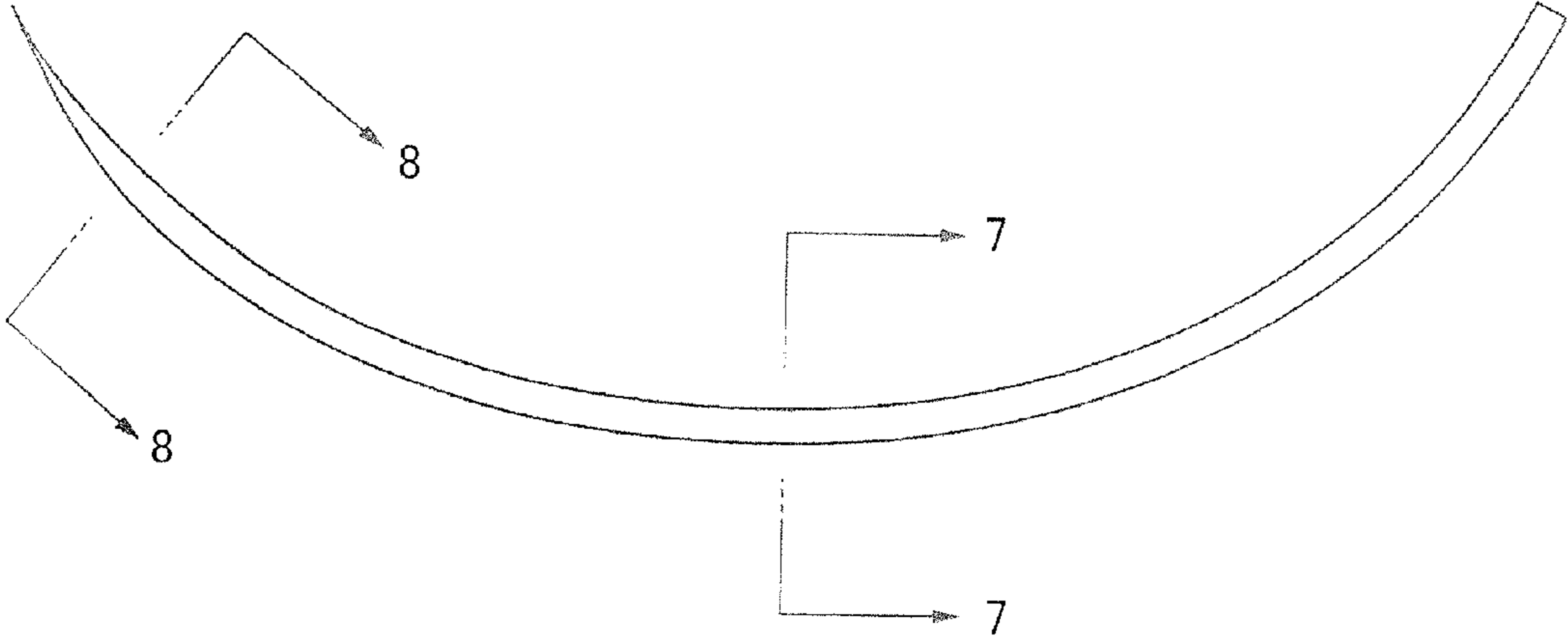


FIG. 1



FIG. 2



FIG. 3



FIG. 4



FIG. 5

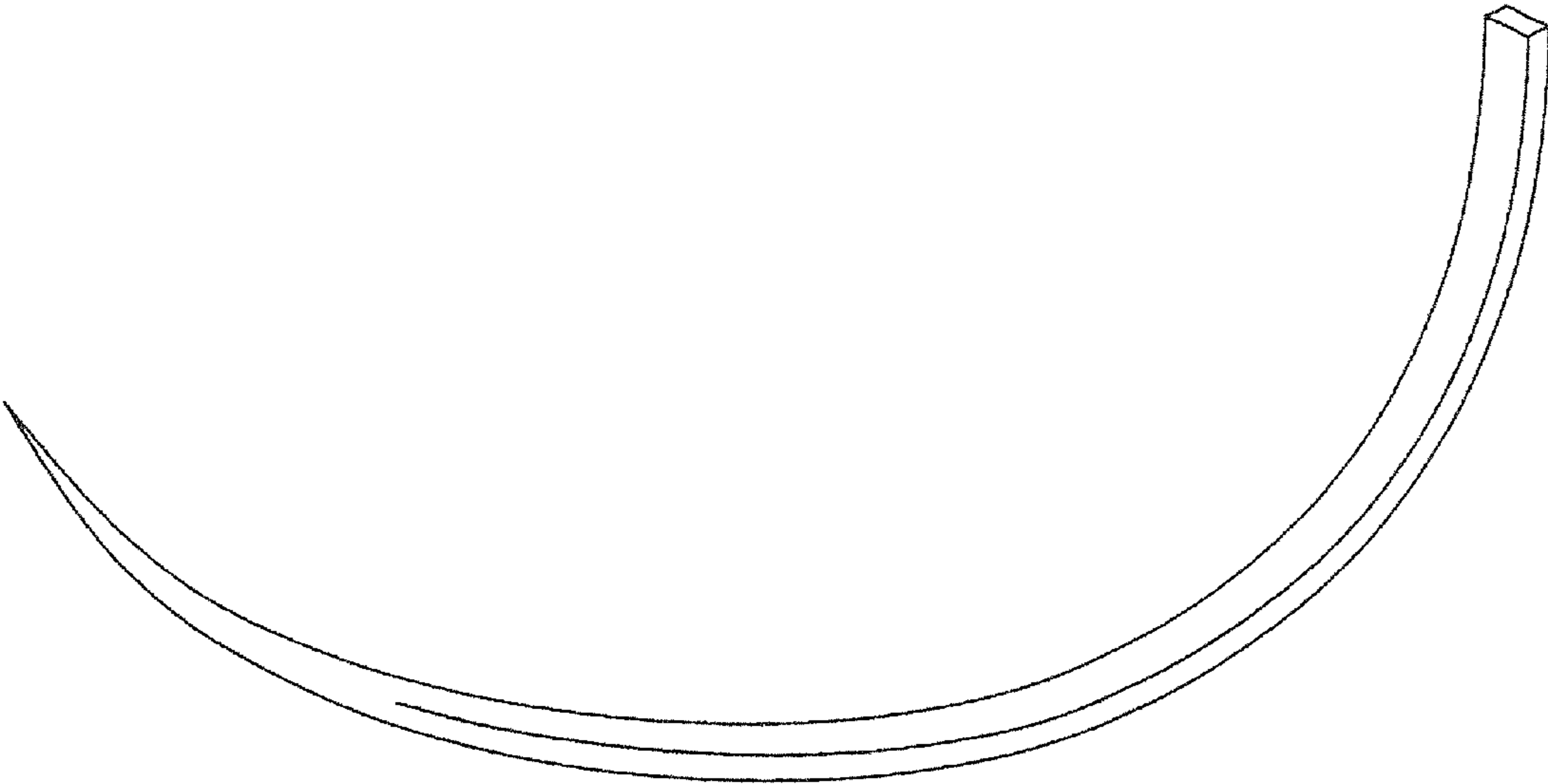


FIG. 6

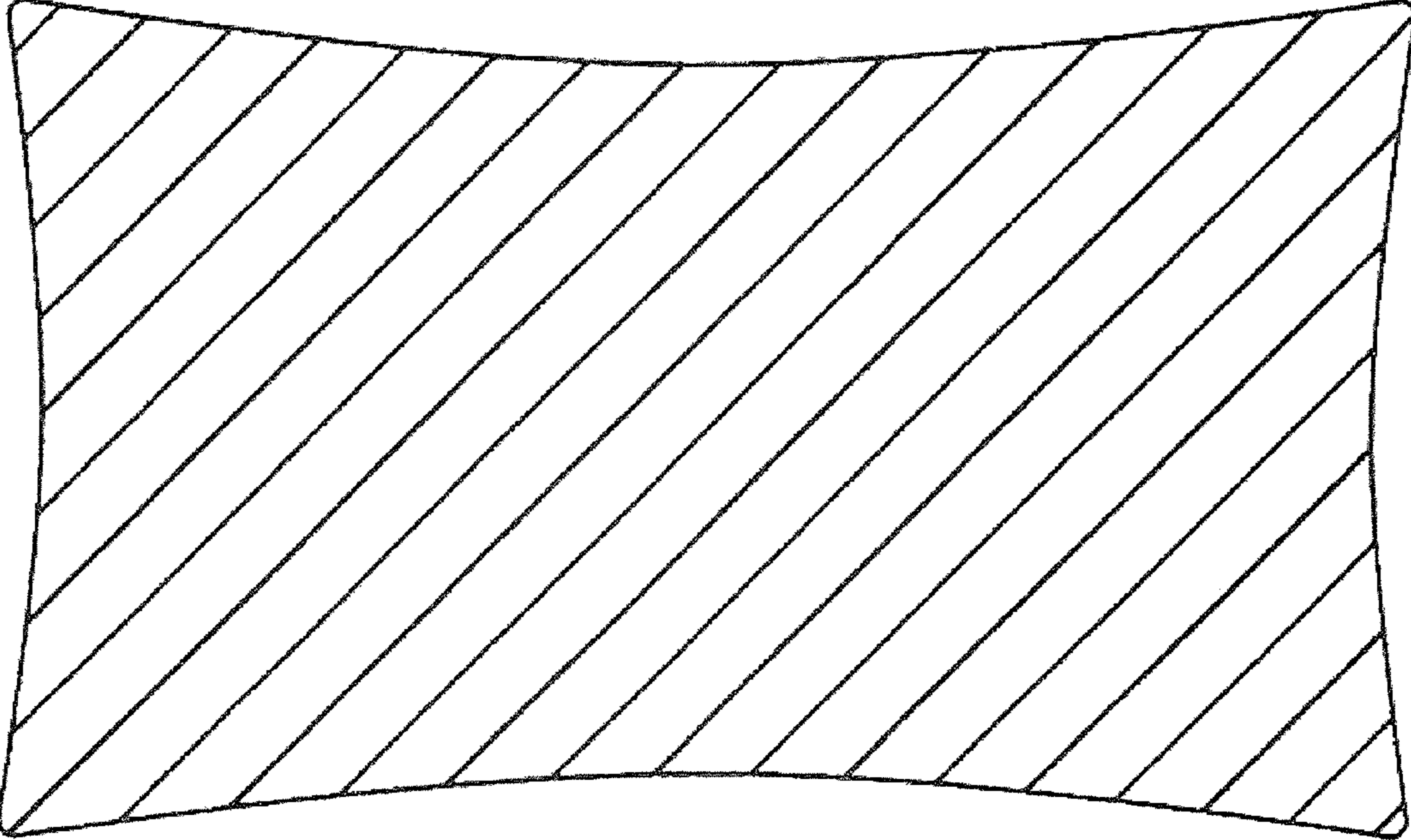


FIG. 7



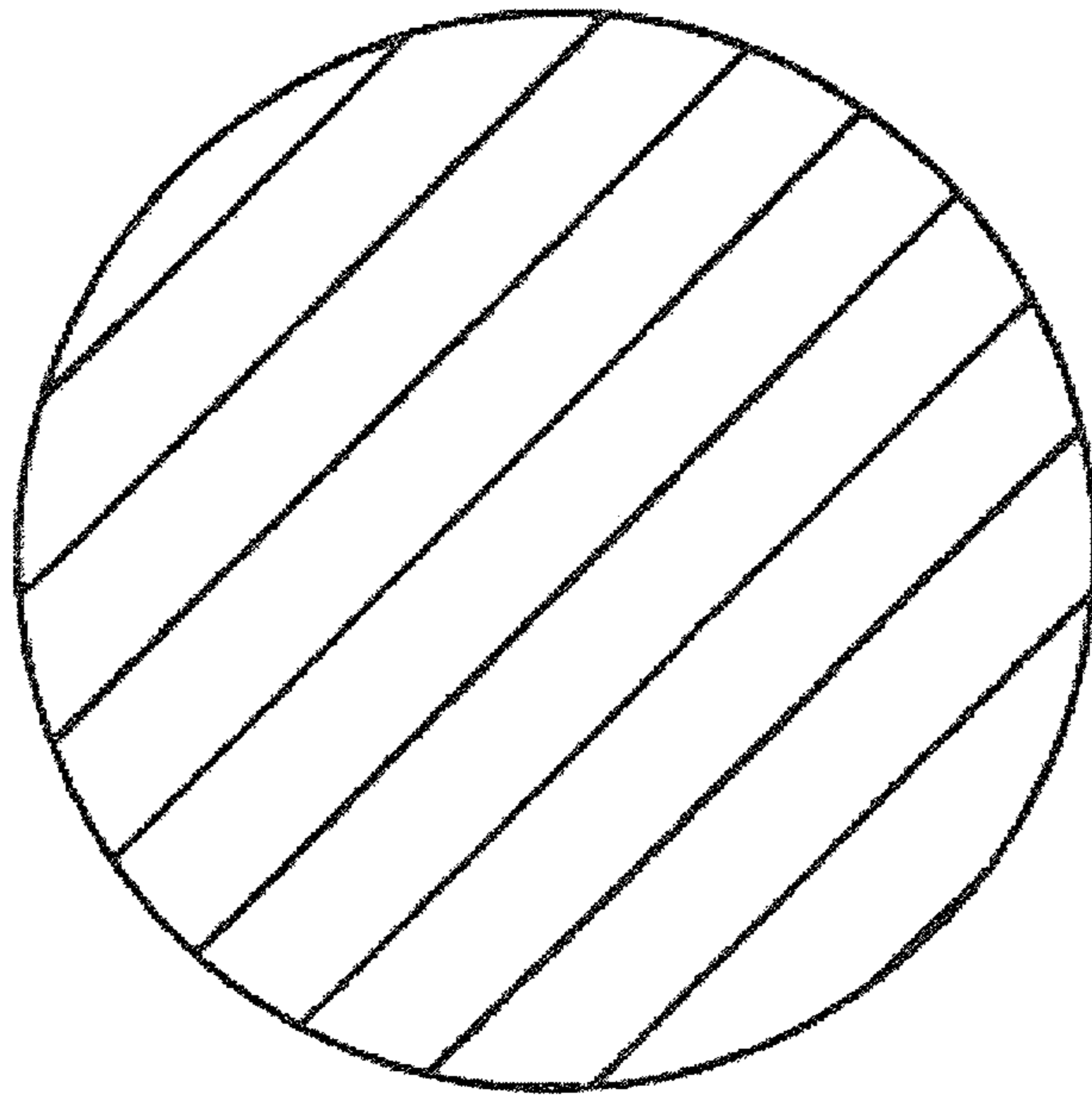


FIG. 8