



US00D723220S

(12) **United States Design Patent**
Guor

(10) **Patent No.:** **US D723,220 S**

(45) **Date of Patent:** **** Feb. 24, 2015**

(54) **COSMETIC BOX**

(71) Applicant: **Kevin Guor**, Chino Hills, CA (US)

(72) Inventor: **Kevin Guor**, Chino Hills, CA (US)

(**) Term: **14 Years**

(21) Appl. No.: **29/466,187**

(22) Filed: **Sep. 5, 2013**

(51) **LOC (10) Cl.** **28-03**

(52) **U.S. Cl.**
USPC **D28/83**

(58) **Field of Classification Search**

CPC A45D 33/006; A45D 33/003; A45D
33/04-33/16; A45D 33/025; A45D 33/02;
A45D 33/20; A45D 33/22; A45D 33/24;
A45D 33/26; A45D 33/28; A45D 33/18;
A45D 40/22; A45D 40/222; A45D 40/24;
A45D 42/02
USPC D28/64.1-64.7, 76-84; 206/581, 823;
132/286-318; D9/503-505, 421, 428,
D9/447; D3/901

See application file for complete search history.

(56) **References Cited**

U.S. PATENT DOCUMENTS

D123,639 S * 11/1940 Rielly D28/84
D480,181 S * 9/2003 Sheng D28/83
D630,380 S * 1/2011 Chen D28/83

* cited by examiner

Primary Examiner — Jennifer Rivard

(74) *Attorney, Agent, or Firm* — Che-Yang Chen; Law
Office of Michael Chen

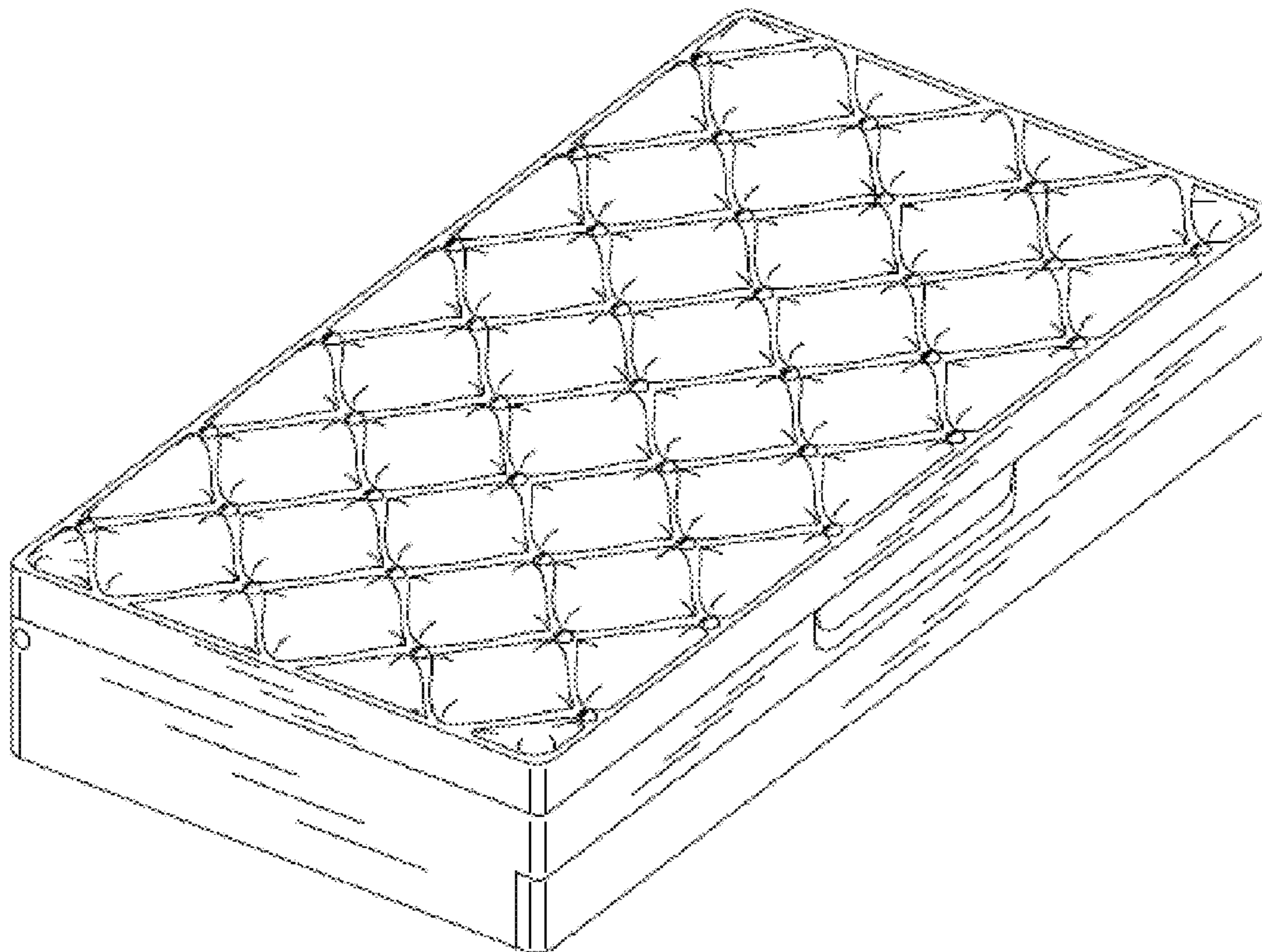
(57) **CLAIM**

The ornamental design for a cosmetic box, as shown and
described.

DESCRIPTION

FIG. 1 is a perspective view of a cosmetic box showing my
new design;
FIG. 2 is a top plan view thereof;
FIG. 3 is a bottom plan view thereof;
FIG. 4 is a front elevational view thereof;
FIG. 5 is a rear elevational view thereof;
FIG. 6 is a right side elevational view thereof;
FIG. 7 is a left side elevational view thereof; and,
FIG. 8 is a perspective schematic view illustrating an appli-
cation of a cosmetic box showing my design.
The broken lines shown in the drawings illustrate portions of
the cosmetic box and form no part of the claimed design.

1 Claim, 8 Drawing Sheets



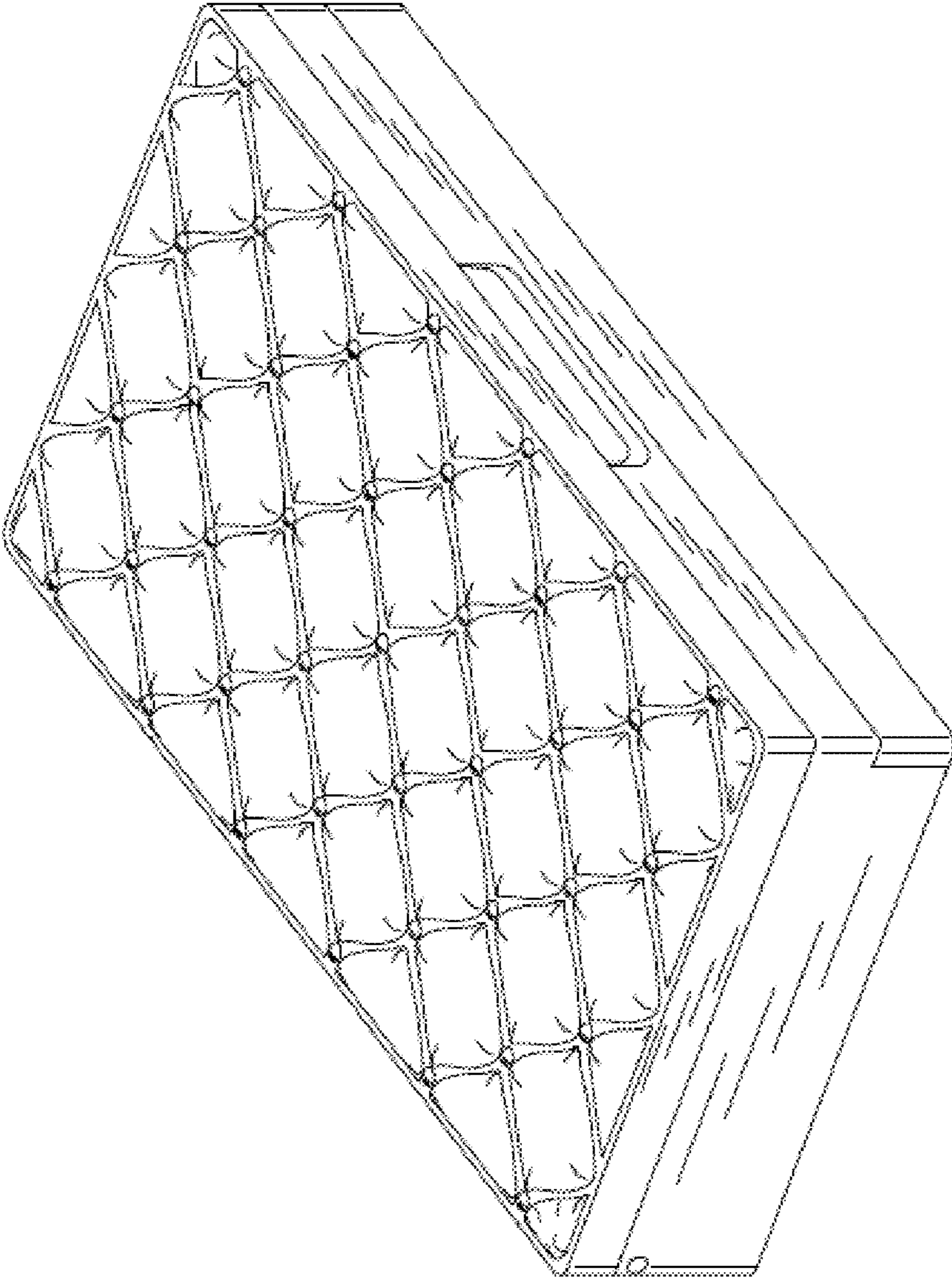


FIG.1

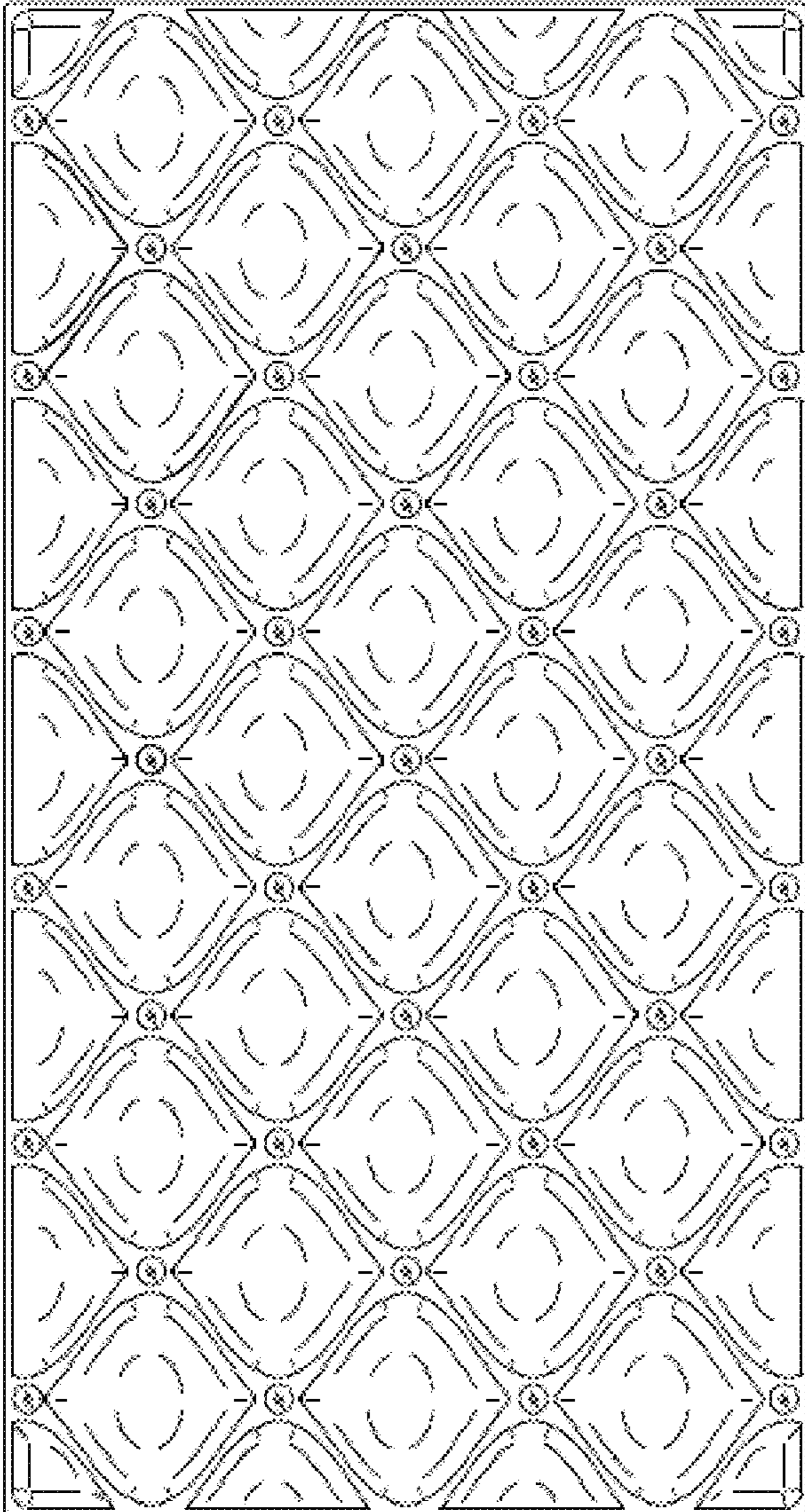


FIG.2

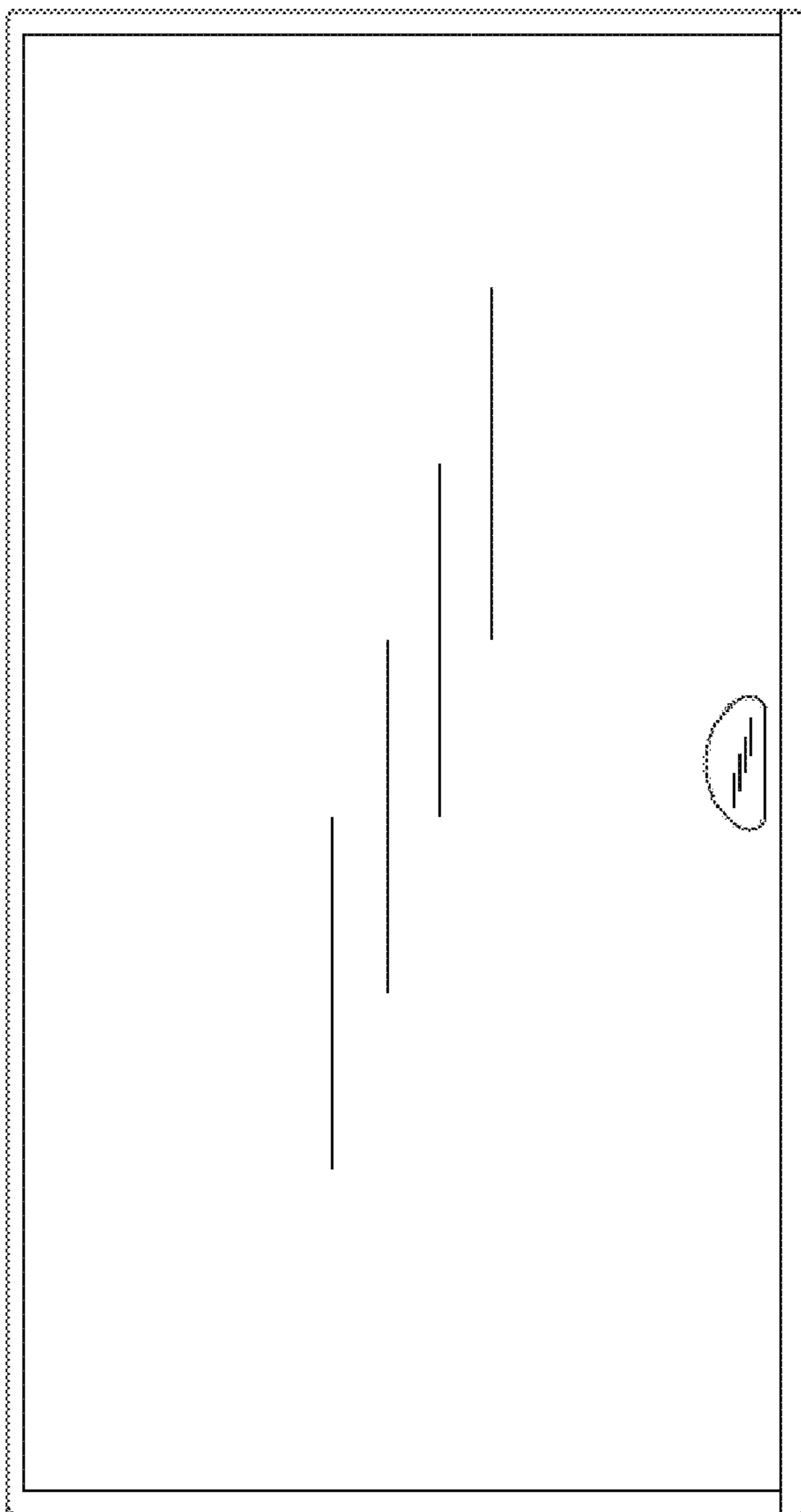


FIG. 3

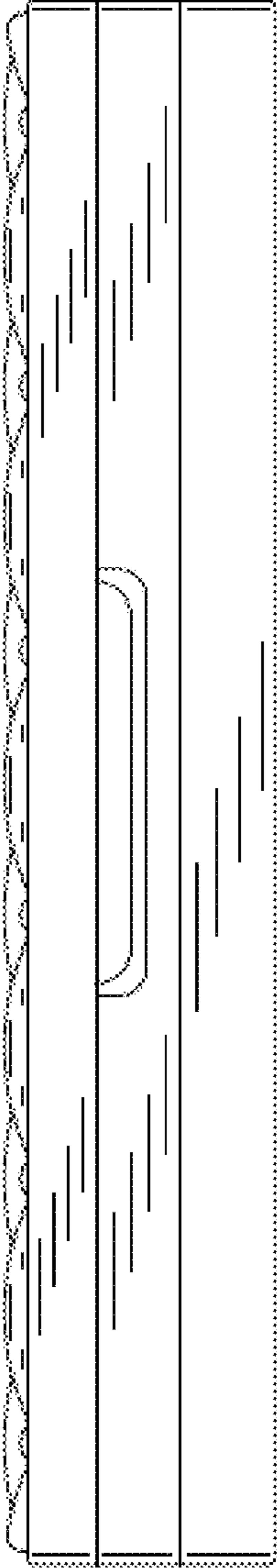


FIG.4

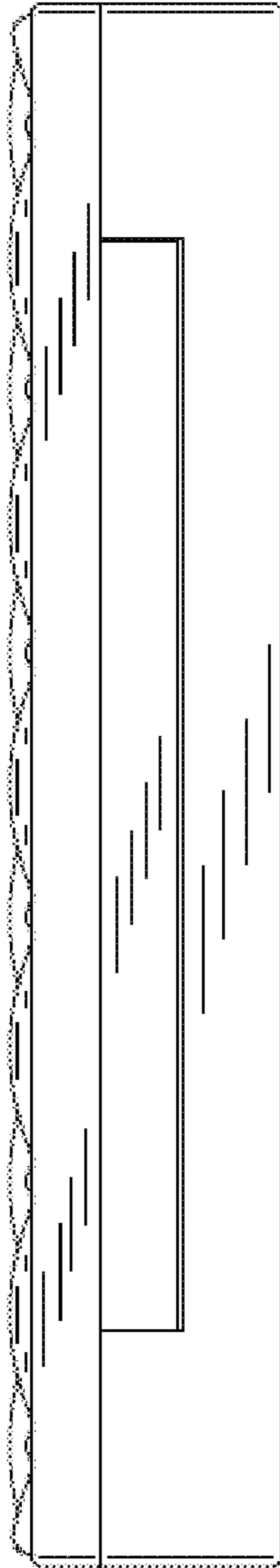


FIG. 5

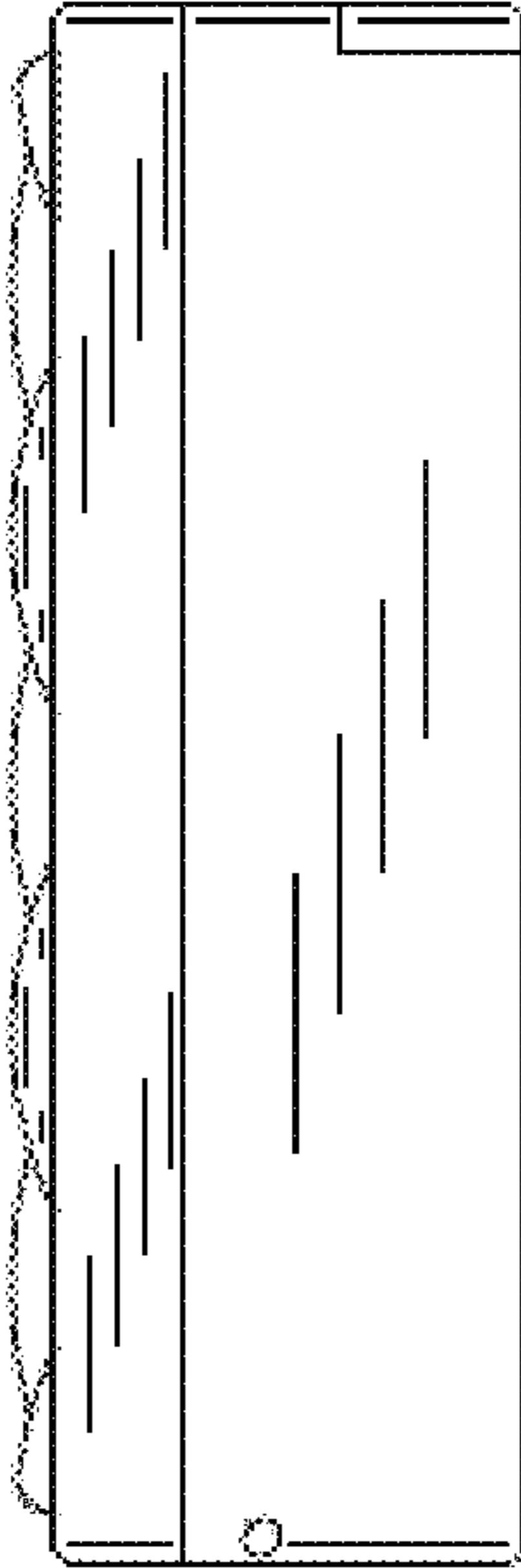


FIG. 6

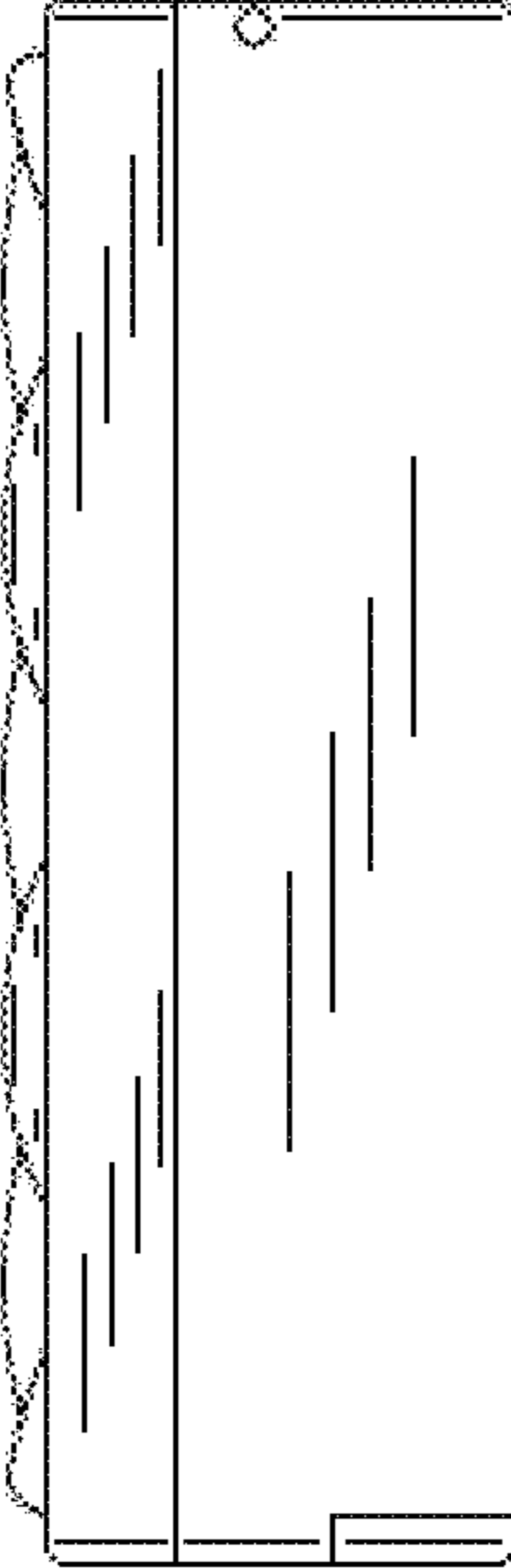


FIG.7

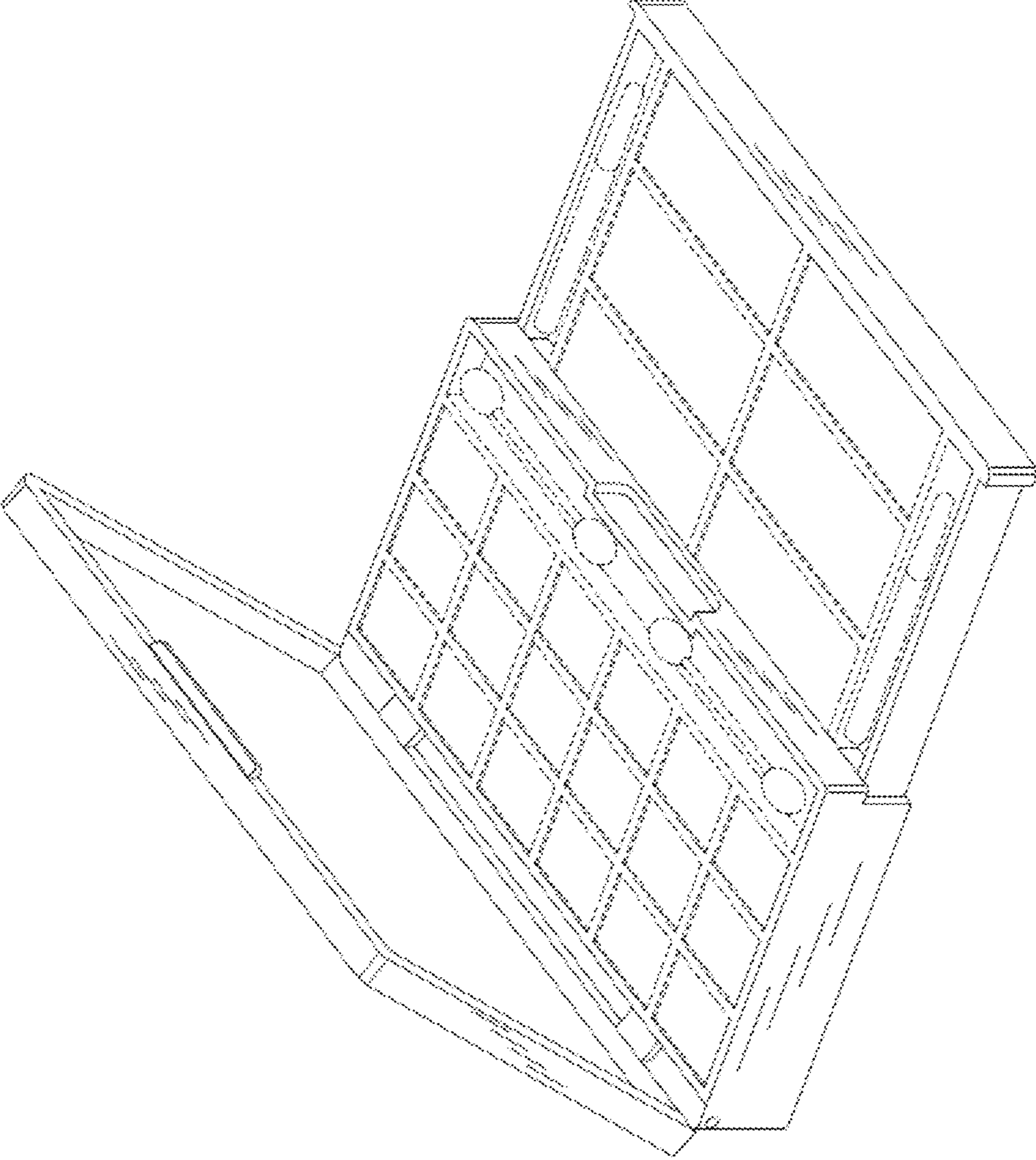


FIG.8