



US00D723218S

(12) **United States Design Patent**
Goswell

(10) **Patent No.:** **US D723,218 S**

(45) **Date of Patent:** **** Feb. 24, 2015**

(54) **HINGED COSMETIC CONTAINER**

(71) Applicant: **HCT Group Holdings Limited**, Santa Monica, CA (US)

(72) Inventor: **Rebecca Louise Goswell**, Richmond (GB)

(73) Assignee: **HCT Group Holdings Limited**, Santa Monica, CA (US)

(**) Term: **14 Years**

(21) Appl. No.: **29/457,577**

(22) Filed: **Jun. 11, 2013**

(51) **LOC (10) Cl.** **28-03**

(52) **U.S. Cl.**
USPC **D28/83**

(58) **Field of Classification Search**
CPC A45D 33/006; A45D 33/003; A45D 33/04-33/16; A45D 33/025; A45D 33/02; A45D 33/20; A45D 33/22; A45D 33/24; A45D 33/26; A45D 33/28; A45D 33/18; A45D 40/22; A45D 40/222; A45D 40/24; A45D 42/02
USPC D28/64.1-64.7, 76-84; 206/581, 823; 132/286-318; D9/503-505, 421, 428, D9/447; D3/901

See application file for complete search history.

(56) **References Cited**

U.S. PATENT DOCUMENTS

D401,017 S * 11/1998 Thorpe D28/78
D462,809 S * 9/2002 LaSpina et al. D28/78
D478,689 S * 8/2003 Thorpe D28/83
D479,016 S * 8/2003 Sgariboldi D28/78

6,923,589 B2 8/2005 Blackwell
D576,770 S * 9/2008 Mascotte et al. D28/83
2004/0200755 A1 * 10/2004 Gueret 206/581
2007/0029226 A1 * 2/2007 Yuhara et al. 206/581
2010/0008074 A1 * 1/2010 Kang 362/154
2012/0282008 A1 11/2012 Geuther et al.
2013/0121748 A1 5/2013 Ramirez

* cited by examiner

Primary Examiner — Jennifer Rivard

(74) *Attorney, Agent, or Firm* — Lee & Hayes, PLLC

(57) **CLAIM**

The ornamental design for a hinged cosmetic container, as shown and described.

DESCRIPTION

FIG. 1 is a perspective view of a hinged cosmetic container; FIG. 2 is a front elevation view of the hinged cosmetic container of FIG. 1;

FIG. 3 is a back elevation view of the hinged cosmetic container of FIG. 1;

FIG. 4 is a left-side elevation view of the hinged cosmetic container of FIG. 1, the right-side elevation view being a mirror image of the left-side elevation view;

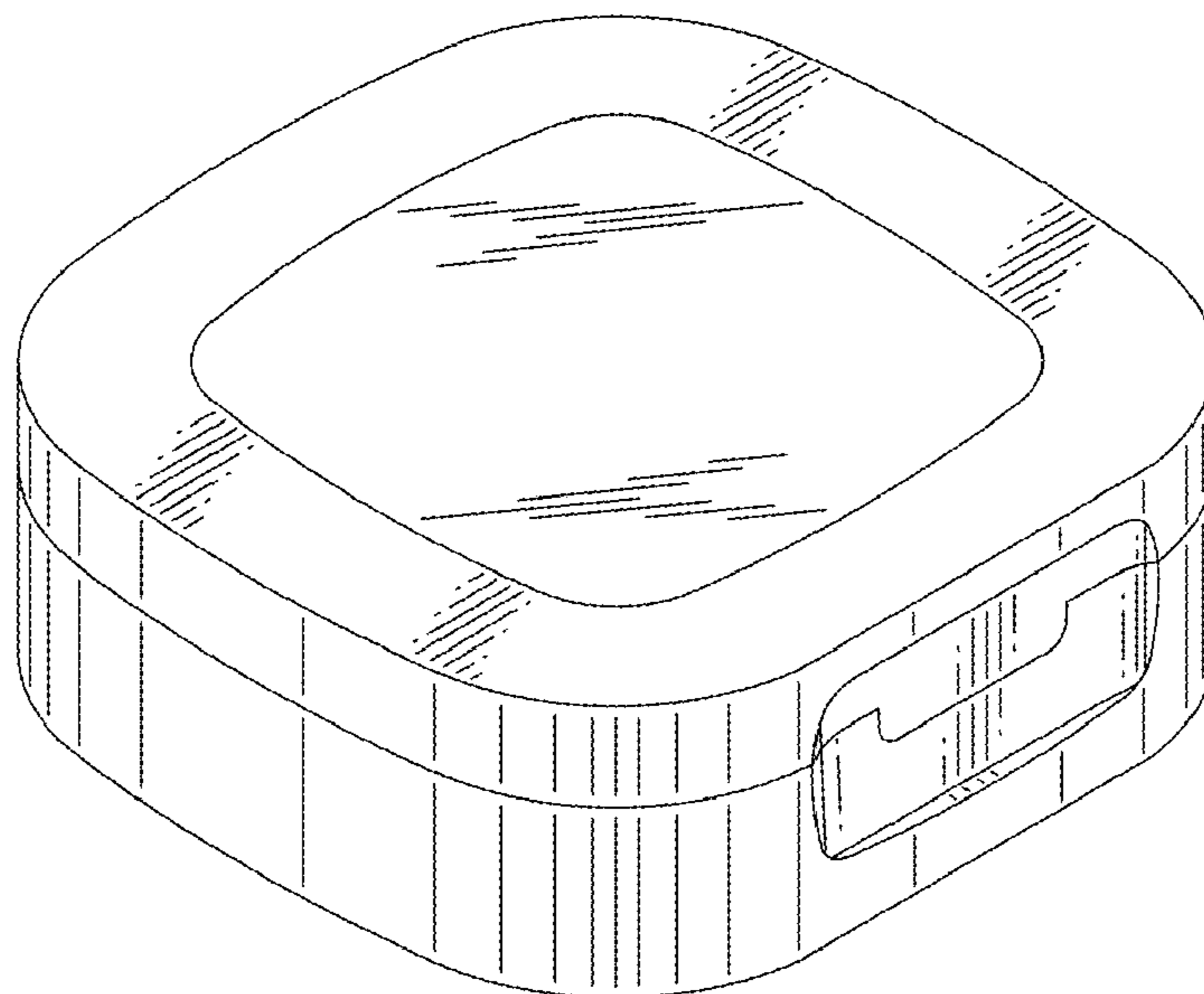
FIG. 5 is a top plan view of the hinged cosmetic container of FIG. 1; and,

FIG. 6 is a bottom plan view of the hinged cosmetic container of FIG. 1.

The interior portion that would be visible through the transparent portion of the top of the hinged cosmetic container does no form part of the claimed design and has been omitted accordingly.

The broken lines form no part of the claimed design. The claimed design extends to the broken line boundary in FIGS. 3 and 4, but does not include the boundary or the area within the boundary.

1 Claim, 2 Drawing Sheets



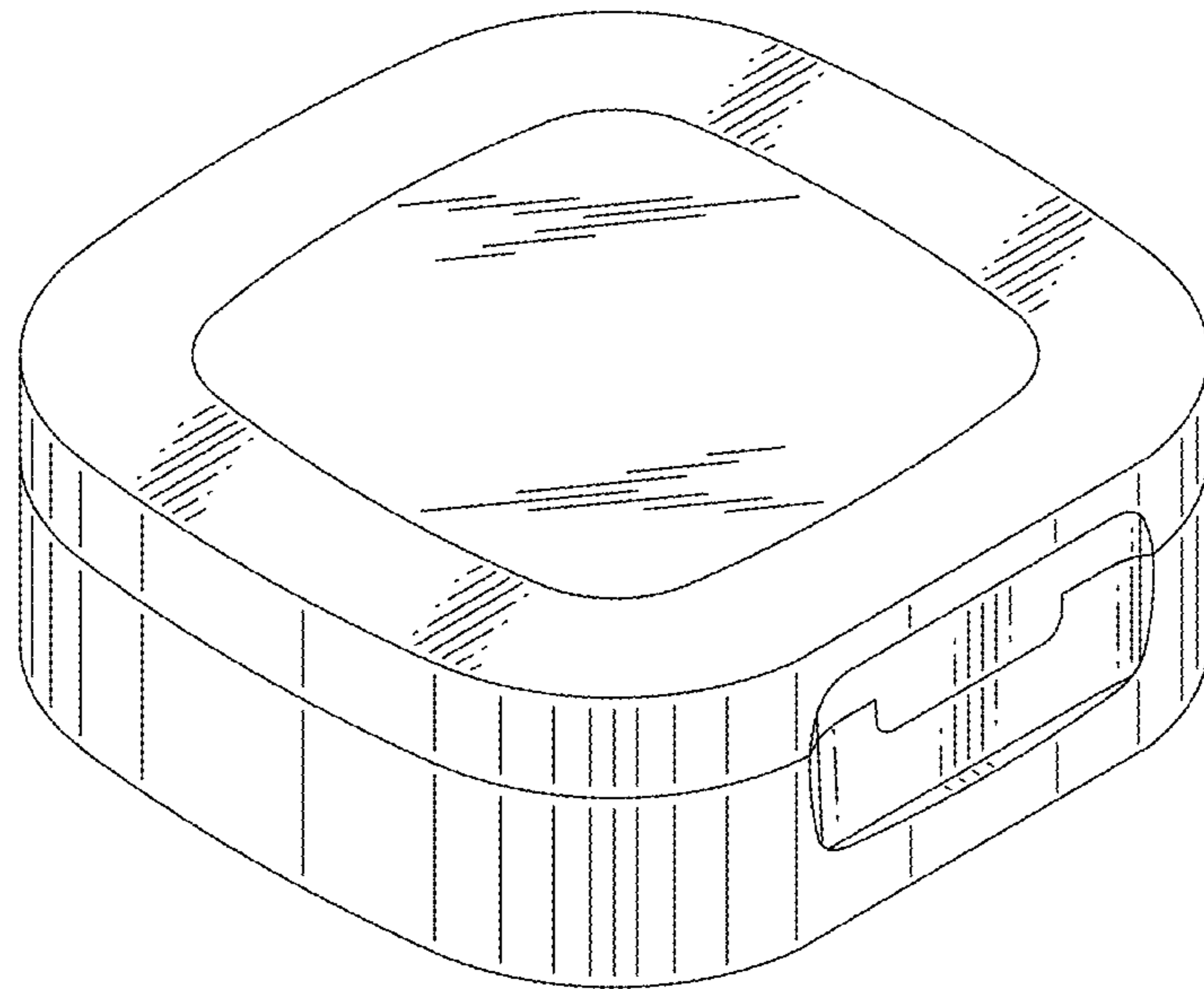


FIG. 1

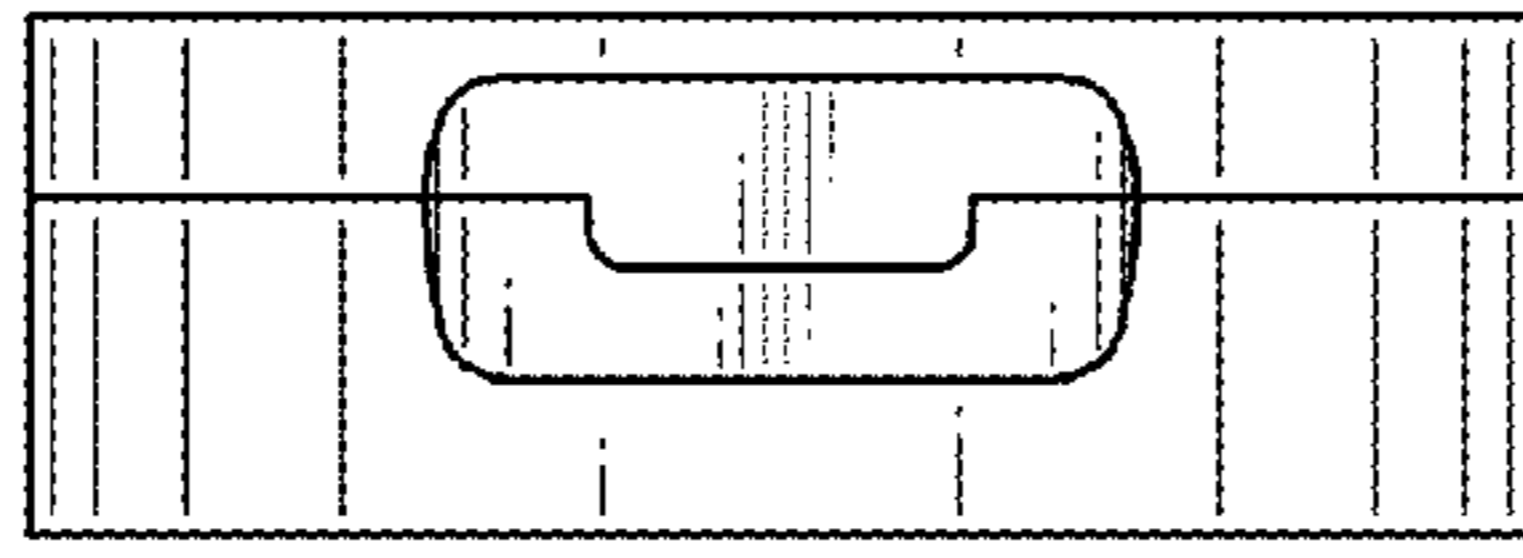


FIG. 2

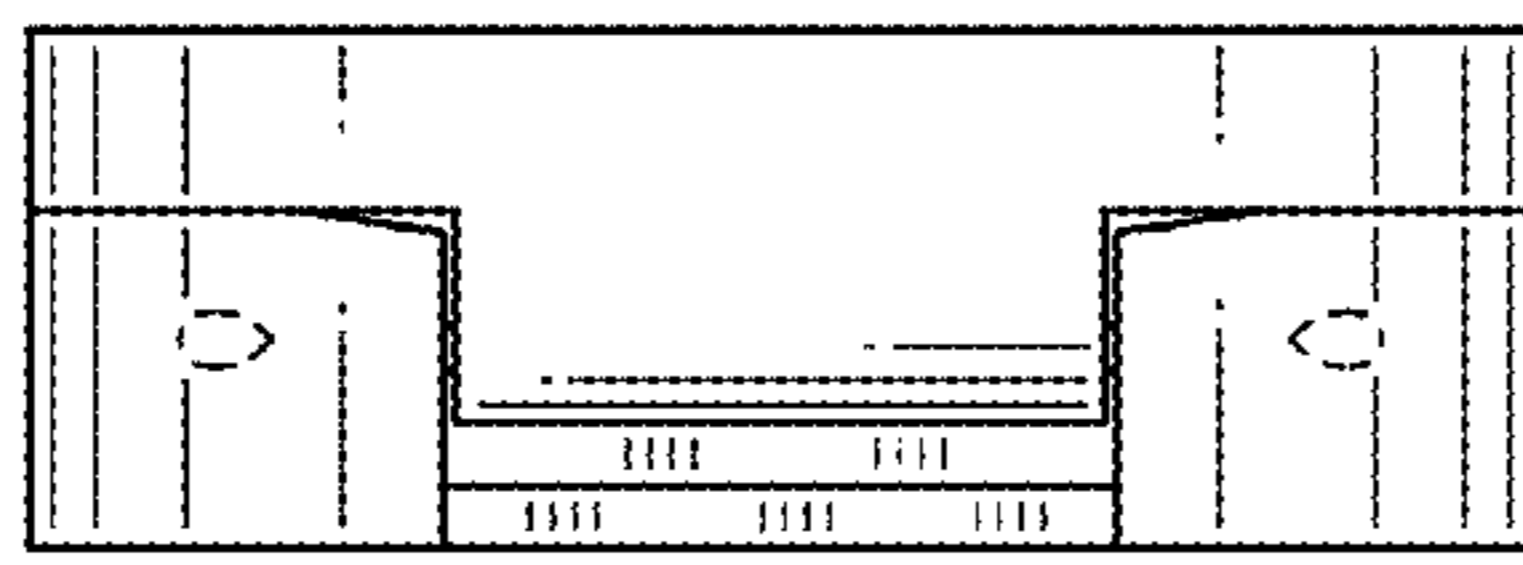


FIG. 3

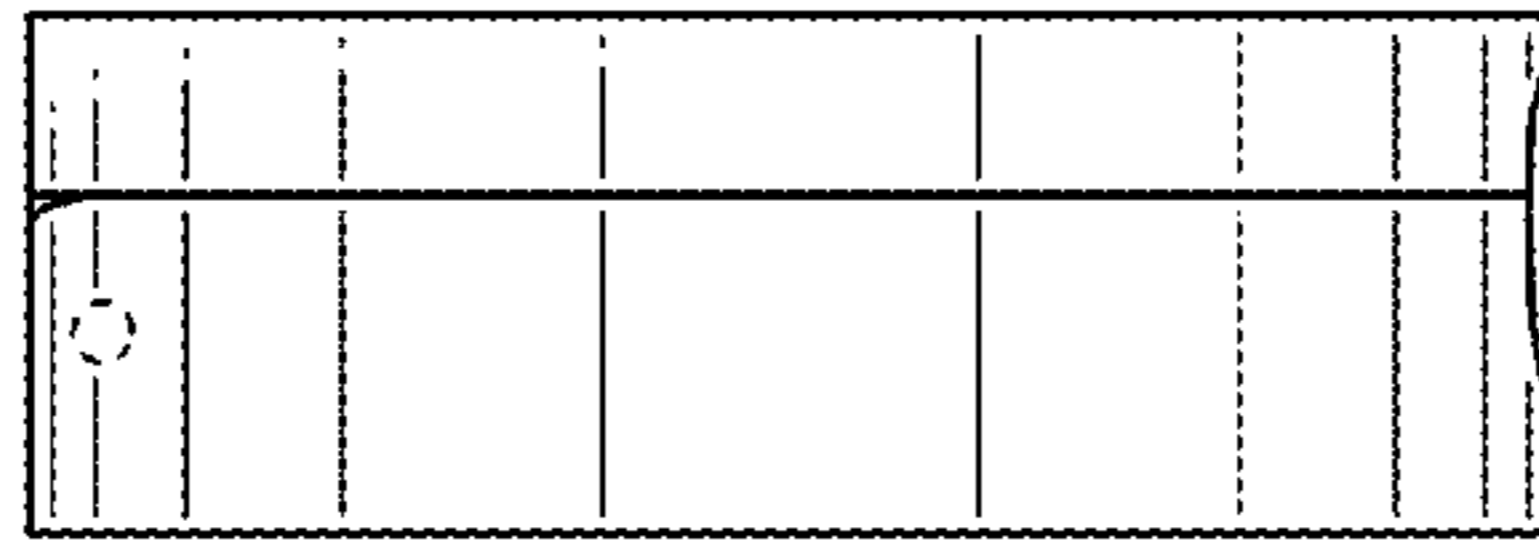


FIG. 4

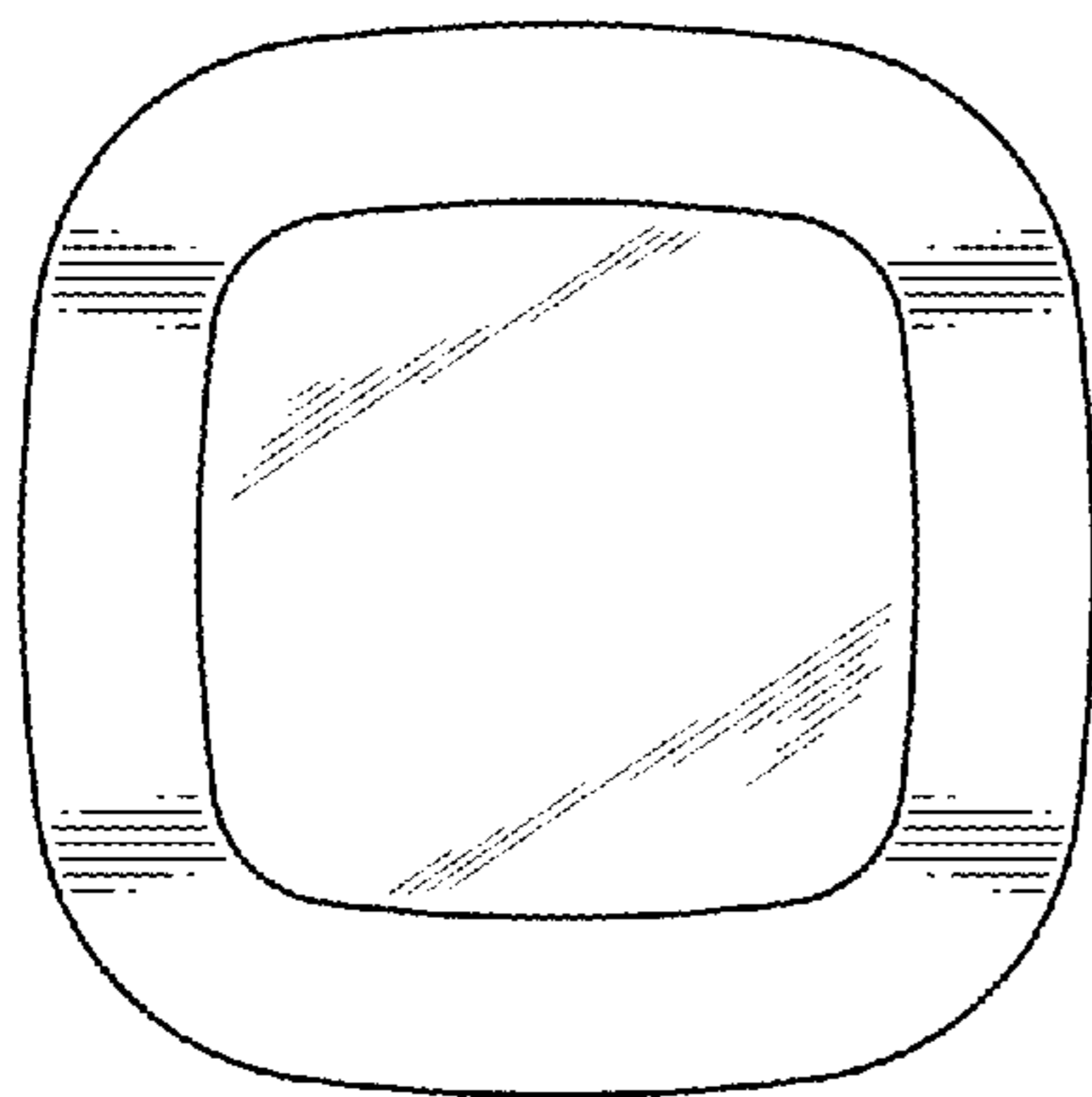


FIG. 5

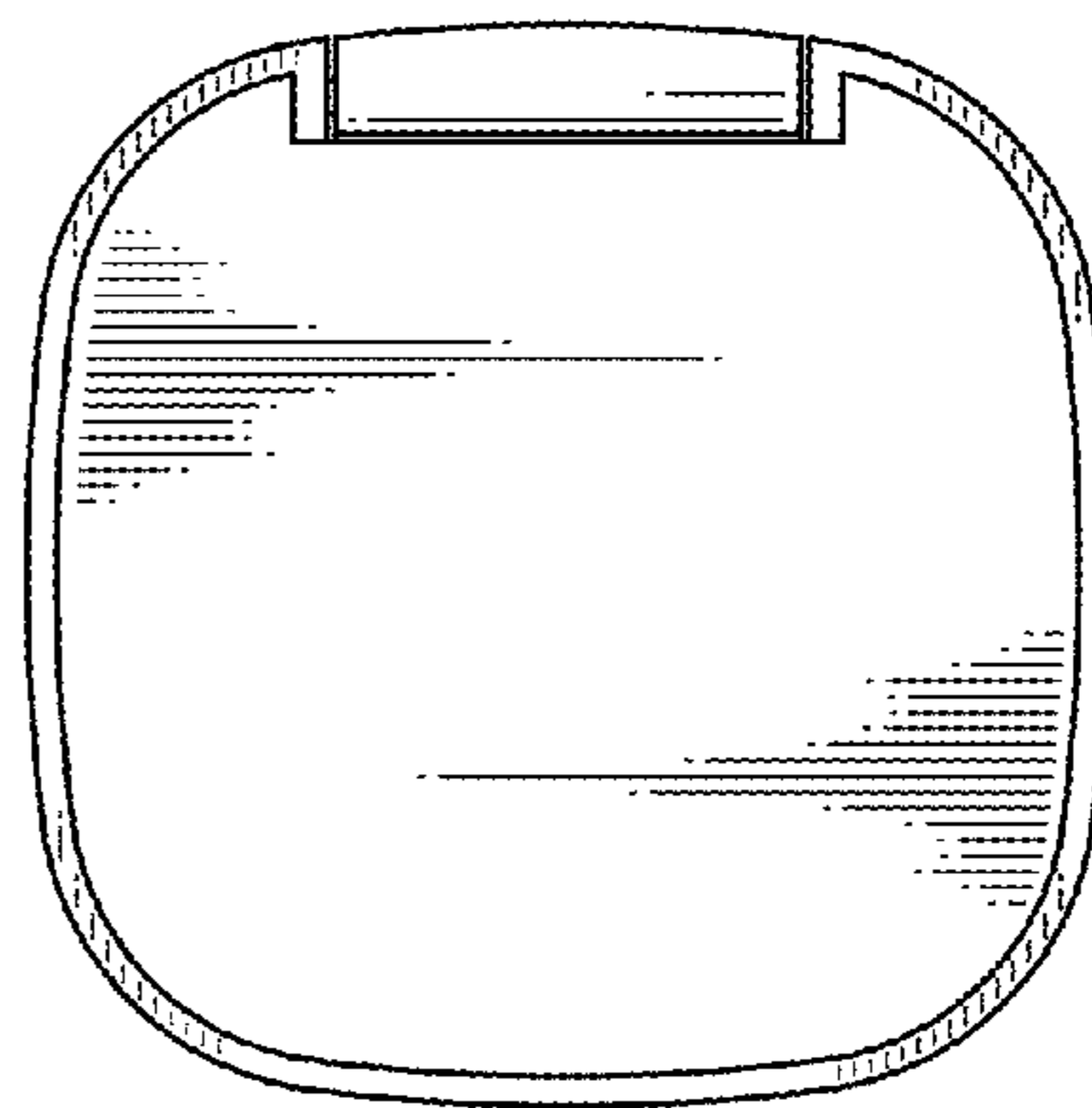


FIG. 6