

US00D723217S

(12) **United States Design Patent**
Wong

(10) **Patent No.:** **US D723,217 S**

(45) **Date of Patent:** **** Feb. 24, 2015**

(54) **MULTI-FUNCTIONAL SHAVER**

(56) **References Cited**

(71) Applicant: **Global Care Group Ltd.**, Hong Kong
(CN)

U.S. PATENT DOCUMENTS

(72) Inventor: **Man Wu Sunny Wong**, Hong Kong
(CN)

D571,040 S *	6/2008	Seki et al.	D28/44.1
D577,864 S *	9/2008	Kitagawa et al.	D28/53
D589,649 S *	3/2009	Tamsiran	D28/44.1
D621,546 S *	8/2010	Aulwes et al.	D28/53
D648,484 S *	11/2011	Geiger	D28/53
D675,376 S *	1/2013	Beedham	D28/44.1

(73) Assignee: **Global Care Group Ltd.**, Kowloon Bay,
Kowloon (HK)

* cited by examiner

(**) Term: **14 Years**

Primary Examiner — Jennifer Rivard

(21) Appl. No.: **29/492,973**

(74) *Attorney, Agent, or Firm* — Muncy, Geissler, Olds & Lowe, P.C.

(22) Filed: **Jun. 4, 2014**

(57) **CLAIM**

The ornamental design for a multi-functional shaver, as shown and described.

(30) **Foreign Application Priority Data**

DESCRIPTION

Dec. 4, 2013 (EM) 002364117-0001

(51) **LOC (10) Cl.** **28-03**

(52) **U.S. Cl.**
USPC **D28/51; D28/54**

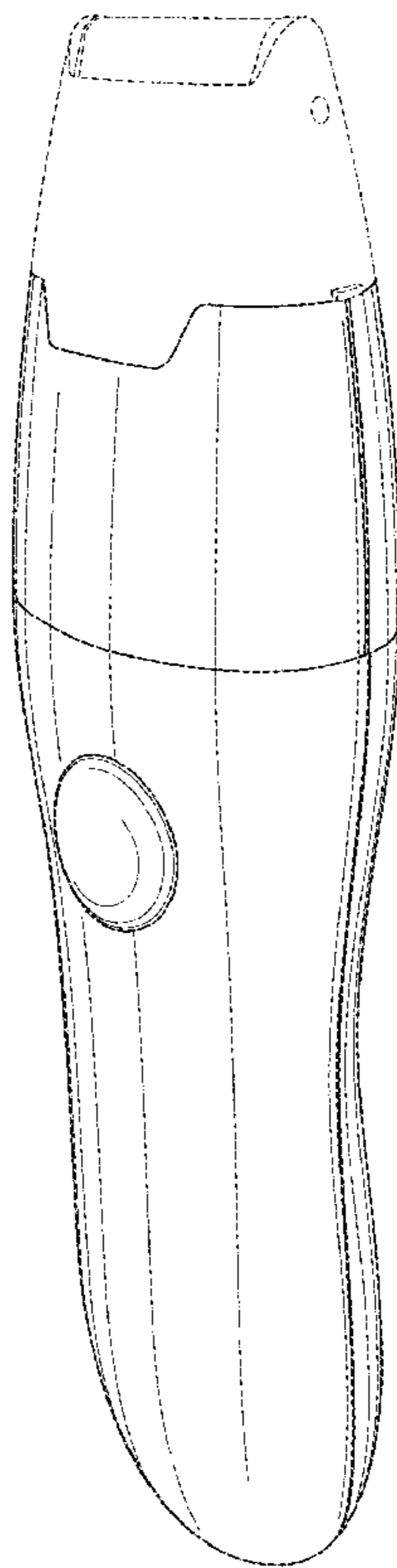
(58) **Field of Classification Search**
USPC D28/49-54, 44-48; 30/34.05, 32, 34.1,
30/34.2, 43-43.92, 29.5, 526-527, 44-45,
30/341, 226-227, 231, 233-233.5, 537

FIG. 1 is a front, right perspective view of a multi-functional shaver showing my new design;
FIG. 2 is a front elevational view thereof;
FIG. 3 is a rear elevational view thereof;
FIG. 4 is a left side view thereof;
FIG. 5 is a right side view thereof;
FIG. 6 is a top plan view thereof; and,
FIG. 7 is a bottom plan view thereof.

The broken line showing is for the purpose of illustrating environment structure and forms no part of the claimed design.

See application file for complete search history.

1 Claim, 4 Drawing Sheets



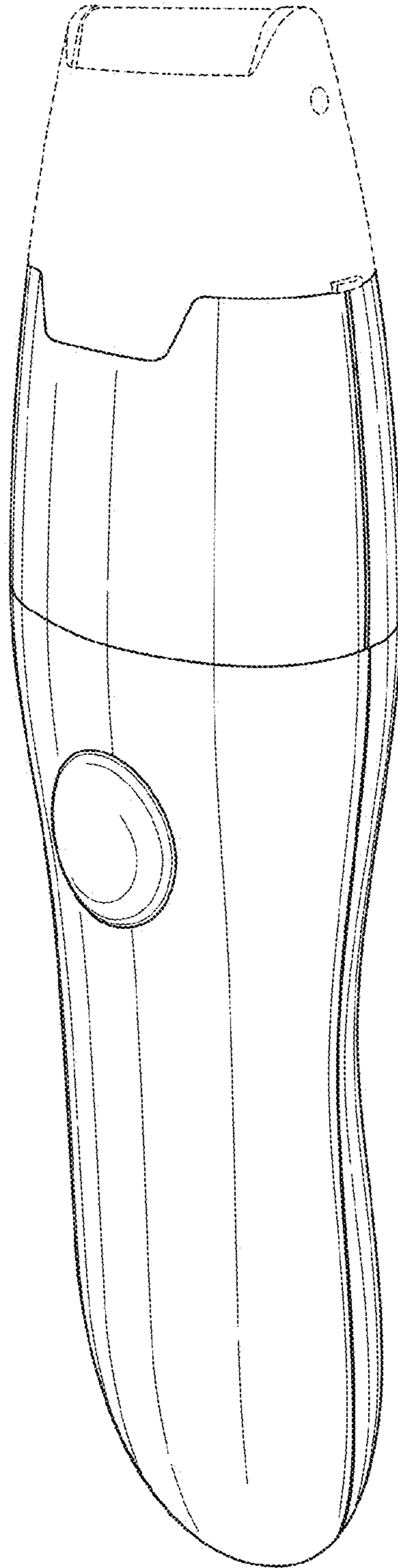


FIG. 1

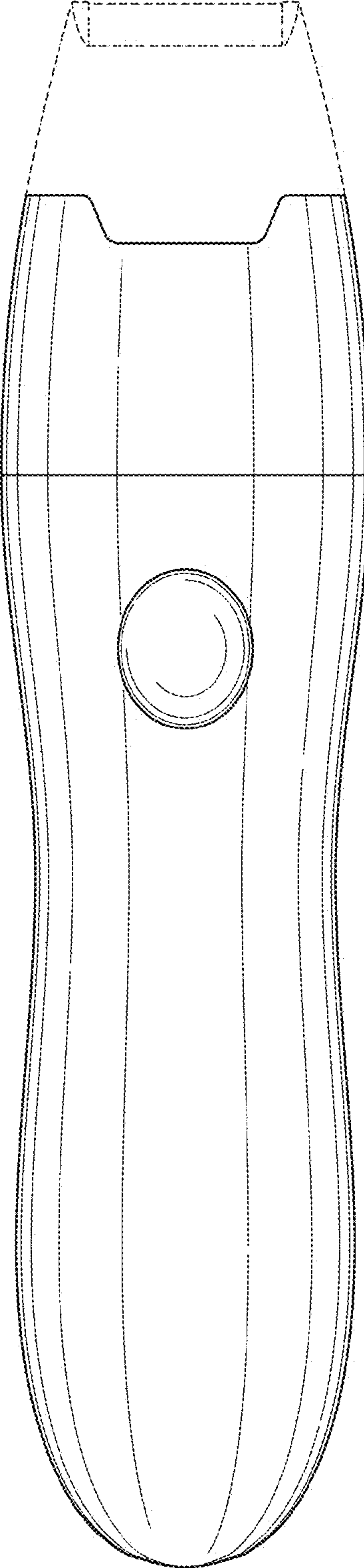


FIG. 2

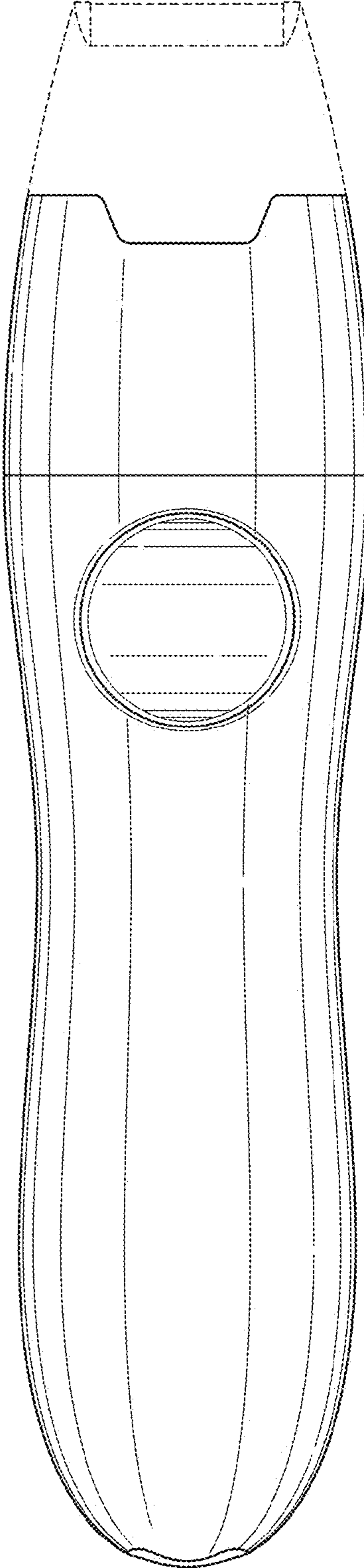


FIG. 3

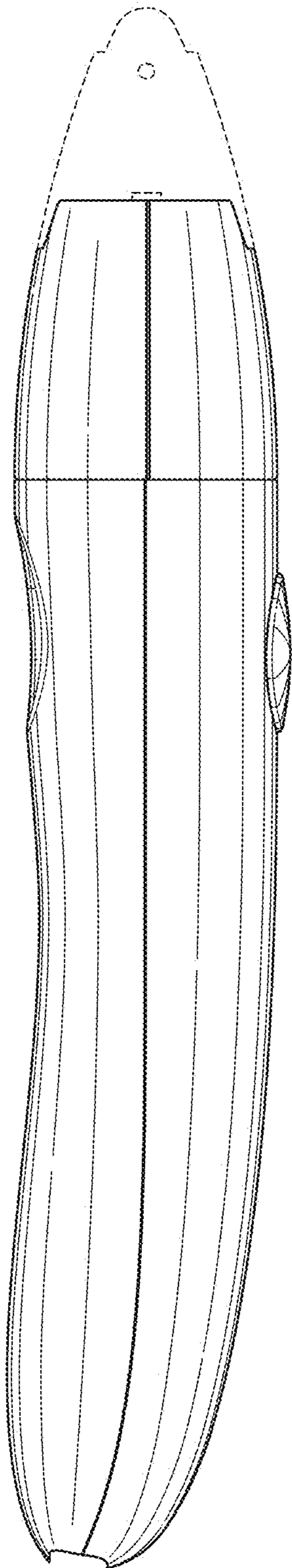


FIG. 4

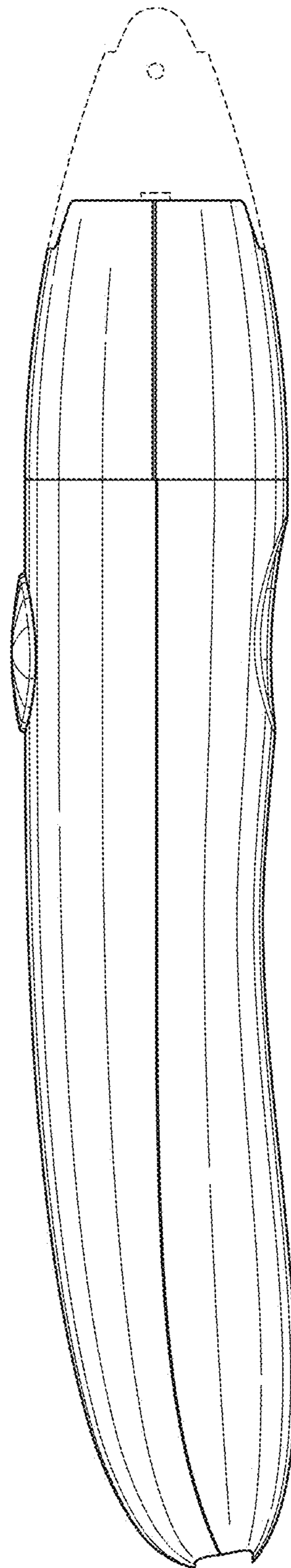


FIG. 5

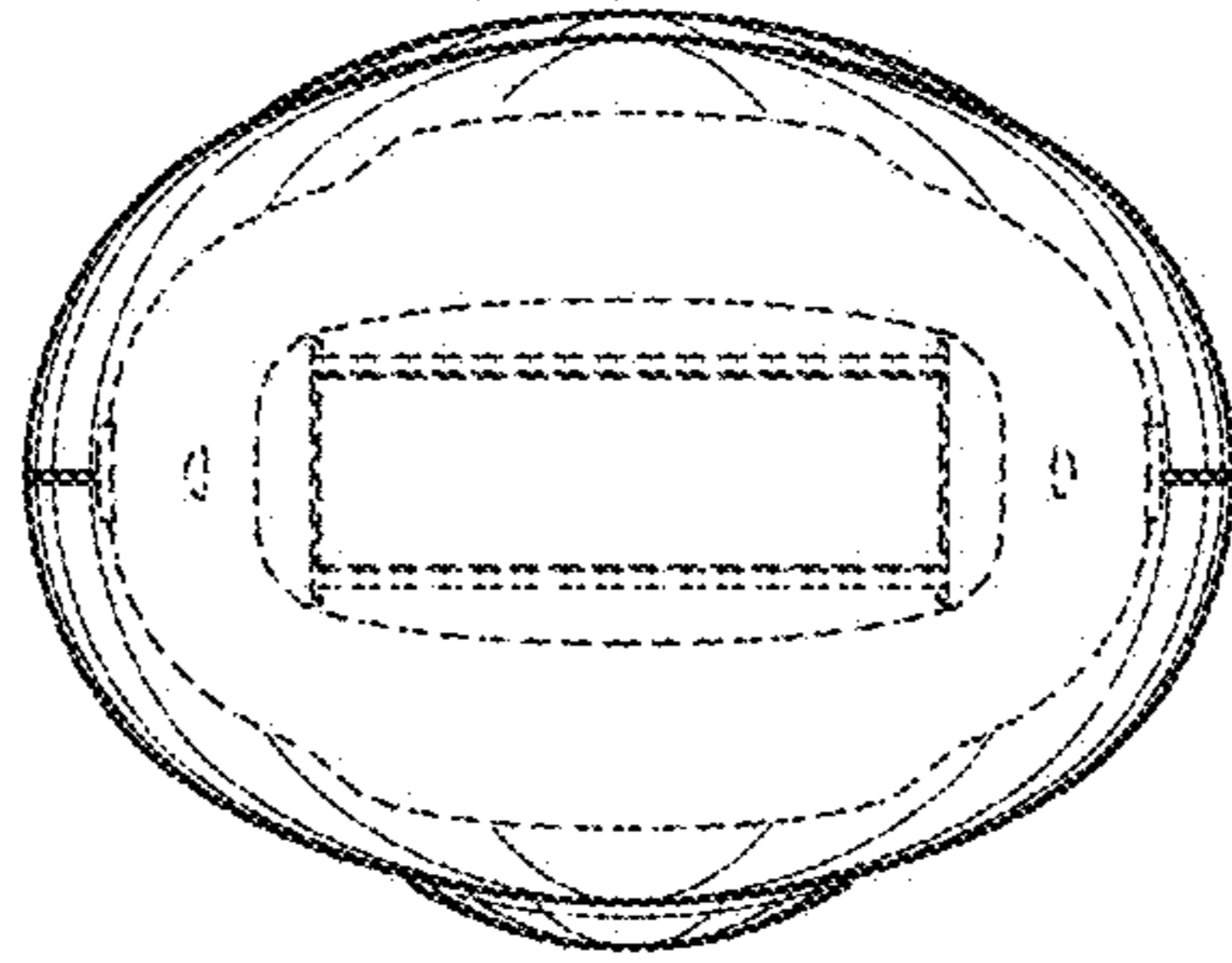


FIG. 6

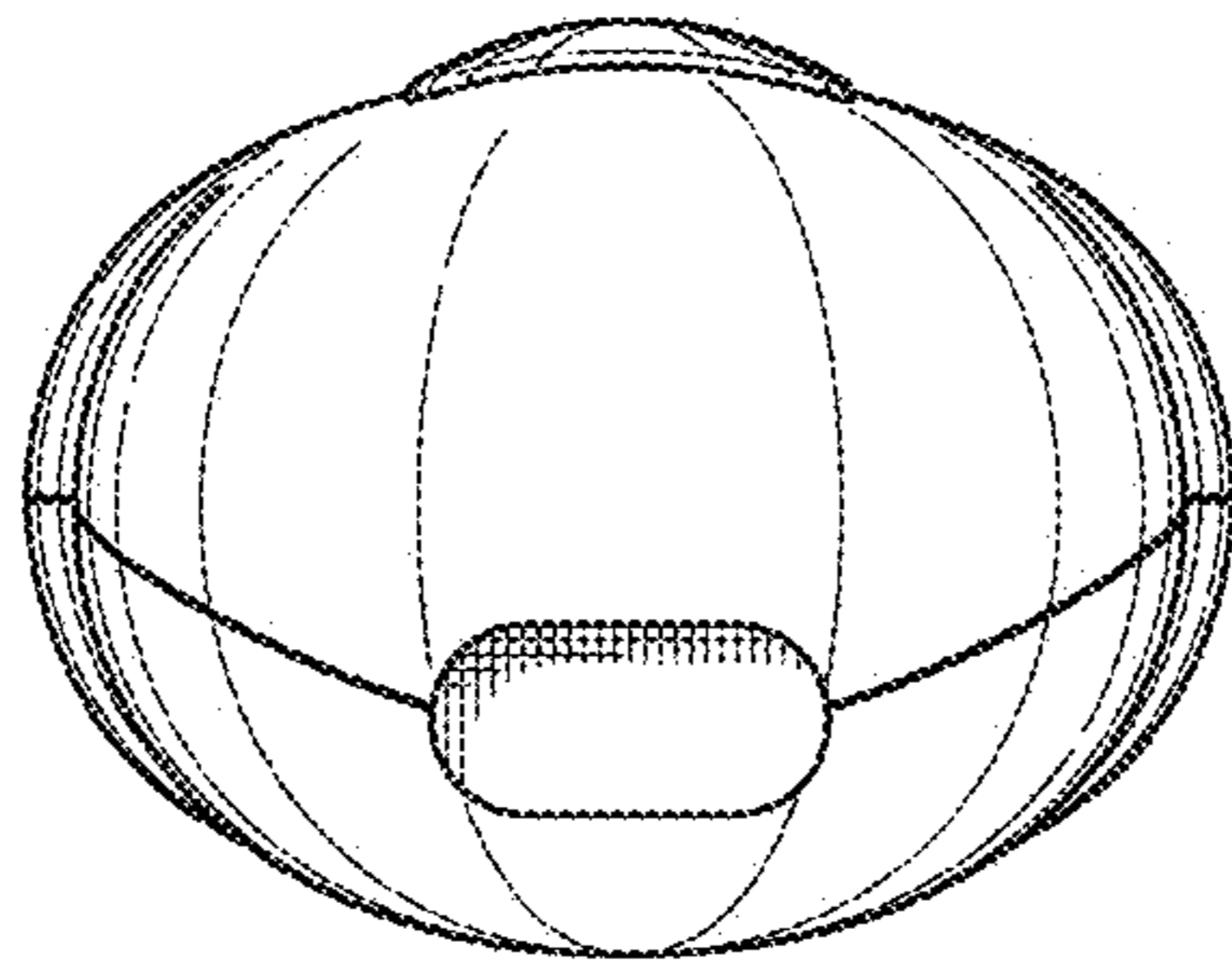


FIG. 7