



US00D723216S

(12) **United States Design Patent**
Chen

(10) **Patent No.:** **US D723,216 S**
(45) **Date of Patent:** **** Feb. 24, 2015**

- (54) **ELECTRONIC SMOKE DEVICE**
- (71) Applicant: **Shenzhen Smiss Technology Co., Ltd**,
Baoan District, Shenzhen (CN)
- (72) Inventor: **Jiatai Chen**, Shenzhen (CN)
- (73) Assignee: **Shenzhen Smiss Technology Co., Ltd**,
Shenzhen (CN)
- (**) Term: **14 Years**
- (21) Appl. No.: **29/478,278**
- (22) Filed: **Jan. 3, 2014**
- (51) **LOC (10) Cl.** **27-01**
- (52) **U.S. Cl.**
USPC **D27/101; D27/163**
- (58) **Field of Classification Search**
CPC A24F 1/02; A24F 1/04; A24F 1/06;
A24F 1/08; A24F 1/10; A24F 1/12; A24F
1/14; A24F 1/22; A24F 9/16; A24F
47/002–47/008; A24F 1/30; A24F 47/00
USPC D27/100–101, 106, 143, 152, 161–172,
D27/183–184, 187, 189, 190, 193–194;
131/220–222, 226, 173, 174, 194,
131/328–330, 270, 273; D7/584, 585;
D9/500, 502; D11/143, 144, 146, 152;
D24/110.5, 110
See application file for complete search history.

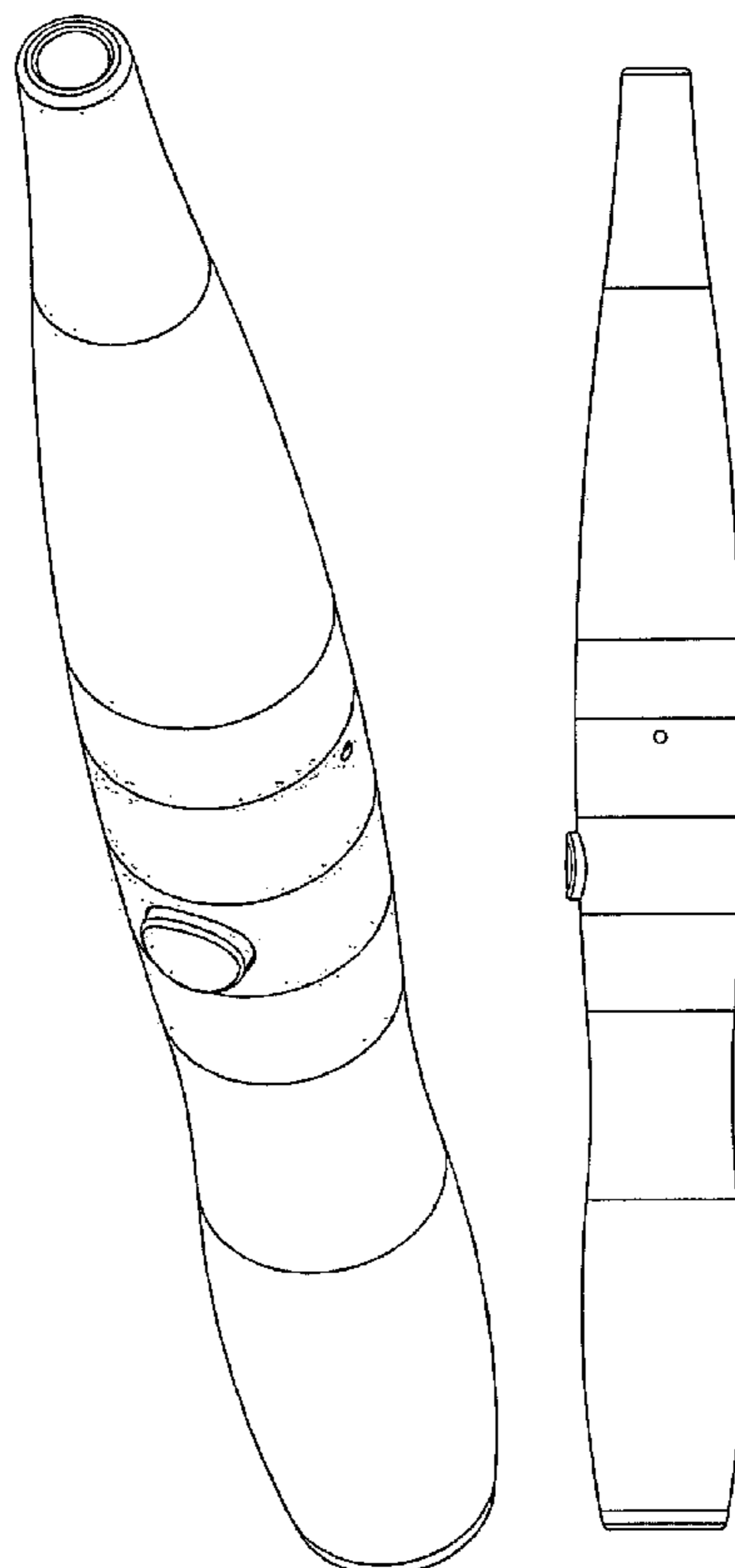
- (56) **References Cited**
U.S. PATENT DOCUMENTS
D644,375 S * 8/2011 Zhou D27/101
D653,803 S * 2/2012 Timmermans D27/163
D688,415 S * 8/2013 Kim D27/101
D688,416 S * 8/2013 Liu D27/101
D693,053 S * 11/2013 Chen D27/101
D694,468 S * 11/2013 Chen D27/101
D695,450 S * 12/2013 Benassayag et al. D27/163
2013/0068239 A1 * 3/2013 Youn 131/273
2013/0152922 A1 * 6/2013 Benassayag et al. 128/202.21
2013/0333711 A1 * 12/2013 Liu 131/329
* cited by examiner

Primary Examiner — Susan Bennett Hattan
Assistant Examiner — Janice Hallmark

(57) **CLAIM**
The ornamental design for an electronic smoke device, as shown.

DESCRIPTION
Fig. 1 is the perspective view of the electronic smoke device showing my new design;
Fig. 2 is the left side view thereof;
Fig. 3 is the right side view thereof;
Fig. 4 is the top plan view thereof;
Fig. 5 is the bottom plan view thereof;
Fig. 6 is the front elevational view thereof; and,
Fig. 7 is the rear elevational view thereof.

1 Claim, 7 Drawing Sheets



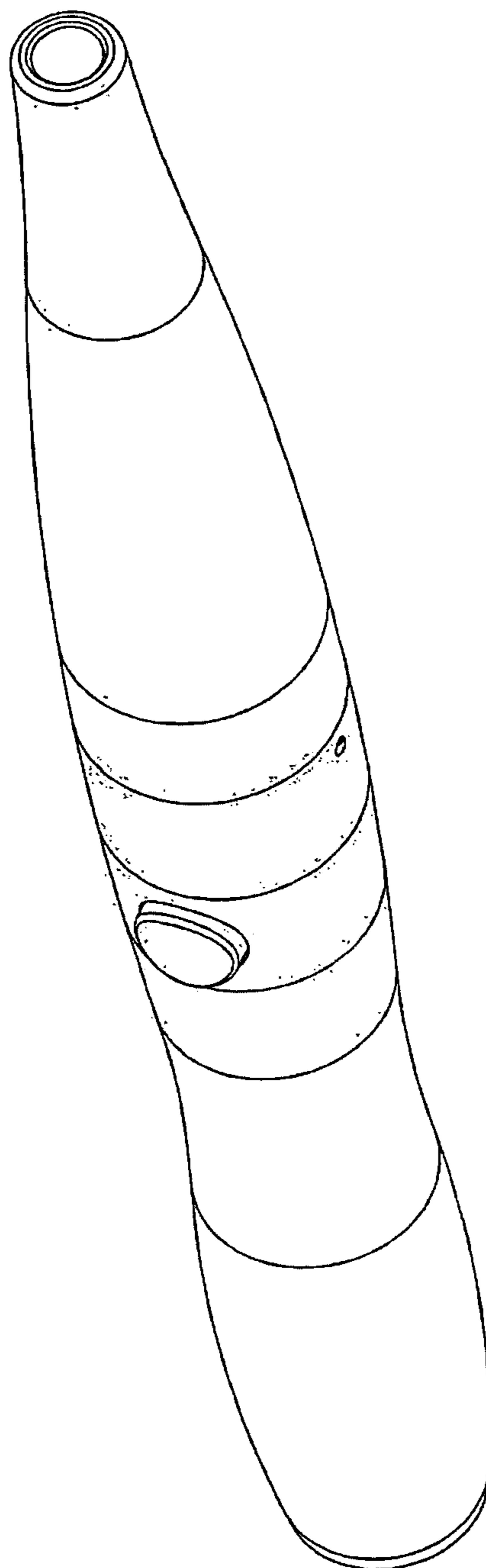


Fig. 1

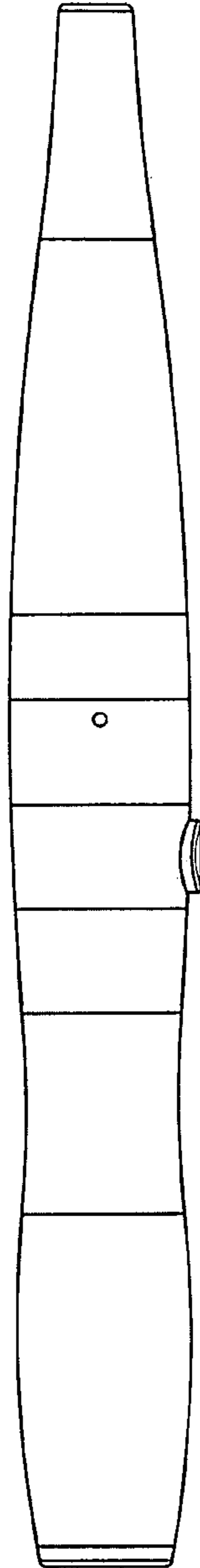


Fig. 2

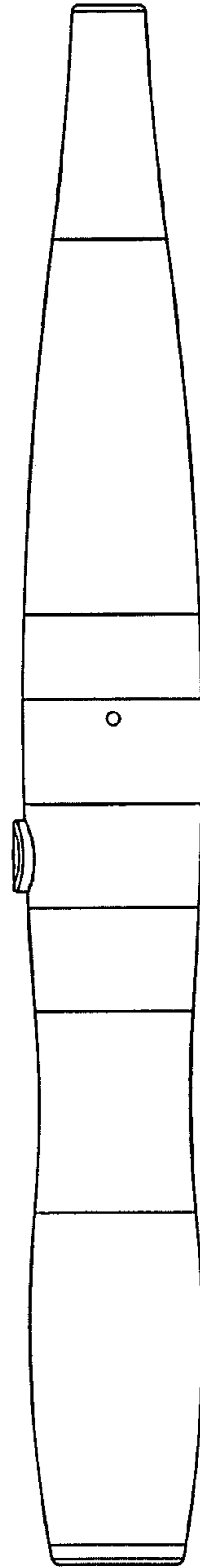


Fig. 3

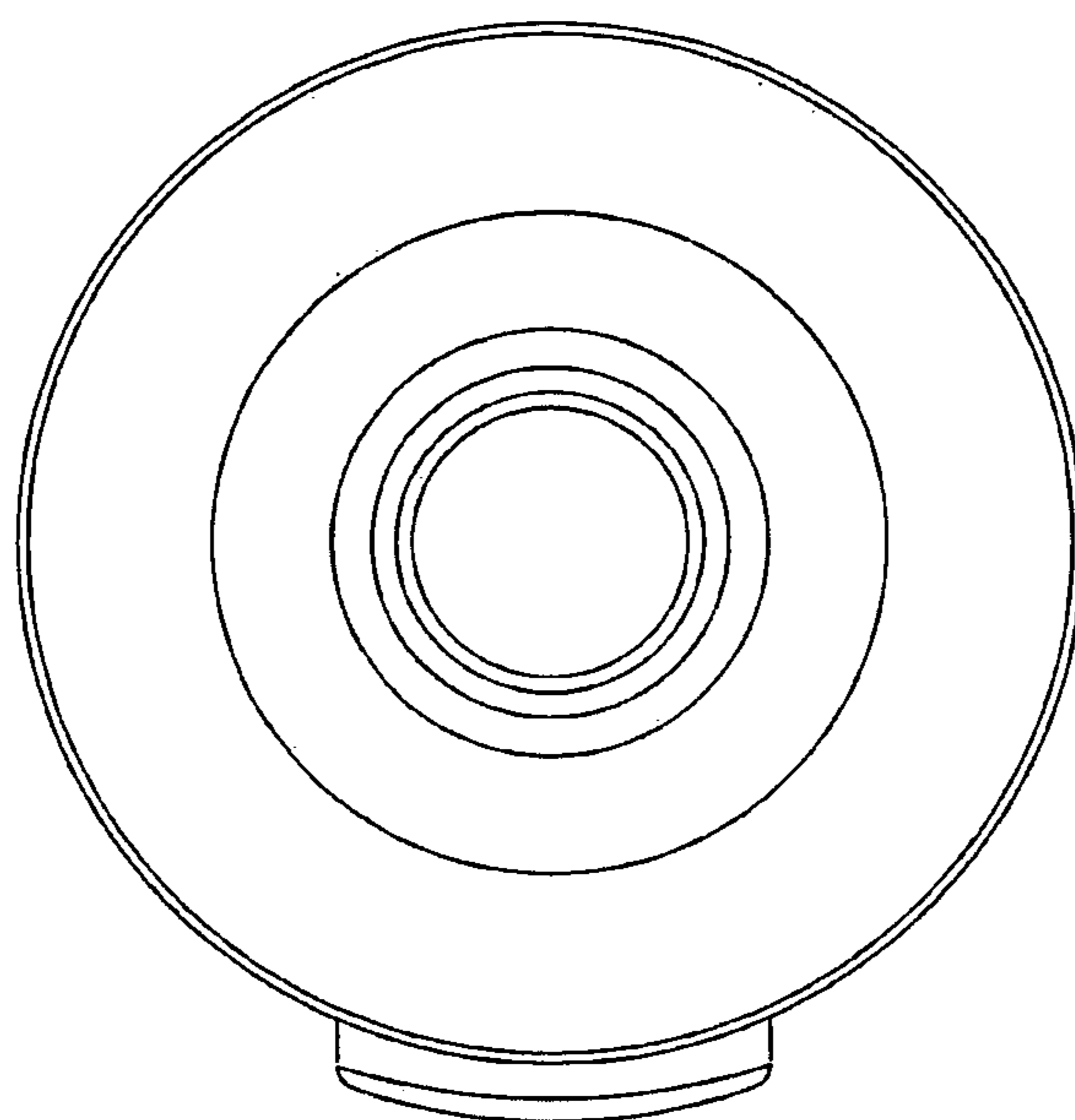


Fig. 4

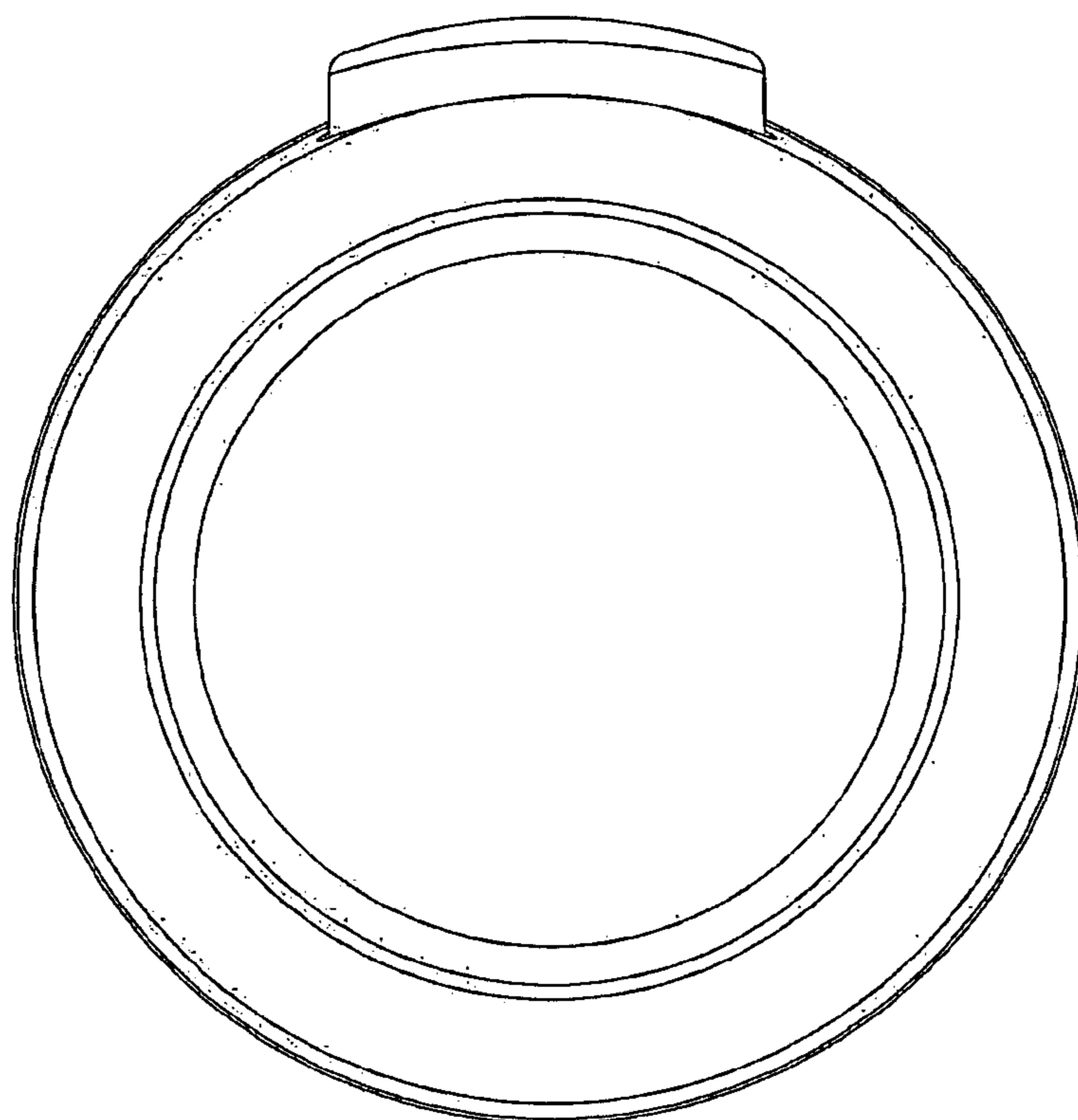


Fig. 5

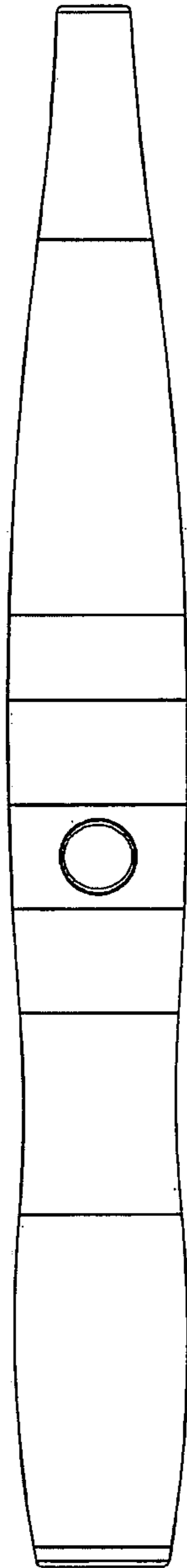


Fig. 6

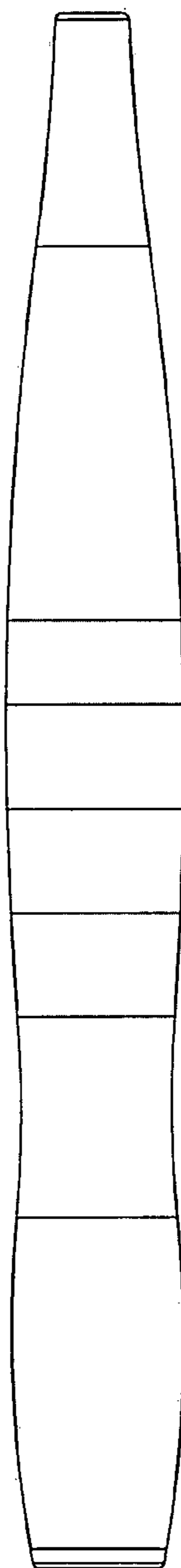


Fig. 7