



US00D723214S

(12) **United States Design Patent**
Wang et al.

(10) **Patent No.:** **US D723,214 S**
(45) **Date of Patent:** **** Feb. 24, 2015**

(54) **Z-SHAPED LAMP PANEL**

(71) Applicant: **General Luminaire Co., Ltd.**, Taipei (TW)
(72) Inventors: **Yung-Hong Wang**, Taipei (TW);
Huan-Huan Wei, Shandong (CN);
David Fitzgerald, London (GB); **Marcel Nierhoff**, Fröndenberg (DE)

(**) Term: **14 Years**

(21) Appl. No.: **29/464,080**

(22) Filed: **Aug. 13, 2013**

(51) **LOC (10) Cl.** **26-99**

(52) **U.S. Cl.**
USPC **D26/152**

(58) **Field of Classification Search**
CPC H01J 9/148; H01J 9/185; H01J 9/205;
H01J 9/241; F21K 9/10; F21K 9/30; F21S
13/02; F21S 13/08; F21S 13/10
USPC D26/24, 26, 39, 42, 67, 68, 72, 74, 75,
D26/79, 96, 108, 109, 113, 118, 129, 138,
D26/140, 141, 142, 150, 151, 152;
362/23.07, 23.09, 23.16, 184, 217.01,
362/217.02, 217.05, 217.08, 217.09, 249,
362/260, 311.02, 555, 612, 614, 800

See application file for complete search history.

(56) **References Cited**

U.S. PATENT DOCUMENTS

D247,061 S *	1/1978	Win	D26/152
D247,636 S *	3/1978	Win	D26/152
D247,989 S *	5/1978	Win	D26/152
D402,393 S *	12/1998	Kuo	D26/118
D606,231 S *	12/2009	Sabernig	D26/85
D621,986 S *	8/2010	Yan	D26/69
D621,988 S *	8/2010	Zheng et al.	D26/71
D700,989 S *	3/2014	Rampolla et al.	D26/90

* cited by examiner

Primary Examiner — Deanna L Pratt
Assistant Examiner — Natasha Vujcic

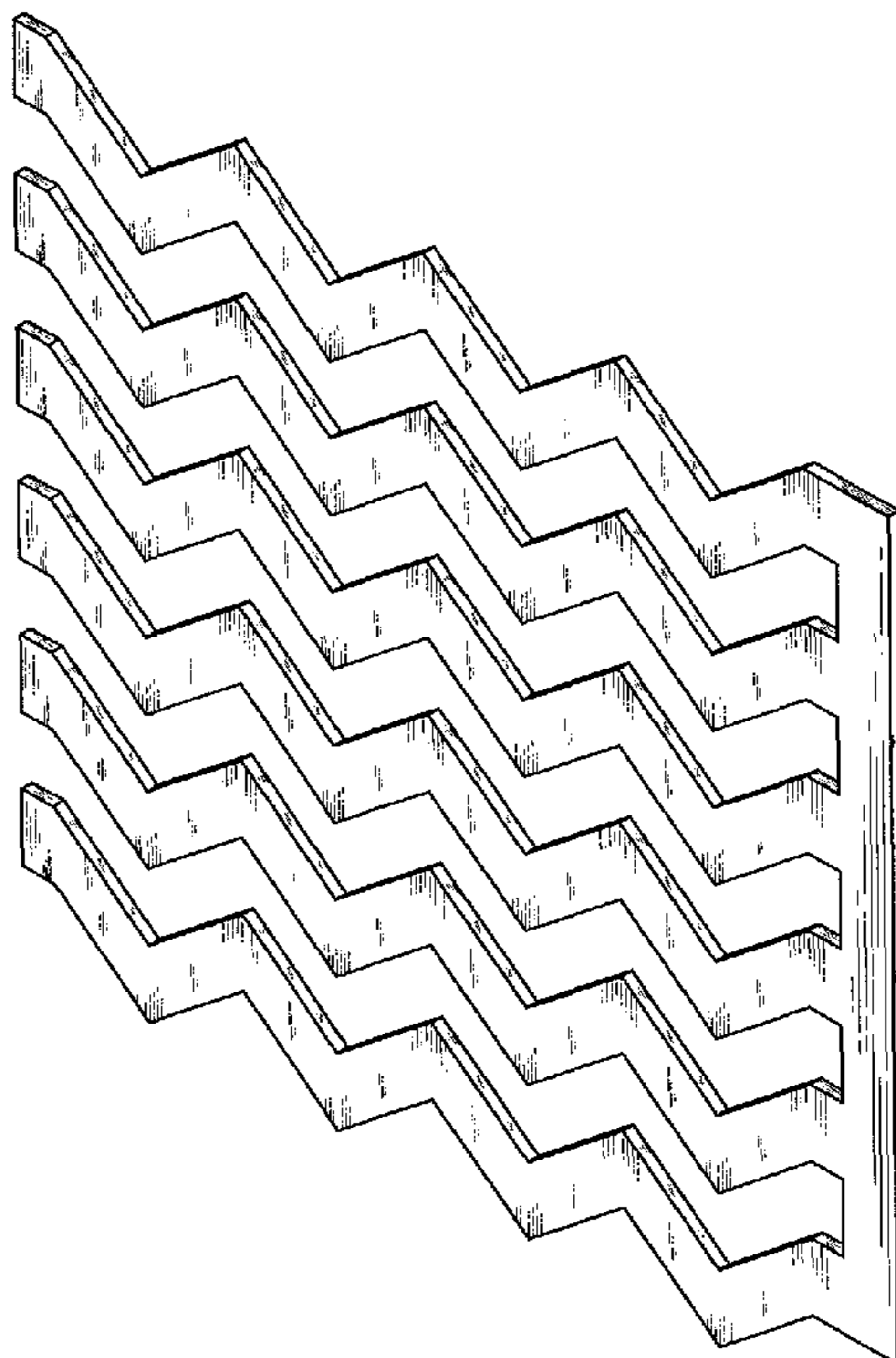
(57) **CLAIM**

The ornamental design for a Z-shaped lamp panel, as shown and described.

DESCRIPTION

FIG. 1 is a perspective view of a Z-shaped lamp panel showing our new design;
FIG. 2 is a front elevational view thereof;
FIG. 3 is a rear elevational view thereof;
FIG. 4 is a left side view thereof;
FIG. 5 is a right side view thereof;
FIG. 6 is a top plan view thereof;
FIG. 7 is a bottom plan view thereof; and,
FIG. 8 is another perspective view thereof, shown with unclaimed LED lights.
The broken lines in the drawings illustrate portions of the Z-shaped lamp panel which form no part of the claimed design.

1 Claim, 6 Drawing Sheets



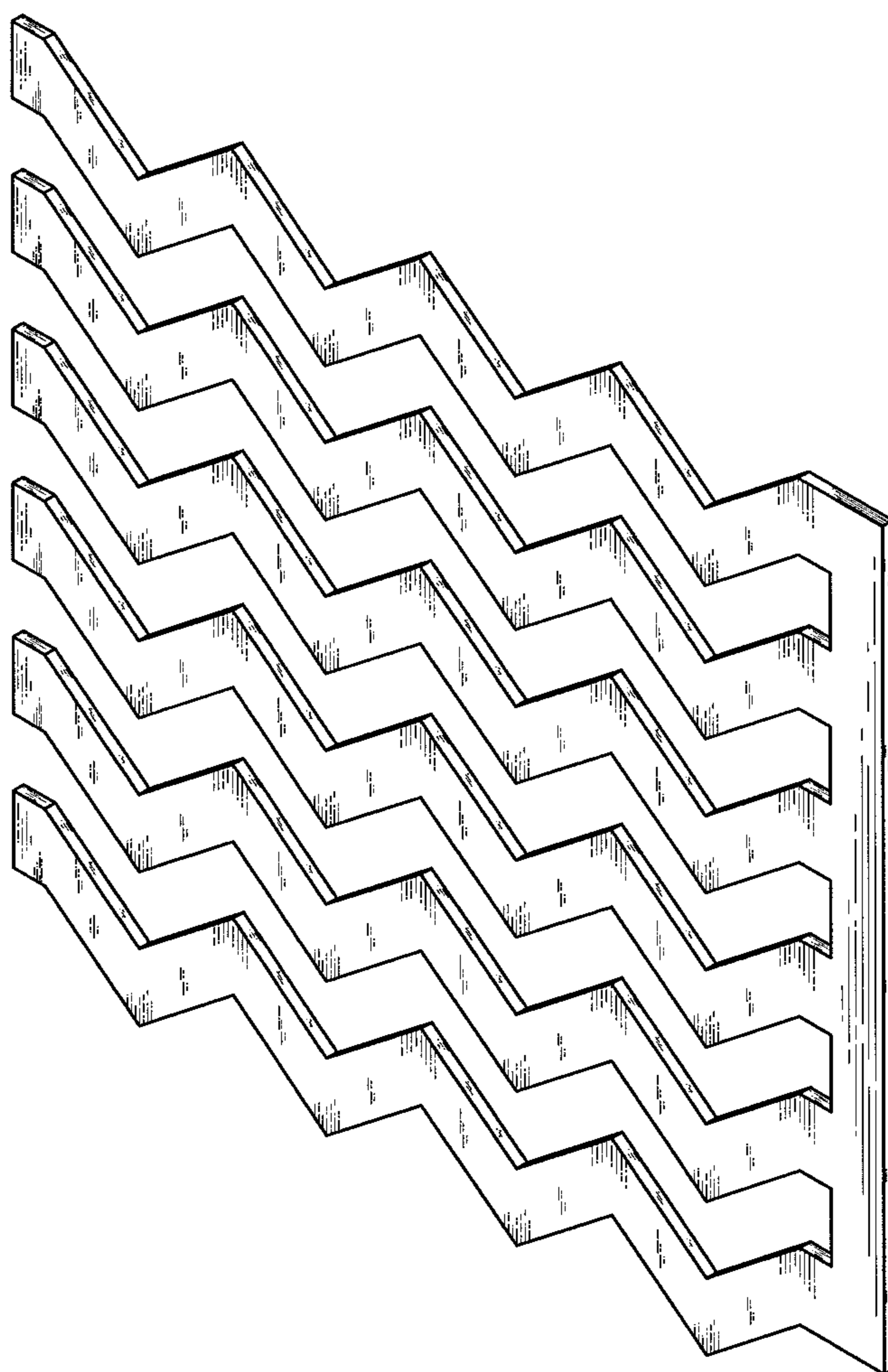


Fig. 1

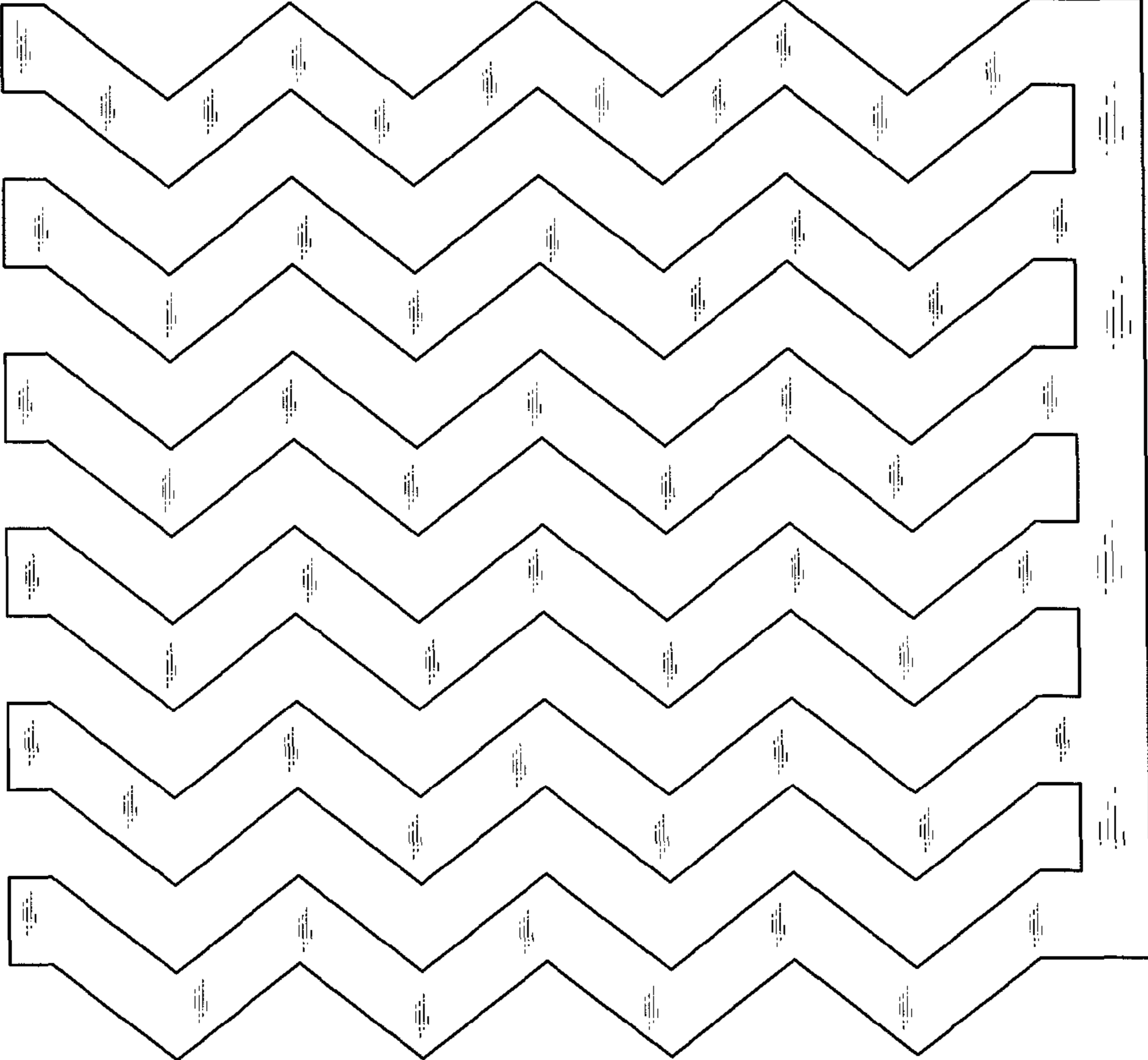


Fig. 2

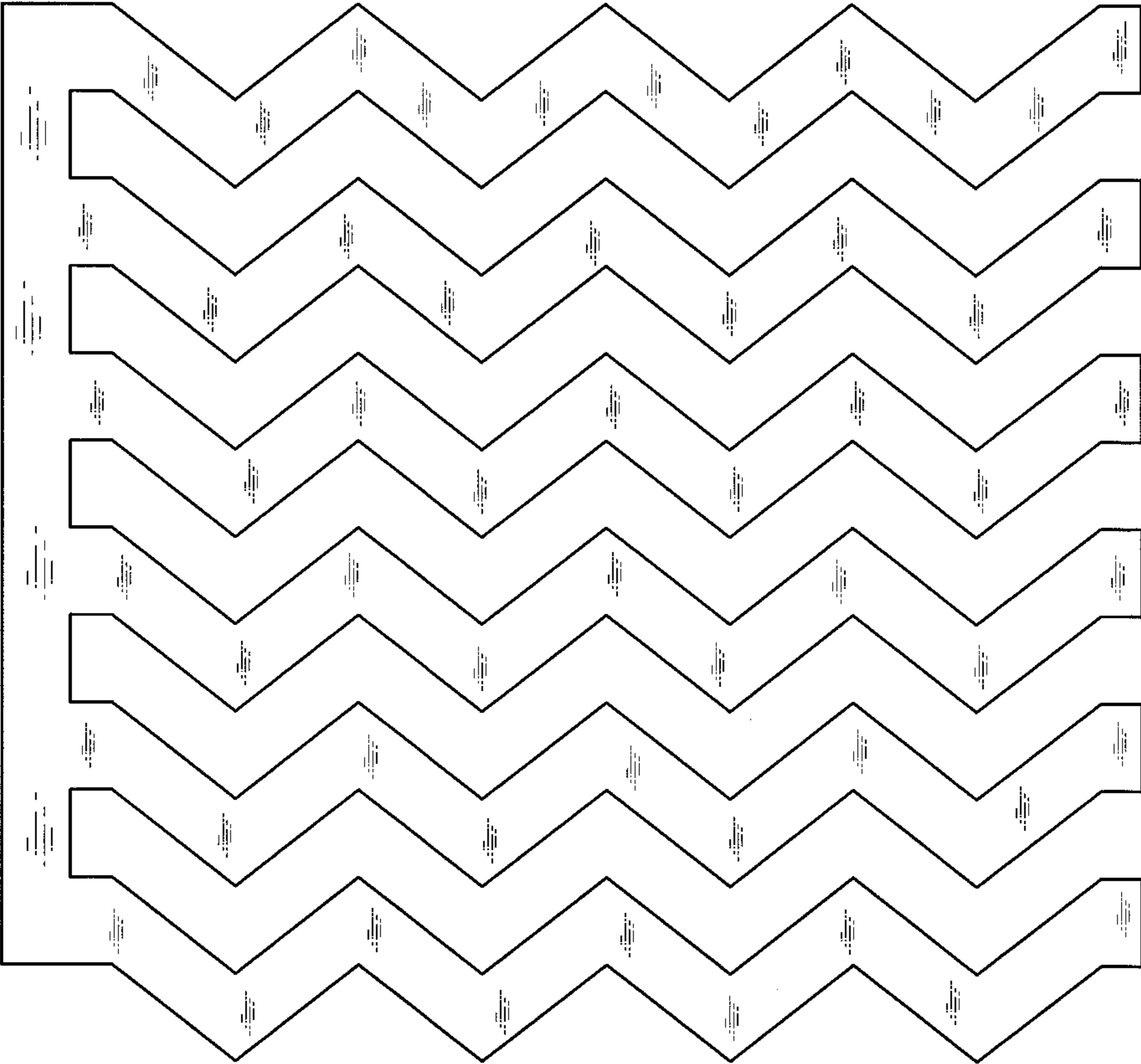


Fig. 3



Fig. 4



Fig. 5

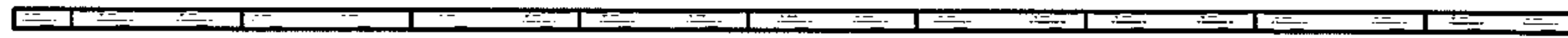


Fig. 6



Fig. 7

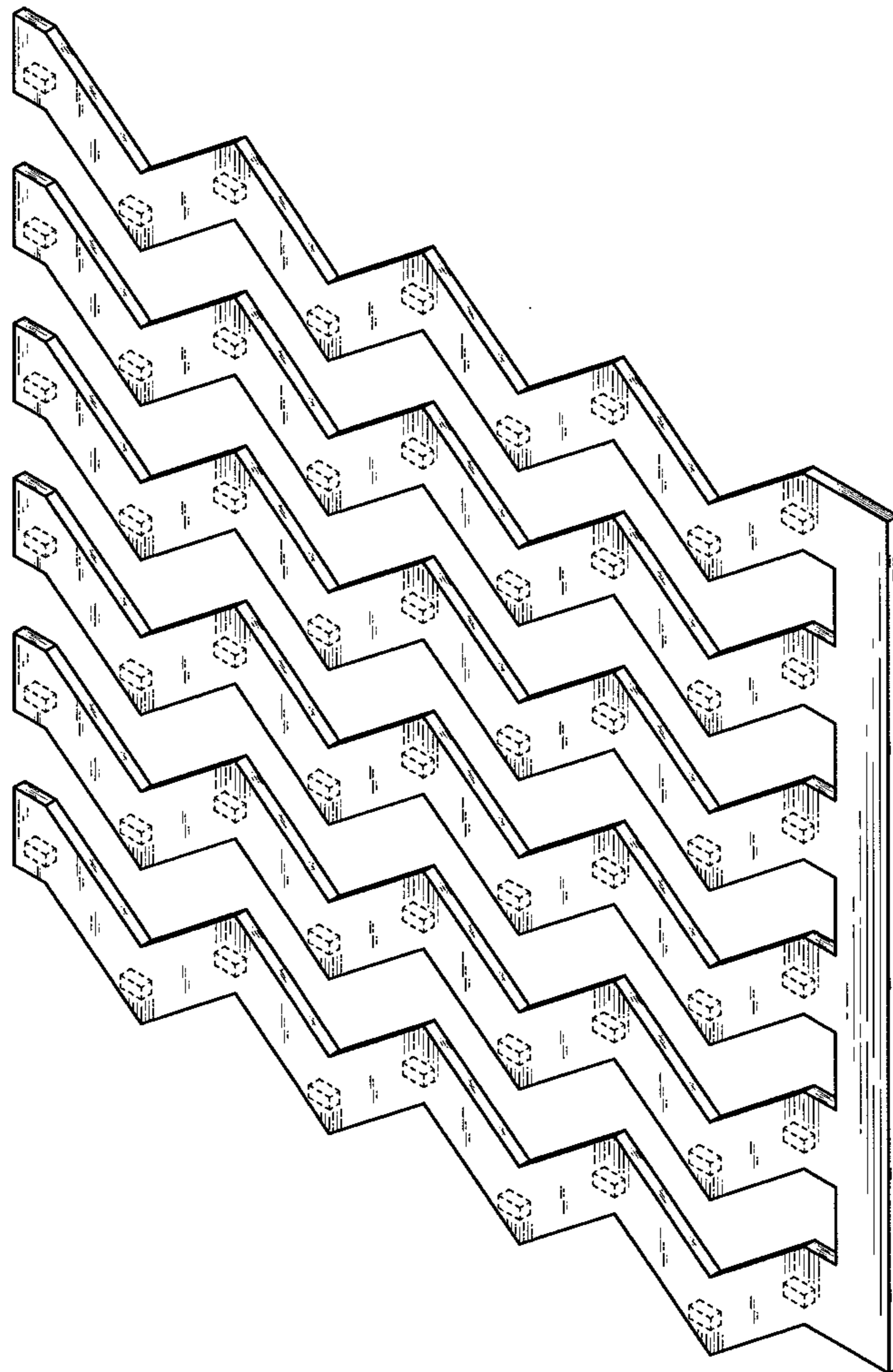


Fig. 8