



US00D723211S

(12) **United States Design Patent**  
**Hsu**

(10) **Patent No.:** **US D723,211 S**  
(45) **Date of Patent:** **\*\* Feb. 24, 2015**

- (54) **ZOOM LENS WITH MULTI-LAYERS FOR ILLUMINATION**
- (71) Applicant: **Chen-Wei Hsu**, Tainan (TW)
- (72) Inventor: **Chen-Wei Hsu**, Tainan (TW)
- (\*\*) Term: **14 Years**
- (21) Appl. No.: **29/496,273**
- (22) Filed: **Jul. 11, 2014**
- (51) **LOC (10) Cl.** ..... **26-99**
- (52) **U.S. Cl.**  
USPC ..... **D26/122**
- (58) **Field of Classification Search**  
CPC ..... F21V 5/004; F21V 5/005; F21V 5/007;  
F21V 5/045; F21V 5/04; F21V 5/02; F21V  
5/041; H01L 33/54; H01L 33/58; G02B 3/10  
USPC ..... D26/113, 118, 120, 121, 122, 123, 124,  
D26/125, 128, 135, 148, 145, 155, 138;  
D13/179, 180  
See application file for complete search history.

D611,077	S *	3/2010	Chern et al.	.....	D16/101
D618,384	S *	6/2010	Chen et al.	.....	D26/120
D634,883	S *	3/2011	Kim et al.	.....	D26/120
7,922,369	B2 *	4/2011	Condon et al.	.....	362/311.01
D667,859	S *	9/2012	Chen et al.	.....	D16/135
8,262,272	B2 *	9/2012	Cheng et al.	.....	362/610
8,337,053	B2 *	12/2012	Chen et al.	.....	362/311.06
D674,965	S *	1/2013	Lueken et al.	.....	D26/120
8,545,058	B2 *	10/2013	Chen et al.	.....	362/268
8,736,962	B2 *	5/2014	Dobschal et al.	.....	359/630
D713,989	S *	9/2014	Kim	.....	D26/122
2004/0105171	A1 *	6/2004	Minano et al.	.....	359/728
2007/0236952	A1 *	10/2007	Chinniah et al.	.....	362/538
2008/0205061	A1 *	8/2008	Holder et al.	.....	362/257
2008/0247188	A1 *	10/2008	Woodward	.....	362/554
2009/0067170	A1 *	3/2009	Bloemen et al.	.....	362/235
2010/0149801	A1 *	6/2010	Lo et al.	.....	362/235
2010/0238666	A1 *	9/2010	Ominato et al.	.....	362/308
2011/0075428	A1 *	3/2011	Chen et al.	.....	362/311.02
2013/0322090	A1 *	12/2013	Pijlman et al.	.....	362/311.12

\* cited by examiner

Primary Examiner — Kevin Rudzinski

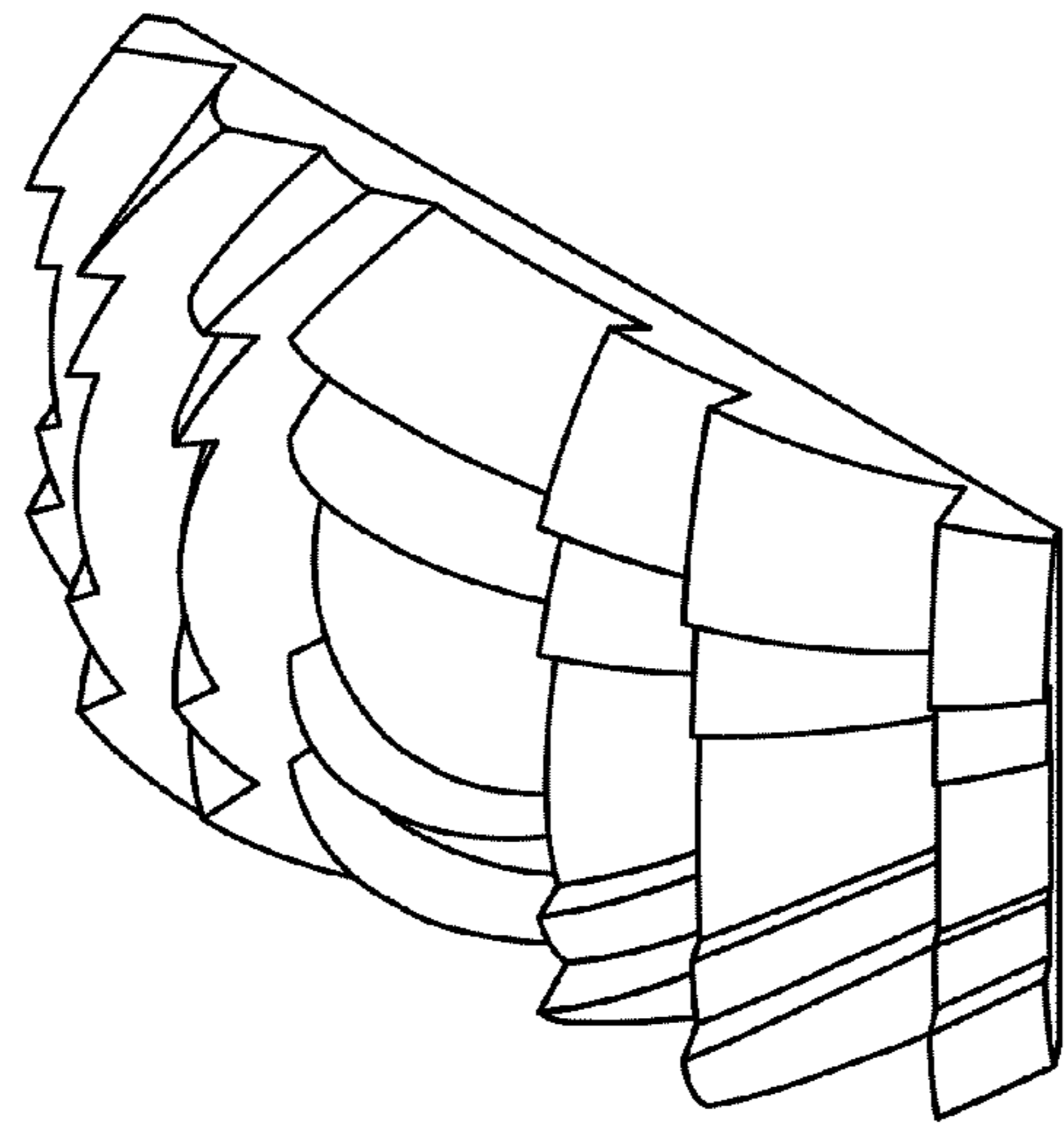
(57) **CLAIM**  
The ornamental design for a zoom lens with multi-layers for illumination, as shown and described.

**DESCRIPTION**

FIG. 1 is a perspective view of a zoom lens with multi-layers for illumination showing my design;  
FIG. 2 is a front elevational view thereof;  
FIG. 3 is a rear elevational view thereof;  
FIG. 4 is a left side elevational view thereof;  
FIG. 5 is a right side elevational view thereof;  
FIG. 6 is a top plan view thereof; and,  
FIG. 7 is a bottom plan view thereof.

**1 Claim, 7 Drawing Sheets**

- (56) **References Cited**  
U.S. PATENT DOCUMENTS
- D126,993 S \* 5/1941 Trautner ..... D26/36
- 5,680,260 A \* 10/1997 Farcella et al. .... 359/819
- 6,550,941 B1 \* 4/2003 Keuper et al. .... 362/337
- 6,554,451 B1 \* 4/2003 Keuper ..... 362/237
- D489,383 S \* 5/2004 Overholser ..... D16/101
- 6,924,943 B2 \* 8/2005 Minano et al. .... 359/720
- D566,059 S \* 4/2008 Tanaka ..... D13/180
- D578,684 S \* 10/2008 Marquardt ..... D26/28
- D608,806 S \* 1/2010 Chern et al. .... D16/101
- D608,807 S \* 1/2010 Chern et al. .... D16/101
- D608,808 S \* 1/2010 Cheng et al. .... D16/101



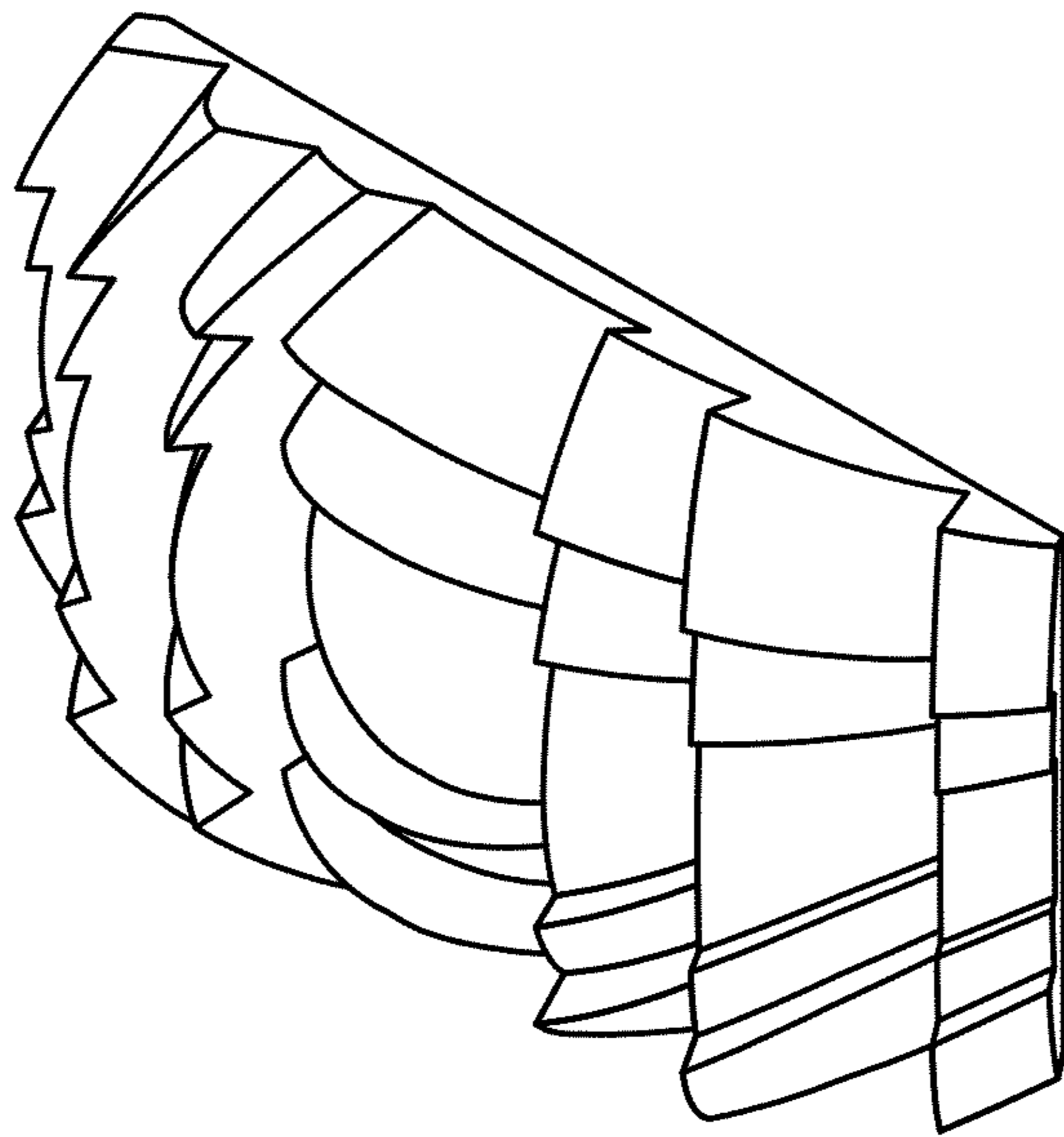


FIG. 1

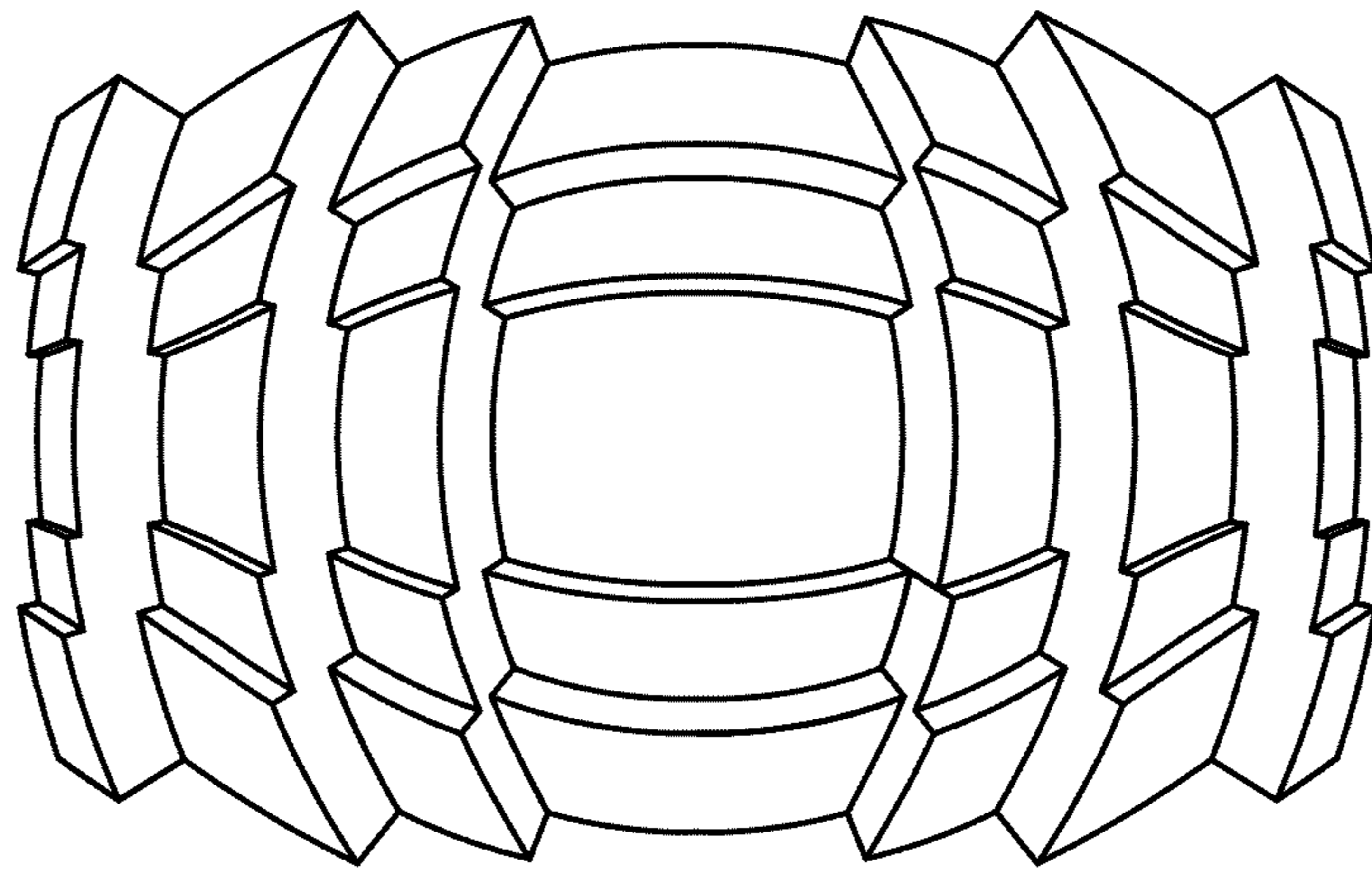


FIG.2

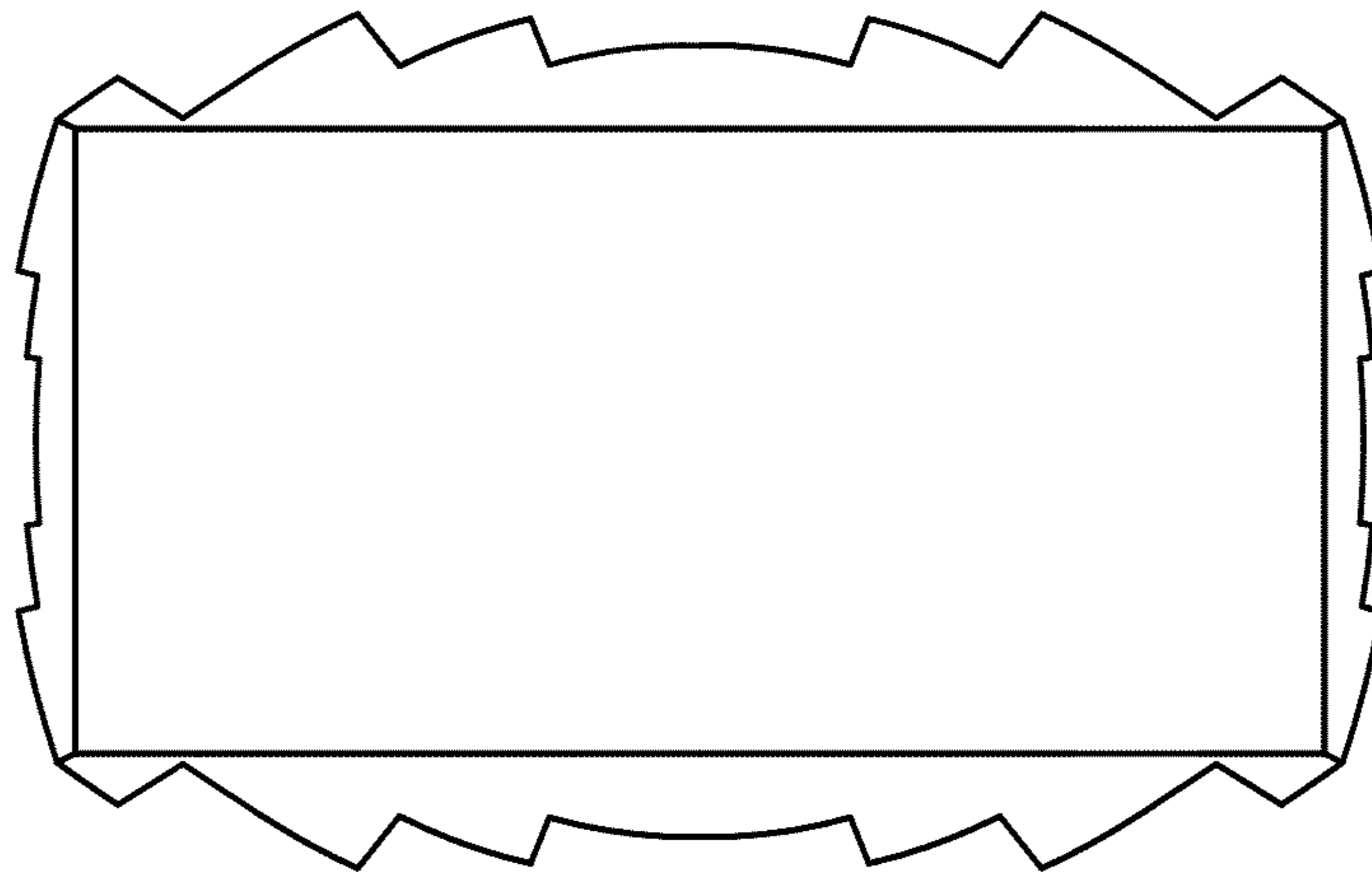


FIG.3

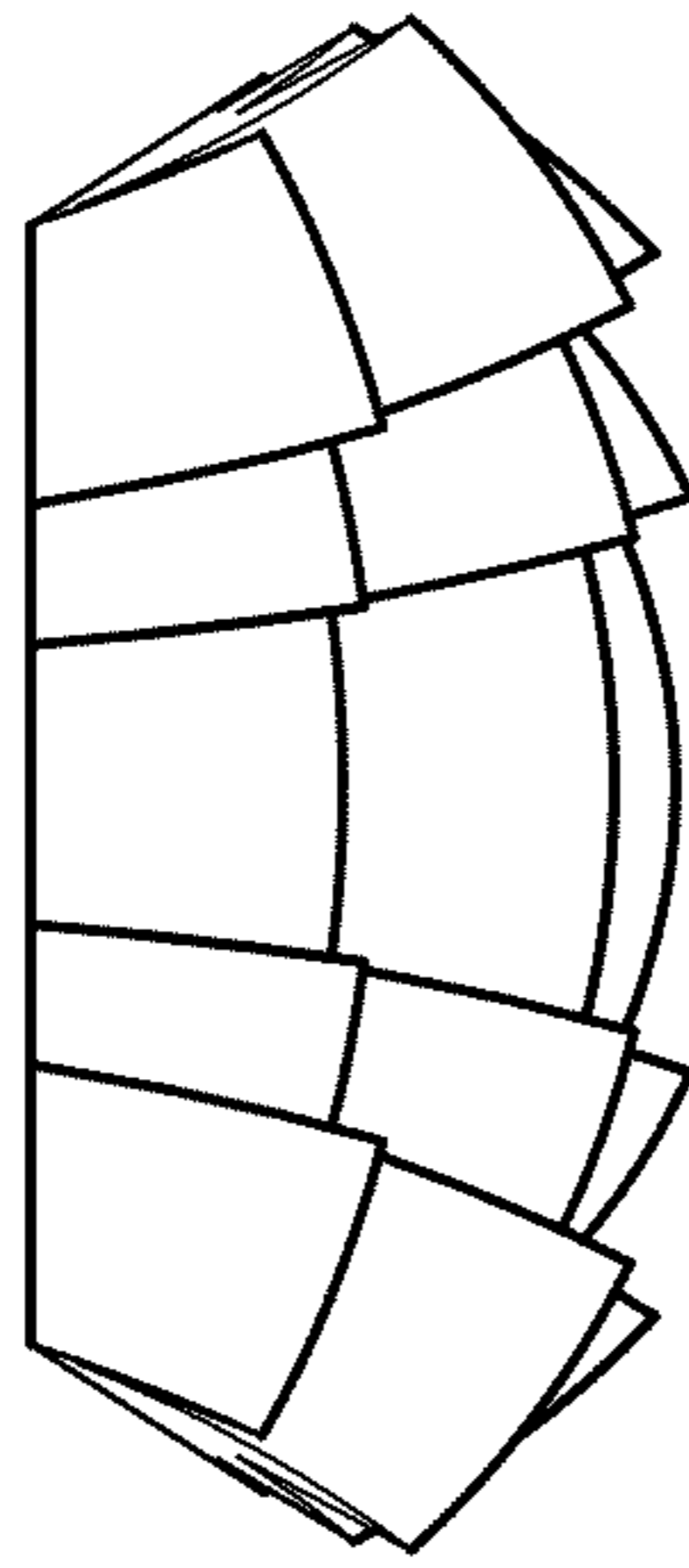


FIG.4

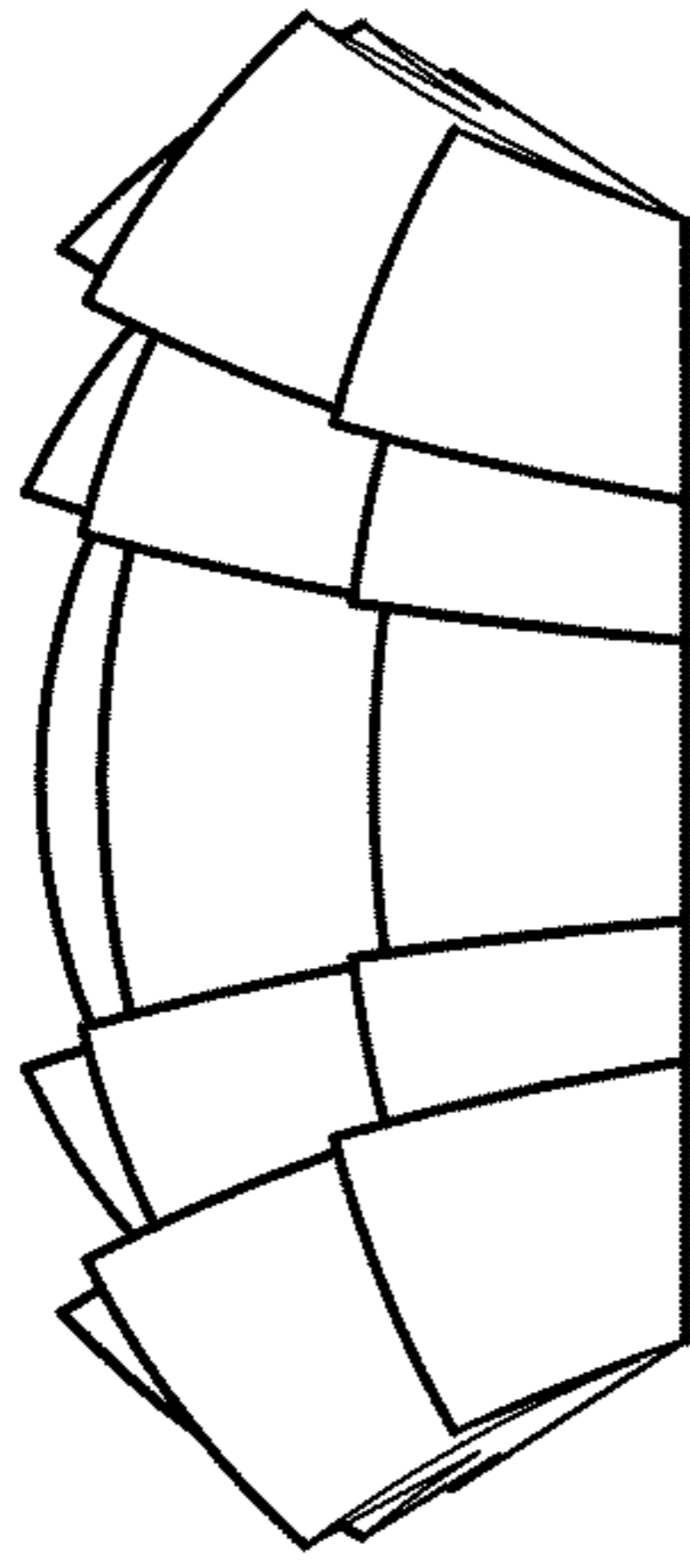


FIG.5

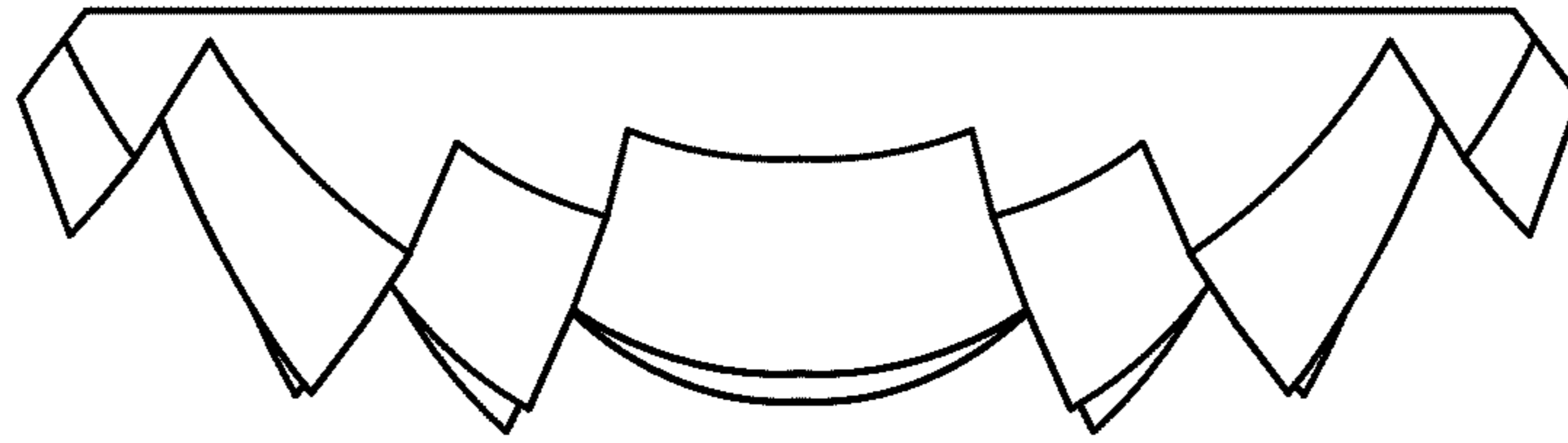


FIG.6

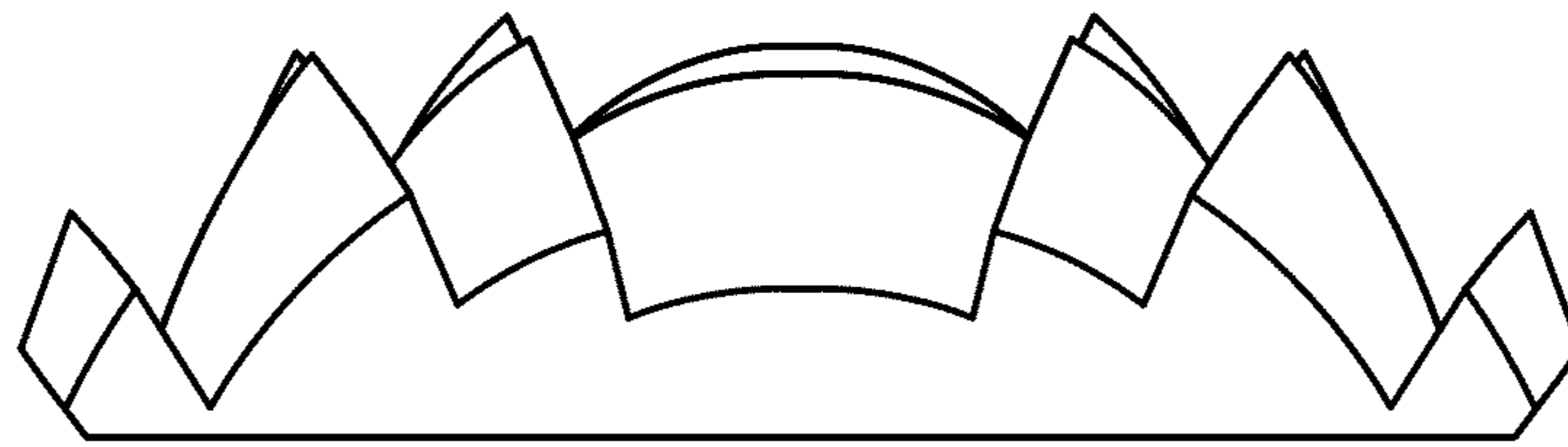


FIG.7