



US00D723210S

(12) **United States Design Patent**
Highbridge et al.

(10) **Patent No.:** **US D723,210 S**

(45) **Date of Patent:** **** Feb. 24, 2015**

(54) **ROUND SURFACE MOUNTED LED LIGHT
FIXTURE**

(71) Applicant: **RAB Lighting Inc.**, Northvale, NJ (US)

(72) Inventors: **Doug Highbridge**, Hopewell Junction,
NY (US); **Alexander Goldis**, Brooklyn,
NY (US)

(73) Assignee: **RAB Lighting Inc.**, Northvale, NJ (US)

(**) Term: **14 Years**

(21) Appl. No.: **29/494,777**

(22) Filed: **Jun. 24, 2014**

(51) **LOC (10) Cl.** **26-03**

(52) **U.S. Cl.**
USPC **D26/89**

(58) **Field of Classification Search**
USPC D26/28, 72, 85, 89; 362/147, 287, 373,
362/453-456

See application file for complete search history.

(56) **References Cited**

U.S. PATENT DOCUMENTS

D190,827 S	7/1961	Phillips	
3,038,062 A *	6/1962	Liberman	362/229
D211,820 S *	7/1968	Pettengill	D26/85
D221,181 S *	7/1971	Bobrick	D26/85
D228,792 S	10/1973	Conrad	
D228,795 S *	10/1973	Peasley	D26/85
D249,291 S *	9/1978	Pemberton	D26/85
4,507,719 A *	3/1985	Quiogue	362/404
D286,579 S *	11/1986	Pugh et al.	D26/85
D309,956 S *	8/1990	Sikora et al.	D26/123
D313,863 S *	1/1991	Macaluso	D26/29

5,228,773 A *	7/1993	Win	362/339
D443,713 S *	6/2001	Benensohn	D26/72
D482,486 S *	11/2003	Demers	D26/85
6,705,747 B2 *	3/2004	Caferro et al.	362/291
D556,938 S *	12/2007	Russello et al.	D26/89
D573,288 S	7/2008	Xu et al.	
D573,289 S	7/2008	Xu et al.	
D639,996 S *	6/2011	Stolte et al.	D26/89
D691,763 S *	10/2013	Hand et al.	D26/89
2011/0170294 A1	7/2011	Mier-Langner et al.	

* cited by examiner

Primary Examiner — Clare E Heflin

(74) *Attorney, Agent, or Firm* — SmithAmundsen LLC;
Kelly J. Smith; Dennis S. Schell

(57) **CLAIM**

The ornamental design for a round surface mounted LED light fixture, substantially as shown and described.

DESCRIPTION

FIG. 1 is a bottom perspective view of an embodiment of the new design;

FIG. 2 is a top perspective view of the embodiment of FIG. 1;

FIG. 3 is a bottom view of the embodiment of FIG. 1;

FIG. 4 is a top view of the embodiment of FIG. 1;

FIG. 5 is a left side view of the embodiment of FIG. 1;

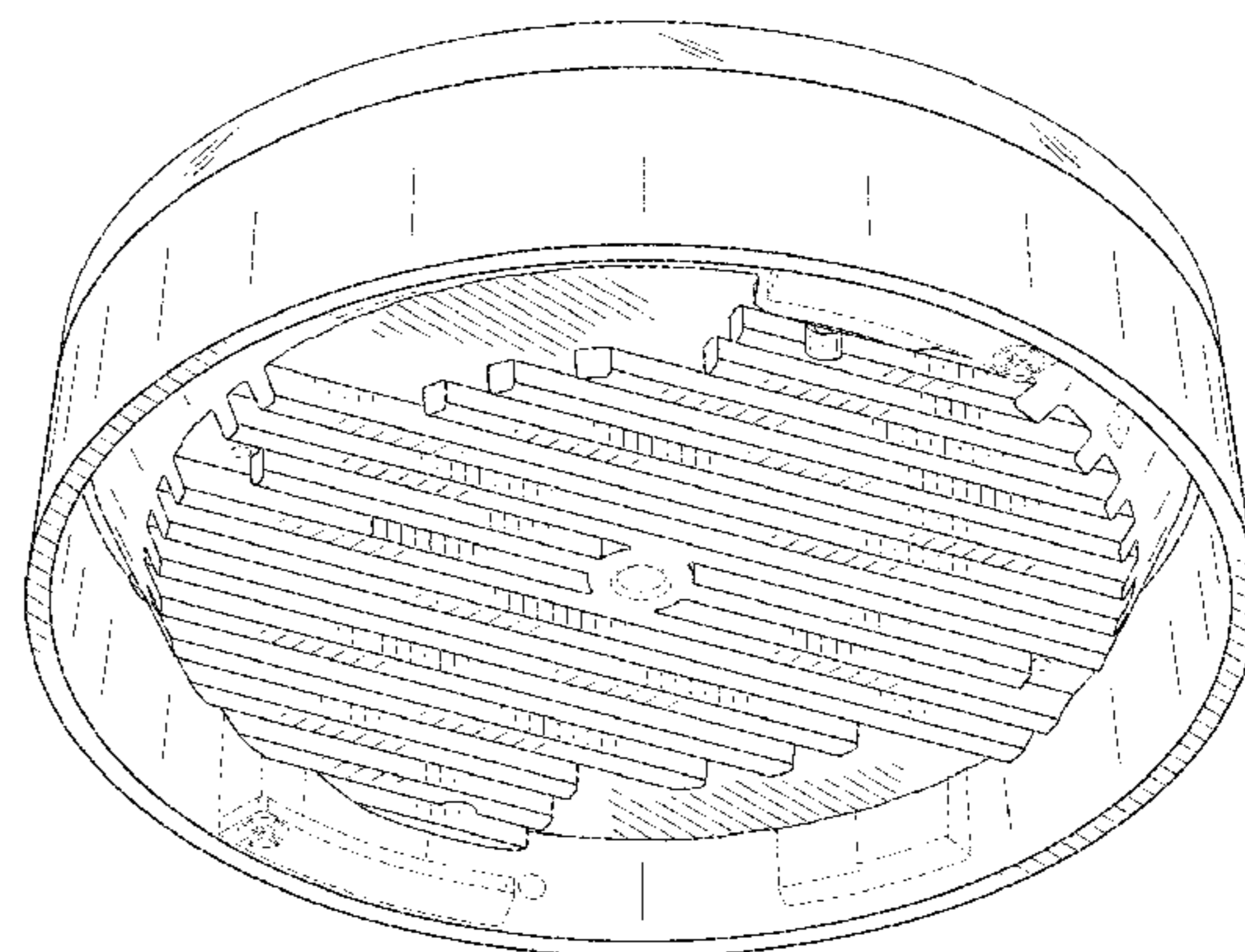
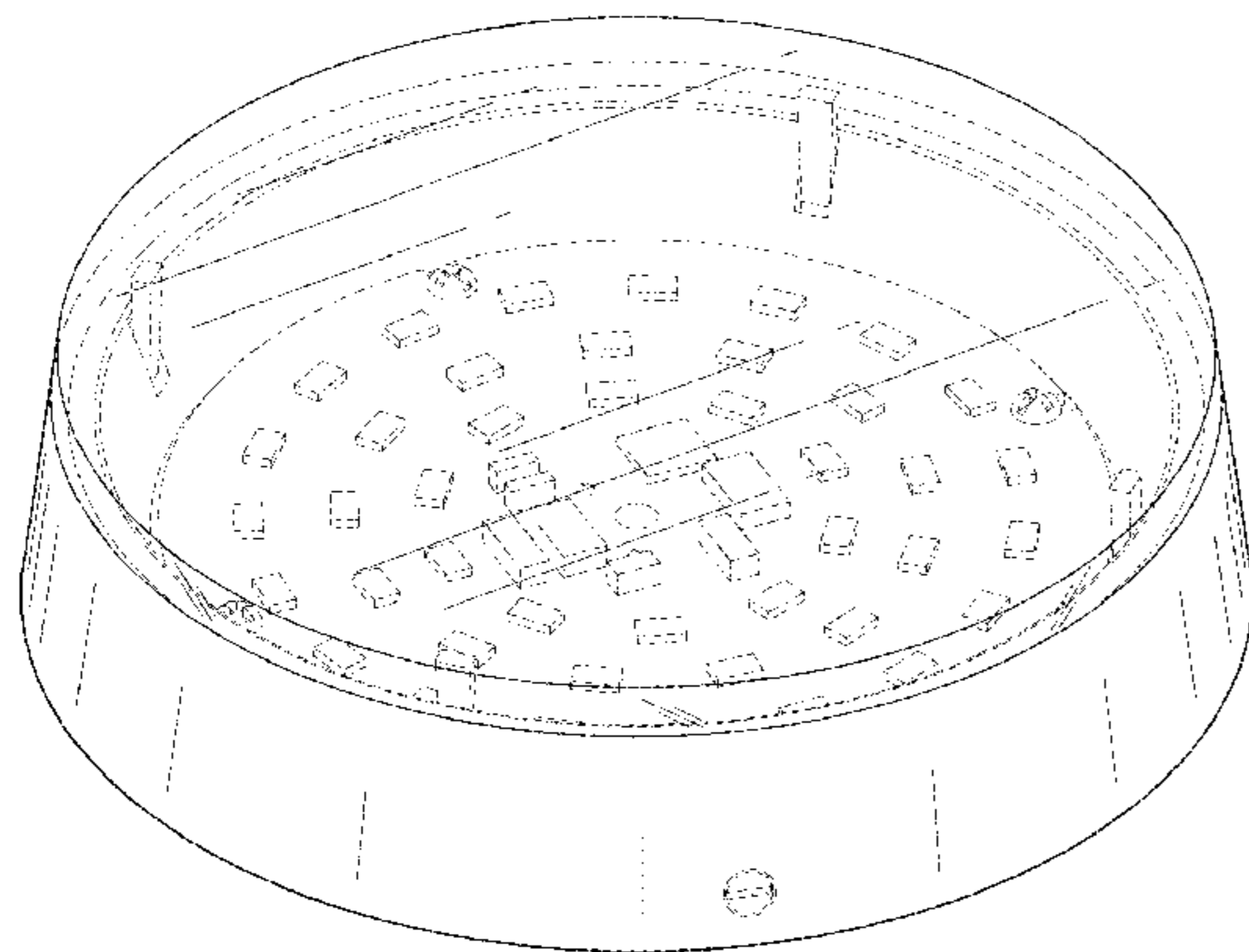
FIG. 6 is a right side view of the embodiment of FIG. 1;

FIG. 7 is a front view of the embodiment of FIG. 1; and,

FIG. 8 is a back view of the embodiment of FIG. 1.

The design consists of the features of shape, ornament and configuration of the article shown in the drawings. The broken lines shown in the drawings are for the purpose of illustrating portions of the article that form no part of the claimed design.

1 Claim, 4 Drawing Sheets



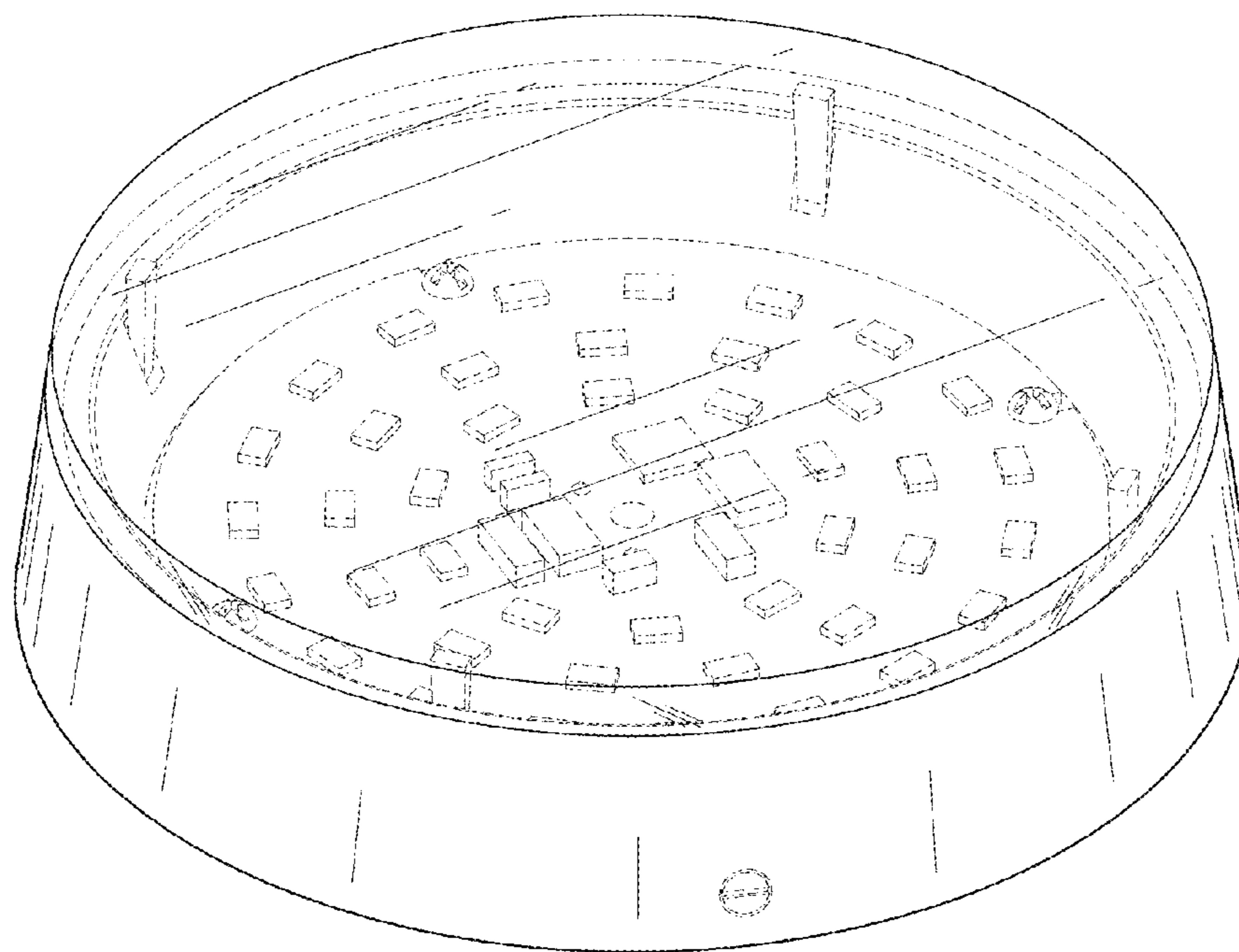


FIG. 1

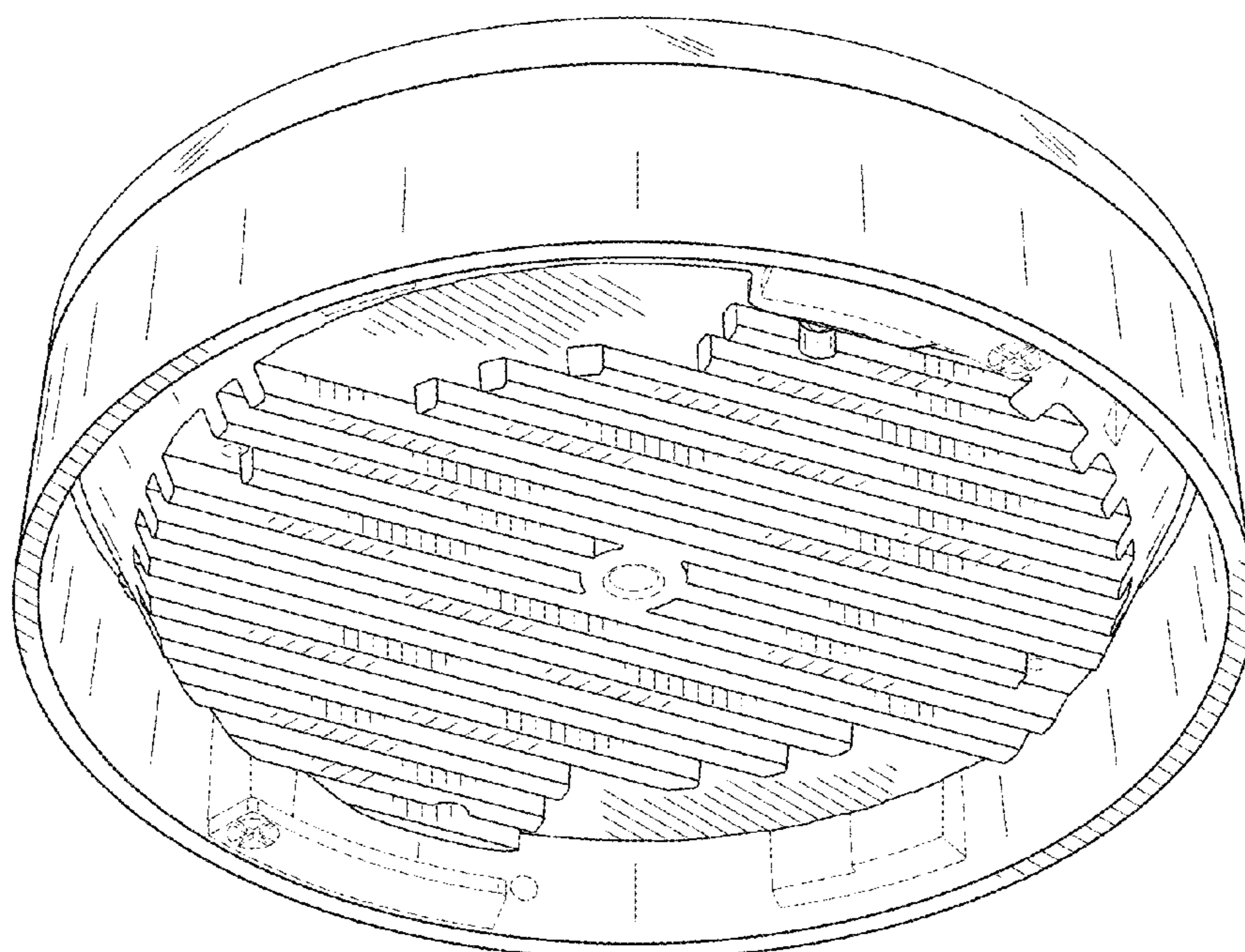


FIG. 2

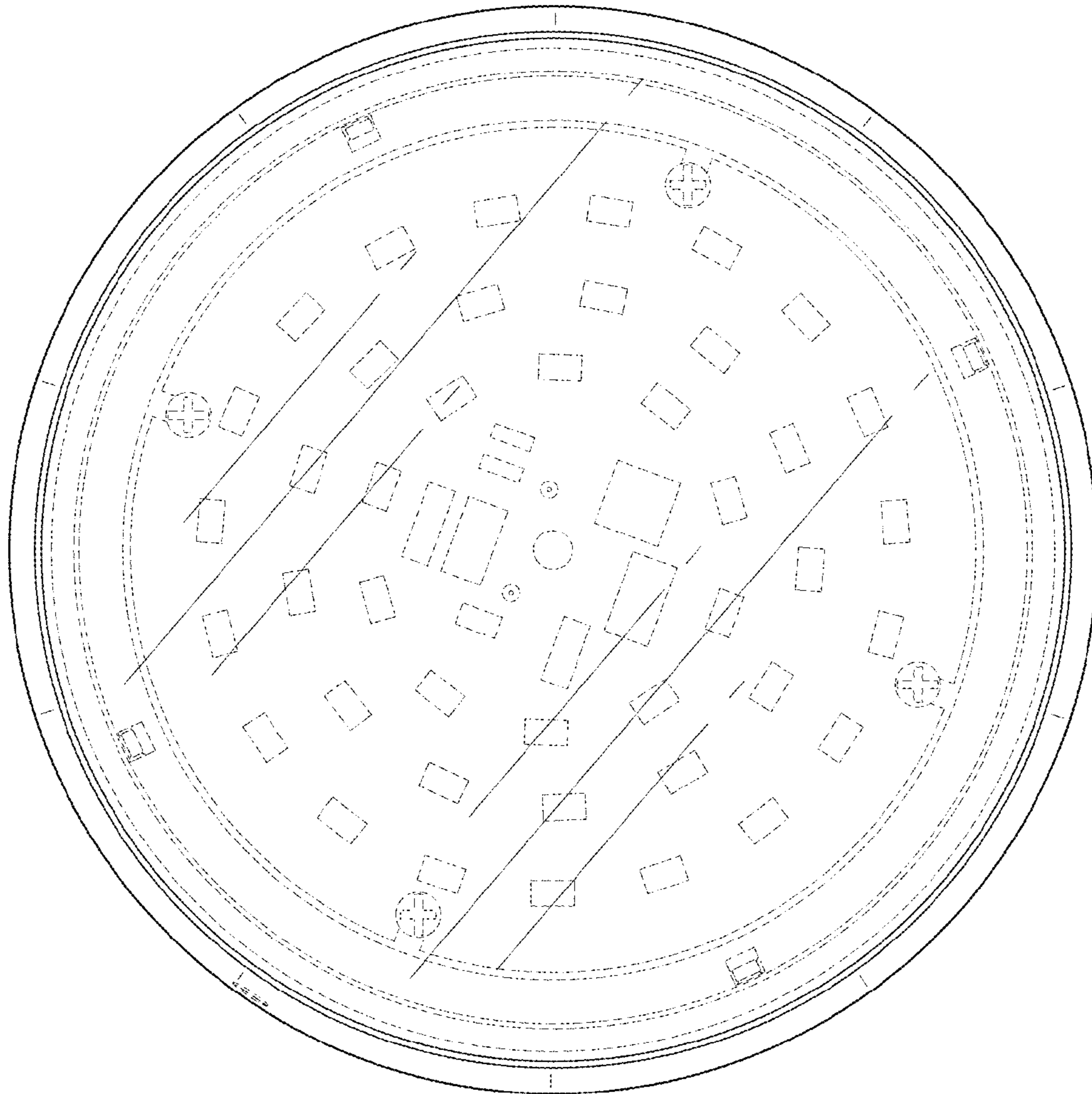


FIG. 3

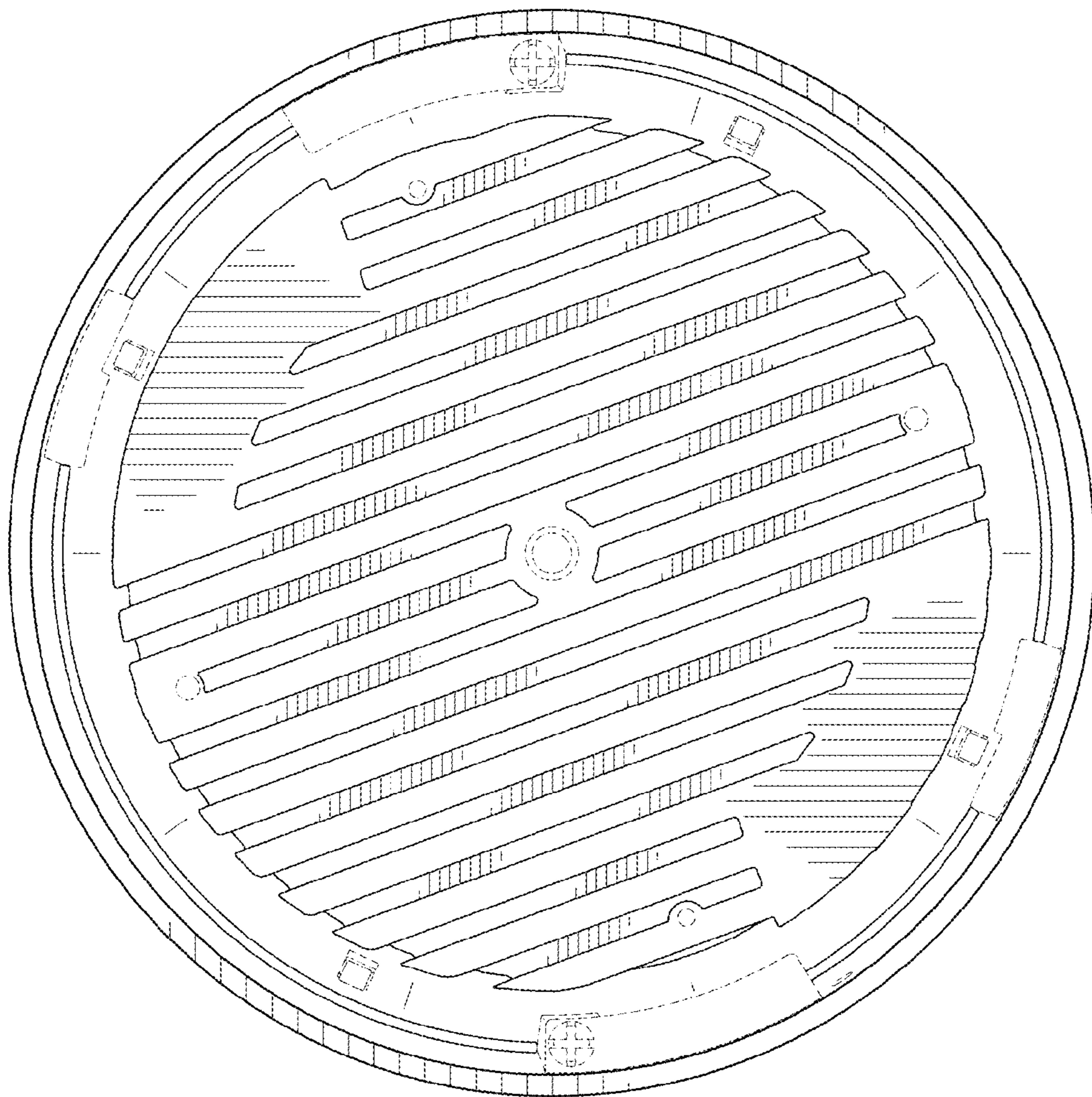


FIG. 4

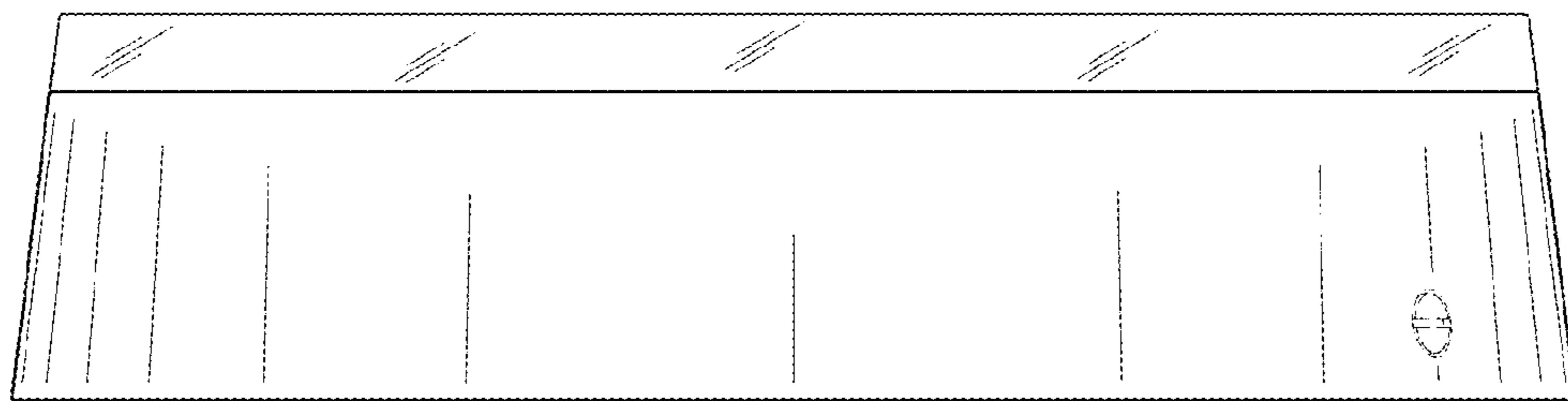


FIG. 5

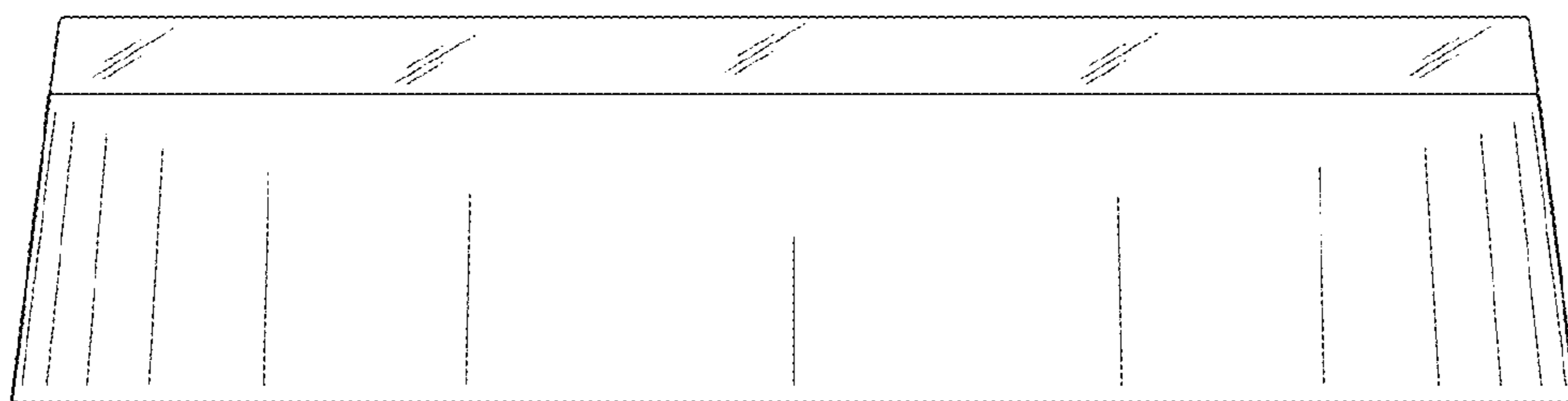


FIG. 6

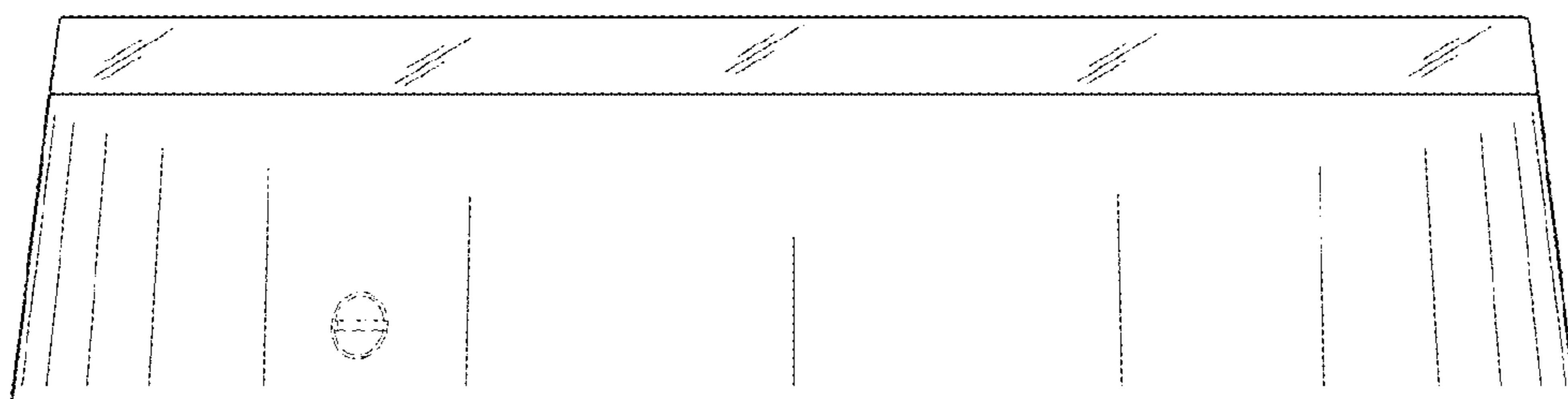


FIG. 7

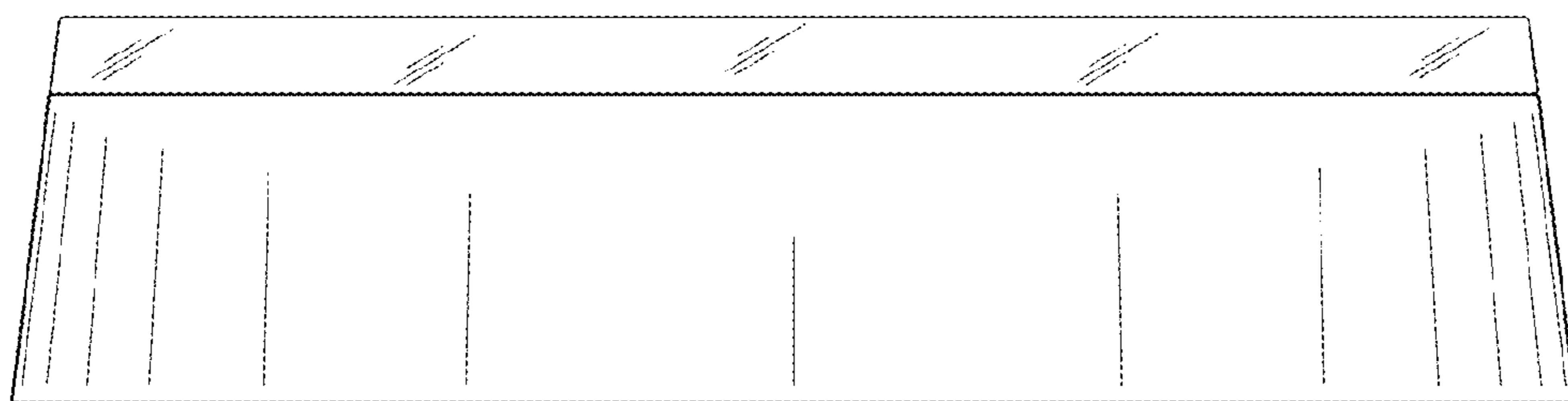


FIG. 8