



US00D723209S

(12) **United States Design Patent**
Orozco

(10) **Patent No.:** **US D723,209 S**

(45) **Date of Patent:** **** Feb. 24, 2015**

(54) **OUTDOOR LIGHT FIXTURE WITH
SUSPENDED GLASS IN CURVED FRAME**

(71) Applicant: **Jimway, Inc.**, Rancho Dominguez, CA
(US)

(72) Inventor: **Sergio Orozco**, West New York, NJ (US)

(73) Assignee: **Jimway, Inc.**, Rancho Dominguez, CA
(US)

(**) Term: **14 Years**

(21) Appl. No.: **29/449,792**

(22) Filed: **Mar. 15, 2013**

(51) **LOC (10) Cl.** **26-03**

(52) **U.S. Cl.**
USPC **D26/87**

(58) **Field of Classification Search**
USPC D26/67, 68, 72, 85, 87, 92, 118;
362/147, 350, 356, 363, 432
See application file for complete search history.

(56) **References Cited**

U.S. PATENT DOCUMENTS

D63,164 S *	10/1923	Ohm	D26/67
D394,325 S *	5/1998	Hsu	D26/87
D456,934 S *	5/2002	Hsu	D26/87
D483,144 S *	12/2003	Chen	D26/92
D513,337 S *	12/2005	Burke	D26/85
D514,244 S *	1/2006	Curtin	D26/85
D515,231 S *	2/2006	Randazzo et al.	D26/67
D534,298 S *	12/2006	Chen	D26/87
D535,426 S *	1/2007	Holman	D26/87
D541,972 S *	5/2007	Holman	D26/87

D548,870 S *	8/2007	Richmond	D26/67
D603,996 S *	11/2009	Chen	D26/67
D694,937 S *	12/2013	Dolan	D26/87

* cited by examiner

Primary Examiner — Clare E Heflin

(74) *Attorney, Agent, or Firm* — Paul Y. Feng; One LLP

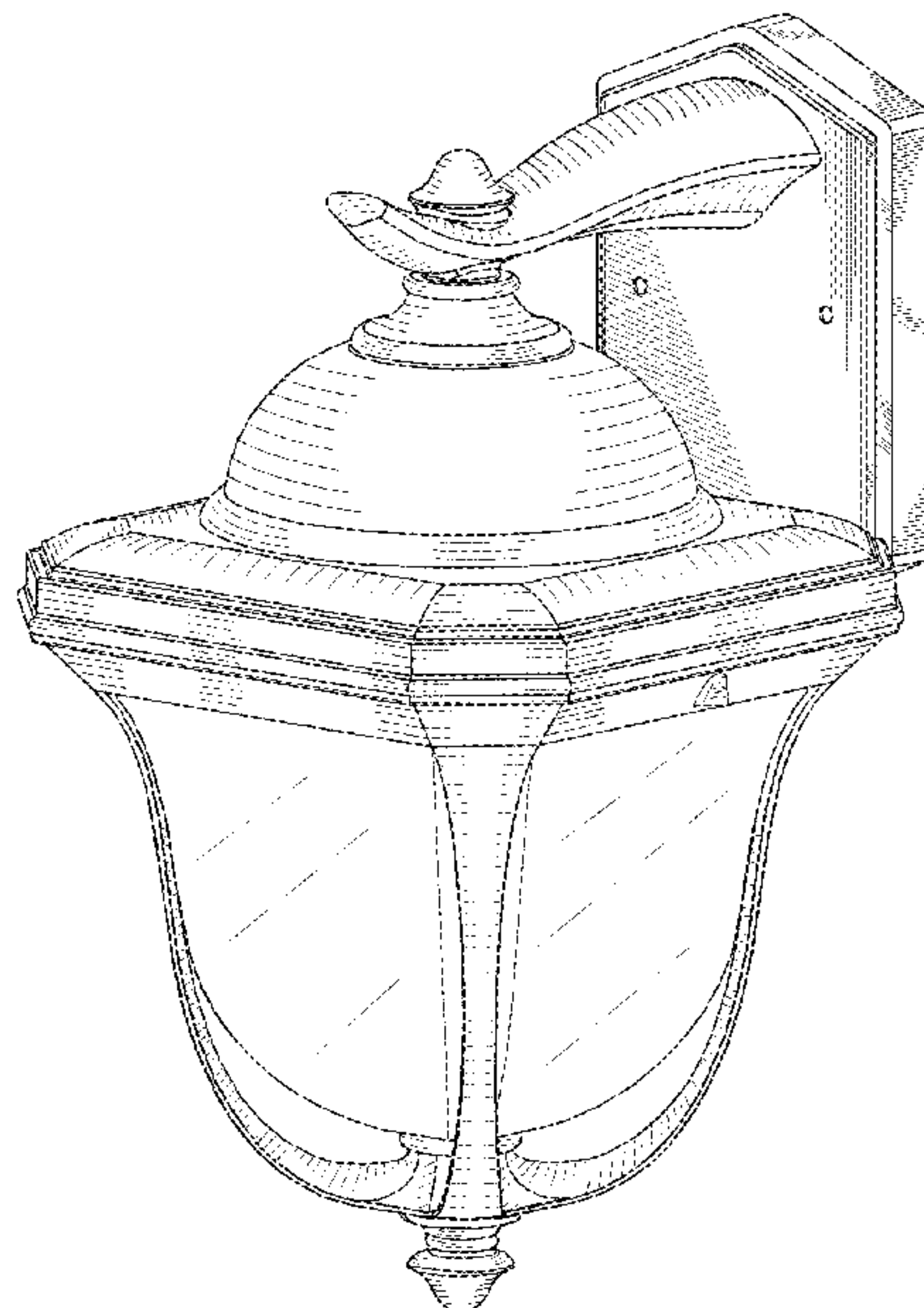
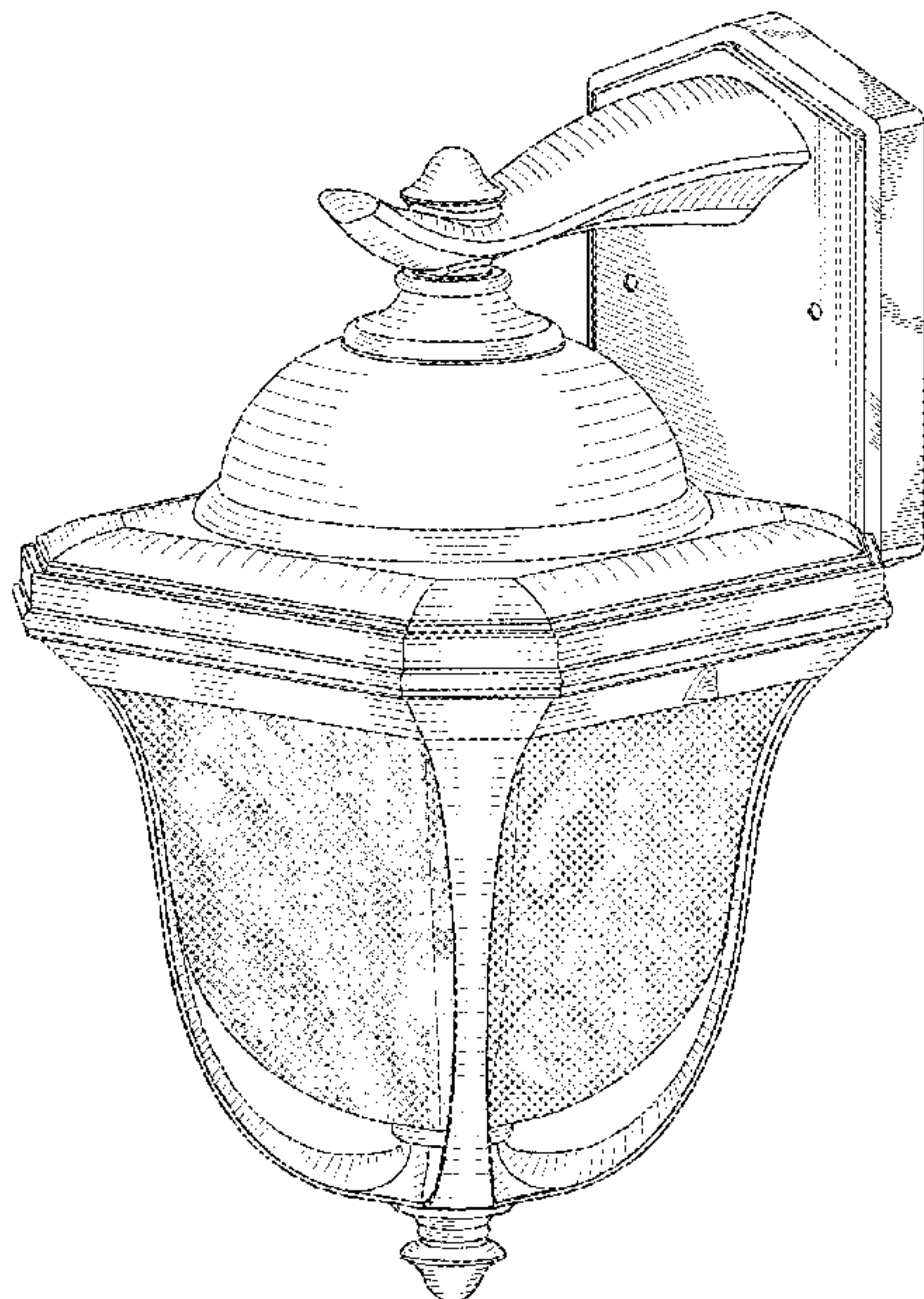
(57) **CLAIM**

The ornamental design for an outdoor light fixture with suspended glass in curved frame, as shown and described.

DESCRIPTION

FIG. 1 is an upper perspective view of a first embodiment of the outdoor light fixture with suspended glass in curved frame, showing the new design;
 FIG. 2 is a front-quarter perspective view of the outdoor light fixture with suspended glass in curved frame from FIG. 1;
 FIG. 3 is a front elevational view thereof;
 FIG. 4 is a rear elevational view thereof;
 FIG. 5 is a left side elevational view thereof;
 FIG. 6 is a right side elevational view thereof;
 FIG. 7 is a top plan view thereof;
 FIG. 8 is a bottom view thereof;
 FIG. 9 is an upper perspective view of a second embodiment of the outdoor light fixture with suspended glass in curved frame, showing the new design;
 FIG. 10 is a front-quarter perspective view of the outdoor light fixture with suspended glass in curved frame from FIG. 9;
 FIG. 11 is a front elevational view thereof;
 FIG. 12 is a rear elevational view thereof;
 FIG. 13 is a left side elevational view thereof;
 FIG. 14 is a right side elevational view thereof;
 FIG. 15 is a top view thereof; and;
 FIG. 16 is a bottom view thereof.

1 Claim, 16 Drawing Sheets



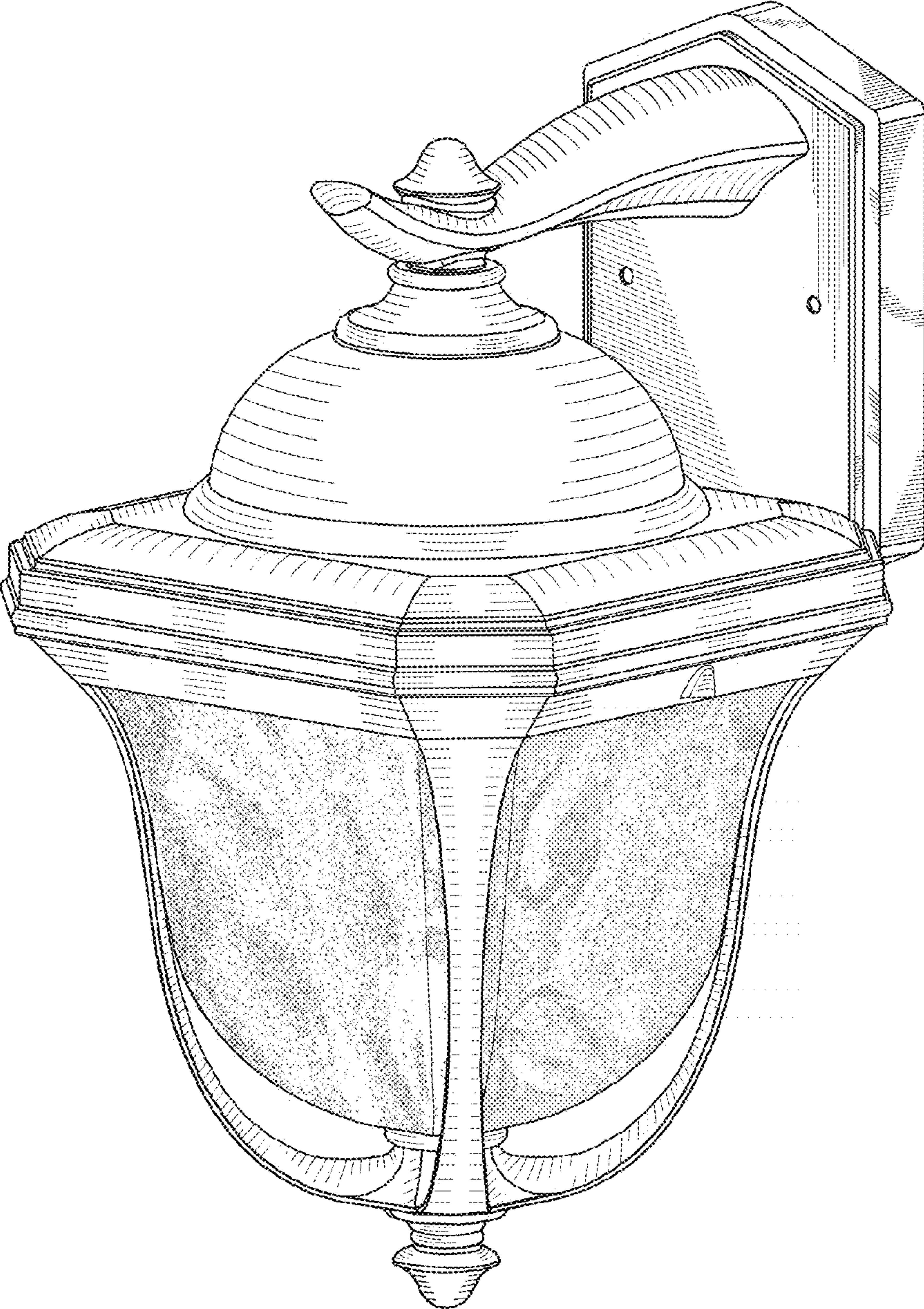


FIG. 1

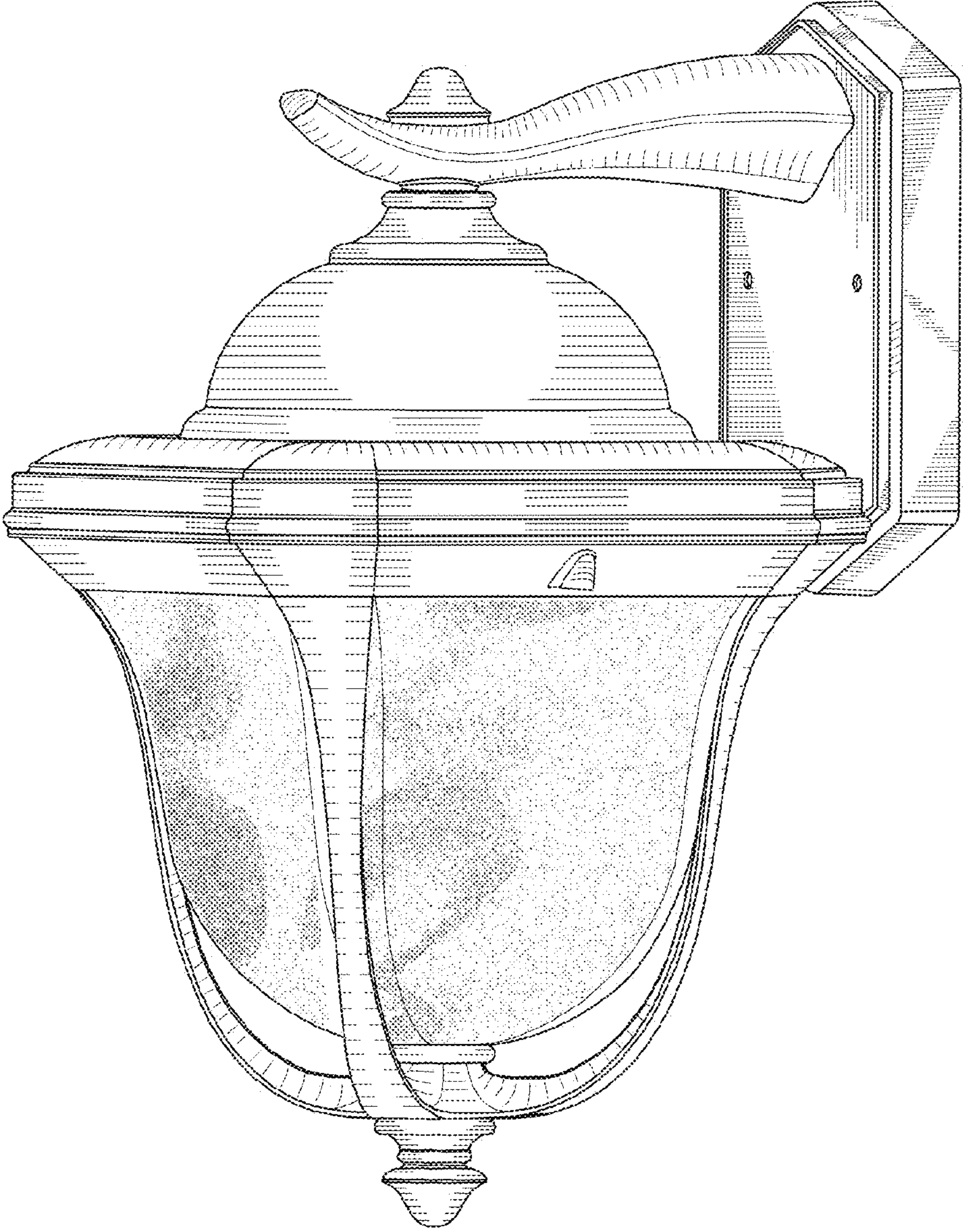


FIG. 2

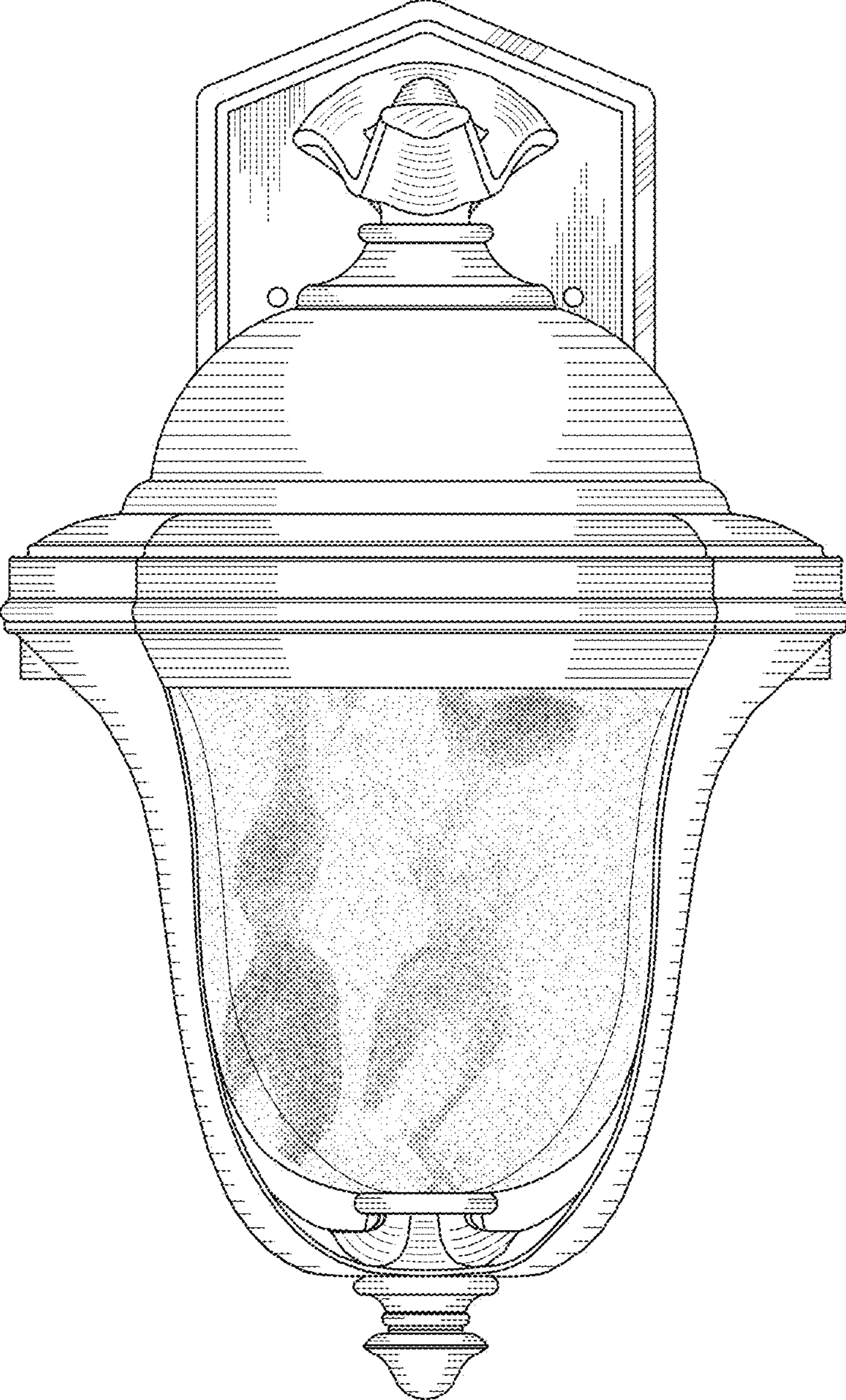


FIG. 3

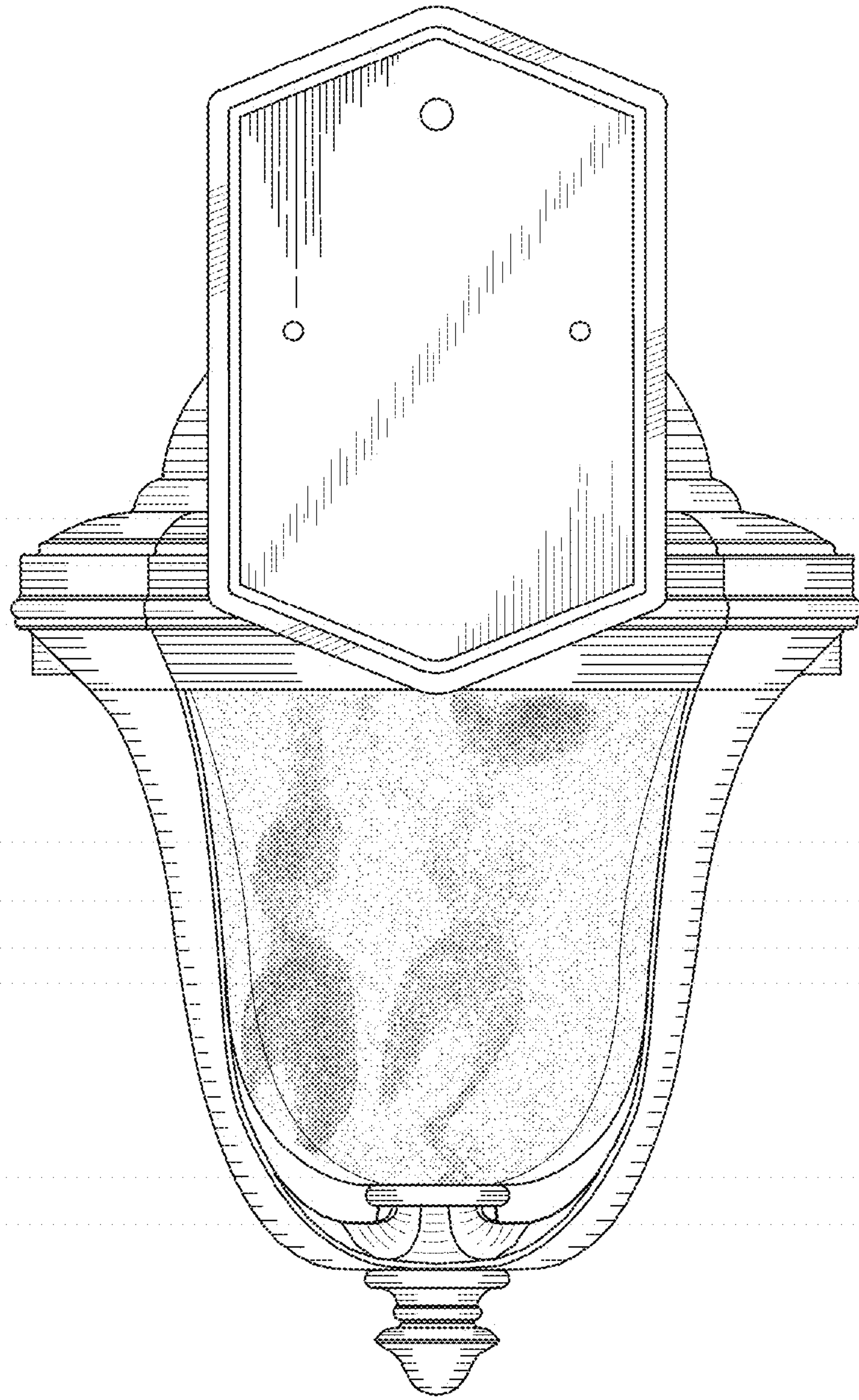


FIG. 4

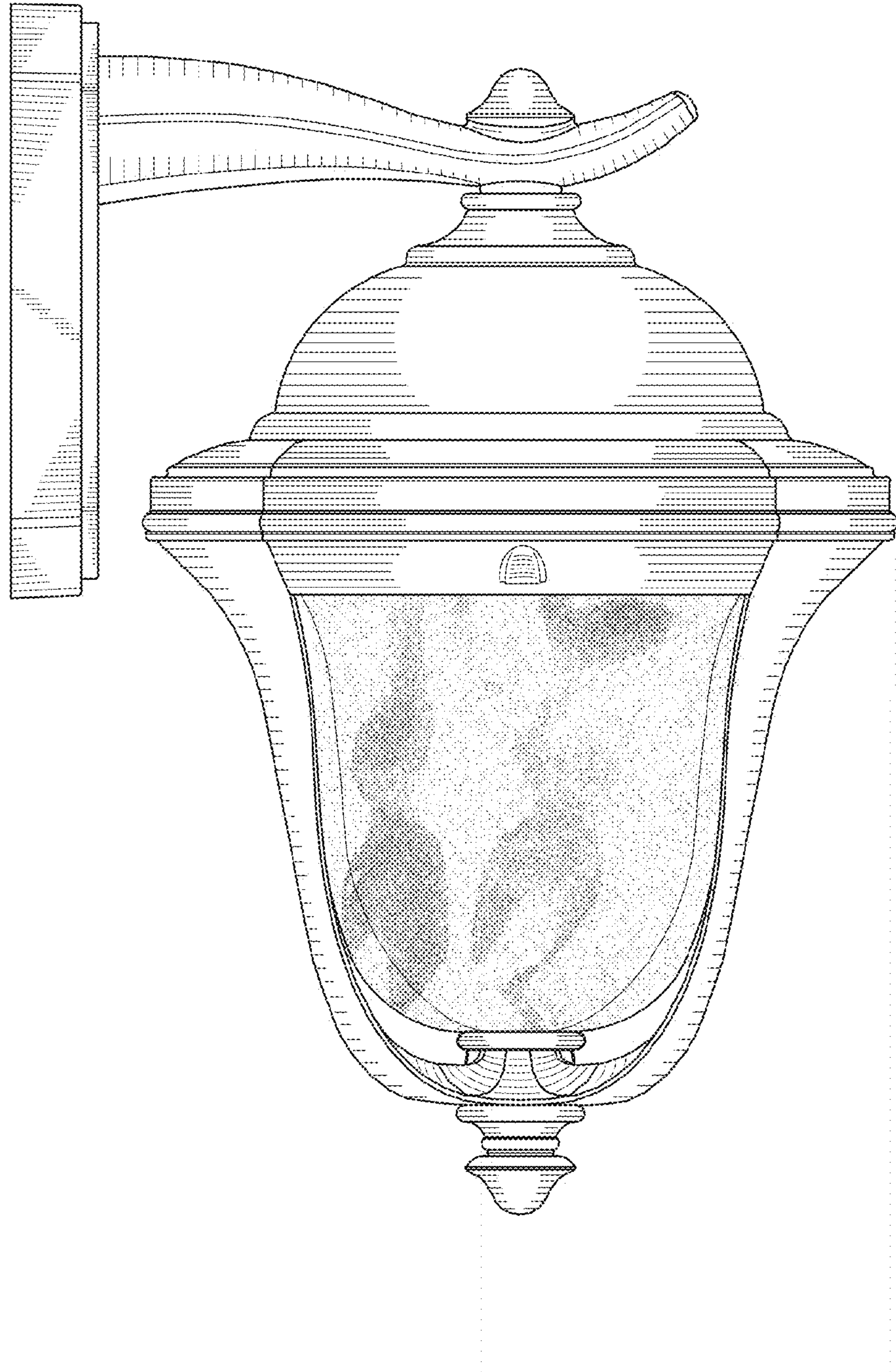


FIG. 5

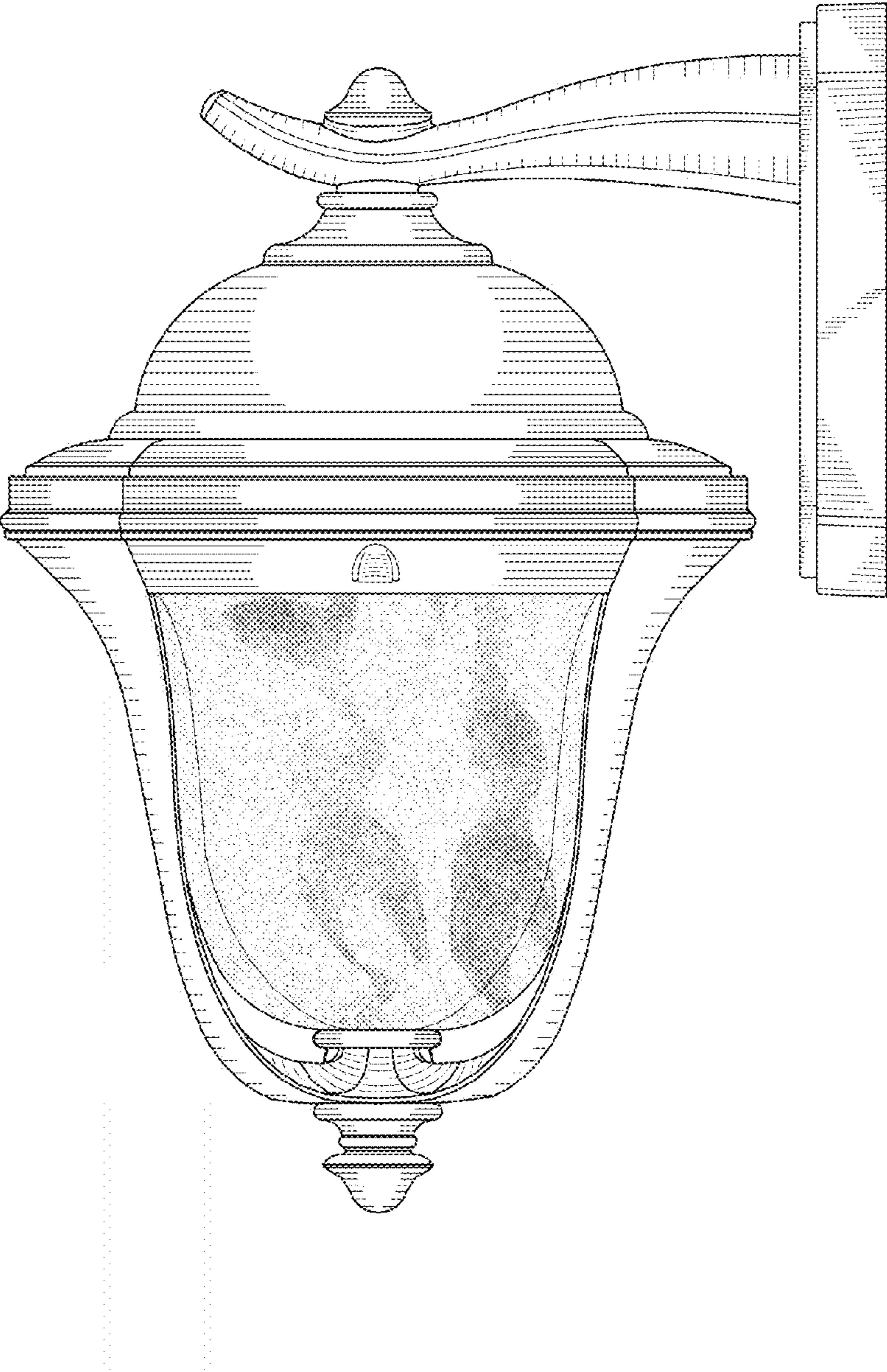


FIG. 6

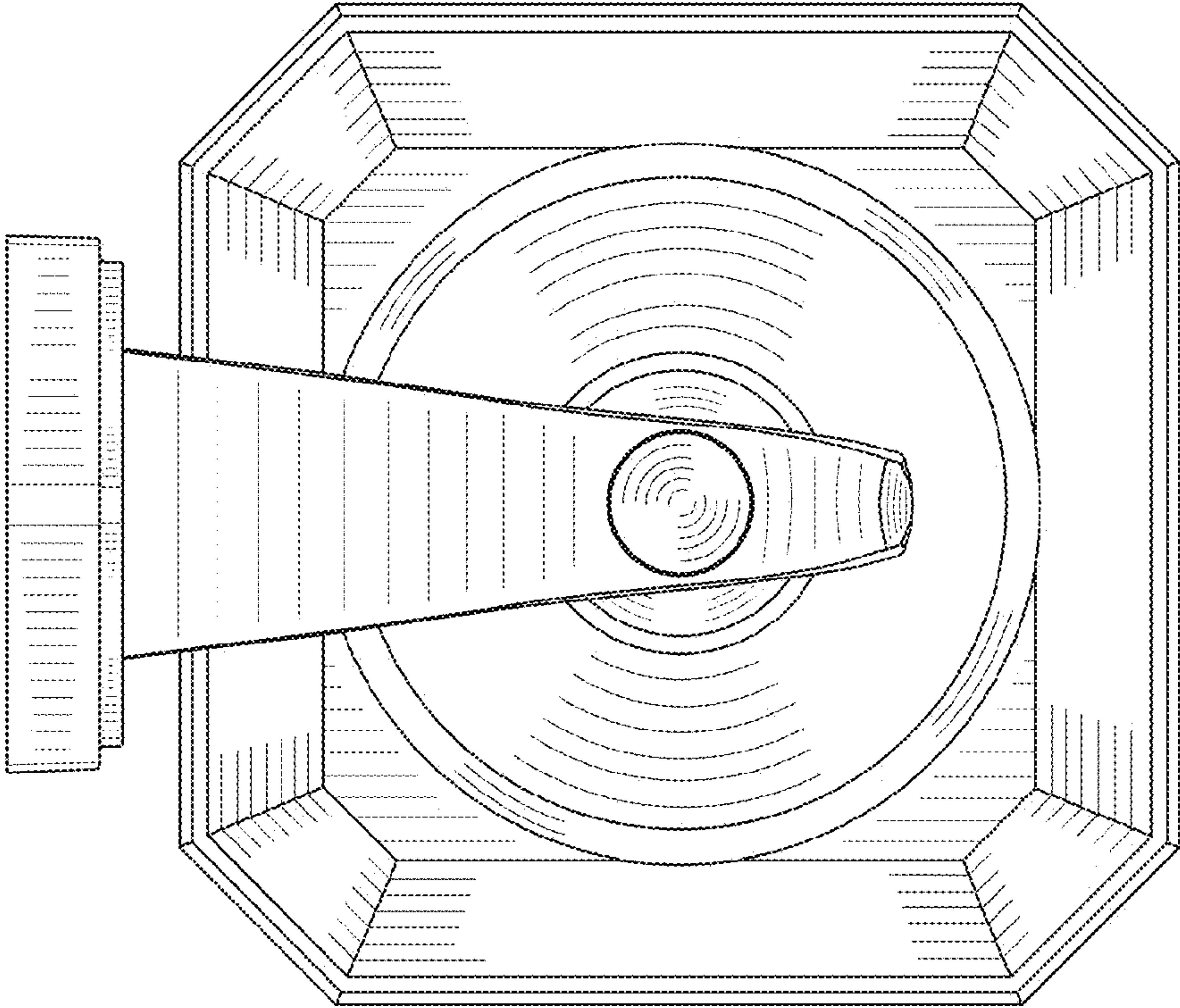


FIG. 7

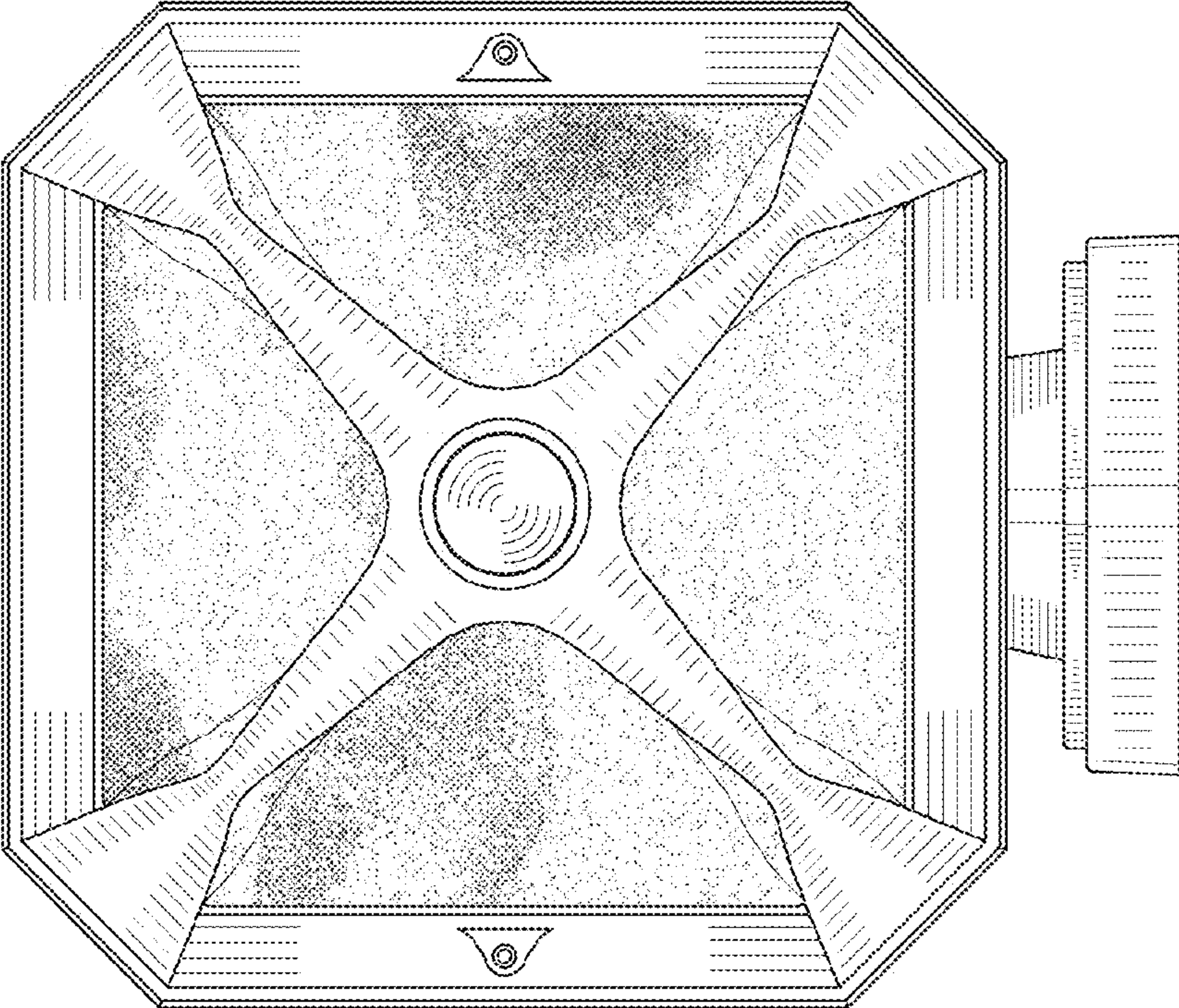


FIG. 8

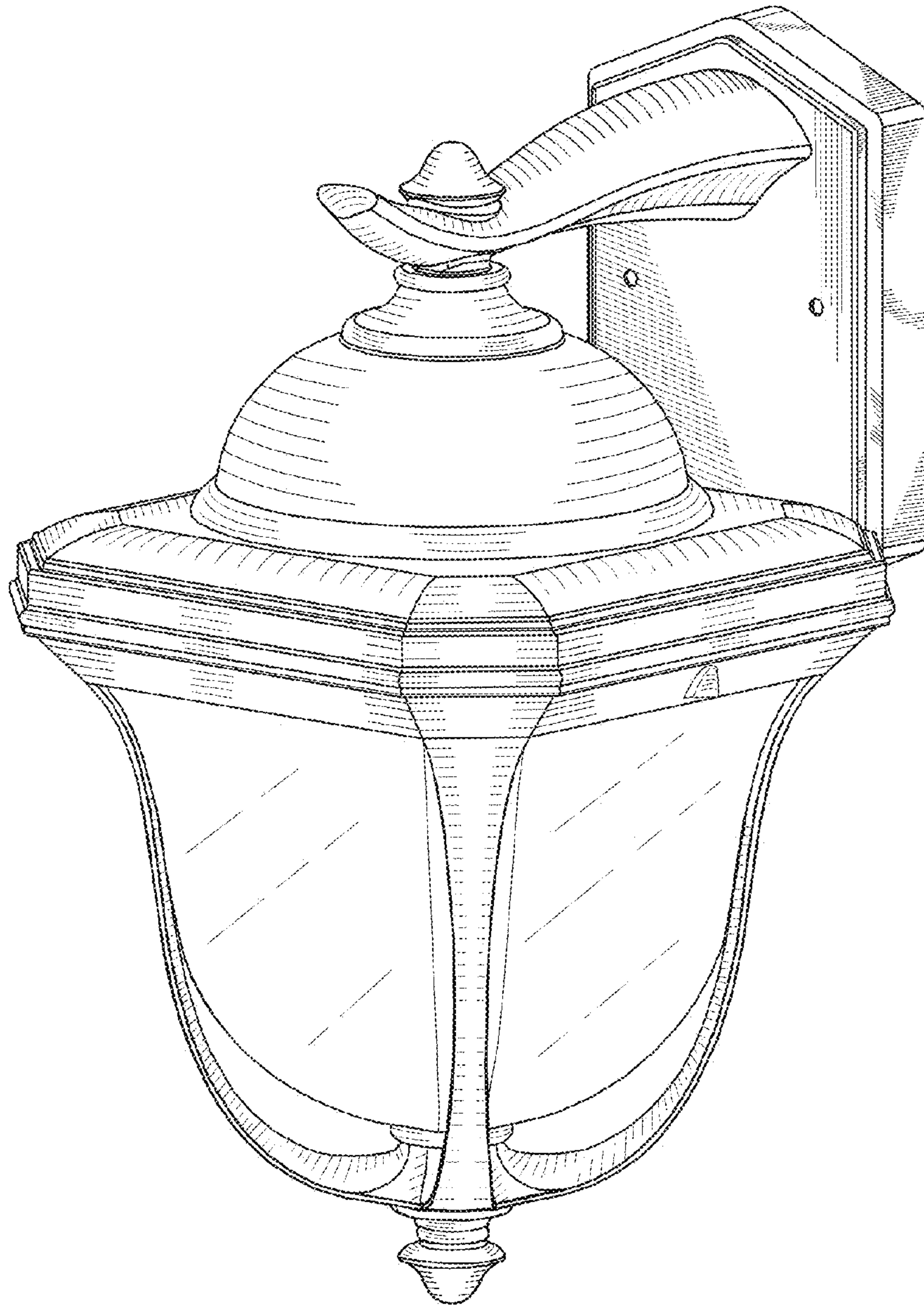


FIG. 9

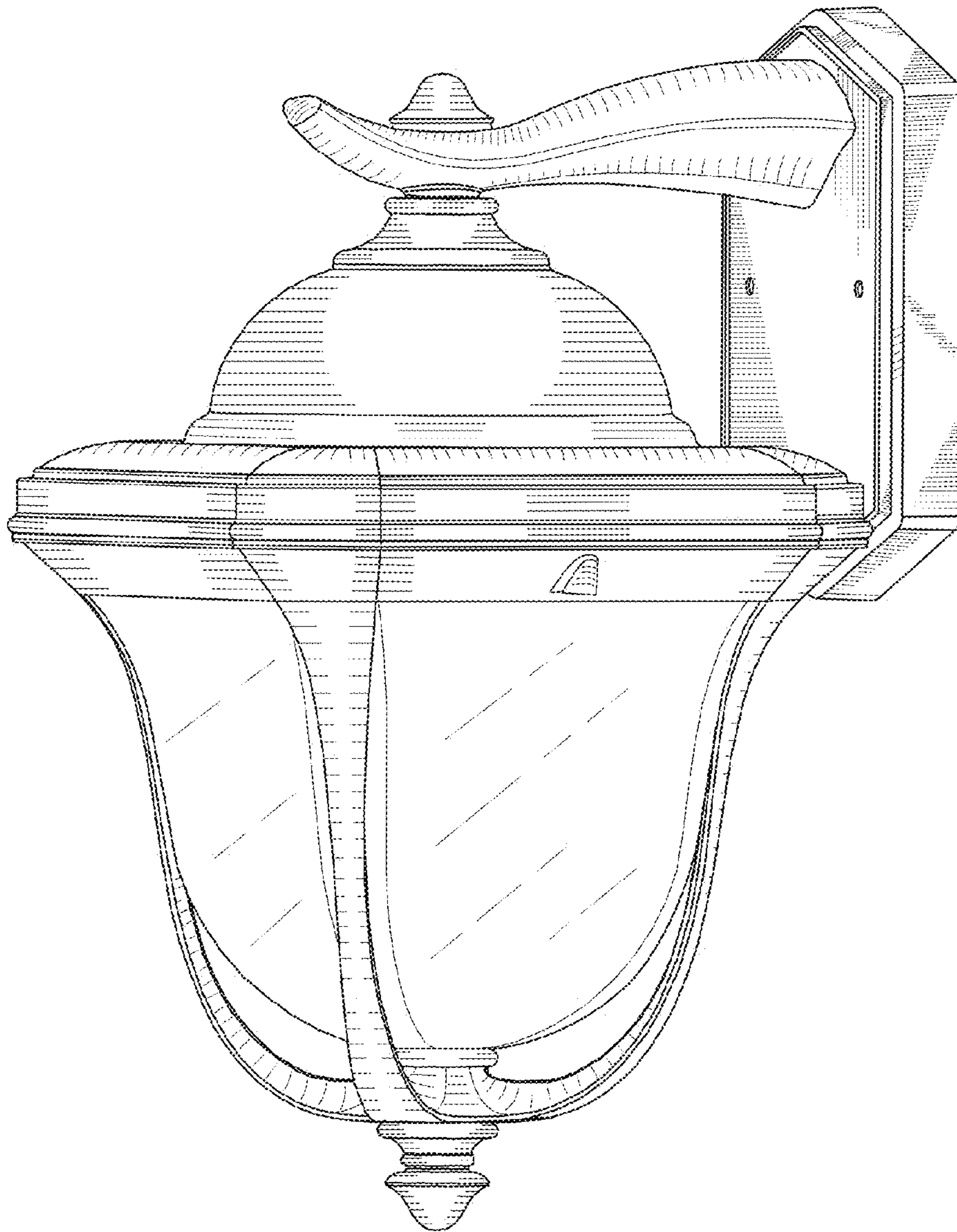


FIG. 10

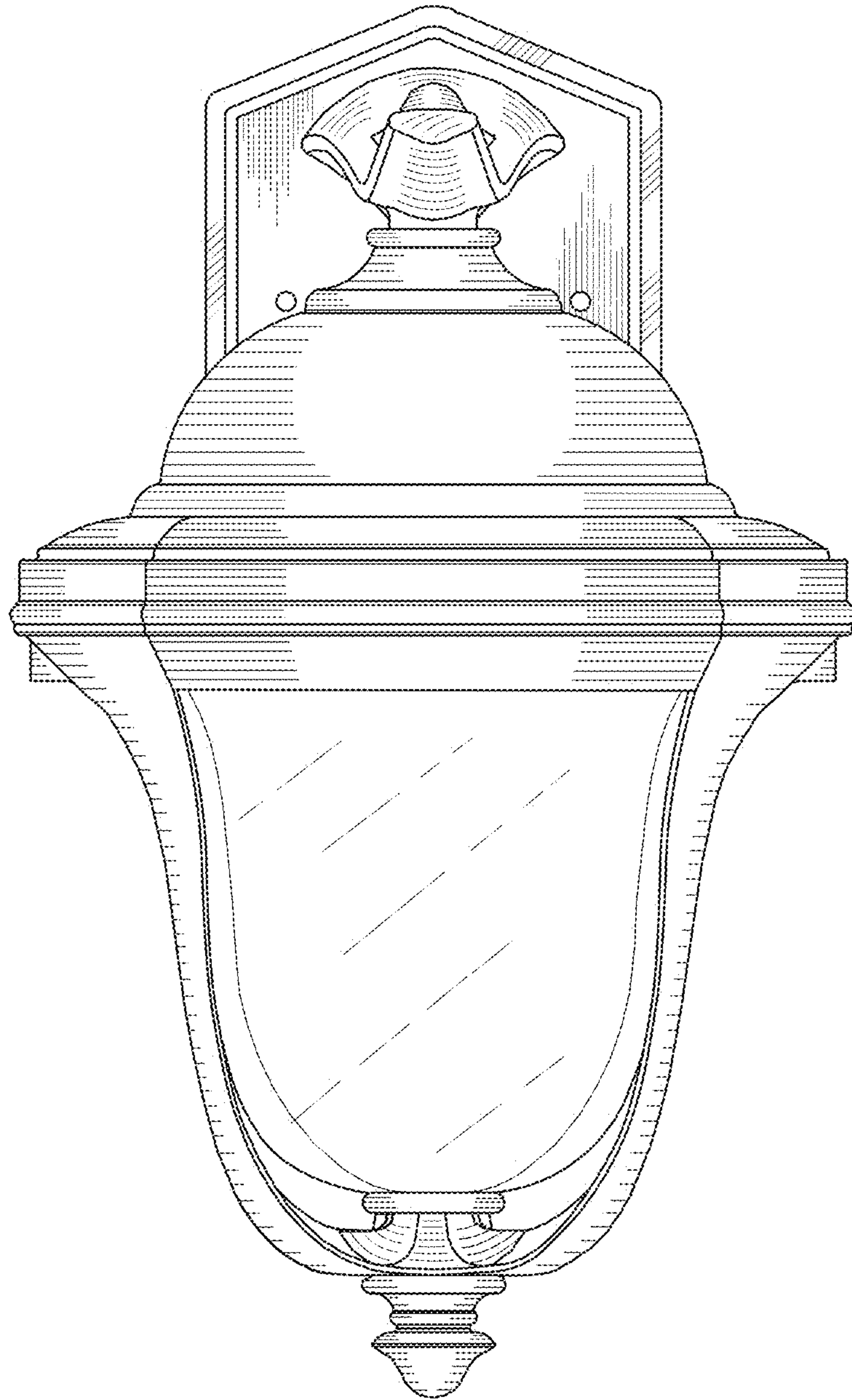


FIG. 11

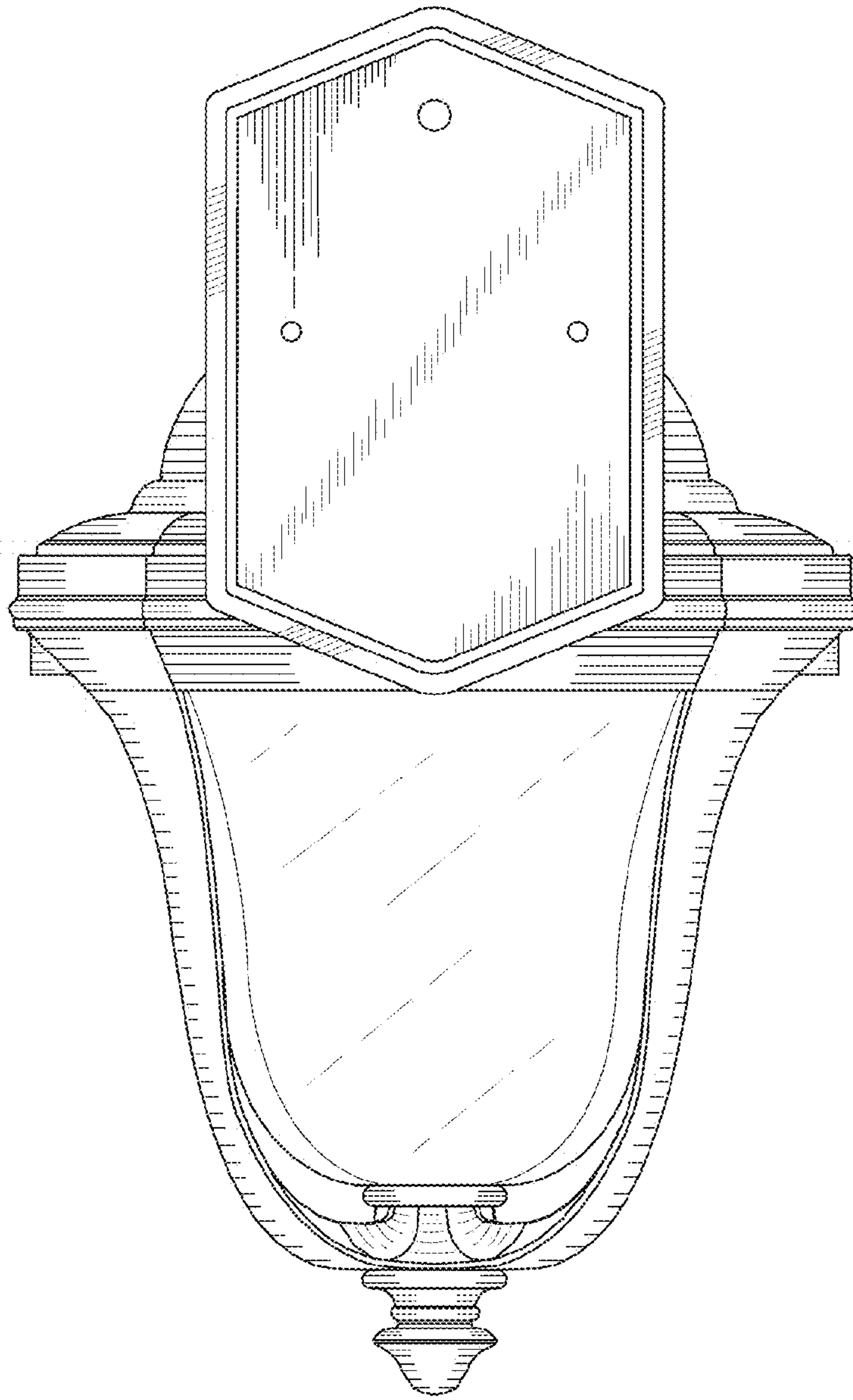


FIG. 12

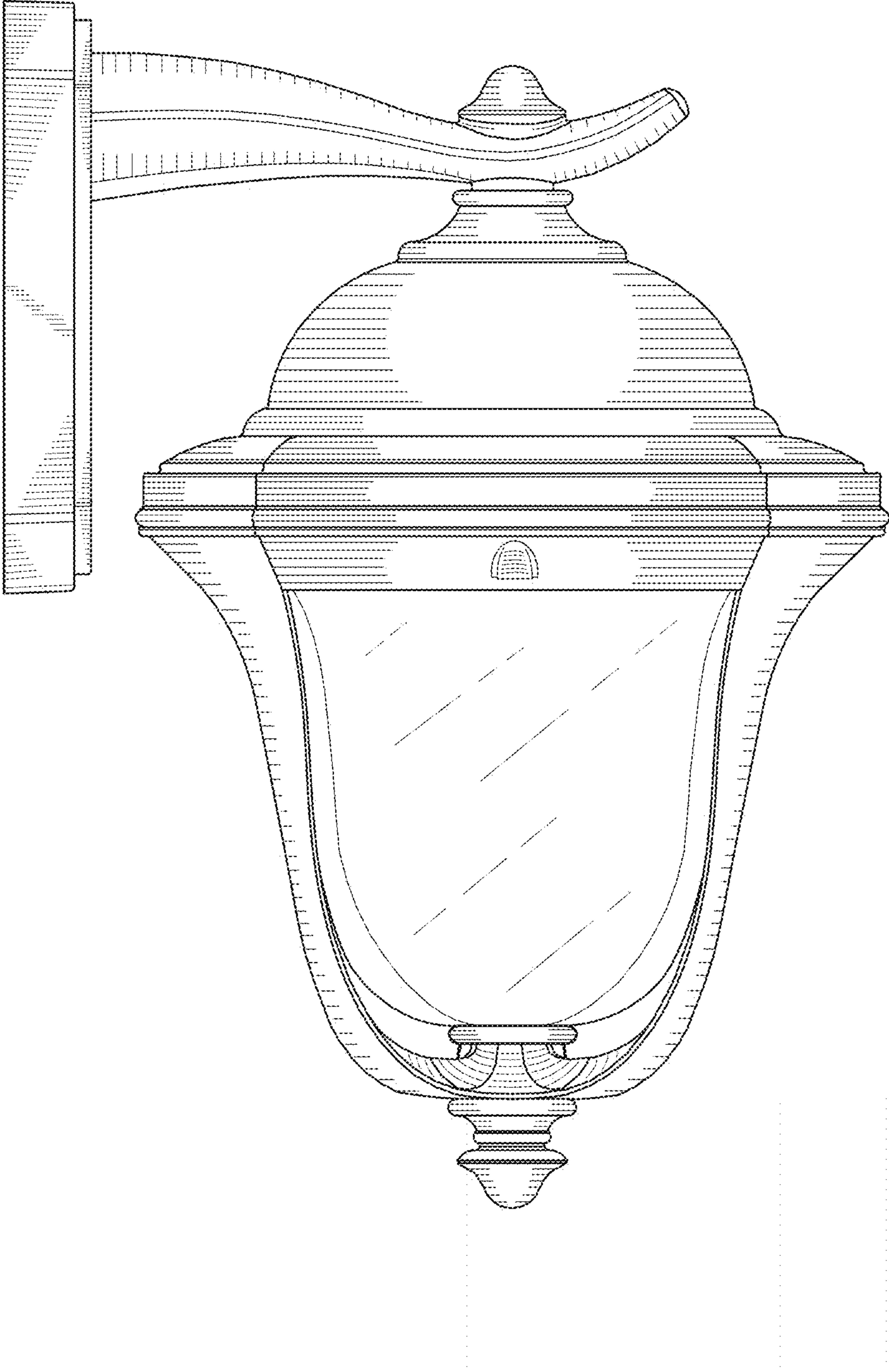


FIG. 13

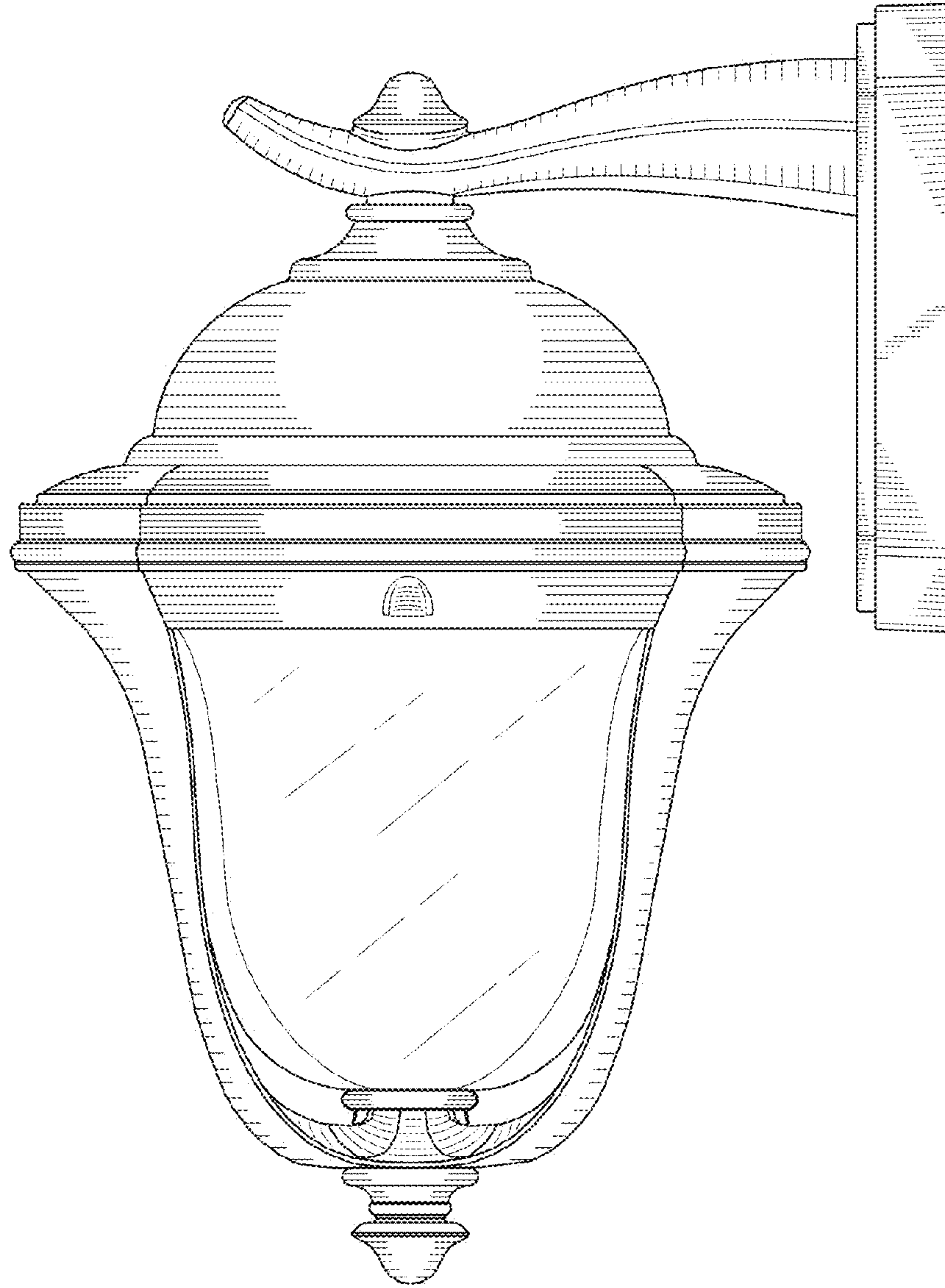


FIG. 14

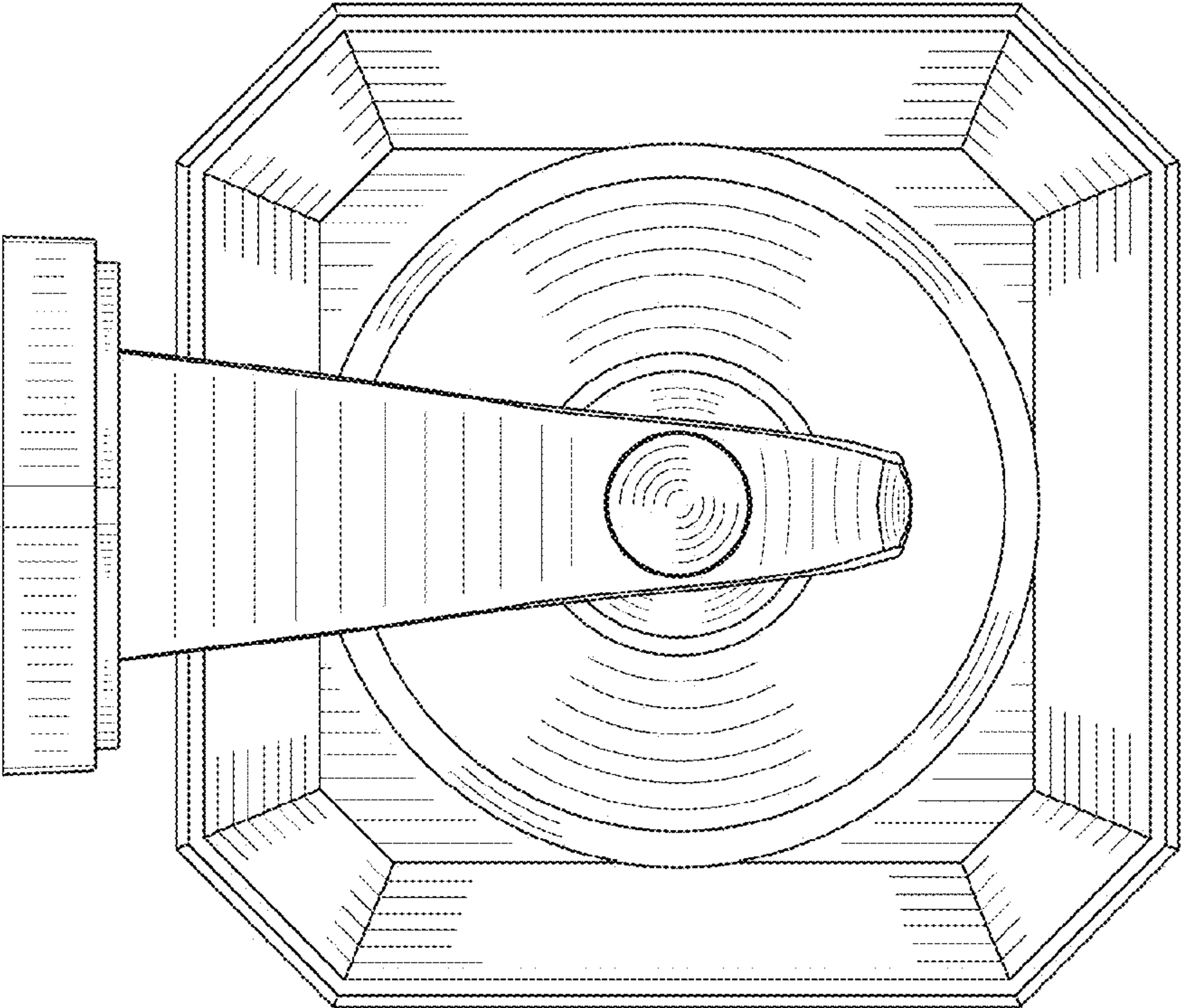


FIG. 15

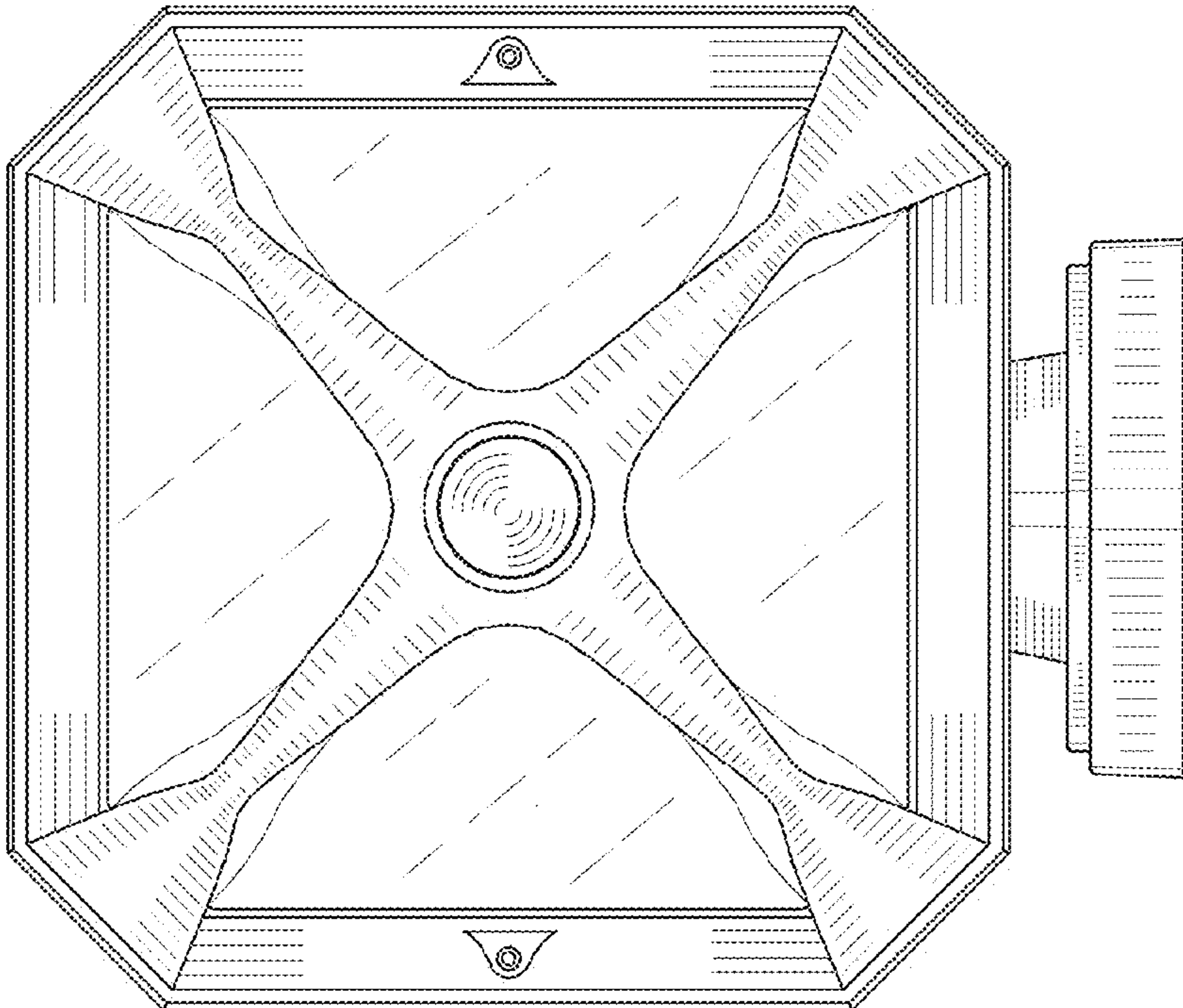


FIG. 16