



US00D723205S

(12) **United States Design Patent**
Prommel et al.

(10) **Patent No.:** **US D723,205 S**

(45) **Date of Patent:** **** Feb. 24, 2015**

(54) **SOLAR-POWERED LIGHTING DEVICE AND CHARGING STATION**

(71) Applicant: **Goal Zero LLC**, Bluffdale, UT (US)

(72) Inventors: **Mark Prommel**, Brooklyn, NY (US);
Marco Perry, Brooklyn, NY (US); **Pil Ho Chung**, Jersey City, NJ (US); **Kevin O’Leary**, Brooklyn, NY (US); **Avi Bajpai**, Brooklyn, NY (US)

(73) Assignee: **Goal Zero LLC**, Bluffdale, UT (US)

(**) Term: **14 Years**

(21) Appl. No.: **29/483,238**

(22) Filed: **Feb. 26, 2014**

(51) **LOC (10) Cl.** **26-05**

(52) **U.S. Cl.**
USPC **D26/70**

(58) **Field of Classification Search**
USPC D26/67–71; 362/431
See application file for complete search history.

(56) **References Cited**

U.S. PATENT DOCUMENTS

D186,547 S *	11/1959	Burton	D26/69
D195,310 S *	5/1963	Zagel	D26/70
D202,372 S *	9/1965	Deskey et al.	D26/69
4,486,820 A *	12/1984	Baba et al.	362/183
D279,410 S *	6/1985	Fiorentino et al.	D26/69
7,131,753 B1 *	11/2006	Edwards, Jr.	362/405
D582,594 S *	12/2008	Zhou et al.	D26/69
D598,156 S *	8/2009	Xiao et al.	D26/69
D622,432 S *	8/2010	Yan	D26/69
D642,723 S *	8/2011	Zheng	D26/70
7,988,413 B2 *	8/2011	Haar	416/31
D647,236 S *	10/2011	Chang	D26/70
8,288,884 B1 *	10/2012	Malcolm	290/55
D679,042 S *	3/2013	Yu	D26/69

D679,847 S *	4/2013	Arnold et al.	D26/70
D700,730 S *	3/2014	Behar et al.	D26/69
2004/0228118 A1	11/2004	Peterson	
2009/0040750 A1 *	2/2009	Myer	362/183
2014/0028242 A1	1/2014	Akin et al.	

OTHER PUBLICATIONS

Enerfusion Inc., Solar Power-Dok, Product Brochure, retrieved from the internet at <http://www.enerfusioninc.com/sites/default/files/brochures/solar-dok-1.pdf>, understood to be publically available Apr. 18, 2011, 3 pages.

(Continued)

Primary Examiner — Clare E Heflin

(74) *Attorney, Agent, or Firm* — Foley & Lardner LLP

(57) **CLAIM**

We claim the ornamental design for a solar powered lighting device and charging station, as shown and described.

DESCRIPTION

FIG. 1 is a front perspective view of a first embodiment of the claimed design;

FIG. 2 is a front view of the embodiment of FIG. 1;

FIG. 3 is a rear view of the embodiment of FIG. 1;

FIG. 4 is a right side view of the embodiment of FIG. 1;

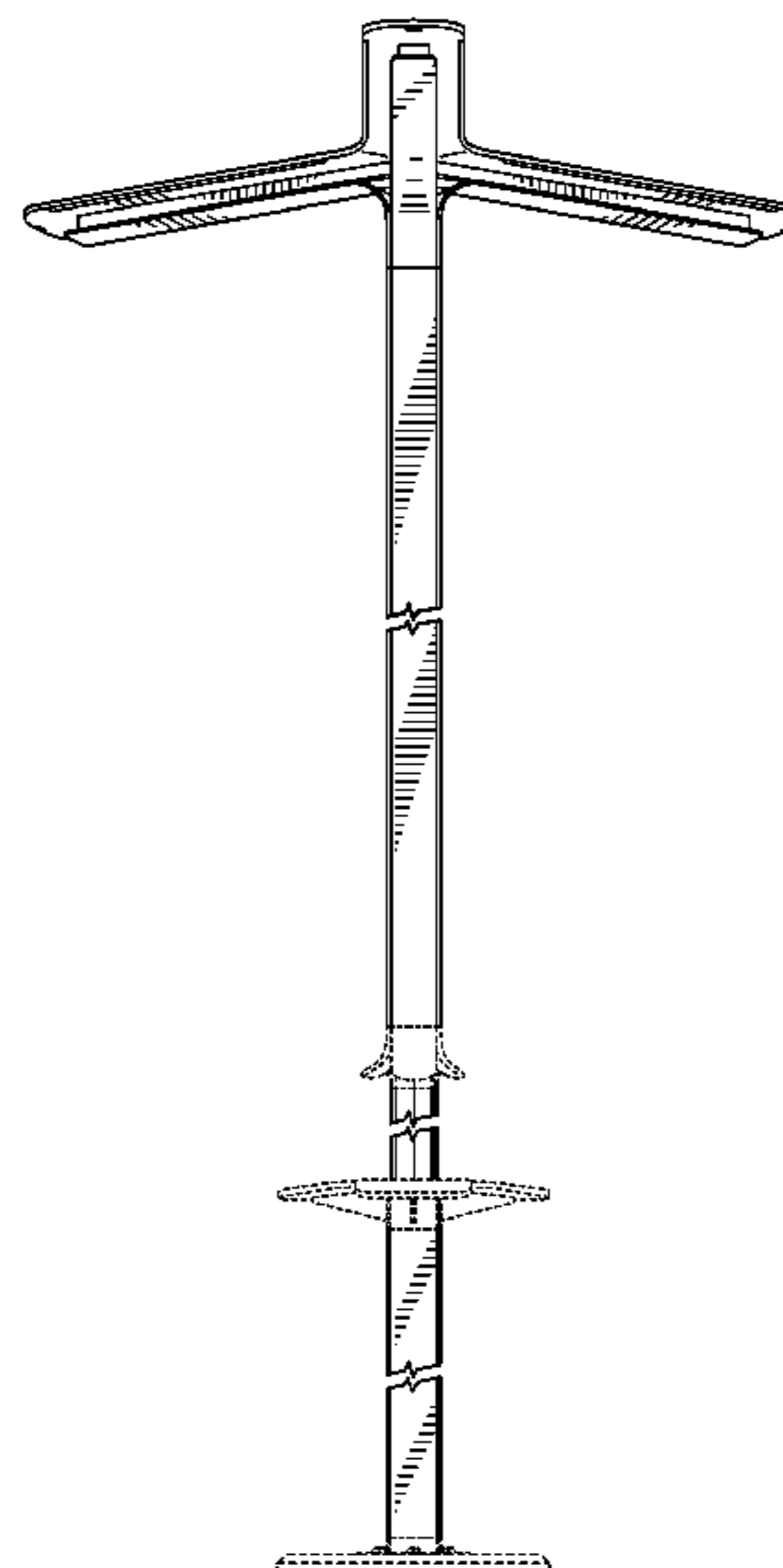
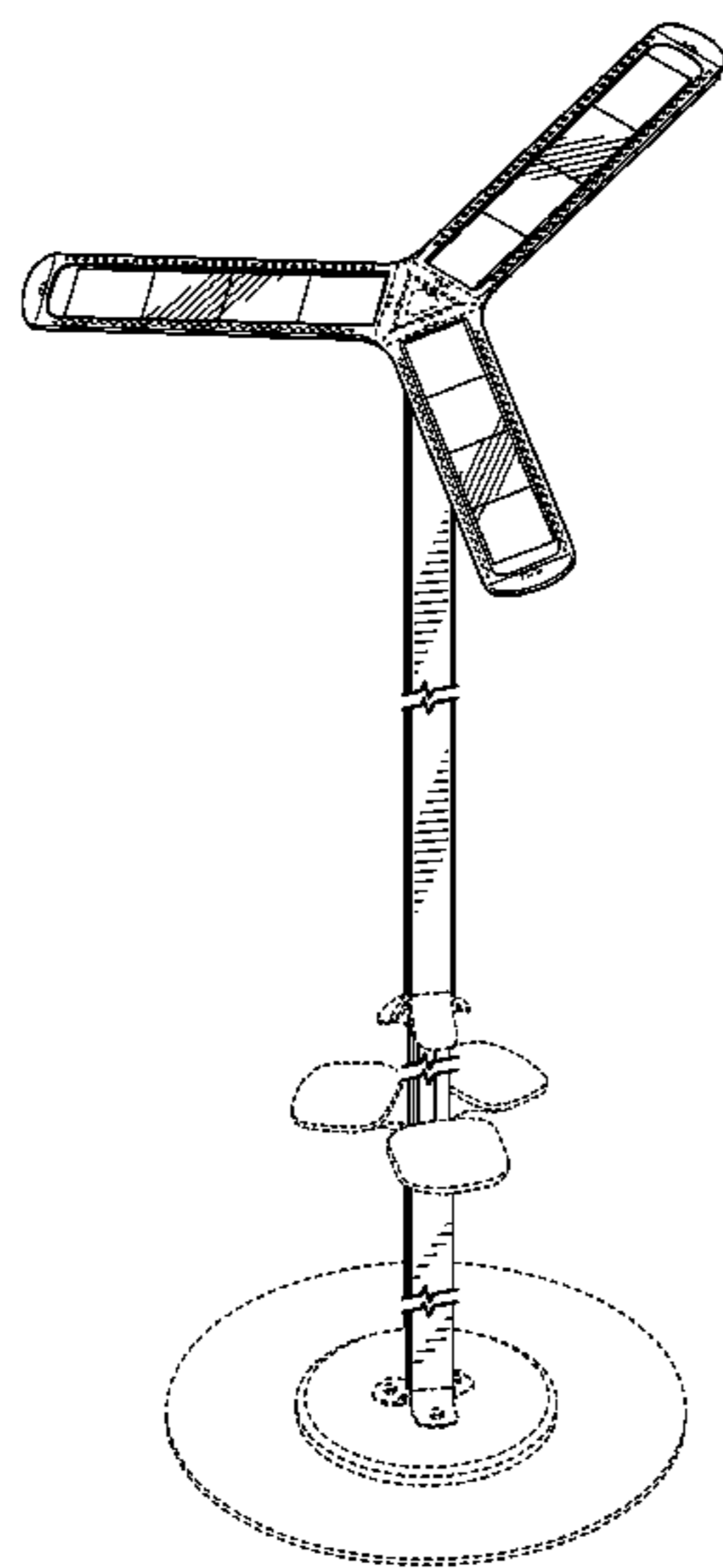
FIG. 5 is a left side view of the embodiment of FIG. 1;

FIG. 6 is a top view of the embodiment of FIG. 1; and,

FIG. 7 is a bottom view of the embodiment of FIG. 1.

The broken lines shown on the solar powered lighting device and charging station are for illustrative purposes only and form no part of the claimed design. Broken lines formed by equal length dashes indicate unclaimed portions of the design. Broken lines formed of unequal length dashes (i.e., dash-dot) indicate boundaries between claimed and unclaimed portions of the design. Broken lines having a jagged element show that no particular length of the portion is claimed.

1 Claim, 7 Drawing Sheets



(56)

References Cited

OTHER PUBLICATIONS

Enerfusion Solstice, Product Brochure, retrieved from the internet at
<http://www.enerfusioninc.com/sites/default/files/brochures/sol>

stice-1.pdf, understood to be publically available Jun. 17, 2013, 3 pages.

City Charge, Product Images, retrieved from <http://green-barrelenergy.com>, understood to be publically available on Jan. 1, 2014, 3 pages.

* cited by examiner

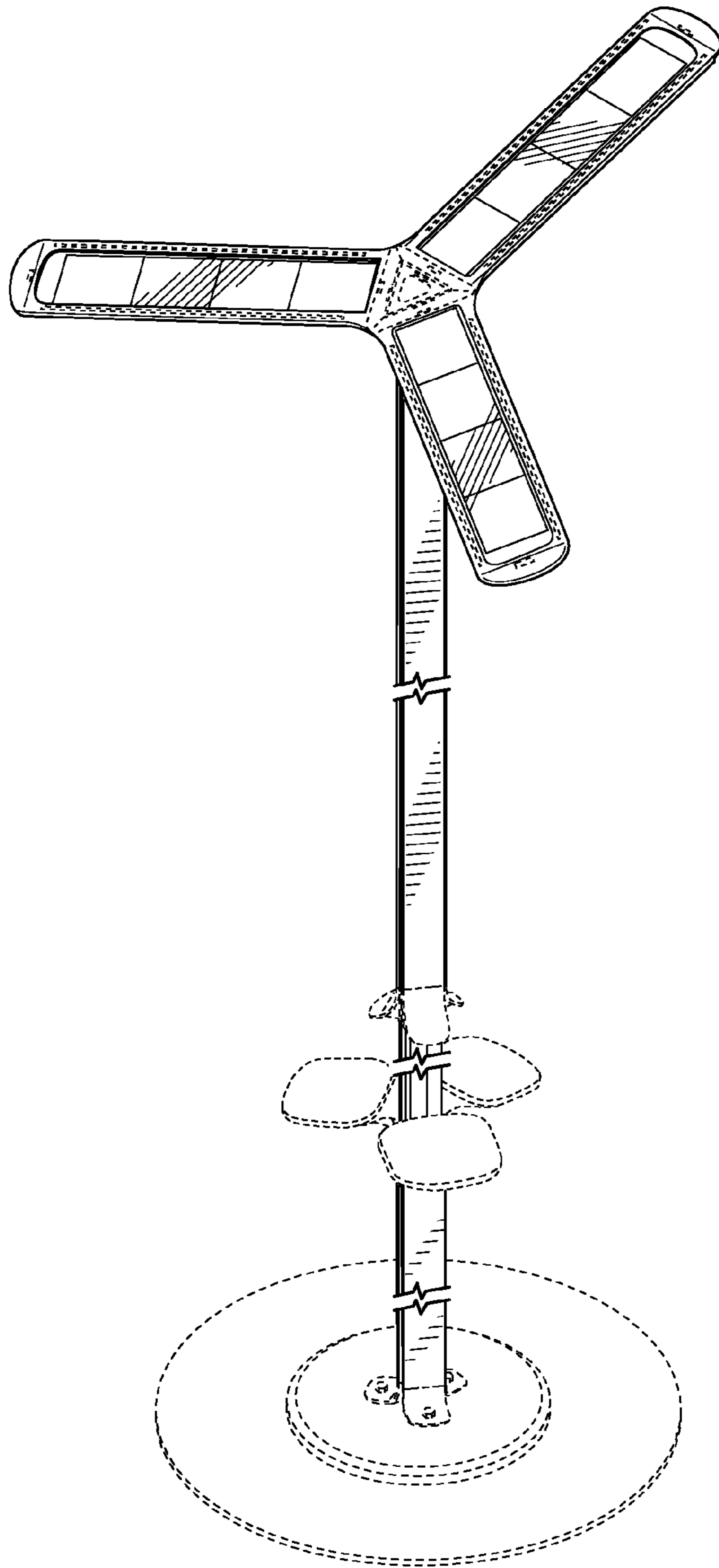


FIG. 1

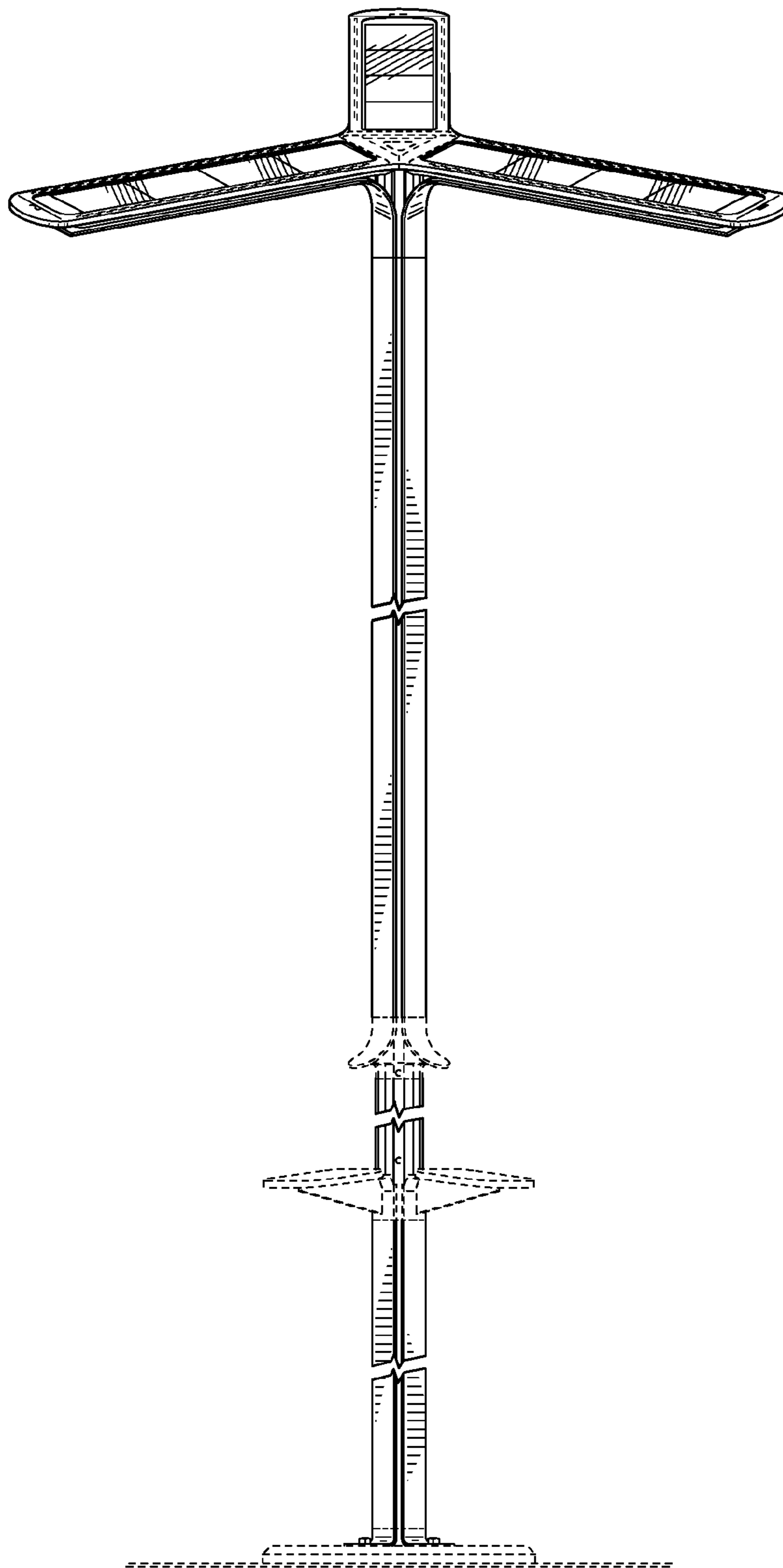


FIG. 2

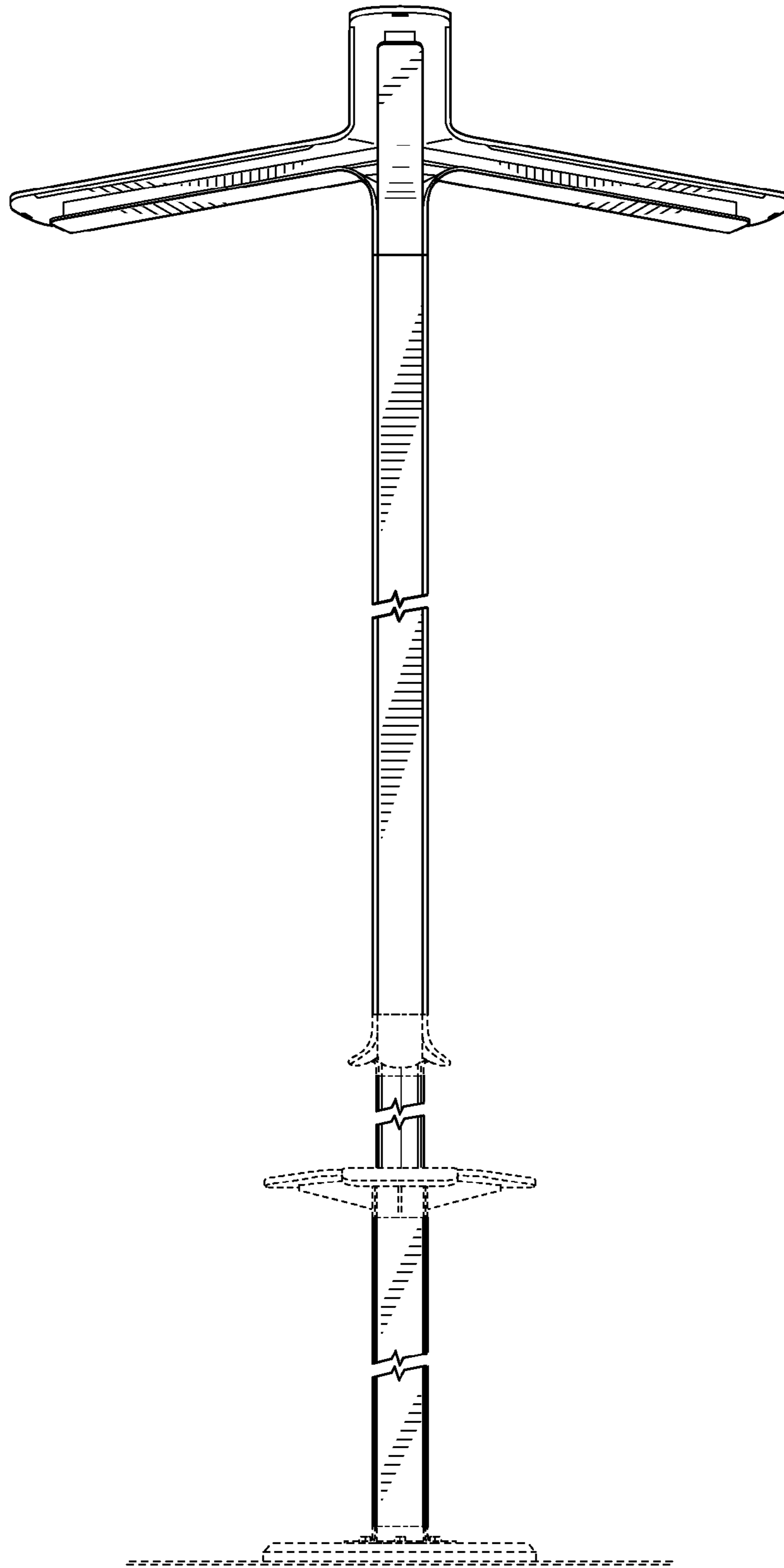


FIG. 3

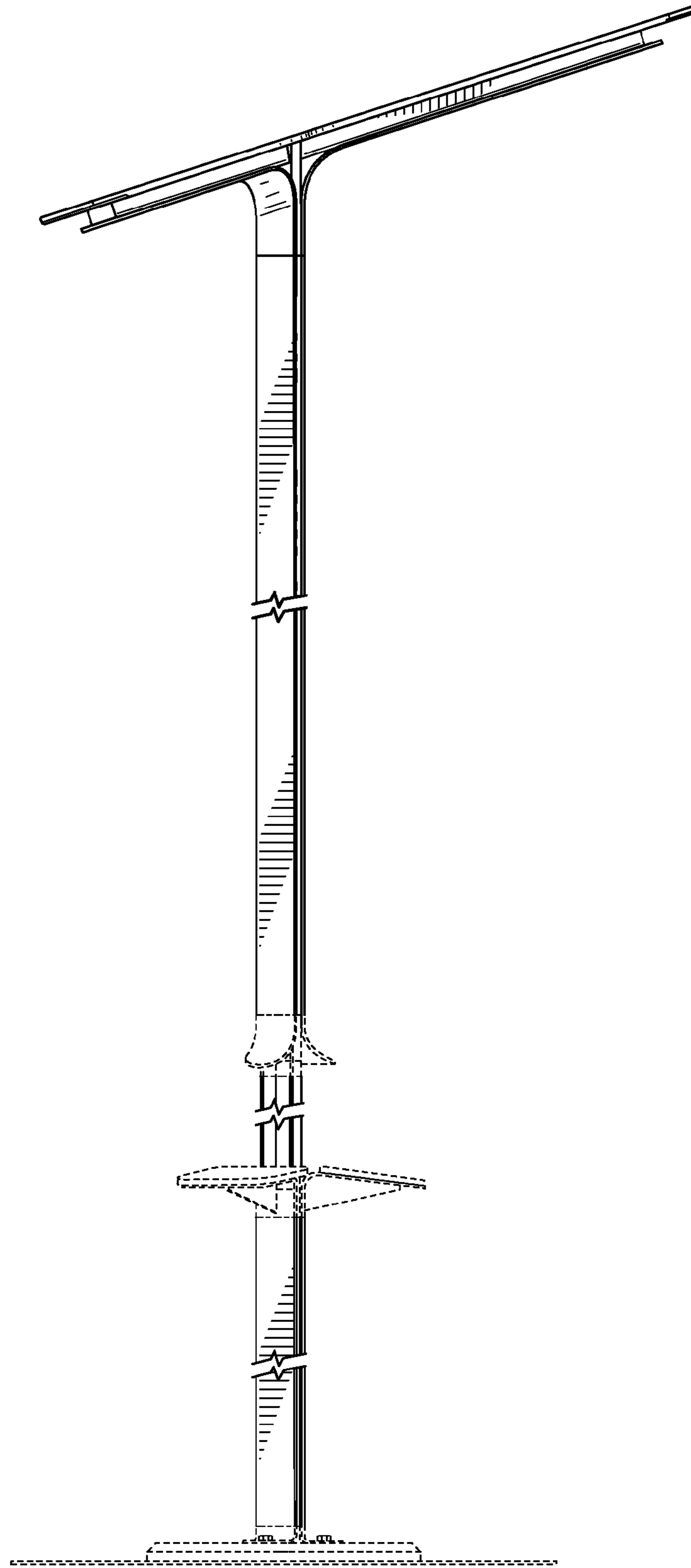


FIG. 4

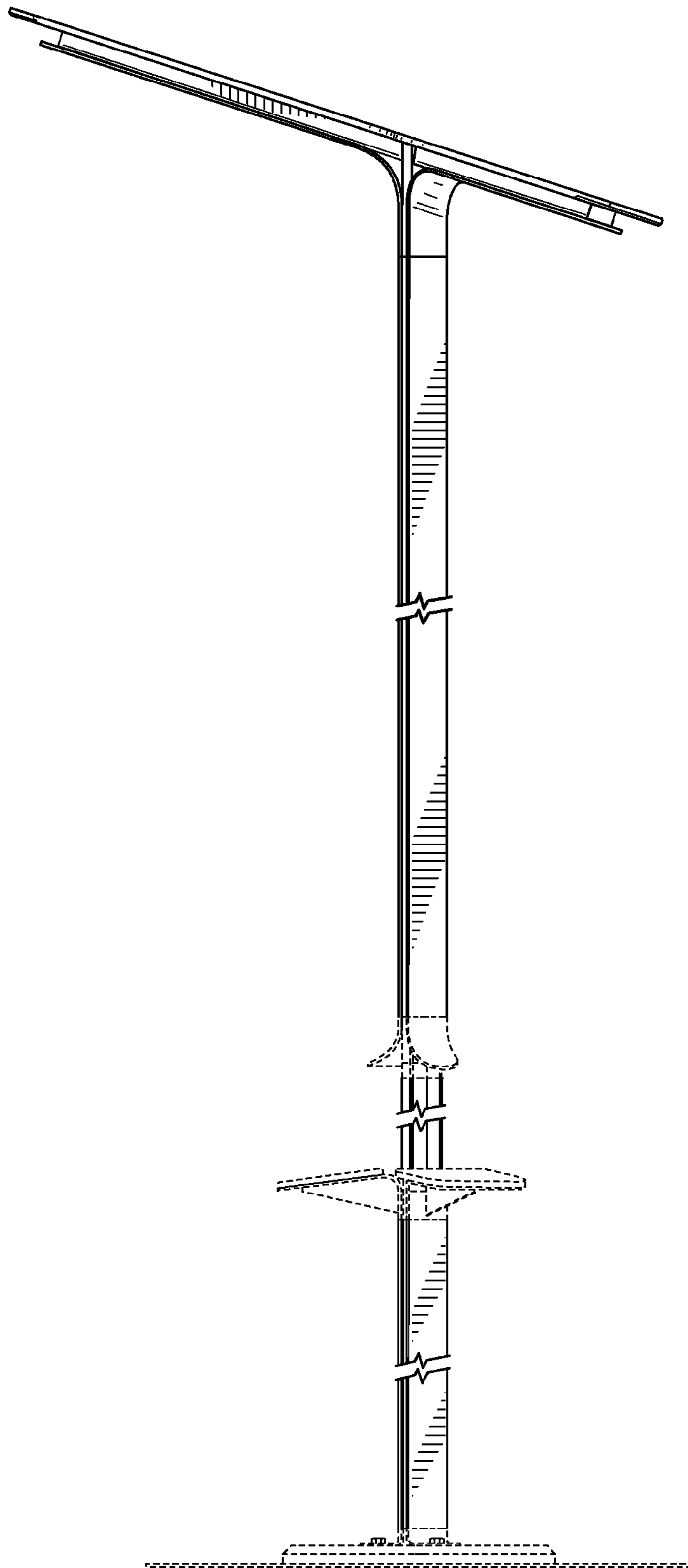


FIG. 5

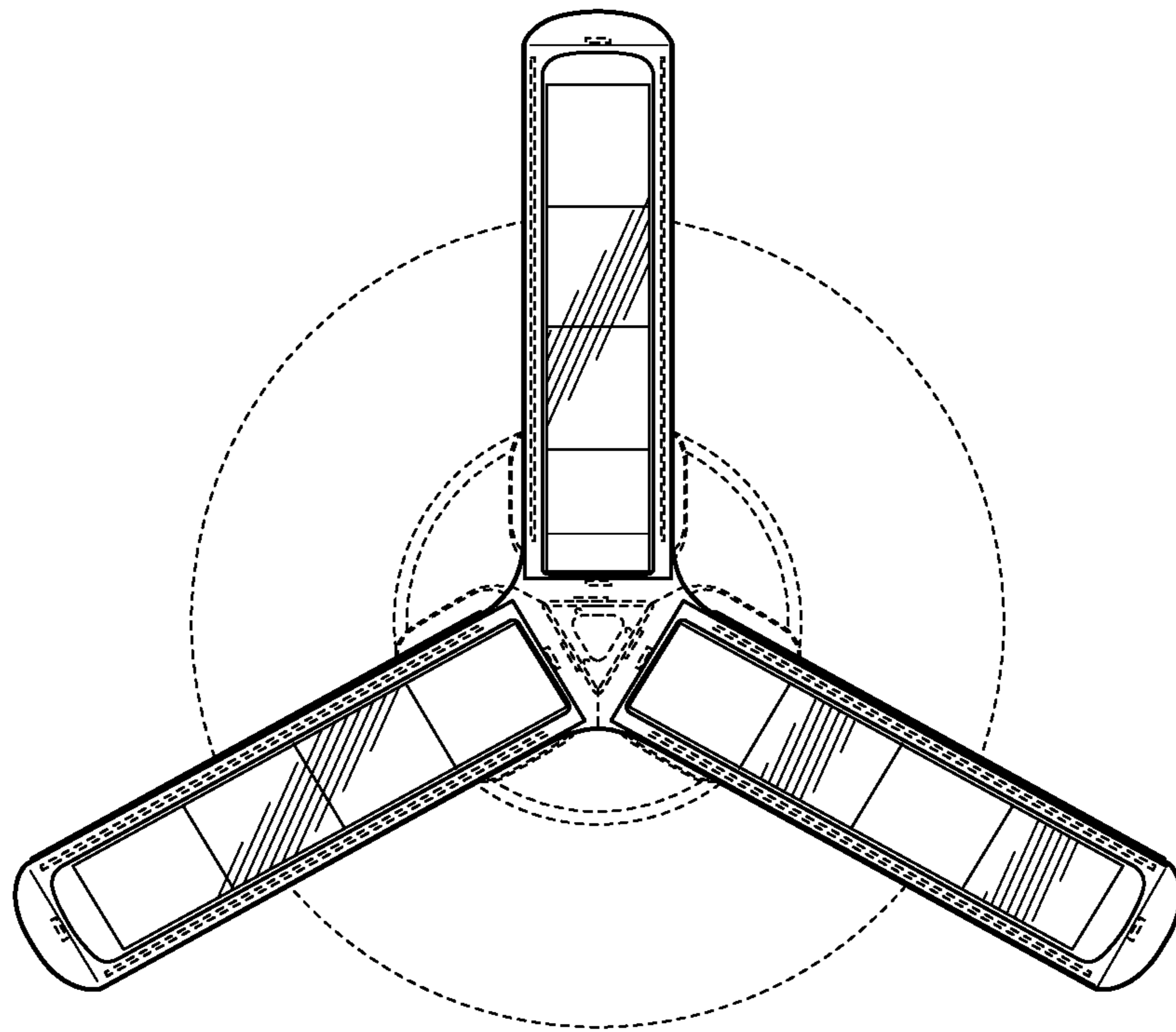


FIG. 6

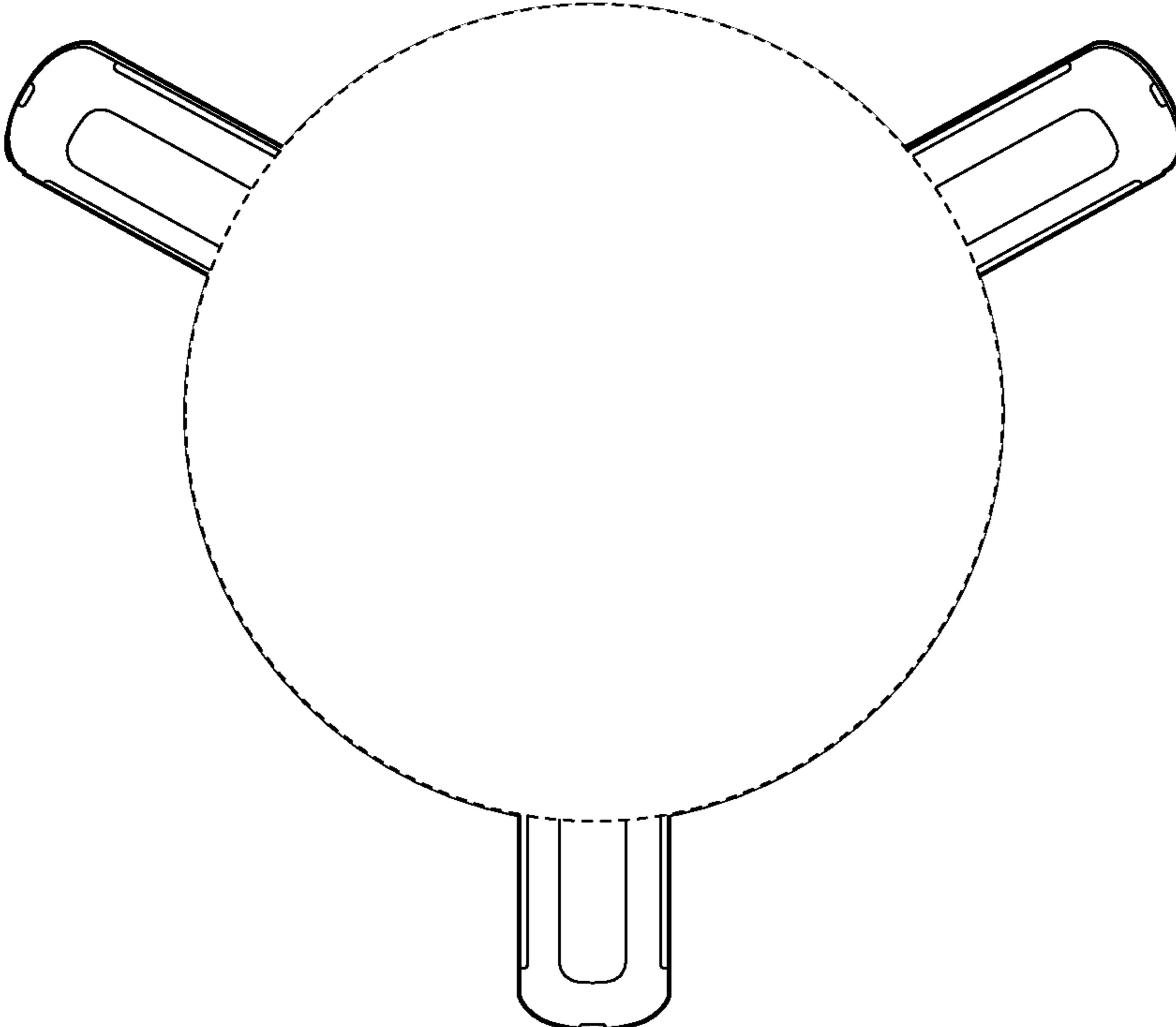


FIG. 7