

US00D723204S

(12) **United States Design Patent**  
**McGowan**

(10) **Patent No.:** **US D723,204 S**  
(45) **Date of Patent:** **\*\* Feb. 24, 2015**

- (54) **ILLUMINATION DEVICE**
- (71) Applicant: **Triplet Music Products Inc.**, Ottawa (CA)
- (72) Inventor: **John G. McGowan**, Ottawa (CA)
- (73) Assignee: **Triplet Music Products Inc.**, Ottawa, ON (CA)
- (\*\*) Term: **14 Years**
- (21) Appl. No.: **29/454,626**
- (22) Filed: **May 13, 2013**
- (51) **LOC (10) Cl.** ..... **26-05**
- (52) **U.S. Cl.**  
USPC ..... **D26/60; D26/28**
- (58) **Field of Classification Search**  
USPC ..... D26/60, 28-36; 362/459-468, 362/475-478, 485-487  
See application file for complete search history.

7,695,180 B2 4/2010 Schardt et al.  
D668,802 S \* 10/2012 Finch ..... D26/28  
2003/0103351 A1 6/2003 Privas et al.

(Continued)

**FOREIGN PATENT DOCUMENTS**

EP 1371897 12/2003  
FR 2424004 11/1979  
WO 95/33624 12/1995

**OTHER PUBLICATIONS**

Abileah, A. "Backlight-Unit Basics." Information Display: Guest Editorial. vol. 28, No. 4, Apr. 2012, pp. 6, 48 (2 pages).

(Continued)

*Primary Examiner* — Philip S Hyder  
*Assistant Examiner* — Darlington Ly  
(74) *Attorney, Agent, or Firm* — Nixon Peabody LLP

(57) **CLAIM**

We claim the ornamental design for an illumination device, as shown and described.

**DESCRIPTION**

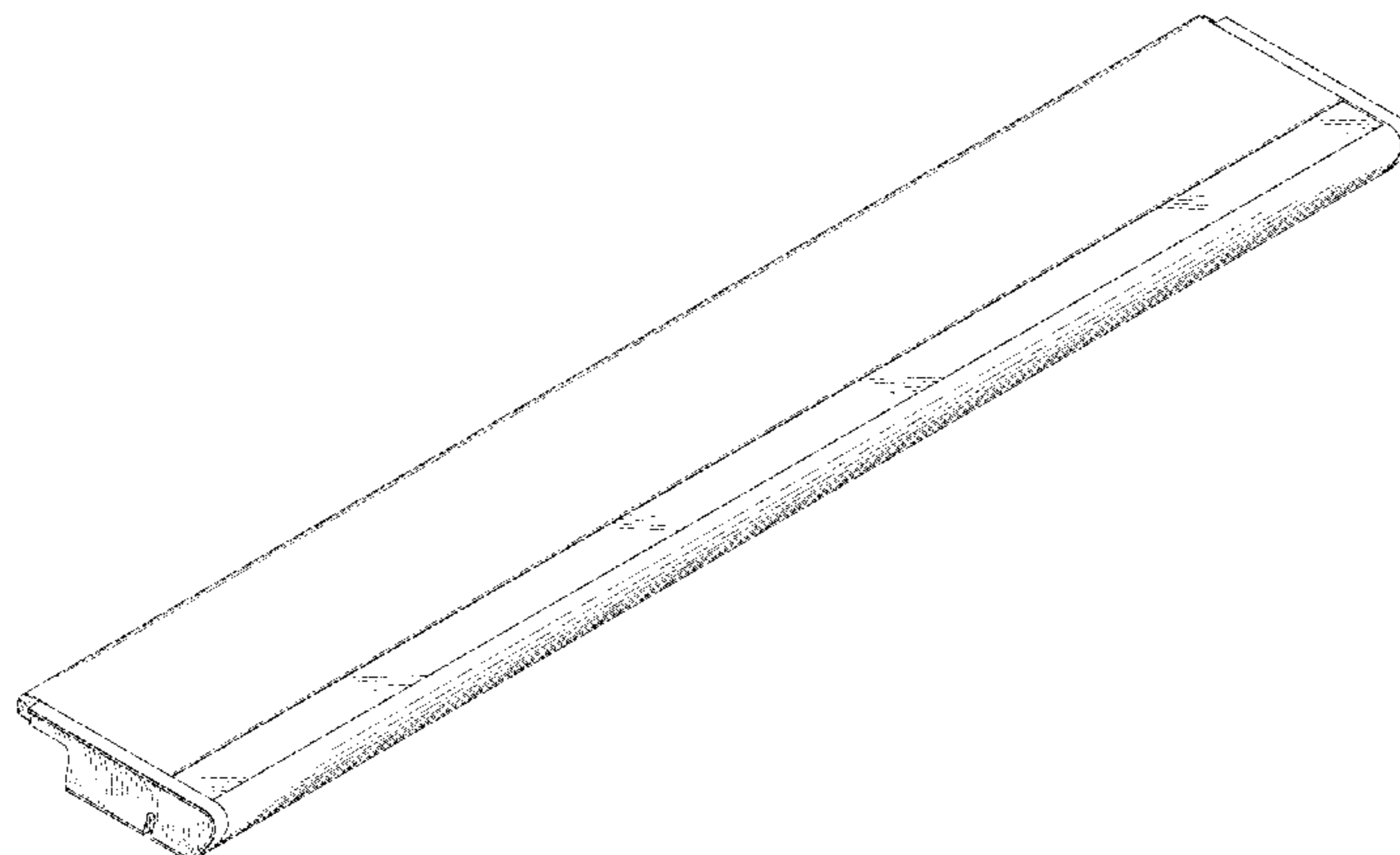
FIG. 1 is a front perspective of an illumination device.  
FIG. 2 is a top plan view of the illumination device shown in FIG. 1.  
FIG. 3 is a front elevation of the illumination device shown in FIG. 1.  
FIG. 4 is a bottom plan view of the illumination device shown in FIG. 1.  
FIG. 5 is a rear elevation of the illumination device shown in FIG. 1.  
FIG. 6 is a left end elevation of the illumination device shown in FIG. 1; and,  
FIG. 7 is a right end elevation of the illumination device shown in FIG. 1.  
The features shown in broken lines represent unclaimed structure.

**1 Claim, 4 Drawing Sheets**

(56) **References Cited**

**U.S. PATENT DOCUMENTS**

3,079,491	A	2/1963	Janssen	
3,885,145	A	5/1975	Wise	
4,153,927	A	5/1979	Owens	
4,290,093	A	9/1981	Thompson et al.	
4,680,681	A	7/1987	Fisherman et al.	
5,381,310	A	1/1995	Brotz	
6,088,941	A	7/2000	Inbar et al.	
6,158,882	A *	12/2000	Bischoff, Jr. ....	362/488
6,280,052	B1	8/2001	White	
6,520,643	B1	2/2003	Holman et al.	
6,558,014	B2	5/2003	Just et al.	
6,830,356	B2	12/2004	Larocque	
6,951,403	B2	10/2005	Bennett, Jr.	
6,954,260	B2	10/2005	Arnold et al.	
7,001,060	B1	2/2006	Kimura	
7,213,941	B2 *	5/2007	Sloan et al. ....	362/246
7,261,435	B2	8/2007	Gould et al.	
7,425,088	B2 *	9/2008	Weitzel ..... ..	362/540
7,611,260	B1	11/2009	Lin et al.	



(56)

**References Cited**

U.S. PATENT DOCUMENTS

2008/0204888 A1 8/2008 Kan et al.  
2011/0116265 A1 5/2011 Salm  
2012/0176786 A1 7/2012 Presley et al.

OTHER PUBLICATIONS

Lee, H-W. et al. "Improvement of Illumination Uniformity for LED Flat Panel Light by Using Micro-Secondary Lens Array." Optics

Express. vol. 20, No. Suppl. 6, Nov. 5, 2012, pp. A788-A798 (11 pages).

"The World is Our Stage." Manhasset Specialty Company: Product Brochure [online], [retrieved on Nov. 13, 2013] Oct. 5, 2011. Retrieved from the Internet: <URL: <http://www.manhasset-specialty.com/pdfs/ManhassetCatalog-HighRes.pdf>> (8 pages).

"Triplet Light Quick Reference Guide." Triplet Music Inc. [online], [retrieved on Nov. 13, 2013] Feb. 21, 2013. Retrieved from the Internet: <URL: [https://www.tripletlight.com/sites/default/files/uploads/user-manual/tripletlight\\_instructions\\_july23.2013.pdf](https://www.tripletlight.com/sites/default/files/uploads/user-manual/tripletlight_instructions_july23.2013.pdf)> (4 pages).

\* cited by examiner

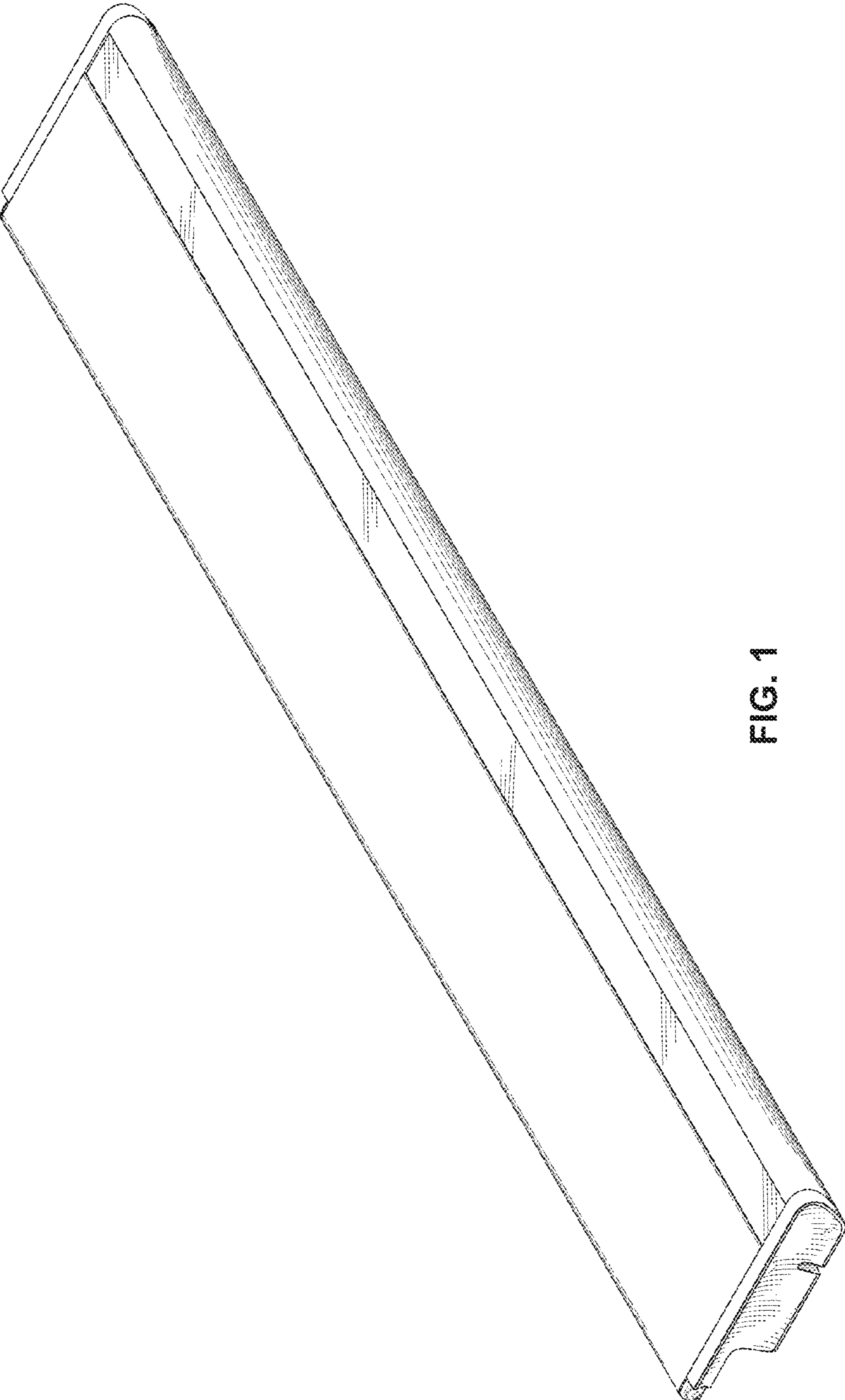


FIG. 1

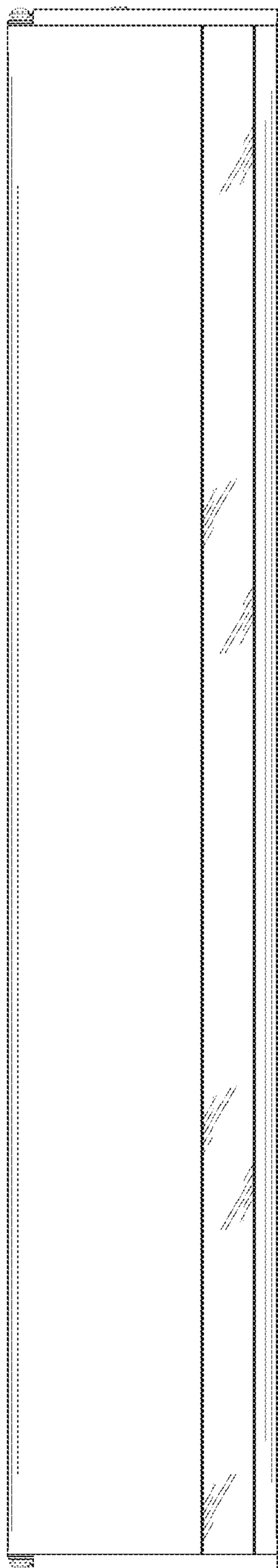


FIG. 2

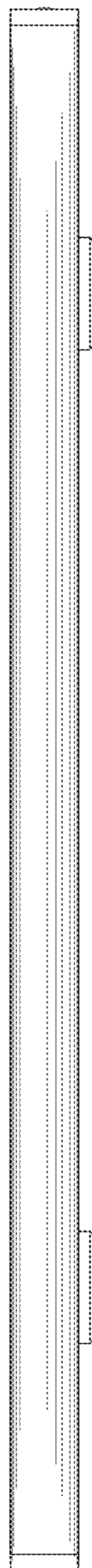


FIG. 3

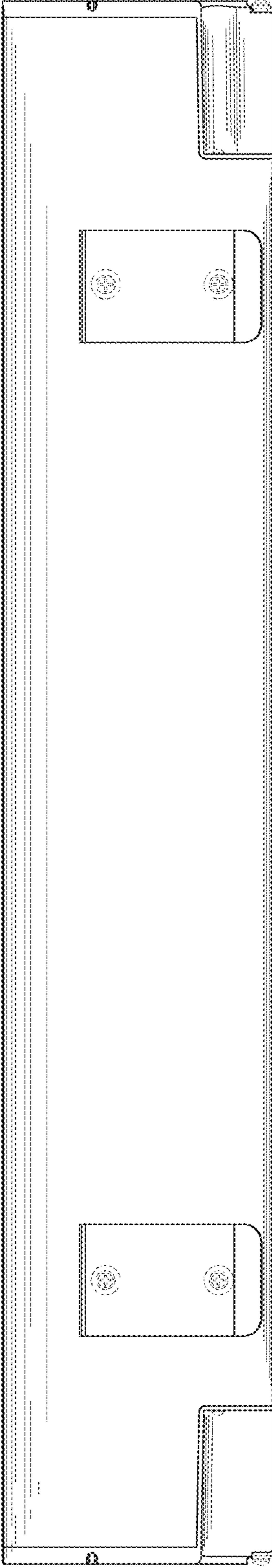


FIG. 4

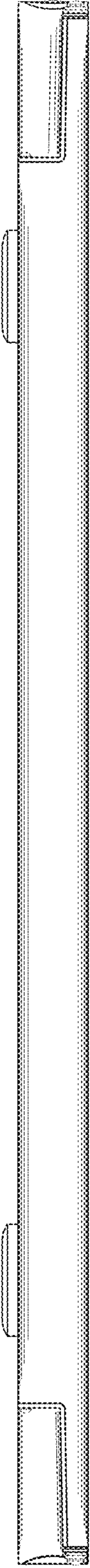


FIG. 5

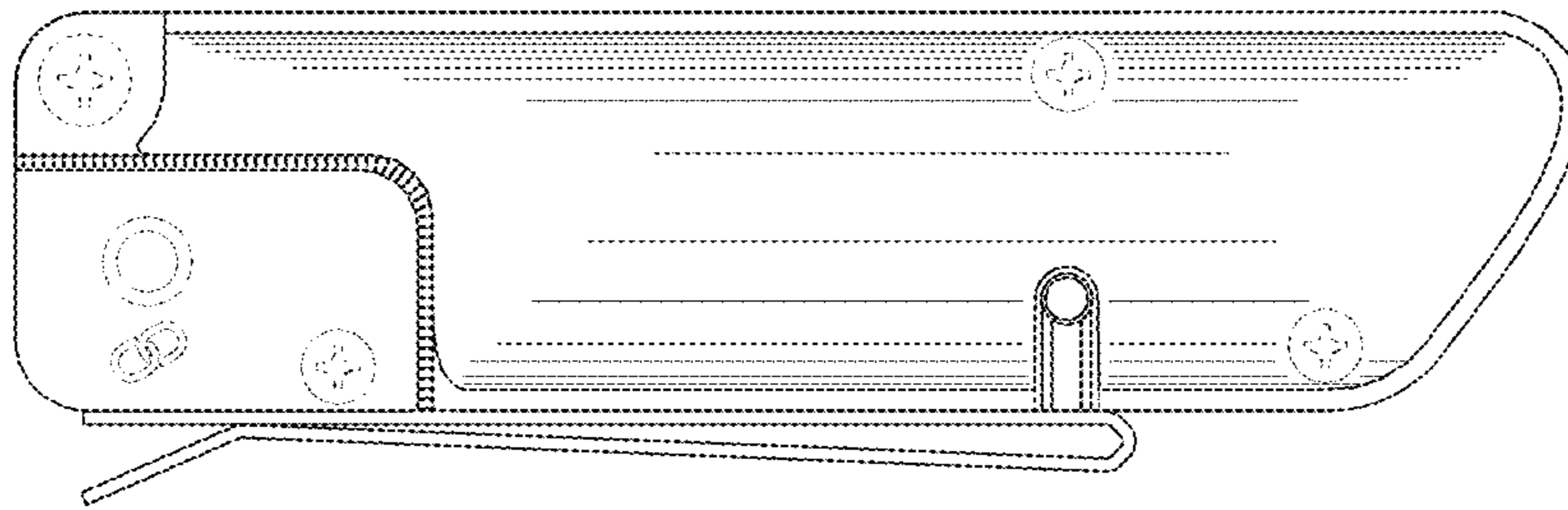


FIG. 6

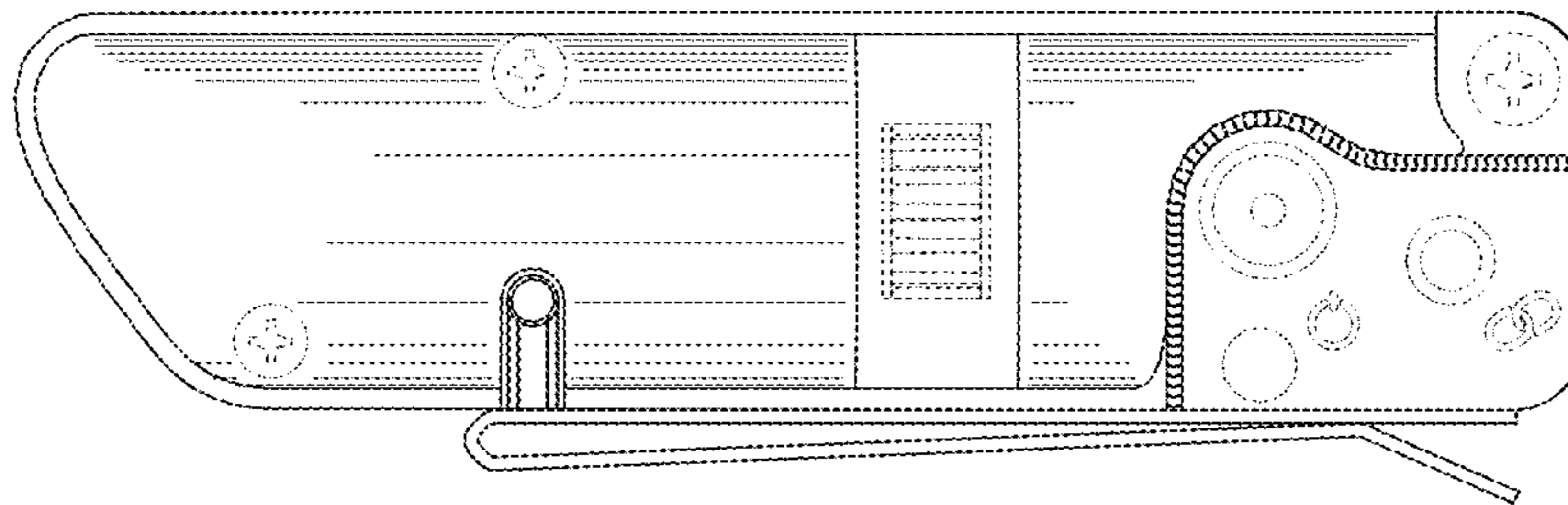


FIG. 7