



US00D723202S

(12) **United States Design Patent**  
**Windom et al.**

(10) **Patent No.:** **US D723,202 S**

(45) **Date of Patent:** **\*\* Feb. 24, 2015**

(54) **ROUND BEZEL HEADLAMP**

(71) Applicant: **Coast Cutlery Co.**, Portland, OR (US)

(72) Inventors: **Gregory David Windom**, Portland, OR (US); **Kam Fu Choo**, Vancouver, WA (US); **Lu Zhuang**, Ningbo (CN)

(73) Assignee: **Coast Cutlery Co.**, Portland, OR (US)

(\*\*) Term: **14 Years**

(21) Appl. No.: **29/470,772**

(22) Filed: **Oct. 24, 2013**

(51) **LOC (10) Cl.** ..... **26-02**

(52) **U.S. Cl.**  
USPC ..... **D26/39**

(58) **Field of Classification Search**  
USPC ..... D26/37, 39, 46, 49; 362/103, 105, 106,  
362/108, 157, 158, 183, 184, 194-197,  
362/202-208

See application file for complete search history.

(56) **References Cited**

**U.S. PATENT DOCUMENTS**

D491,300 S *	6/2004	Cormier et al.	.....	D26/37
D510,402 S *	10/2005	Owens	.....	D22/108
D541,960 S *	5/2007	Rothman	.....	D26/37
D570,021 S *	5/2008	Xu	.....	D26/39
D578,691 S *	10/2008	Lau	.....	D26/39
D582,592 S *	12/2008	Opolka	.....	D26/49
D590,528 S *	4/2009	Supiot	.....	D26/37
D592,781 S *	5/2009	Petzl	.....	D26/39
D667,577 S *	9/2012	Wu	.....	D26/49
D674,944 S *	1/2013	Bertken	.....	D26/39
D682,450 S *	5/2013	Chang	.....	D26/39

\* cited by examiner

*Primary Examiner* — Ian Simmons

*Assistant Examiner* — Carissa C Fitts

(74) *Attorney, Agent, or Firm* — Schwabe Williamson & Wyatt

(57) **CLAIM**

The ornamental design for a round bezel headlamp, as shown and described.

**DESCRIPTION**

FIG. 1 is a front view of an embodiment of the oval bezel headlamp that incorporates two switches;

FIG. 2 is a perspective view of the oval bezel headlamp illustrated in FIG. 1;

FIG. 3 is a rear view of the oval bezel headlamp illustrated in FIG. 1;

FIG. 4 is a left side view of the oval bezel headlamp illustrated in FIG. 1;

FIG. 5 is a right side view of the oval bezel headlamp illustrated in FIG. 1;

FIG. 6 is a top view of the oval bezel headlamp illustrated in FIG. 1;

FIG. 7 is a bottom view of the oval bezel headlamp illustrated in FIG. 1.

FIG. 8 is a front view of a second embodiment of the oval bezel headlamp that incorporates a single switch;

FIG. 9 is a perspective view of the oval bezel headlamp illustrated in FIG. 8;

FIG. 10 is a rear view of the oval bezel headlamp illustrated in FIG. 8;

FIG. 11 is a left side view of the round bezel headlamp illustrated in FIG. 8;

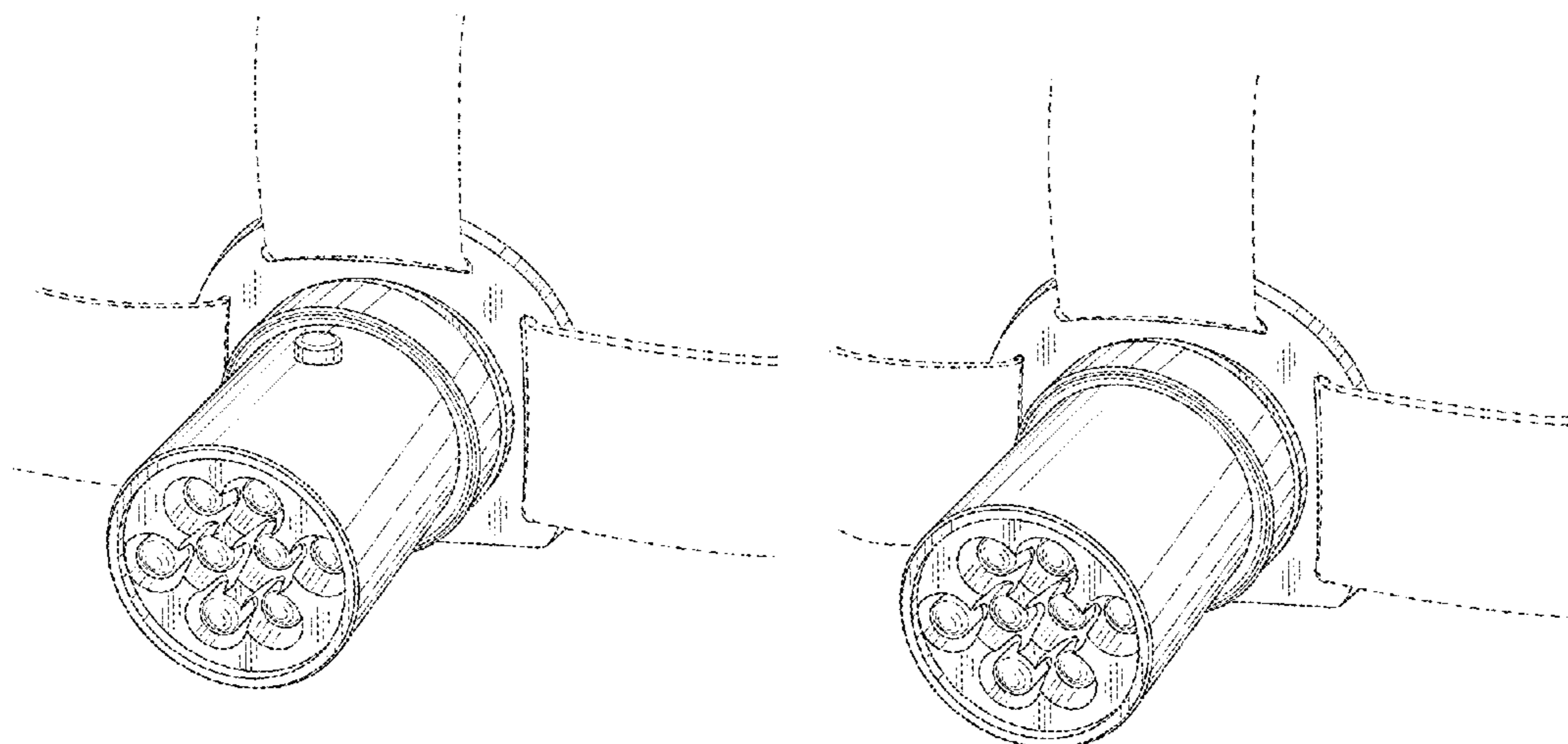
FIG. 12 is a right side view of the round bezel headlamp illustrated in FIG. 8;

FIG. 13 is a top view of the oval bezel headlamp illustrated in FIG. 8; and,

FIG. 14 is a bottom view of the oval bezel headlamp illustrated in FIG. 8.

The dot-dash broken lines immediately adjacent the shaded areas represent the bounds of the claimed design while all other broken lines are directed to environment and are for illustrative purposes only; the broken lines form no part of the claimed design.

**1 Claim, 12 Drawing Sheets**



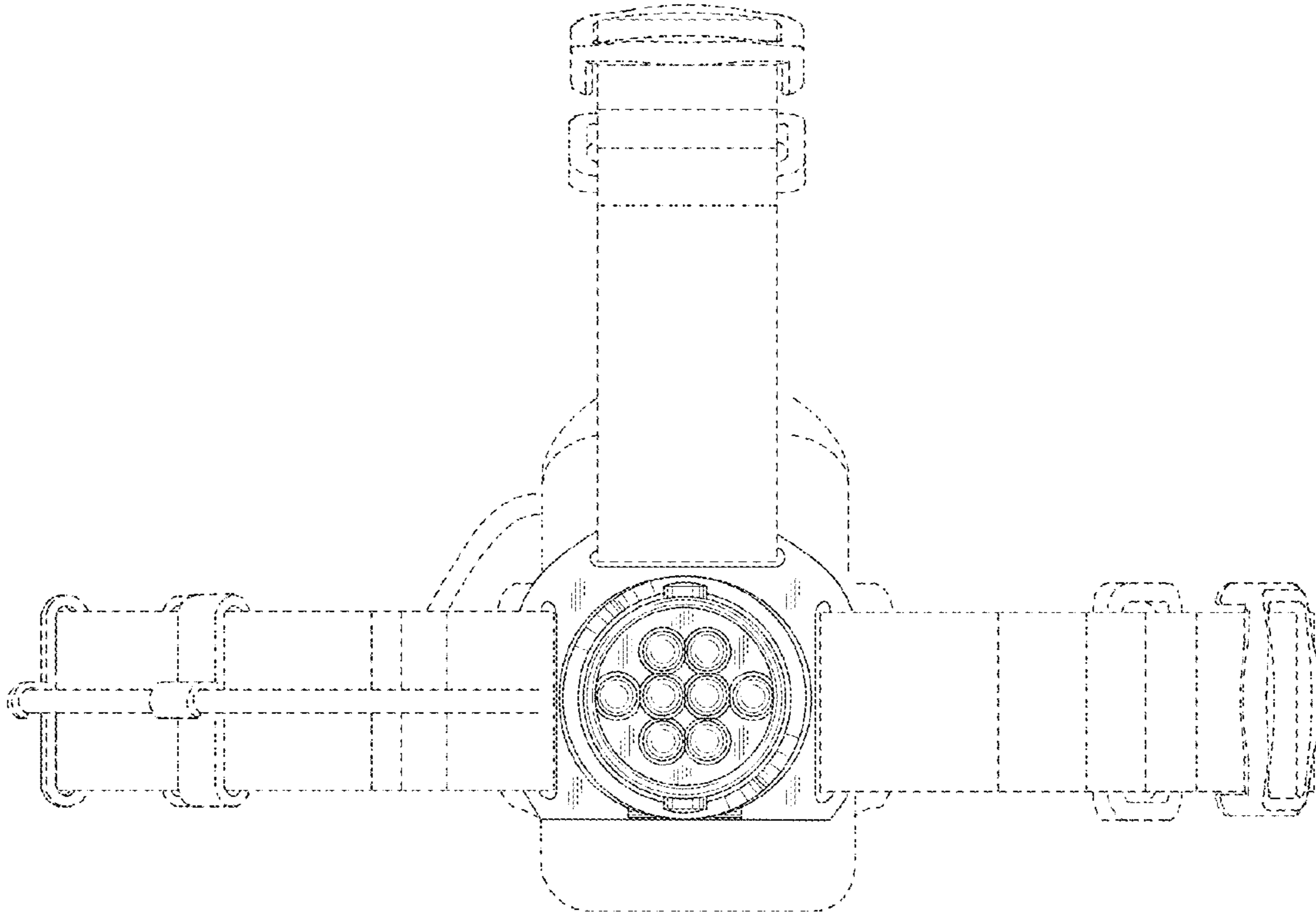


FIG. 1

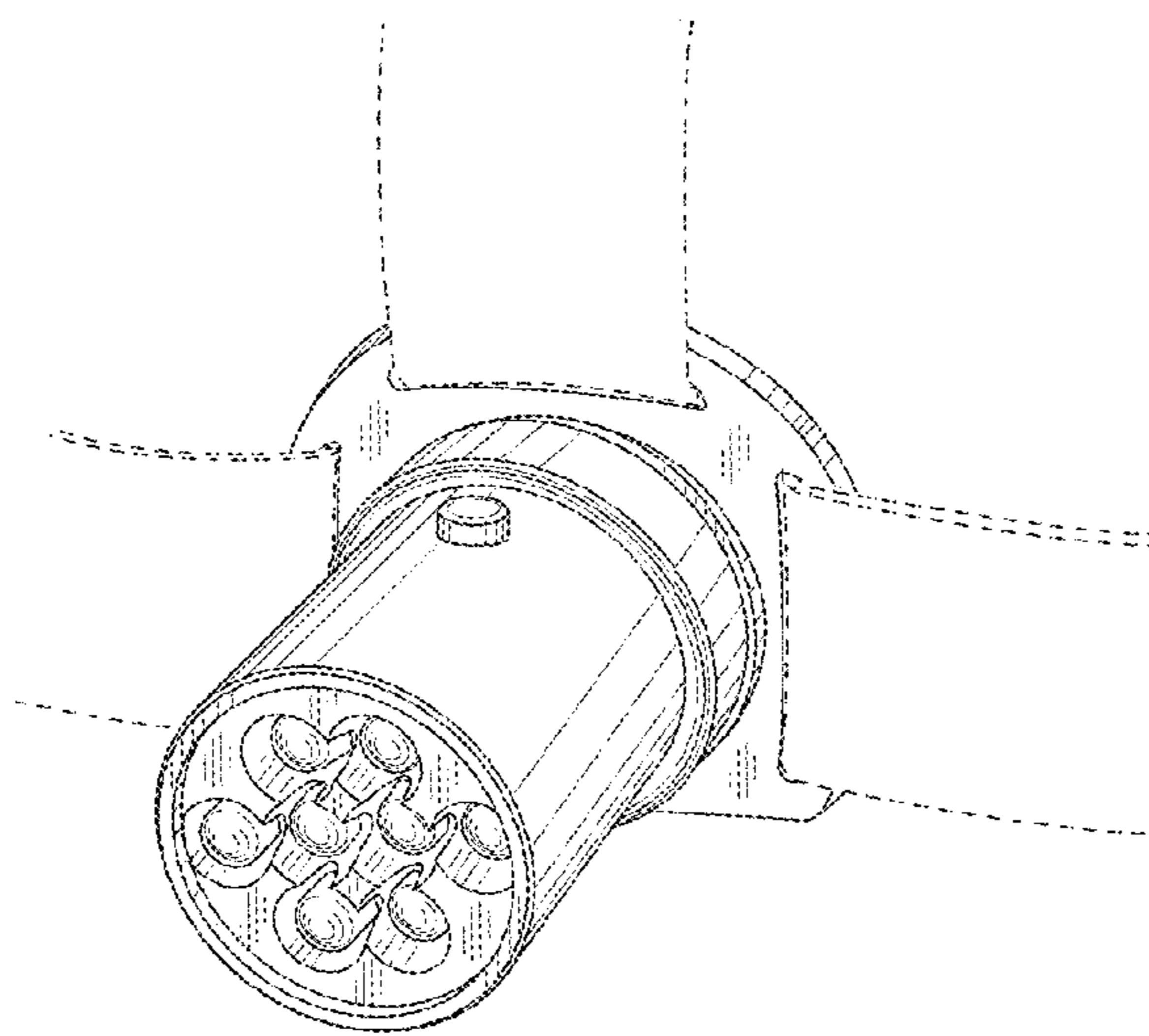


FIG. 2

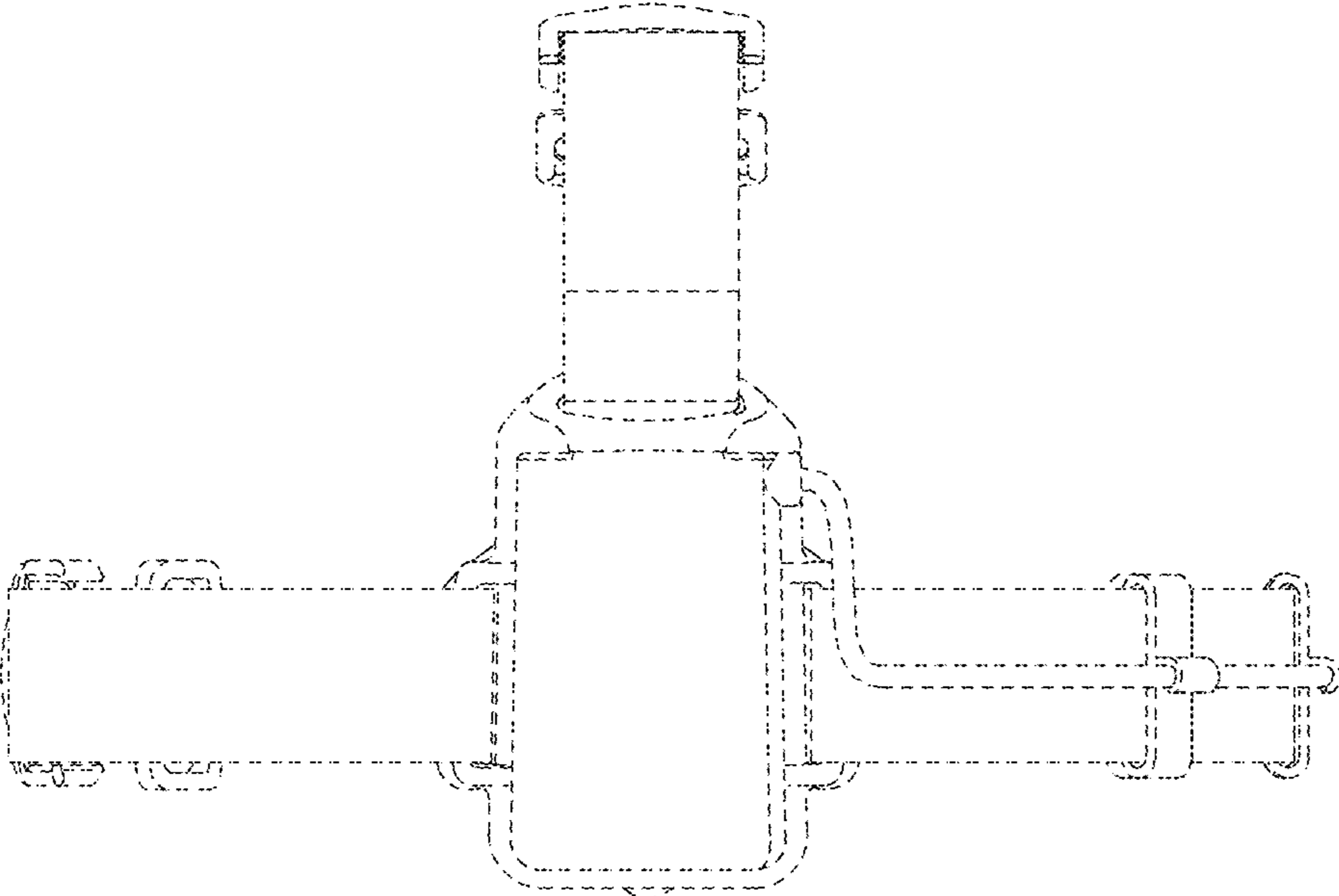


FIG. 3

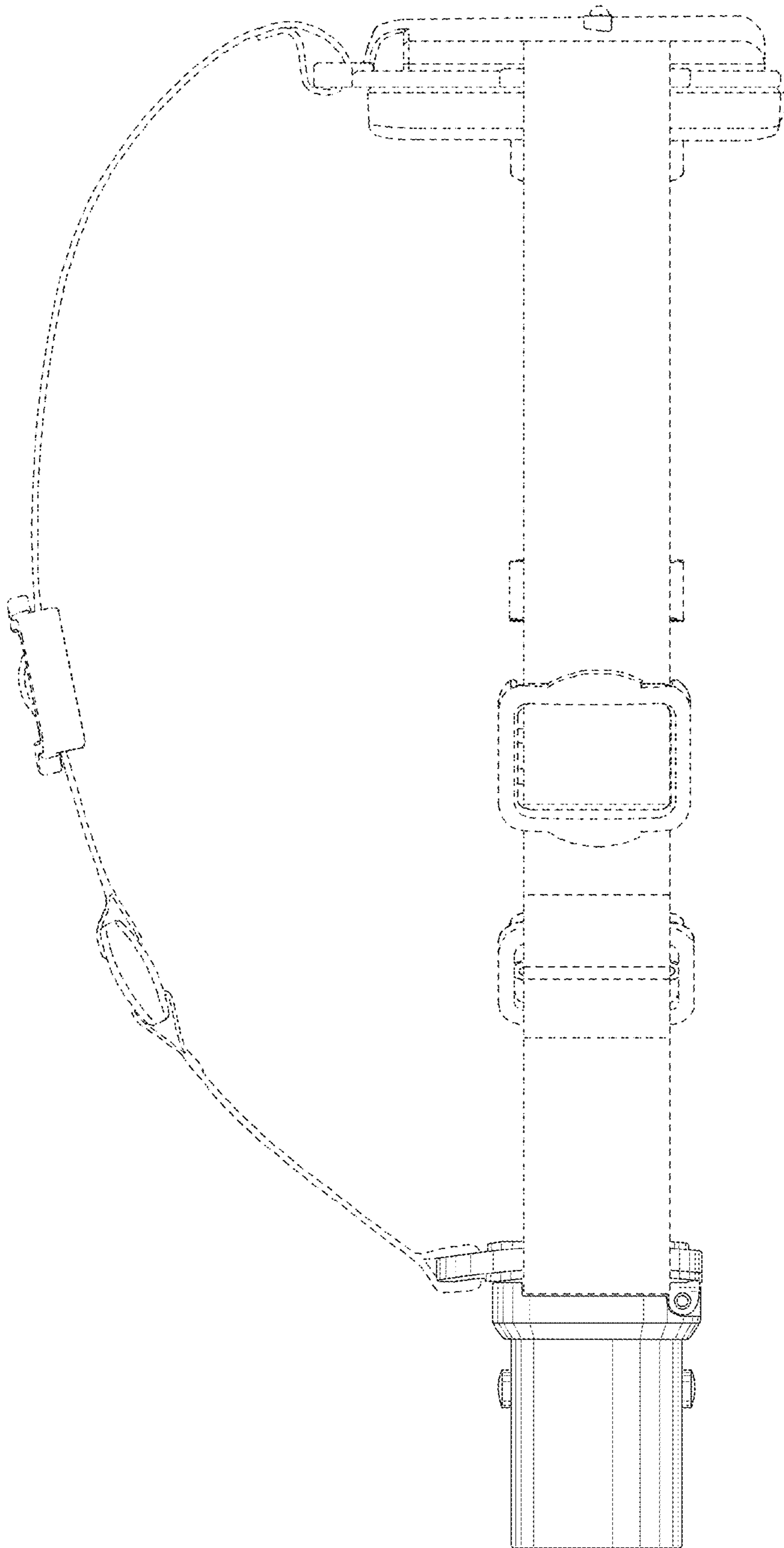


FIG. 4

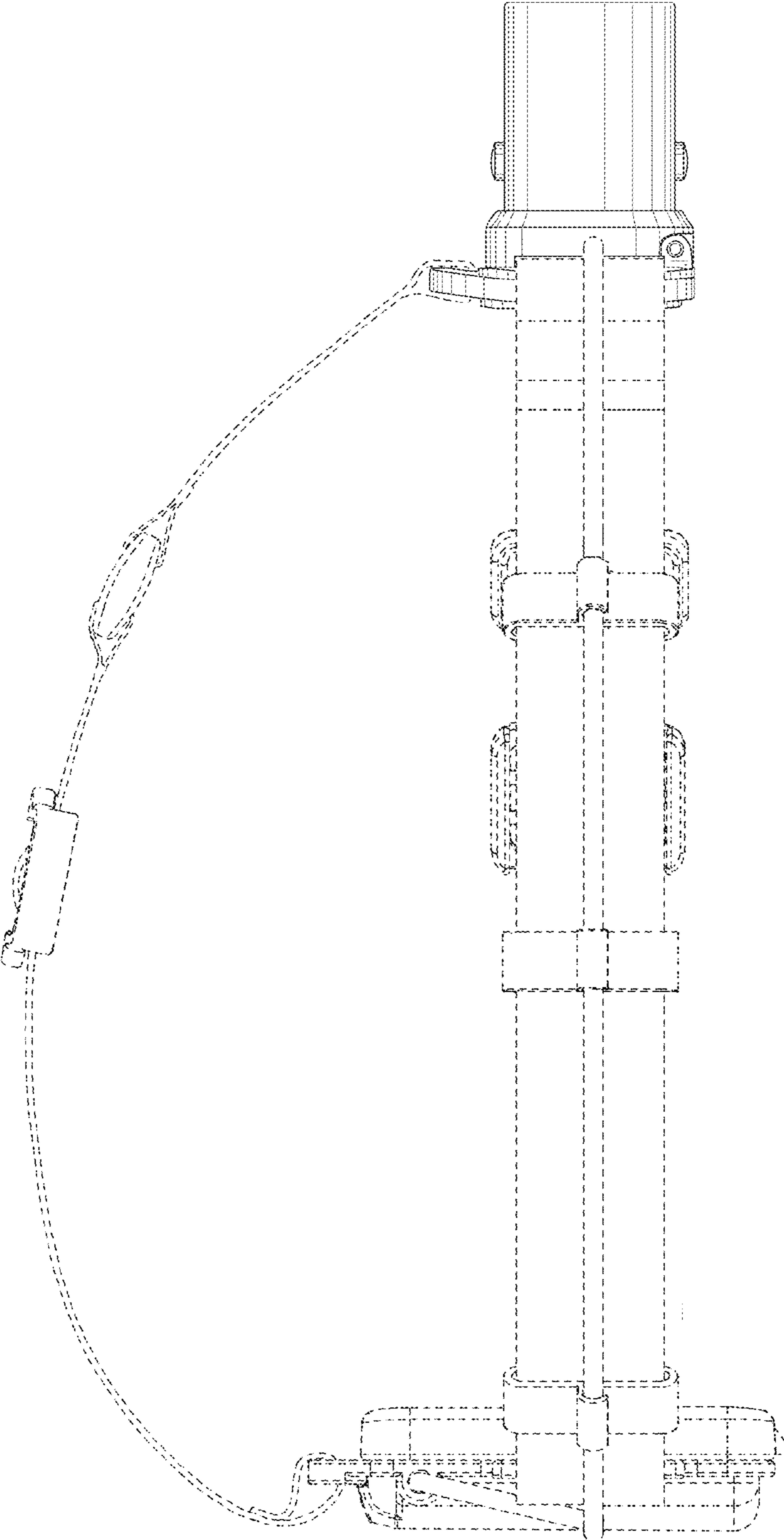


FIG. 5



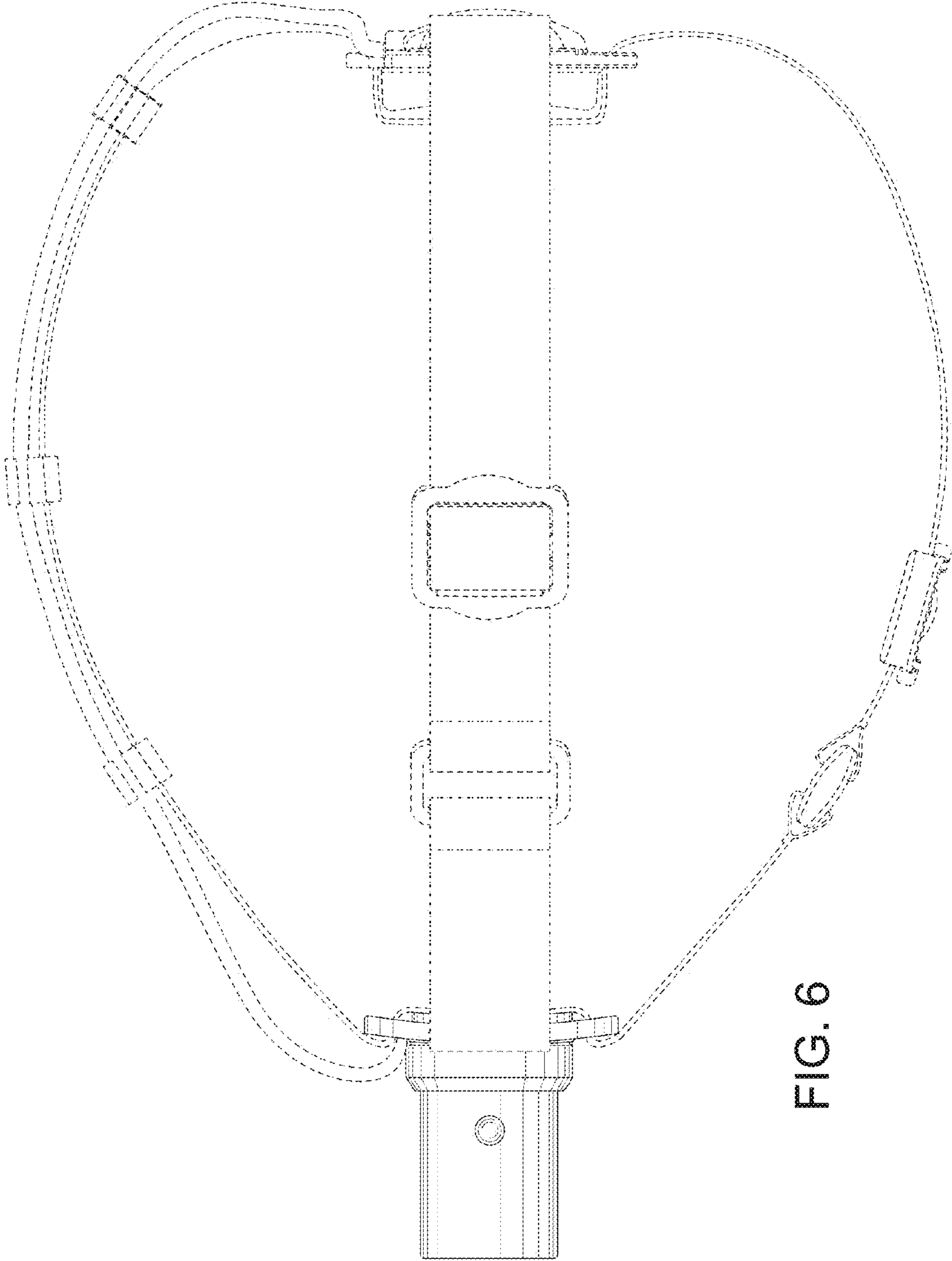


FIG. 6

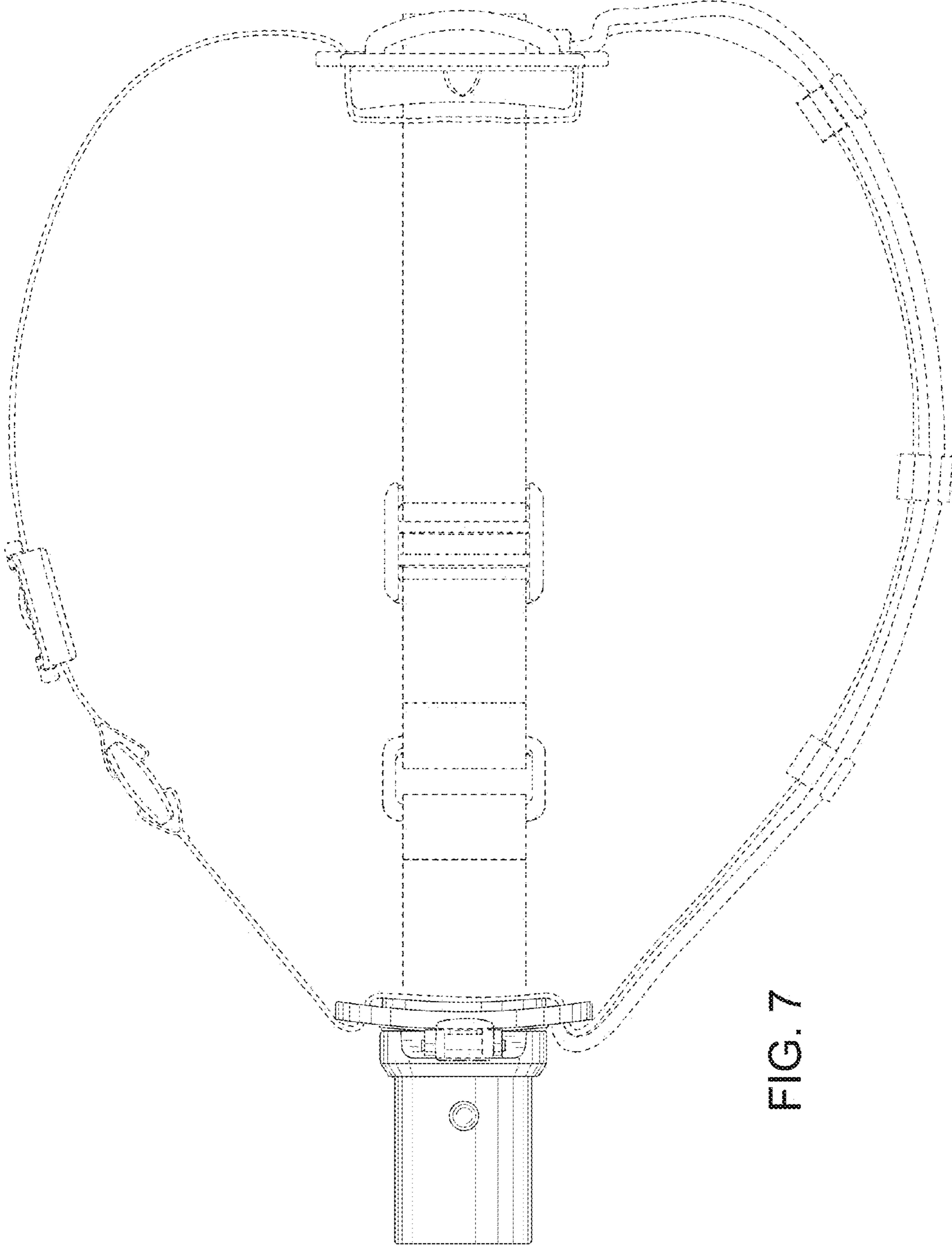


FIG. 7

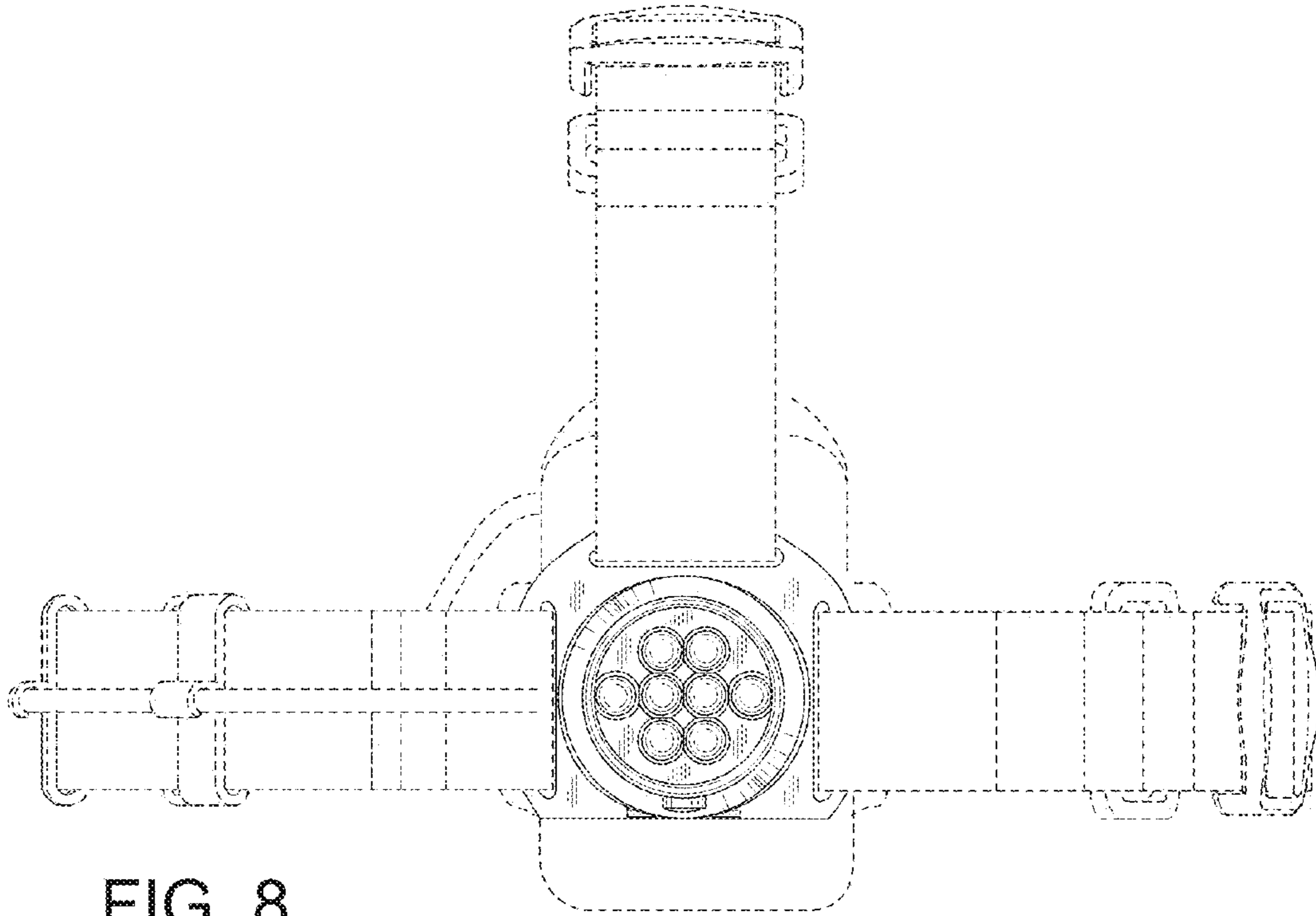


FIG. 8

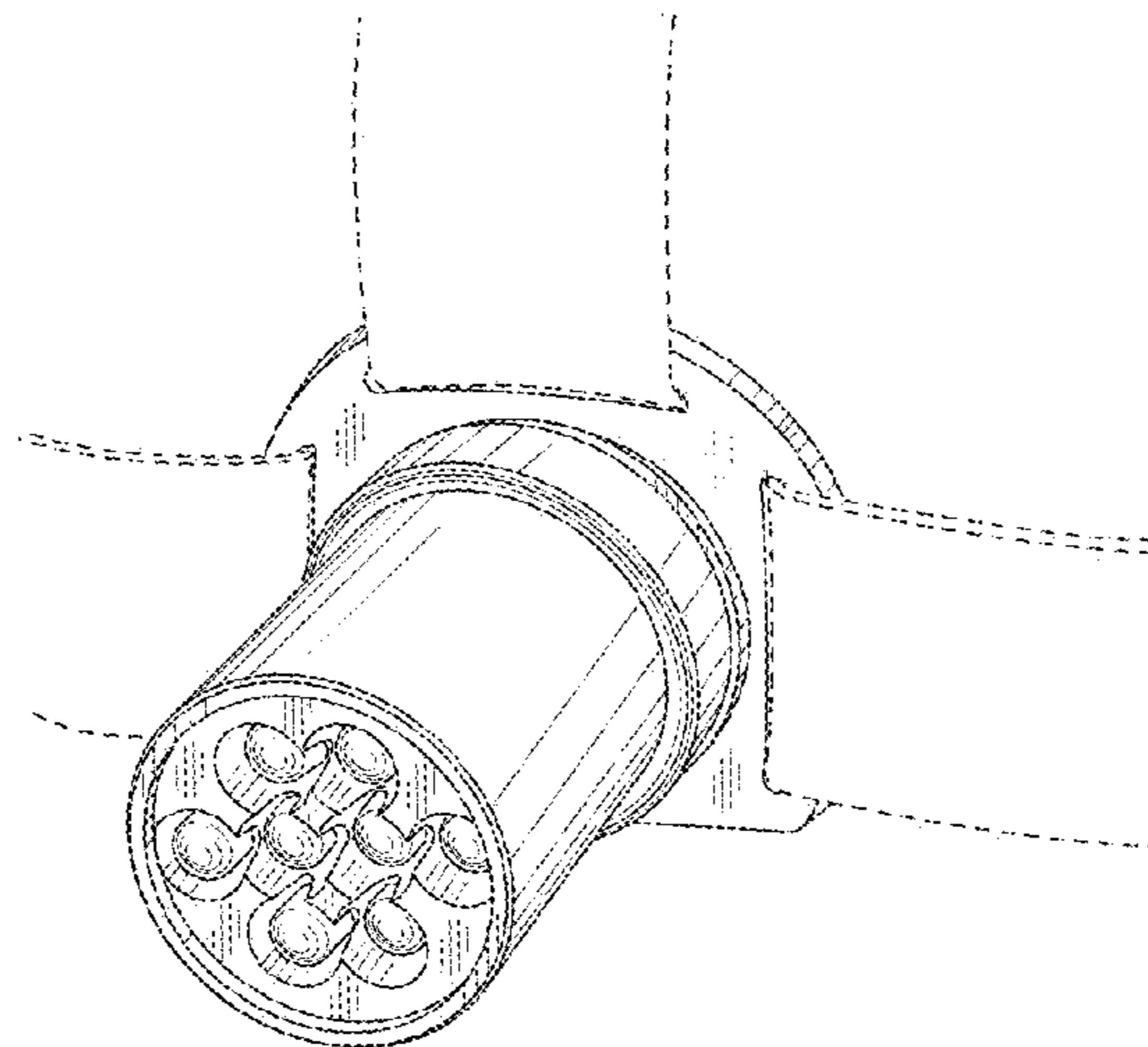


FIG. 9



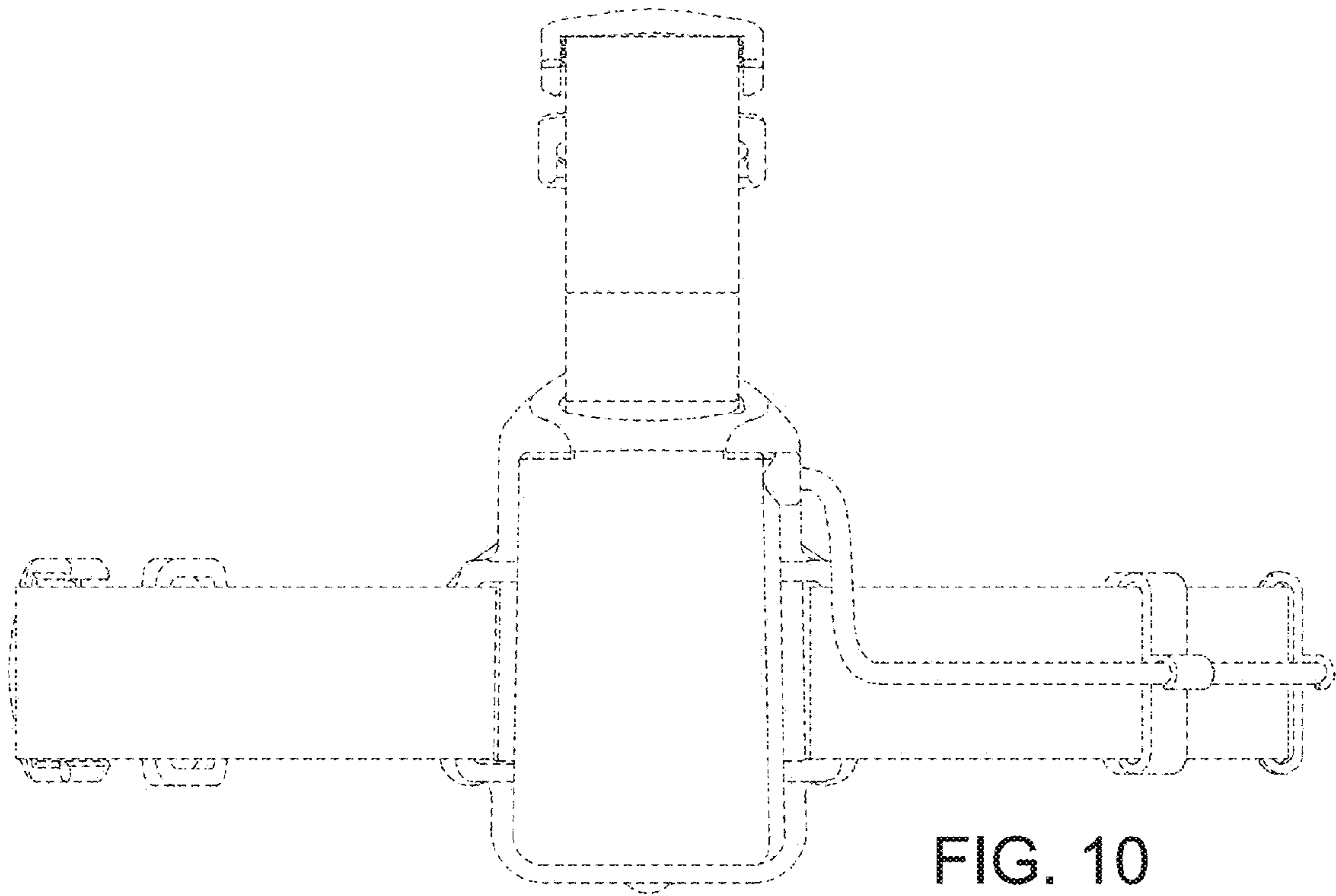


FIG. 10

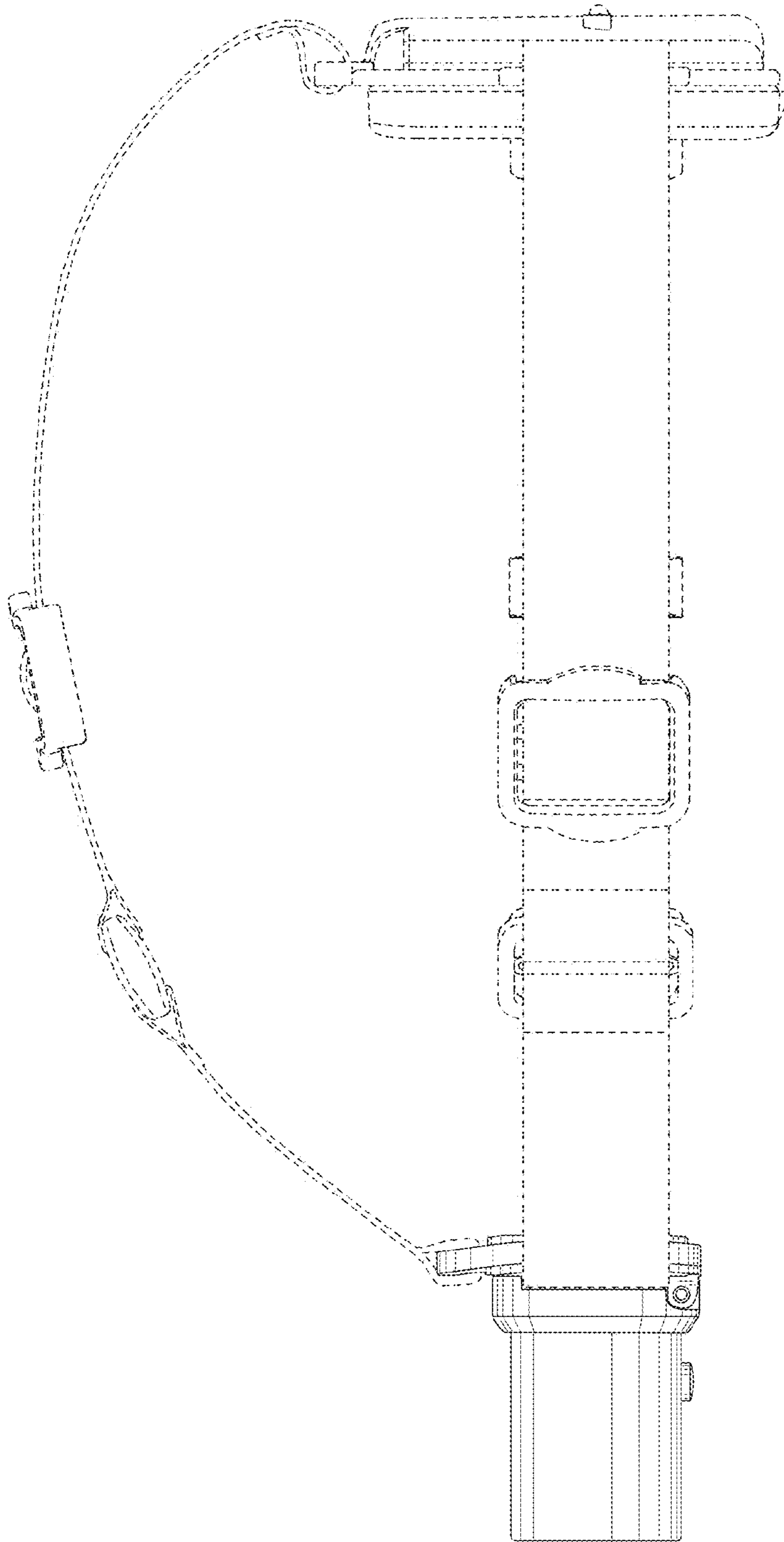


FIG. 11

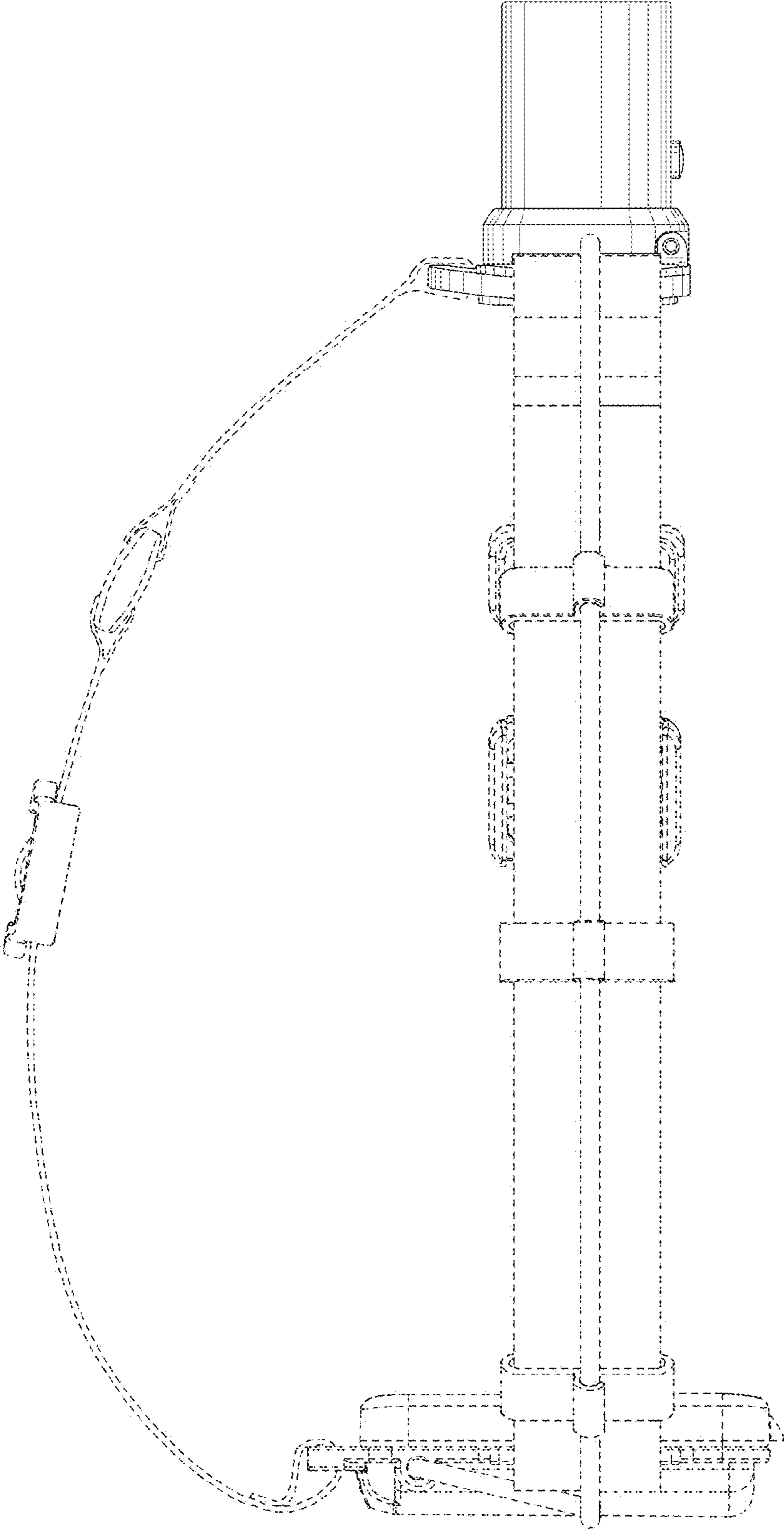


FIG. 12

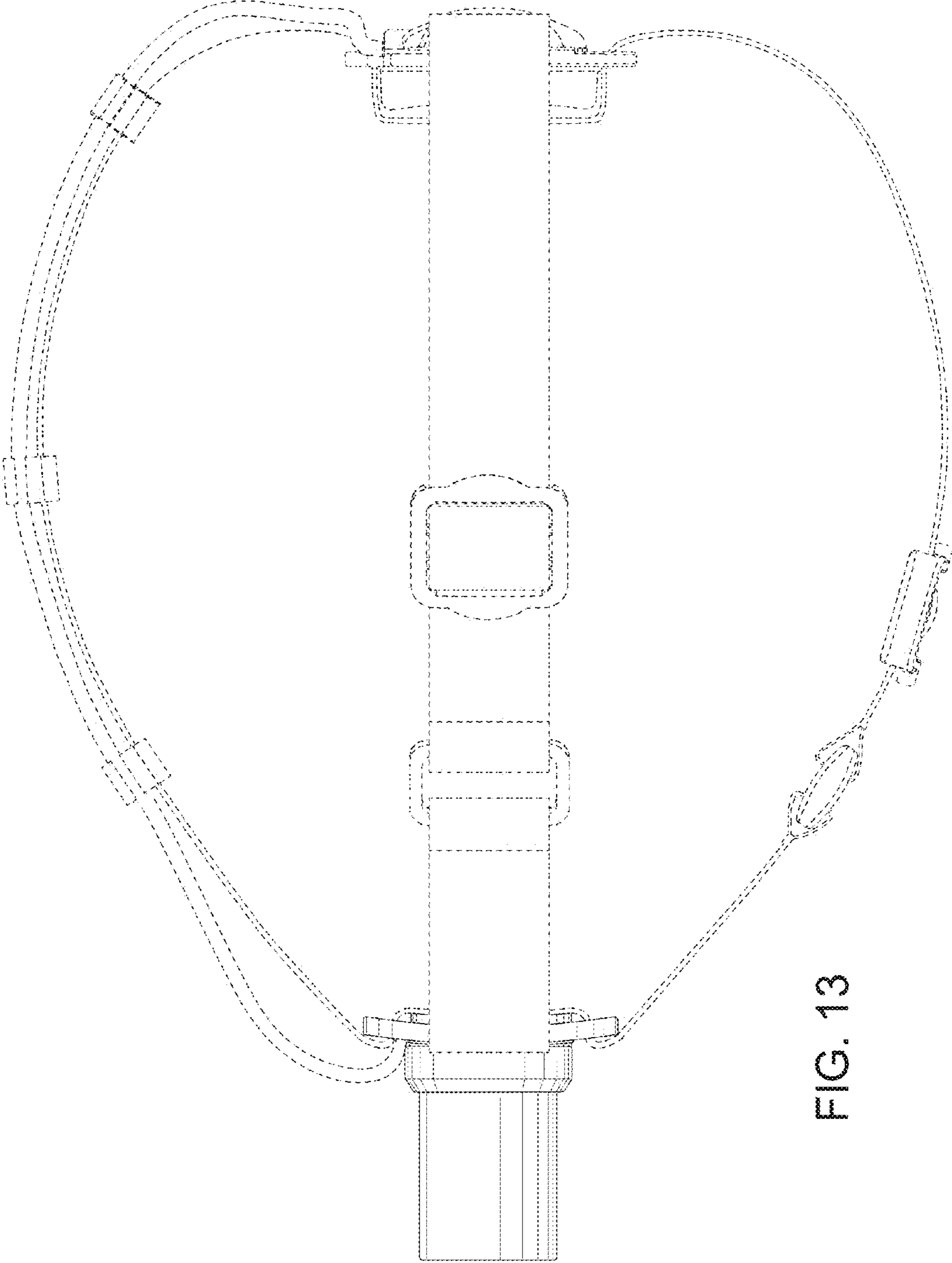


FIG. 13

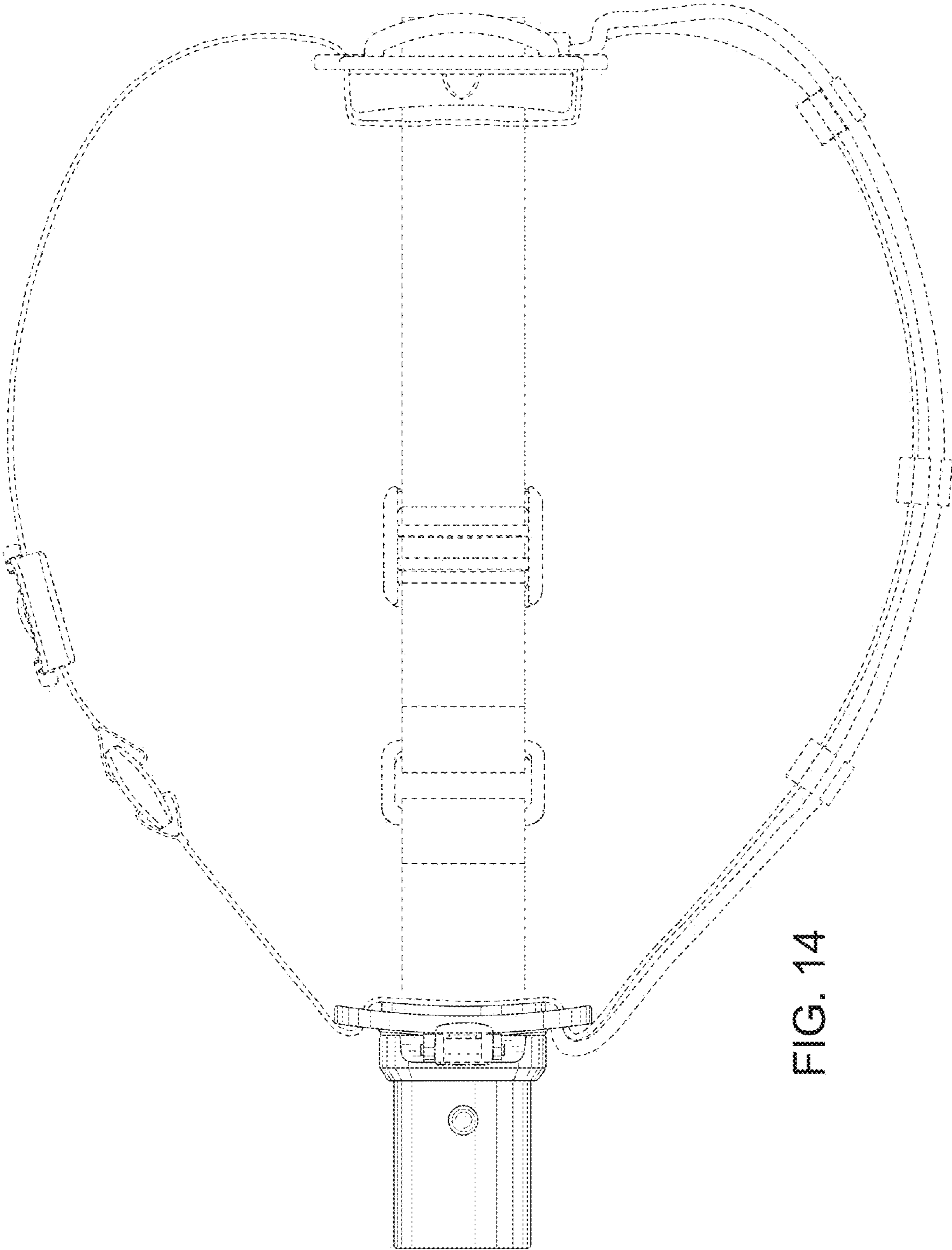


FIG. 14