



US00D723201S

(12) **United States Design Patent**
Windom et al.

(10) **Patent No.:** **US D723,201 S**

(45) **Date of Patent:** **** Feb. 24, 2015**

(54) **OVAL BEZEL HEADLAMP**

(71) Applicant: **Coast Cutlery Co.**, Portland, OR (US)

(72) Inventors: **Gregory David Windom**, Portland, OR (US); **Kam Fu Choo**, Vancouver, WA (US); **Lu Zhuang**, Ningbo (CN)

(73) Assignee: **Coast Cutlery Co.**, Portland, OR (US)

(**) Term: **14 Years**

(21) Appl. No.: **29/470,771**

(22) Filed: **Oct. 24, 2013**

(51) **LOC (10) Cl.** **26-02**

(52) **U.S. Cl.**
USPC **D26/39**

(58) **Field of Classification Search**
USPC D26/37, 39, 46, 49; 362/103, 105, 106,
362/108, 157, 158, 183, 184, 194–197,
362/202–208

See application file for complete search history.

(56) **References Cited**

U.S. PATENT DOCUMENTS

D491,300 S *	6/2004	Cormier et al.	D26/37
D510,402 S *	10/2005	Owens	D22/108
D541,960 S *	5/2007	Rothman	D26/37
D570,021 S *	5/2008	Xu	D26/39
D578,691 S *	10/2008	Lau	D26/39
D582,592 S *	12/2008	Opolka	D26/49
D590,528 S *	4/2009	Supiot	D26/37
D592,781 S *	5/2009	Petzl	D26/39
D667,577 S *	9/2012	Wu	D26/49
D674,944 S *	1/2013	Bertken	D26/39
D682,450 S *	5/2013	Chang	D26/39

* cited by examiner

Primary Examiner — Ian Simmons
Assistant Examiner — Carissa C Fitts

(74) *Attorney, Agent, or Firm* — Schwabe Williamson & Wyatt

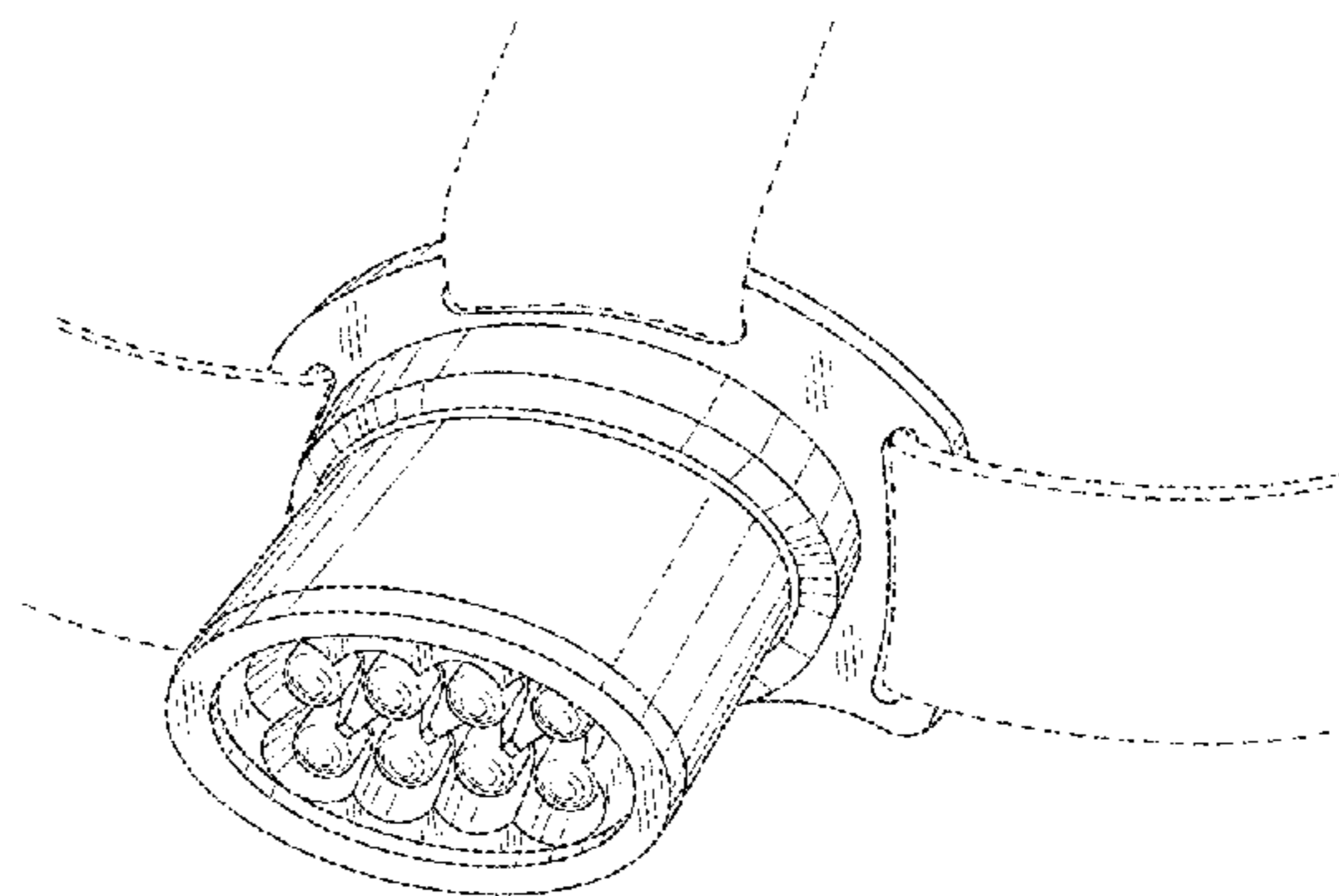
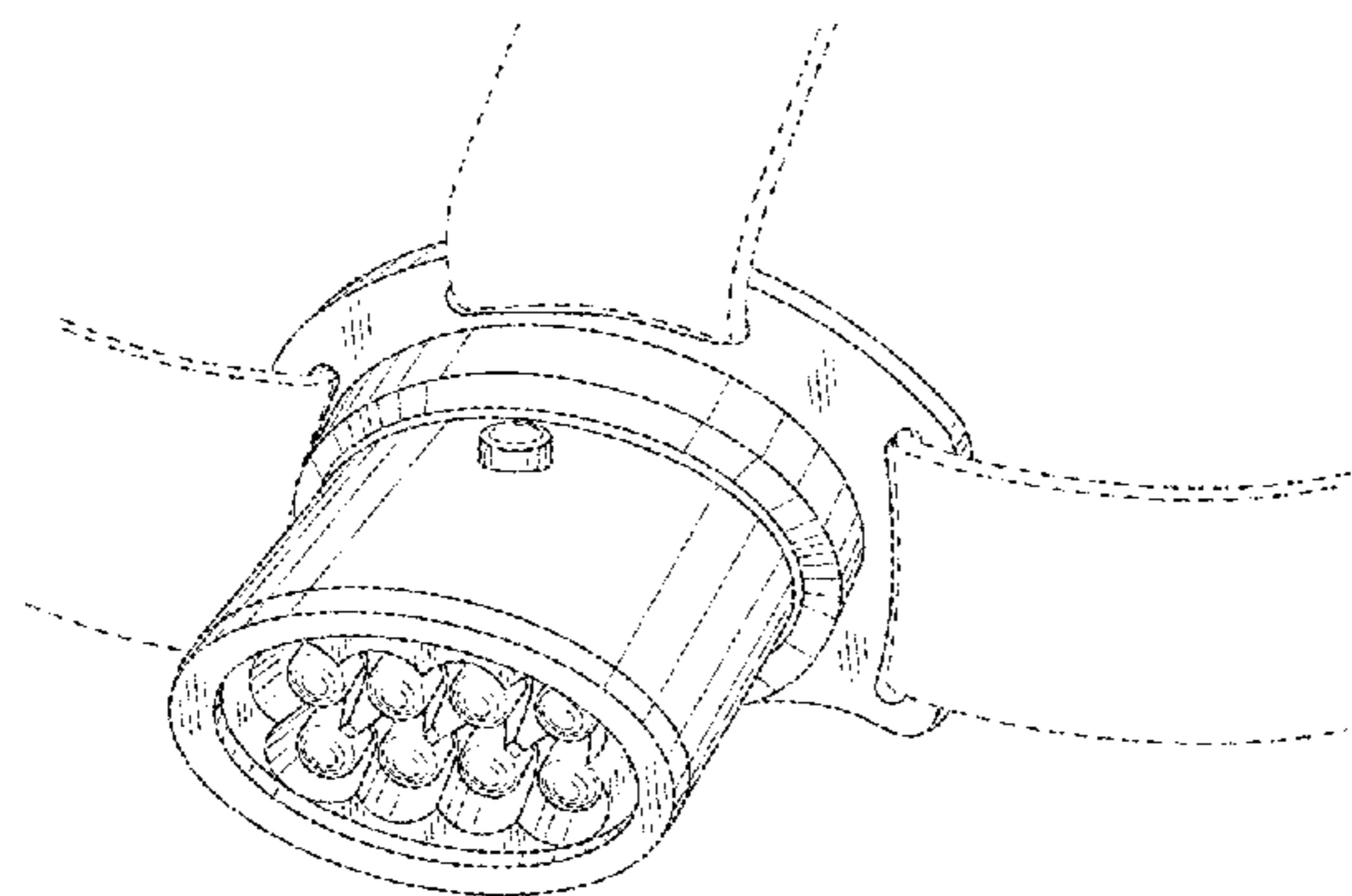
(57) **CLAIM**

The ornamental design for an oval bezel headlamp, as shown and described.

DESCRIPTION

FIG. 1 is a front view of an embodiment of the oval bezel headlamp that incorporates two switches;
 FIG. 2 is a perspective view of the oval bezel headlamp illustrated in FIG. 1;
 FIG. 3 is a rear view of the oval bezel headlamp illustrated in FIG. 1;
 FIG. 4 is a left side view of the oval bezel headlamp illustrated in FIG. 1;
 FIG. 5 is a right side view of the oval bezel headlamp illustrated in FIG. 1;
 FIG. 6 is a top view of the oval bezel headlamp illustrated in FIG. 1;
 FIG. 7 is a bottom view of the oval bezel headlamp illustrated in FIG. 1.
 FIG. 8 is a front view of a second embodiment of the oval bezel headlamp that incorporates a single switch;
 FIG. 9 is a perspective view of the oval bezel headlamp illustrated in FIG. 8;
 FIG. 10 is a rear view of the oval bezel headlamp illustrated in FIG. 8;
 FIG. 11 is a top view of the oval bezel headlamp illustrated in FIG. 8; and,
 FIG. 12 is a bottom view of the oval bezel headlamp illustrated in FIG. 8.
 The dot-dash broken lines immediately adjacent the shaded areas represent the bounds of the claimed design while all other broken lines are directed to environment and are for illustrative purposes only; the broken lines form no part of the claimed design.

1 Claim, 10 Drawing Sheets



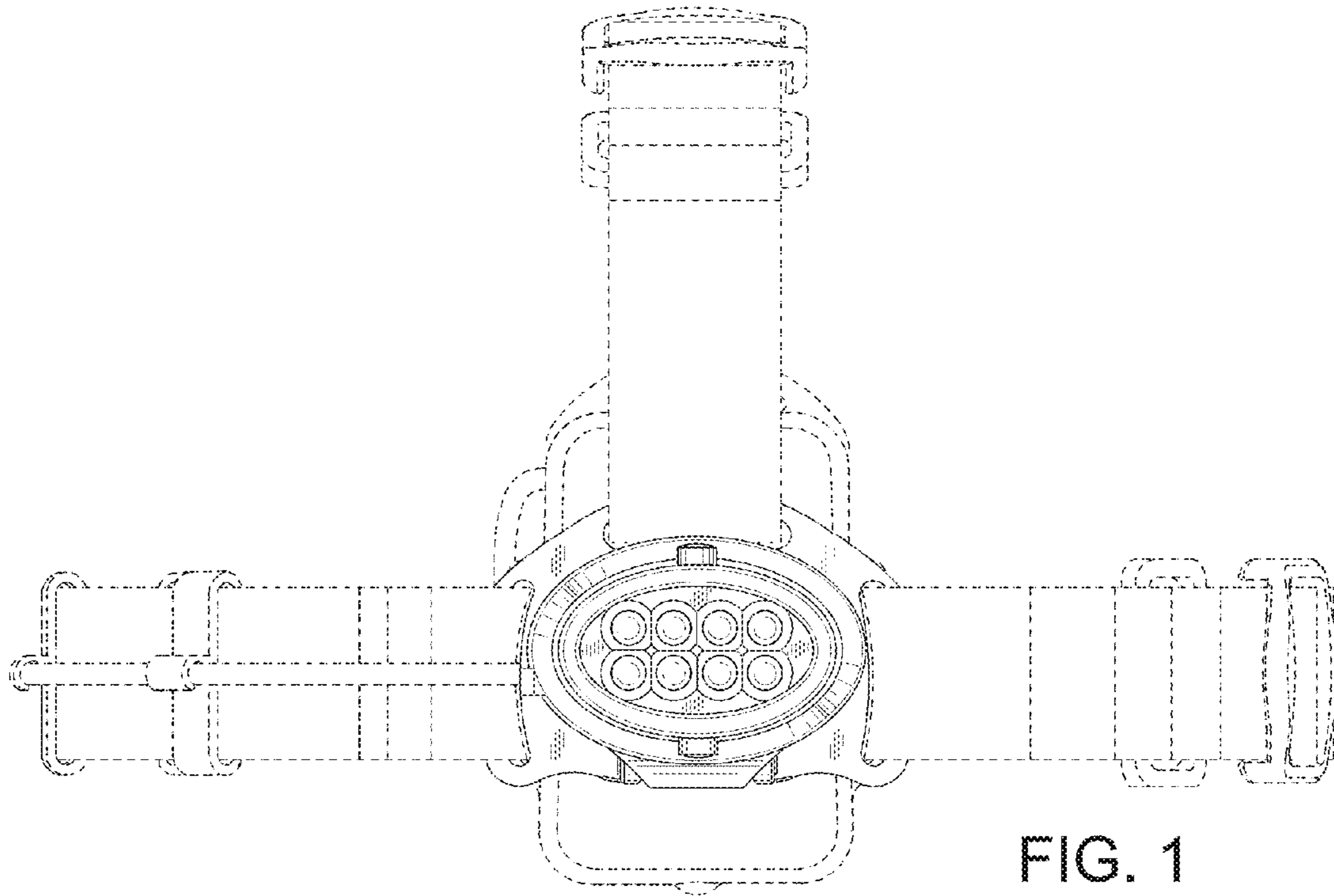


FIG. 1

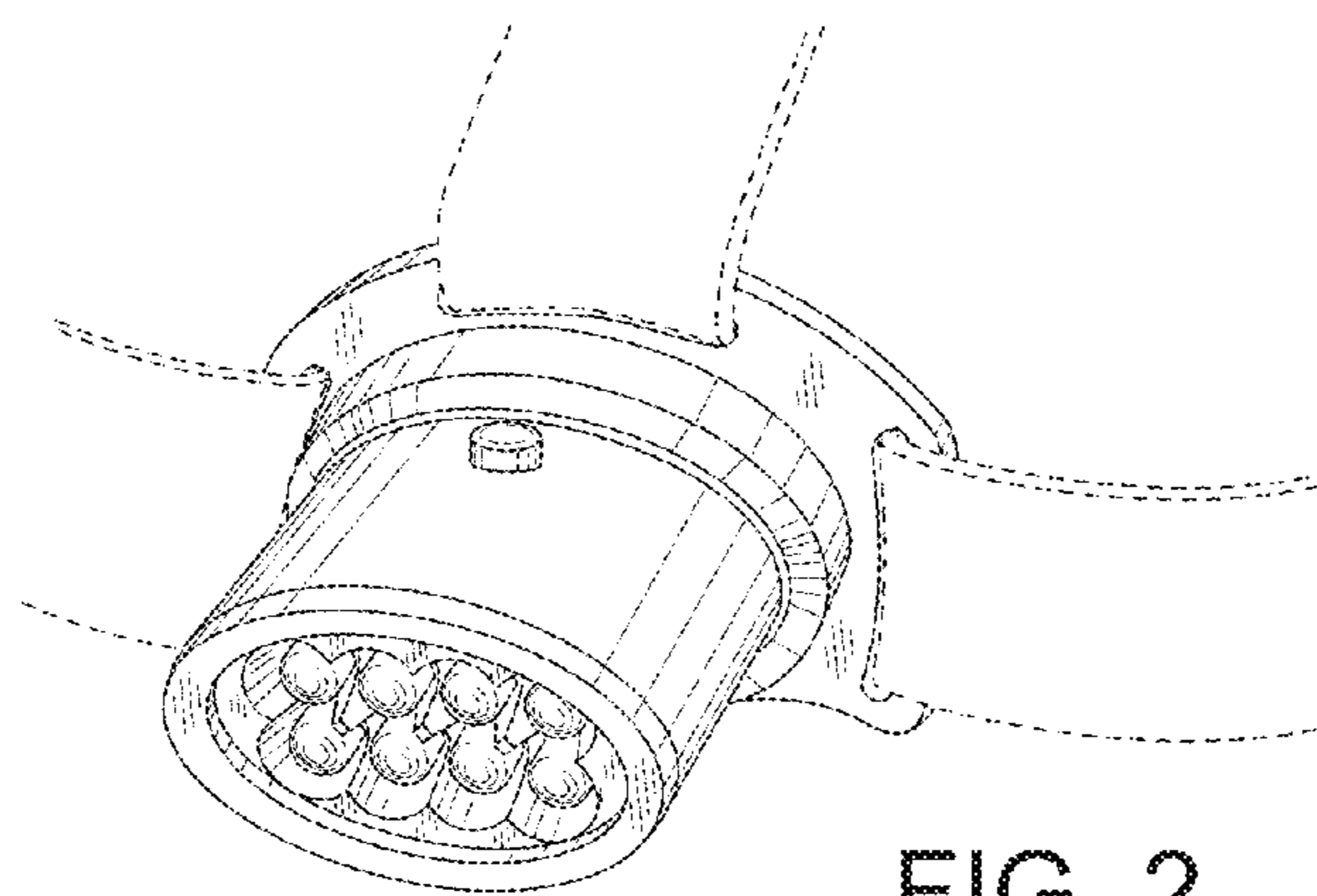


FIG. 2

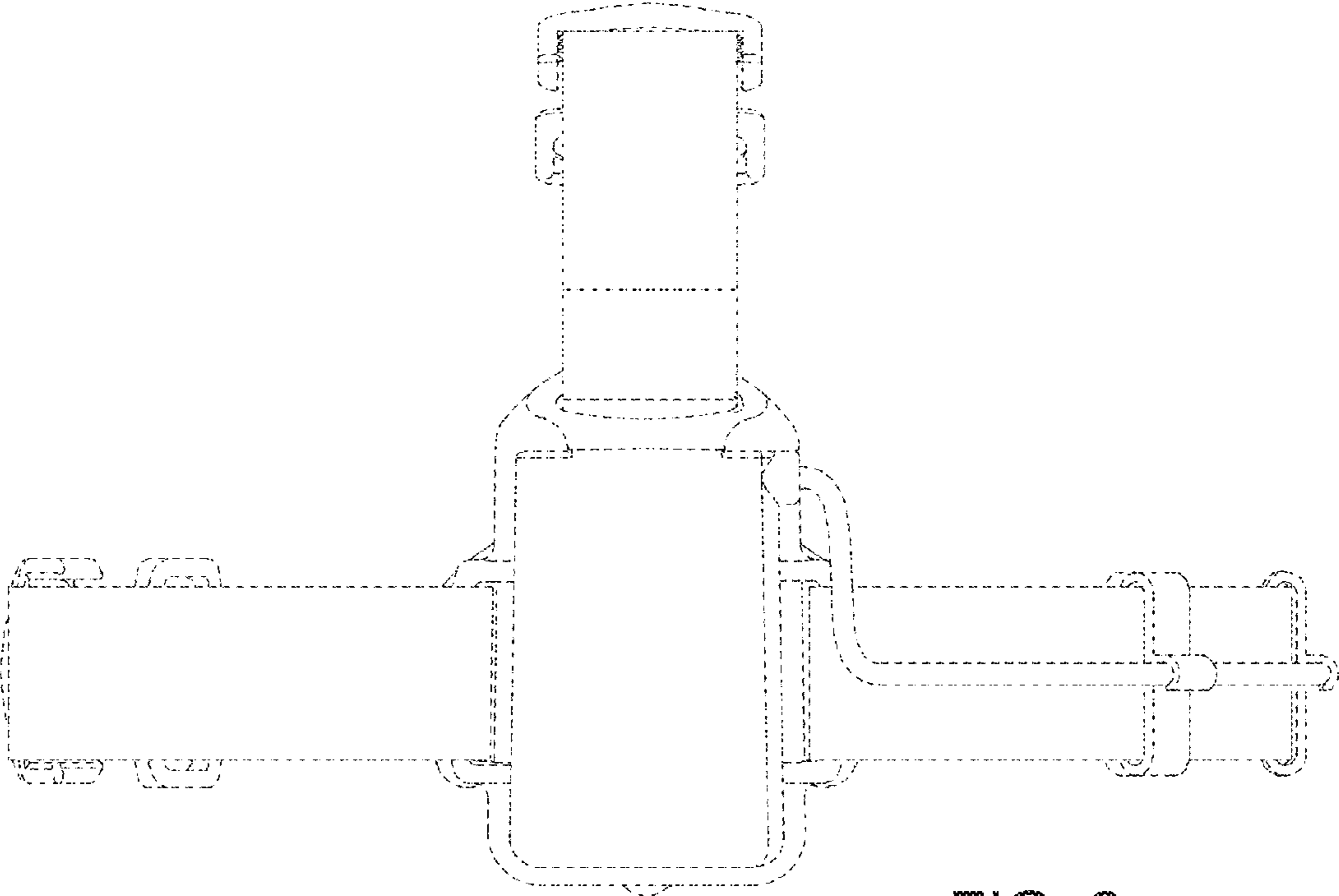


FIG. 3

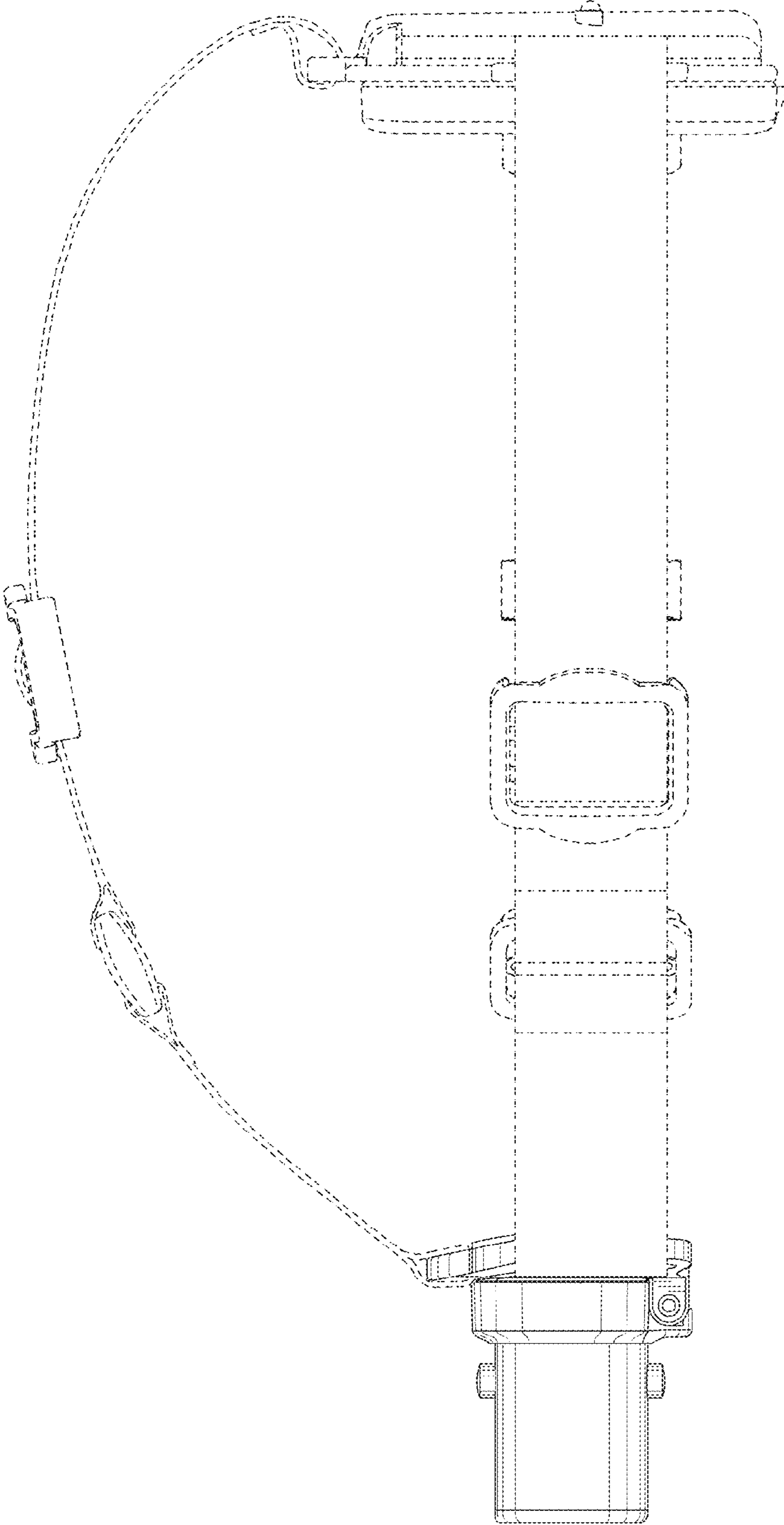


FIG. 4

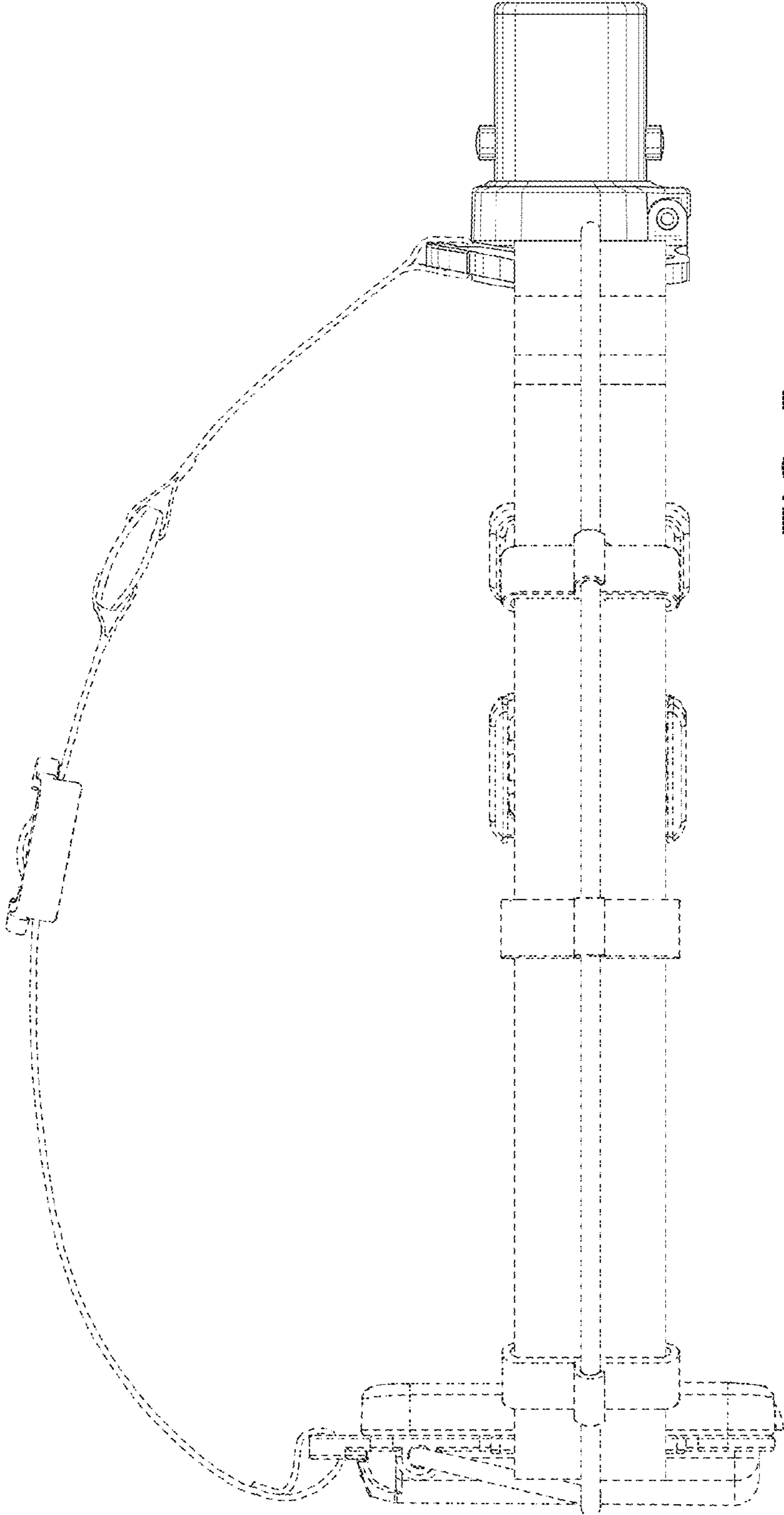


FIG. 5

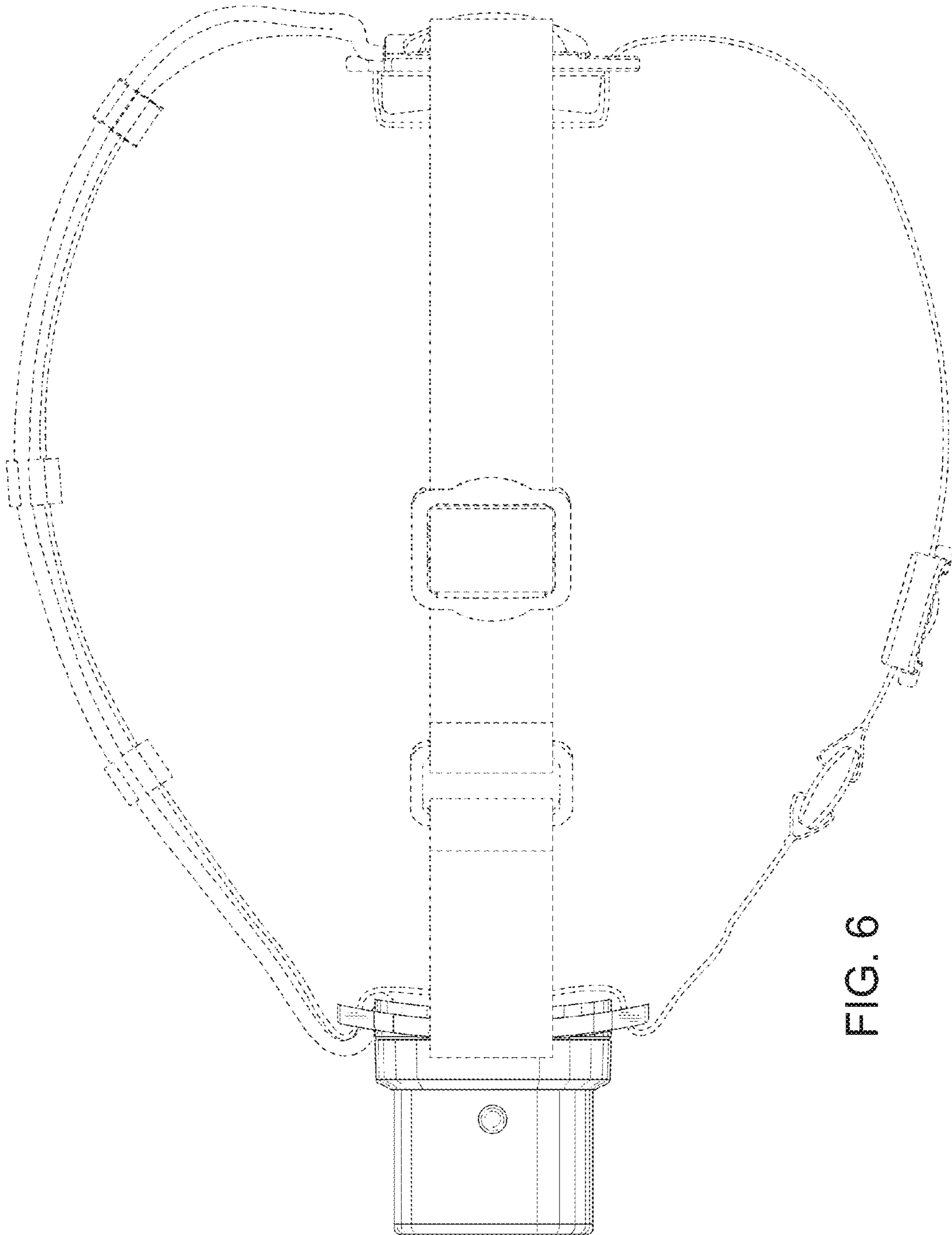


FIG. 6

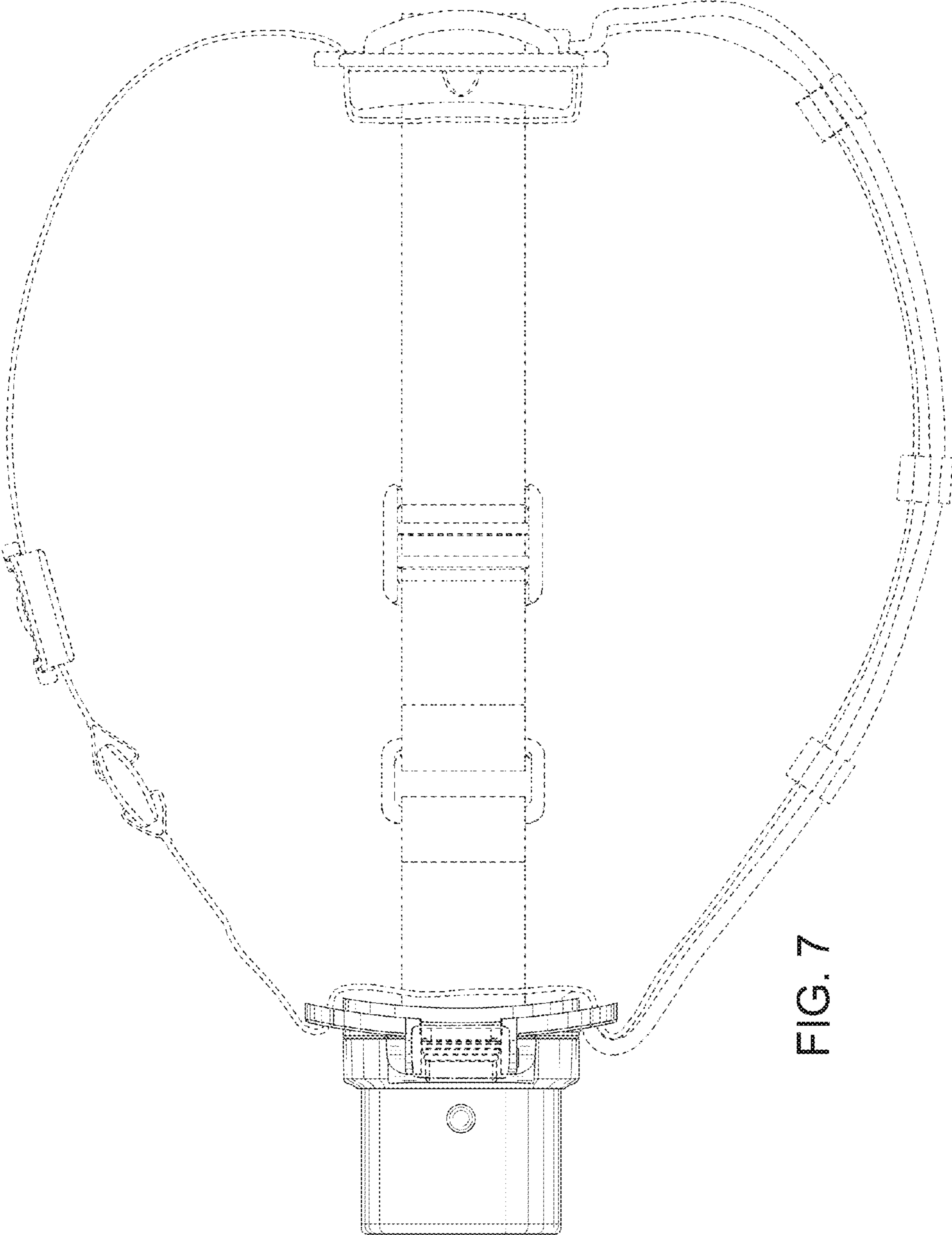


FIG. 7

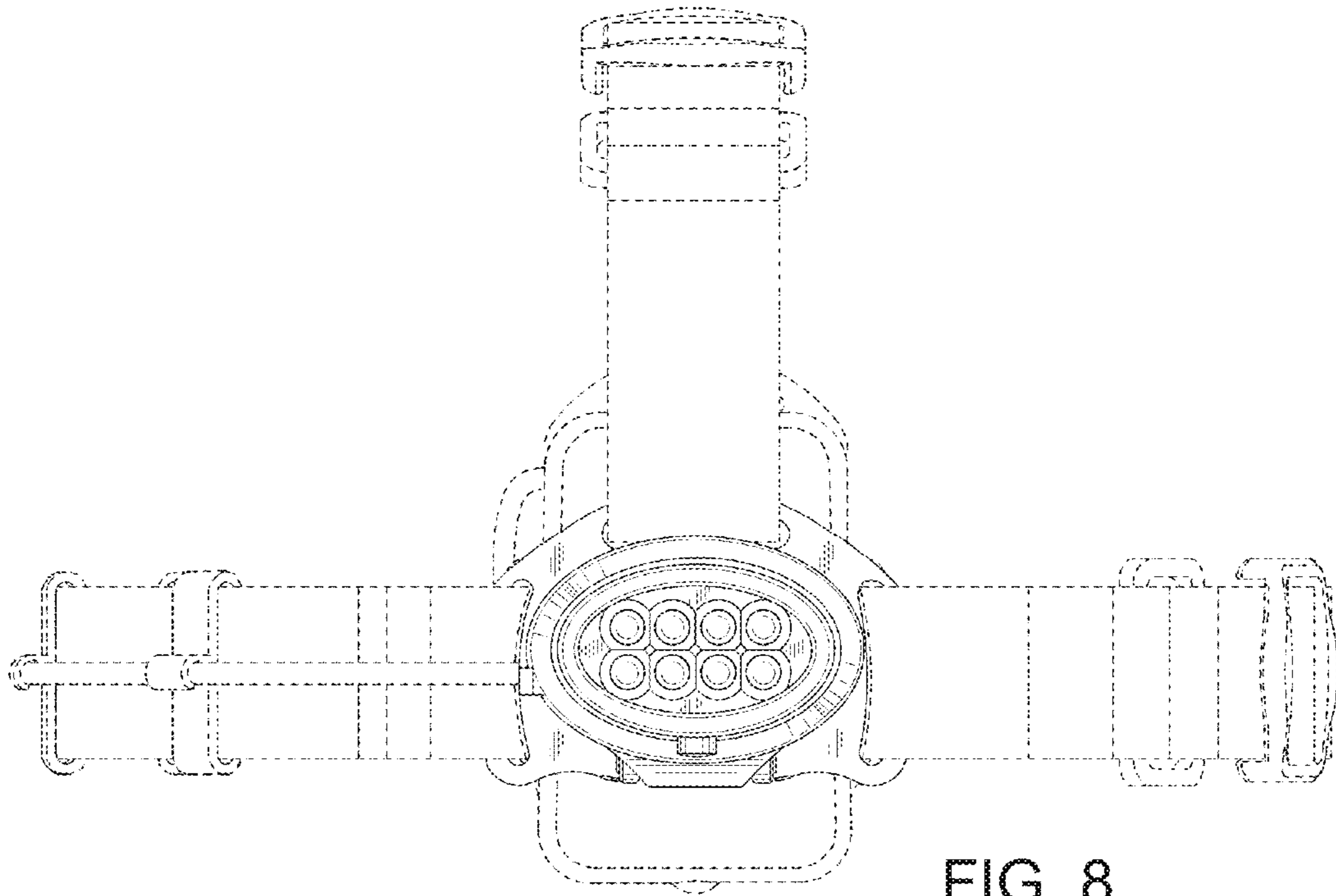


FIG. 8

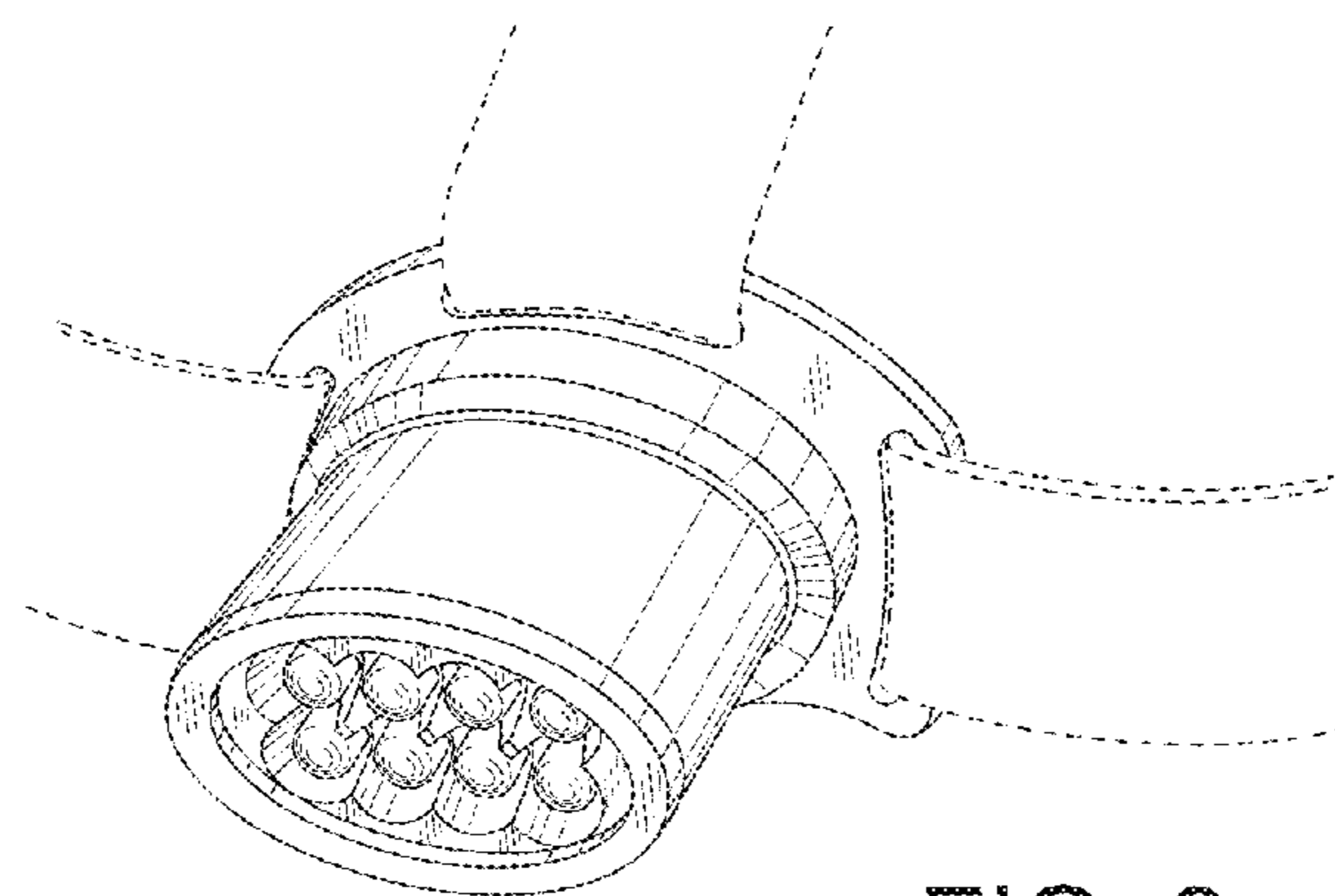


FIG. 9

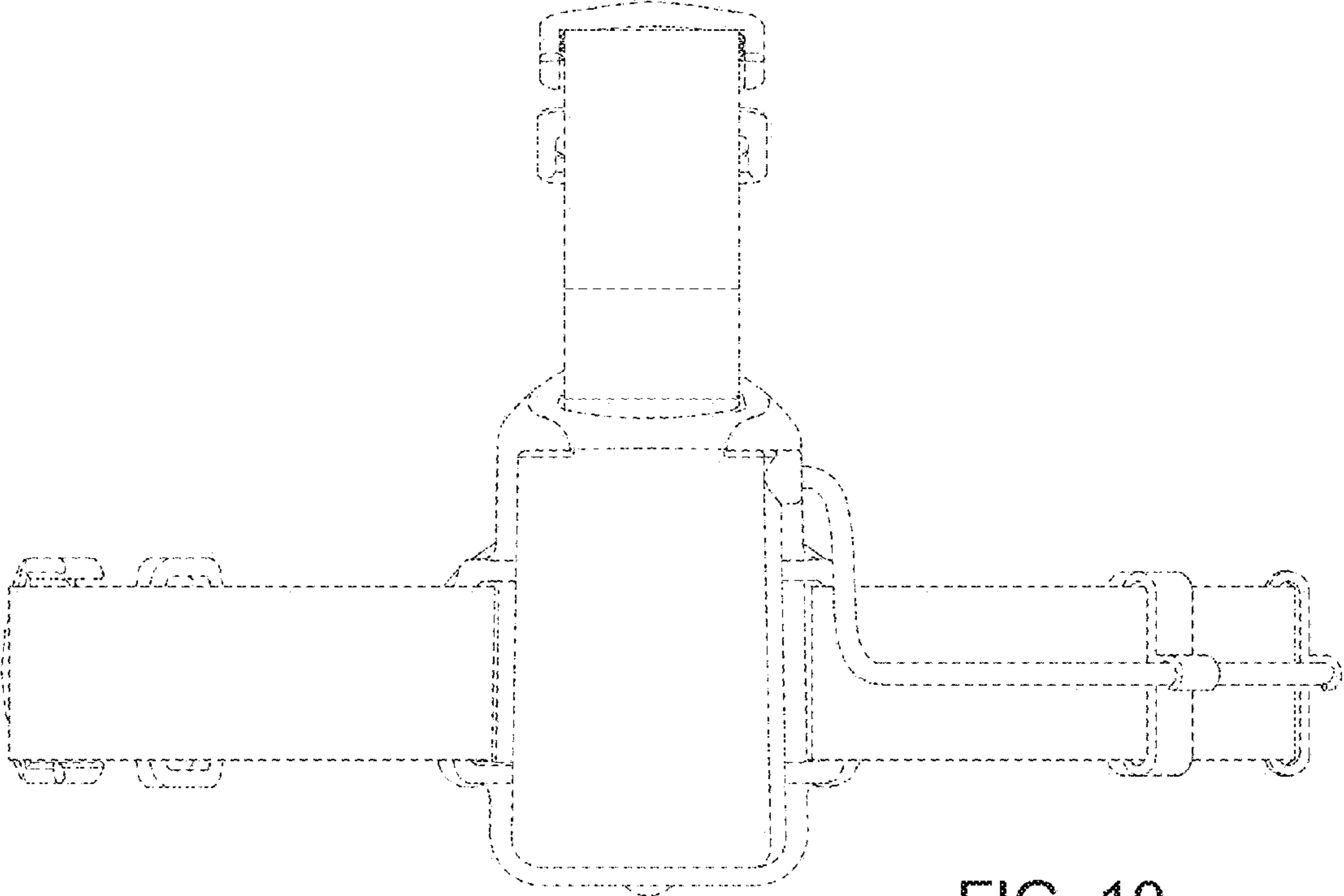


FIG. 10

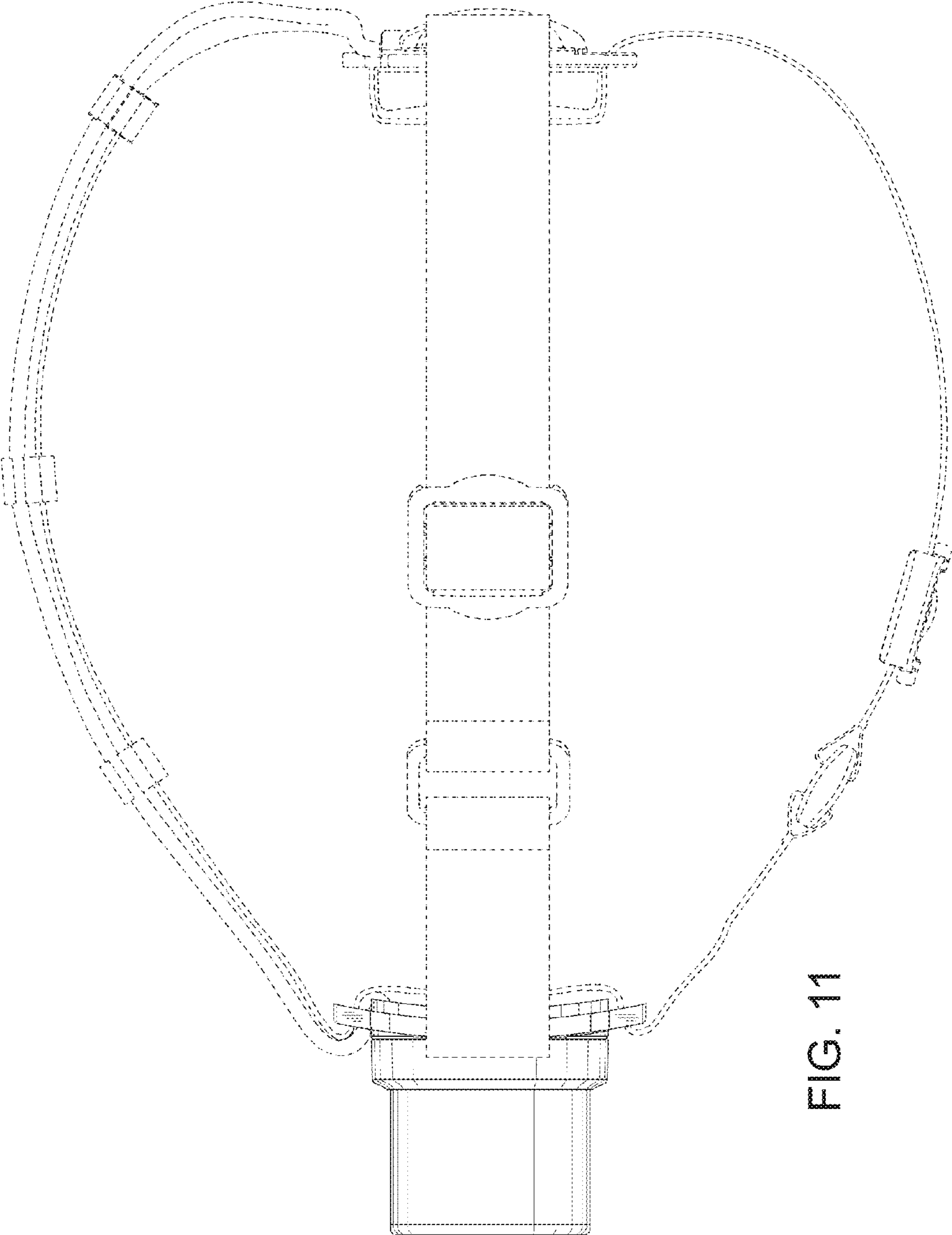


FIG. 11

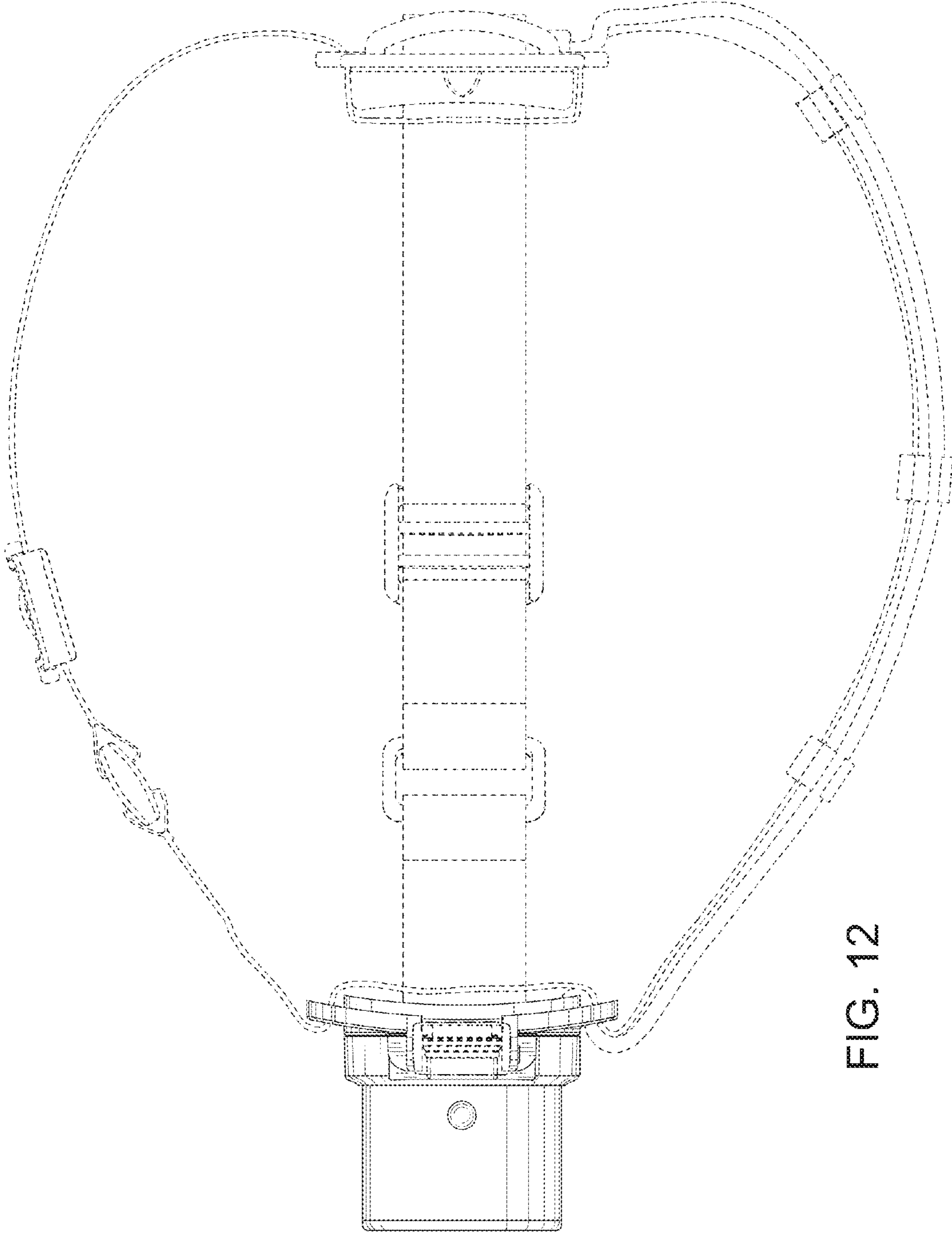


FIG. 12