

US00D723198S

(12) **United States Design Patent**
Campbell et al.

(10) **Patent No.:** **US D723,198 S**

(45) **Date of Patent:** **** *Feb. 24, 2015**

(54) **VEHICLE TAILLIGHT**

(71) Applicant: **Ford Global Technologies, LLC**,
Dearborn, MI (US)

(72) Inventors: **Paul Campbell**, Essex (GB); **Jordan Bennett**, London (GB); **Guy Colborne**,
West Sussex (GB); **Wolfgang Gotschke**,
Cologne (DE)

(73) Assignee: **Ford Motor Company**, Dearborn, MI
(US)

(*) Notice: This patent is subject to a terminal disclaimer.

(**) Term: **14 Years**

(21) Appl. No.: **29/435,958**

(22) Filed: **Oct. 31, 2012**

(30) **Foreign Application Priority Data**

May 4, 2012 (DE) 40 2012 100 340

(51) **LOC (10) Cl.** **26-06**

(52) **U.S. Cl.**
USPC **D26/28**

(58) **Field of Classification Search**
USPC D26/28-36; 362/459-468, 475-478,
362/485-487

See application file for complete search history.

(56) **References Cited**

U.S. PATENT DOCUMENTS

D528,231 S *	9/2006	Ikeda	D26/28
D528,686 S *	9/2006	Kato	D26/28
D529,208 S *	9/2006	Ikeda	D26/28
D535,409 S *	1/2007	Yamaguchi	D26/28
D550,380 S *	9/2007	Lin	D26/28
D570,015 S *	5/2008	Hsu	D26/28

* cited by examiner

Primary Examiner — Marcus Jackson

(74) *Attorney, Agent, or Firm* — Damian Porcari

(57) **CLAIM**

The ornamental design for a vehicle taillight, shown and described.

DESCRIPTION

FIG. 1 is a left side elevational view of a left vehicle taillight (the right vehicle taillight being a mirror image and is not shown);

FIG. 2 is right side elevational view of the vehicle taillight;

FIG. 3 is a front elevational view of the vehicle taillight;

FIG. 4 is a top plan view of the vehicle taillight;

FIG. 5 is a bottom plan view of the vehicle taillight;

FIG. 6 is a perspective view of the vehicle taillight; and,

FIG. 7 is another perspective view of the vehicle taillight.

1 Claim, 7 Drawing Sheets

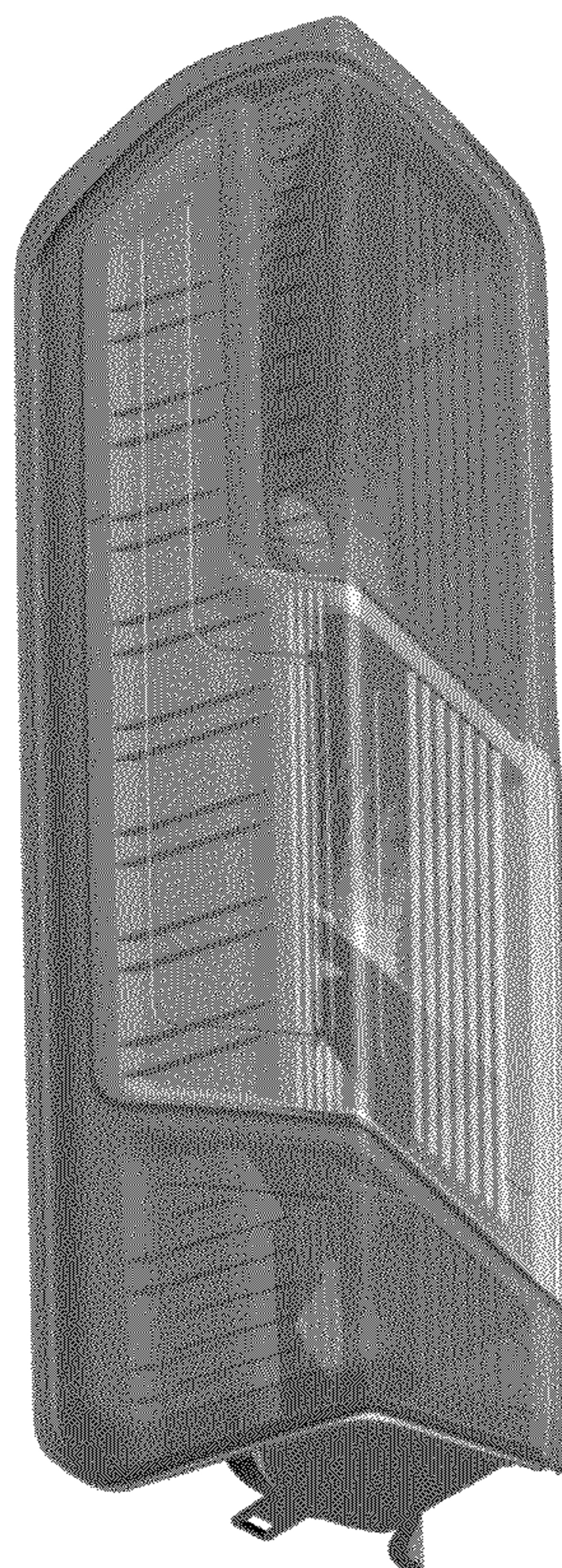
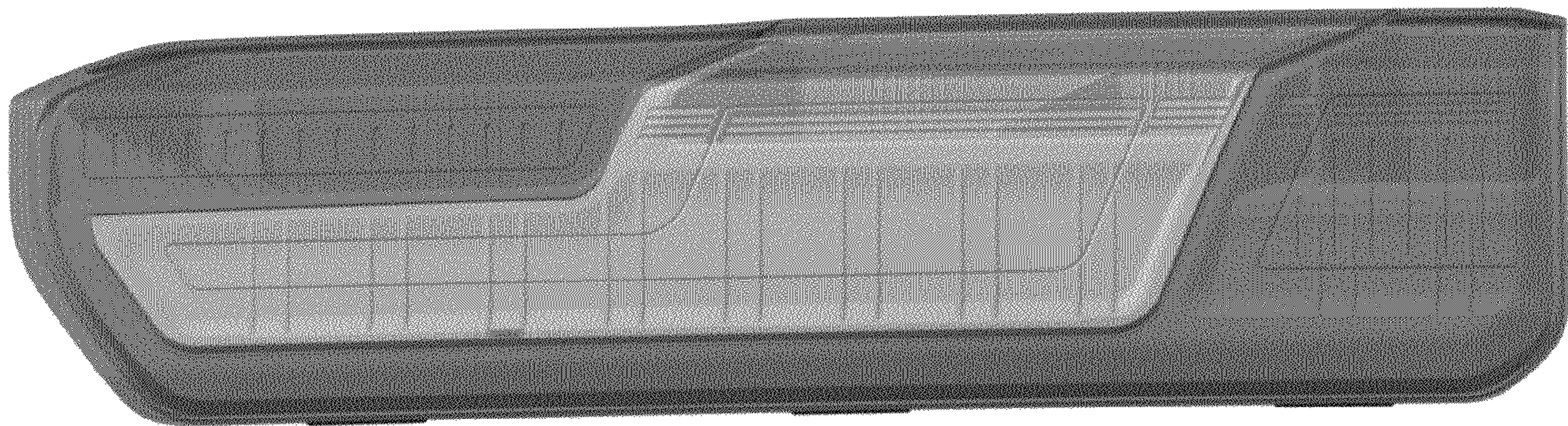


Figure 1



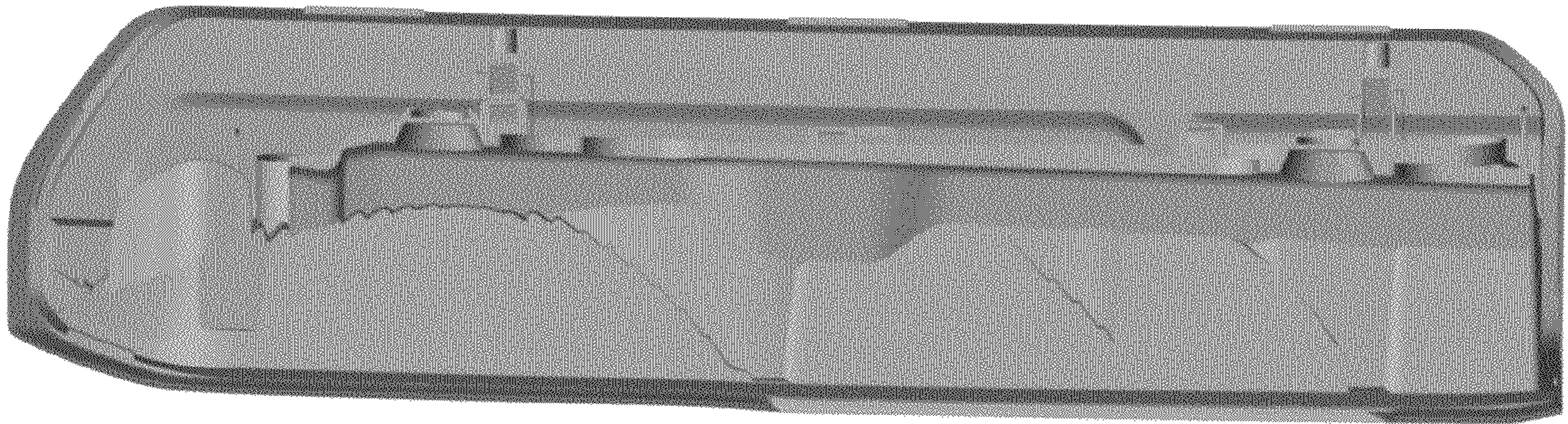


Figure 2

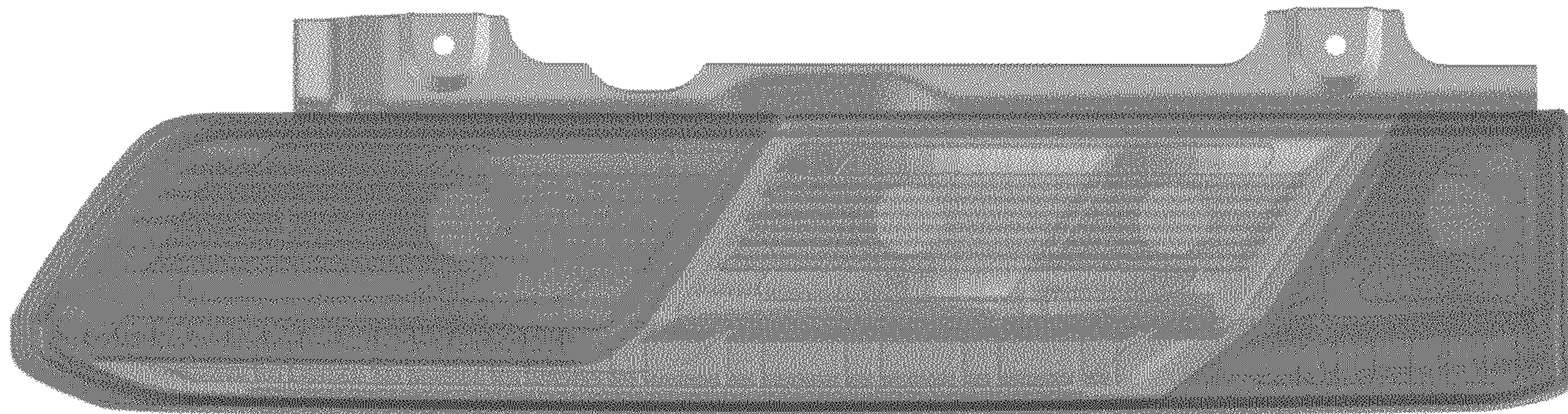


Figure 3

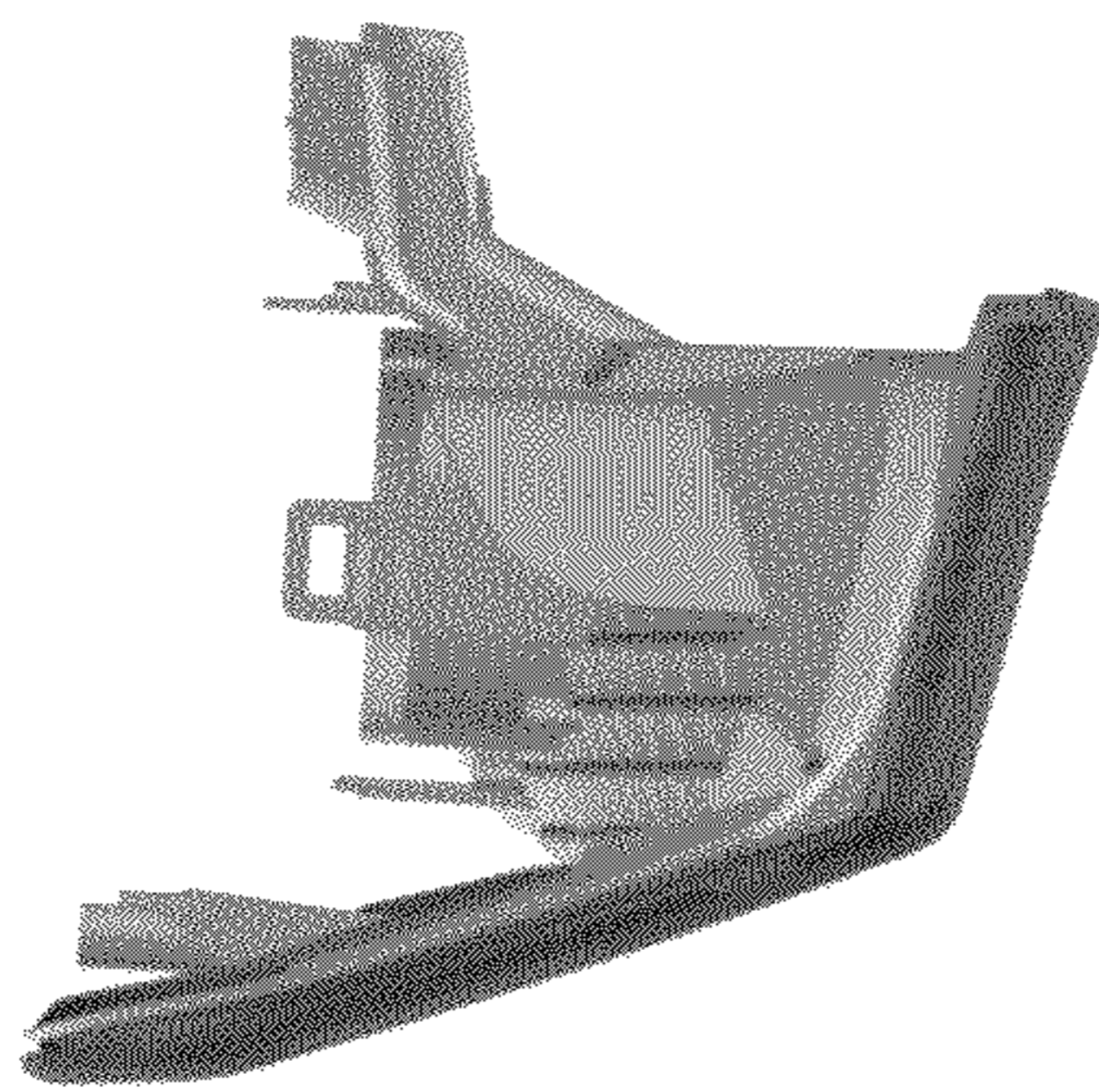


Figure 4

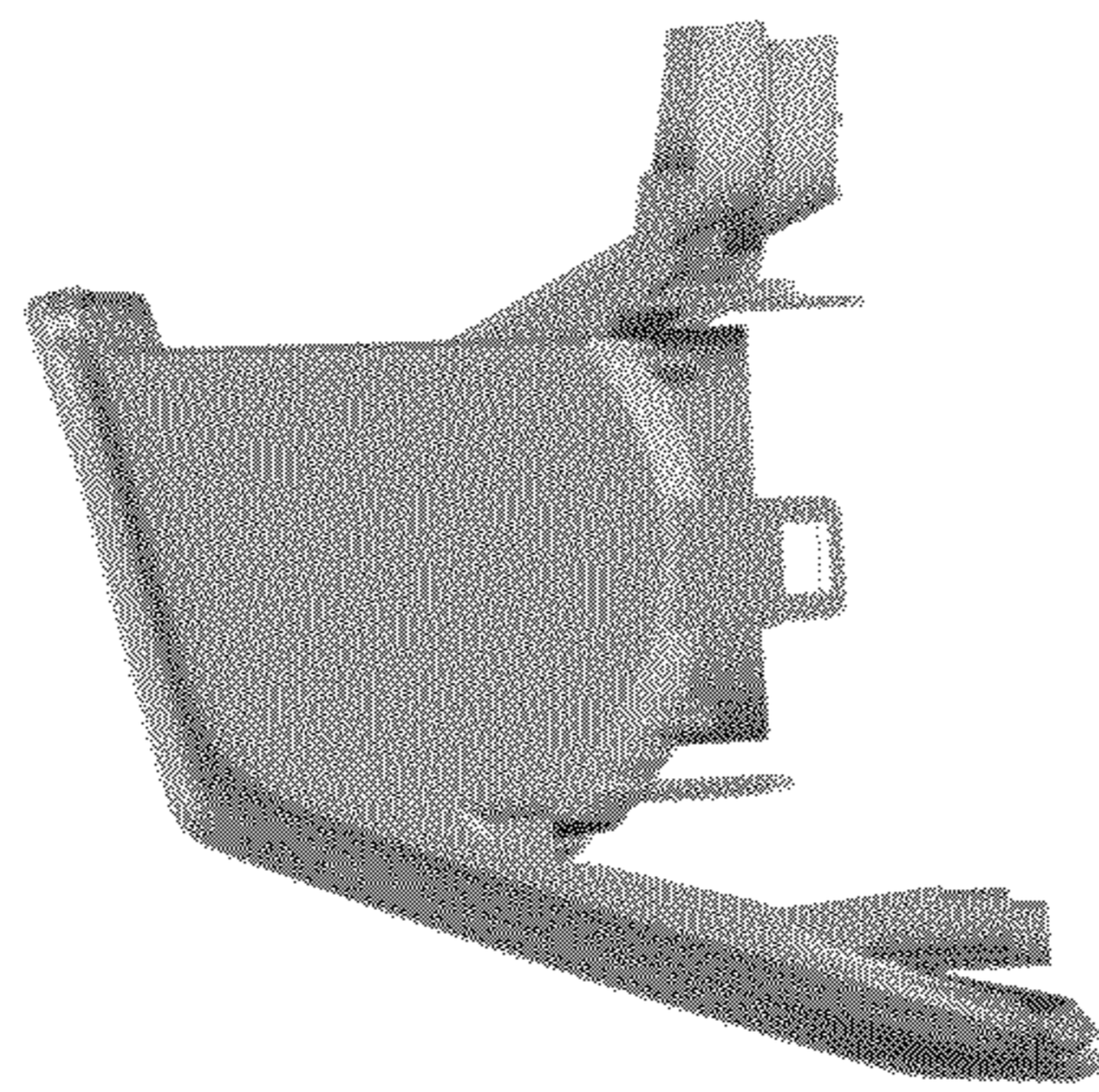


Figure 5

Figure 6

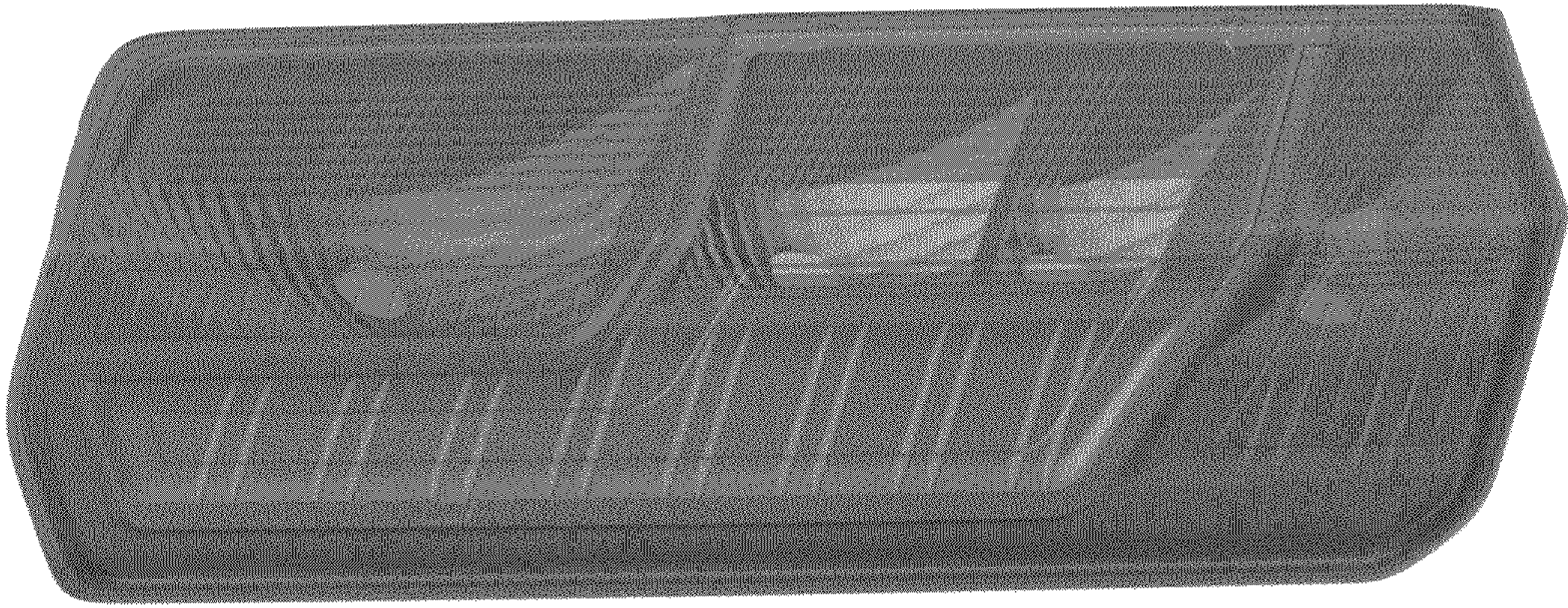


Figure 7

