

US00D723195S

(12) **United States Design Patent**
Potter

(10) **Patent No.:** **US D723,195 S**

(45) **Date of Patent:** **** Feb. 24, 2015**

(54) **FUEL BURNER STAND**

(71) Applicant: **Stephen Potter**, San Francisco, CA (US)

(72) Inventor: **Stephen Potter**, San Francisco, CA (US)

(**) Term: **14 Years**

(21) Appl. No.: **29/482,459**

(22) Filed: **Feb. 18, 2014**

(51) **LOC (10) Cl.** **26-01**

(52) **U.S. Cl.**
USPC **D26/8; D26/9**

(58) **Field of Classification Search**
USPC D26/8, 114-116; 431/320, 343, 350,
431/146, 345; 47/17, 32.4, 32.5, 32.7, 33,
47/39, 41.01, 41.1, 44-47, 65, 65.5, 65.9,
47/66.1, 66.2, 66.6, 66.7, 67-71;
D6/403-405, 556-558

See application file for complete search history.

(56) **References Cited**

U.S. PATENT DOCUMENTS

D45,601 S *	4/1914	Mohrhenn	D7/354
D81,436 S *	6/1930	Dew et al.	D6/403
D242,318 S *	11/1976	Gamberoff	D6/403
D250,563 S *	12/1978	Getner	D6/484
D361,632 S *	8/1995	Ratia	D26/10
D434,247 S *	11/2000	Rosenberg	D6/403

D445,414 S *	7/2001	Powers, Jr.	D14/207
D449,180 S *	10/2001	Blake	D6/403
D478,735 S *	8/2003	Sellers	D6/403
D484,715 S *	1/2004	Missry	D6/403
D504,185 S *	4/2005	Donley	D26/8
D504,789 S *	5/2005	Hayes	D6/403
D542,054 S *	5/2007	Knight	D6/403
D559,008 S *	1/2008	Knight	D6/403

* cited by examiner

Primary Examiner — T. Chase Nelson

Assistant Examiner — Ania Aman

(74) *Attorney, Agent, or Firm* — QuickPatents; Kevin Prince

(57) **CLAIM**

I claim the ornamental design for a fuel burner stand, as shown and described.

DESCRIPTION

FIG. 1 is a perspective view of a fuel burner stand, showing my new design as used with a fuel container;

FIG. 2 is a perspective view thereof, illustrated without the fuel container;

FIG. 3 is a front elevational view of FIG. 2;

FIG. 4 is a rear elevational view of FIG. 2;

FIG. 5 is a left-side elevational view of FIG. 2;

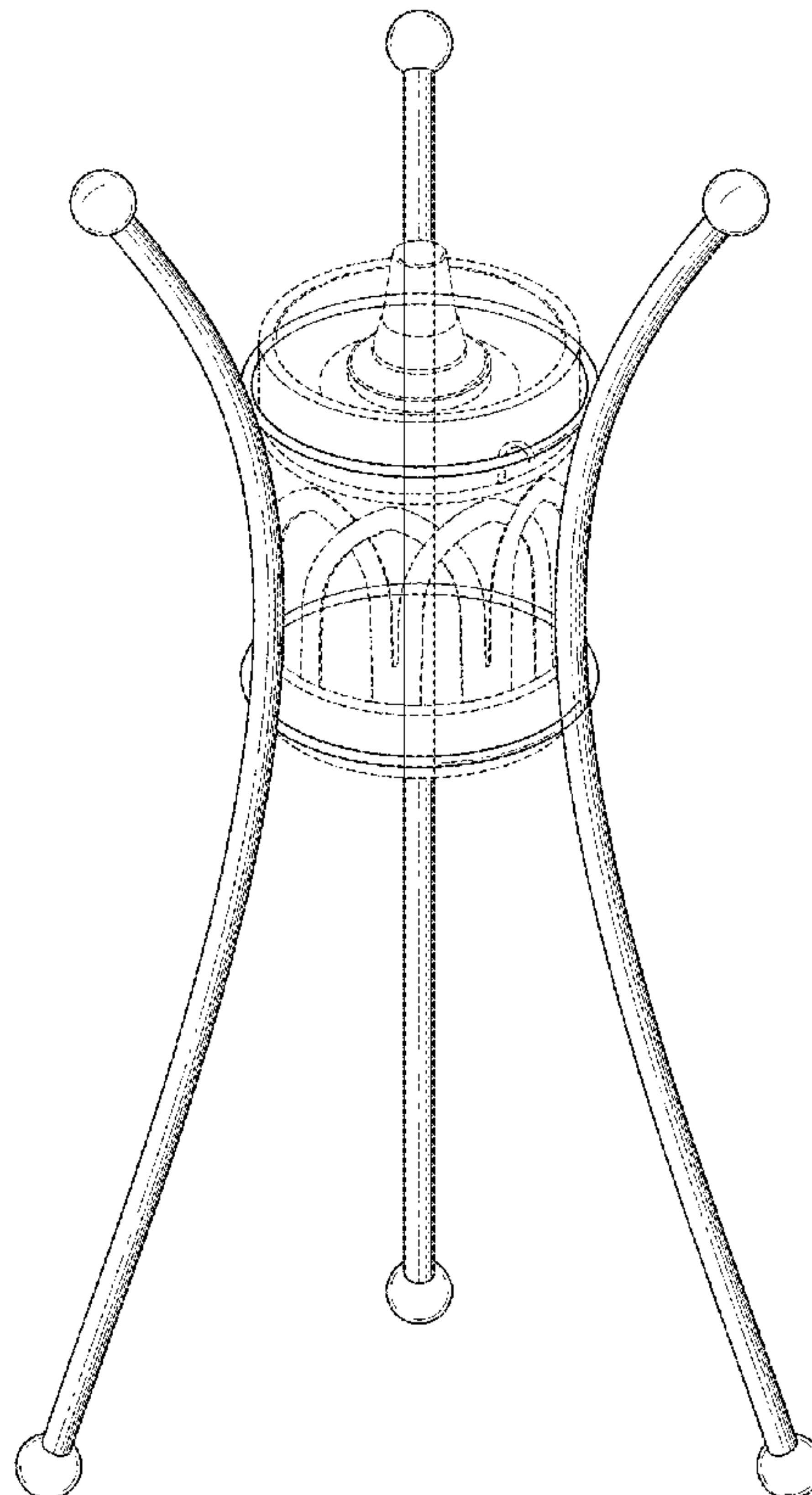
FIG. 6 is a right-side elevational view of FIG. 2;

FIG. 7 is a top plan view of FIG. 2; and,

FIG. 8 is a bottom plan view of FIG. 2.

The broken lines showing a fuel container in FIG. 1 depict environmental matter and form no part of the claimed design.

1 Claim, 5 Drawing Sheets



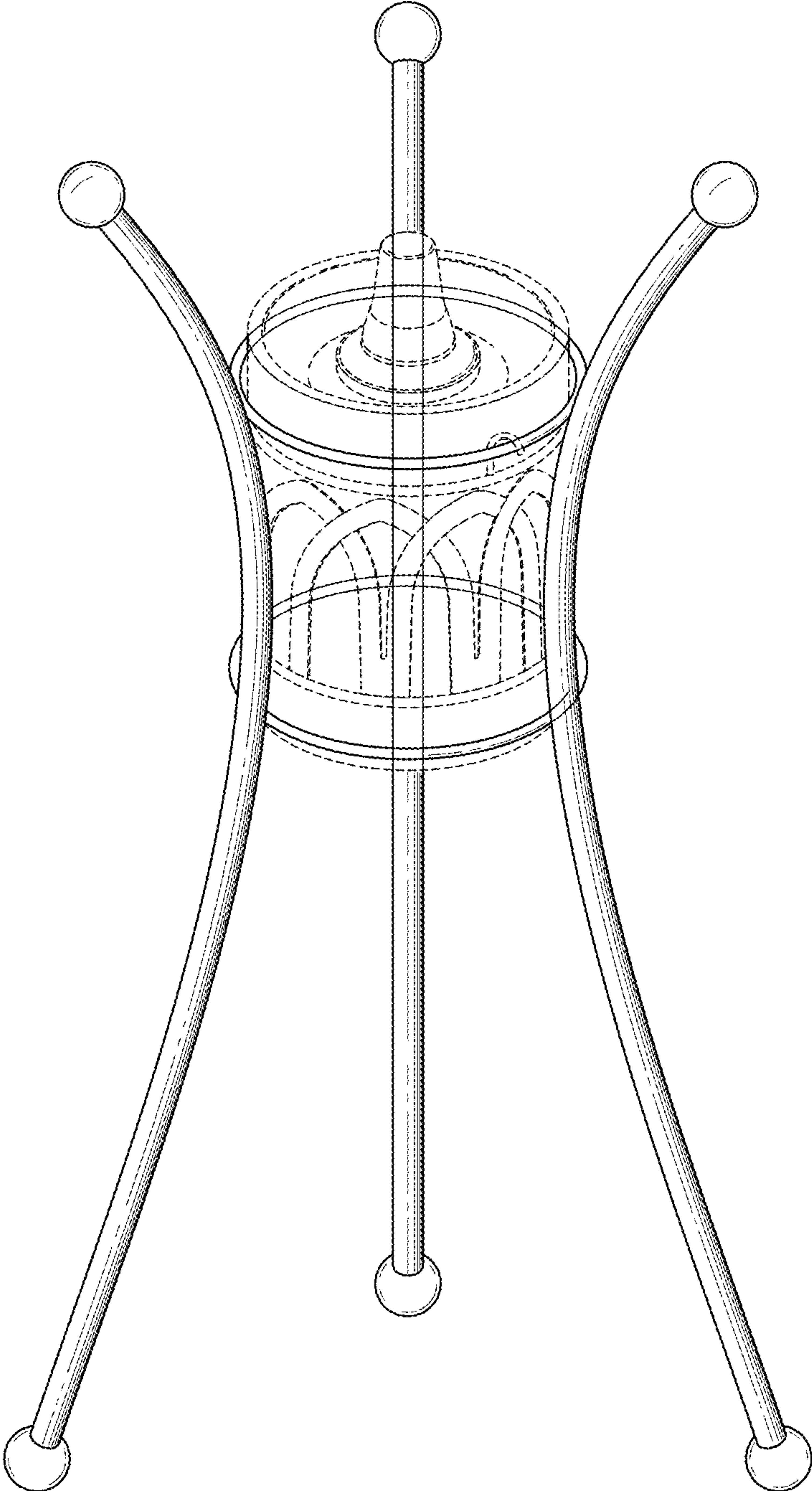


FIG. 1

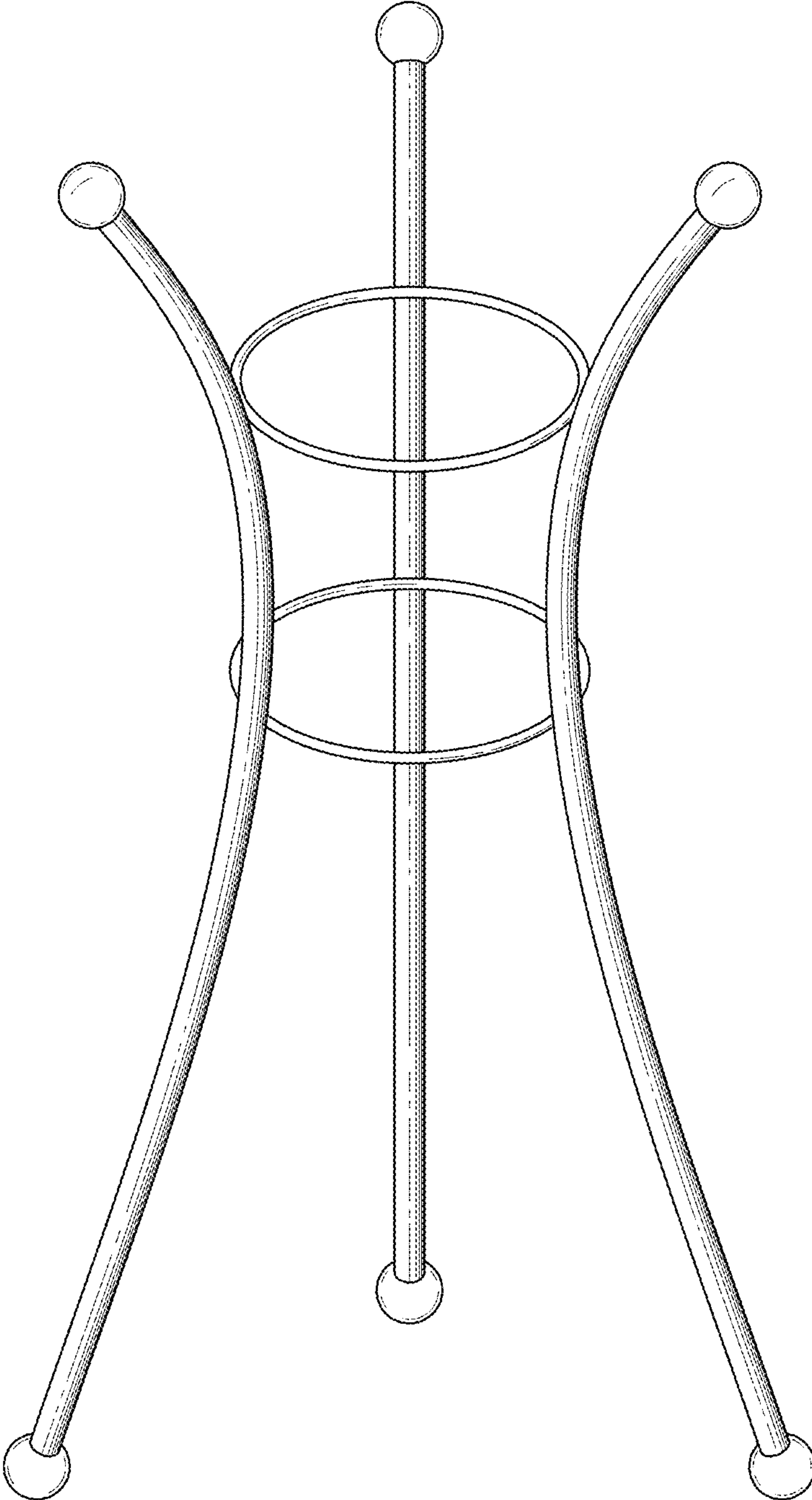


FIG. 2

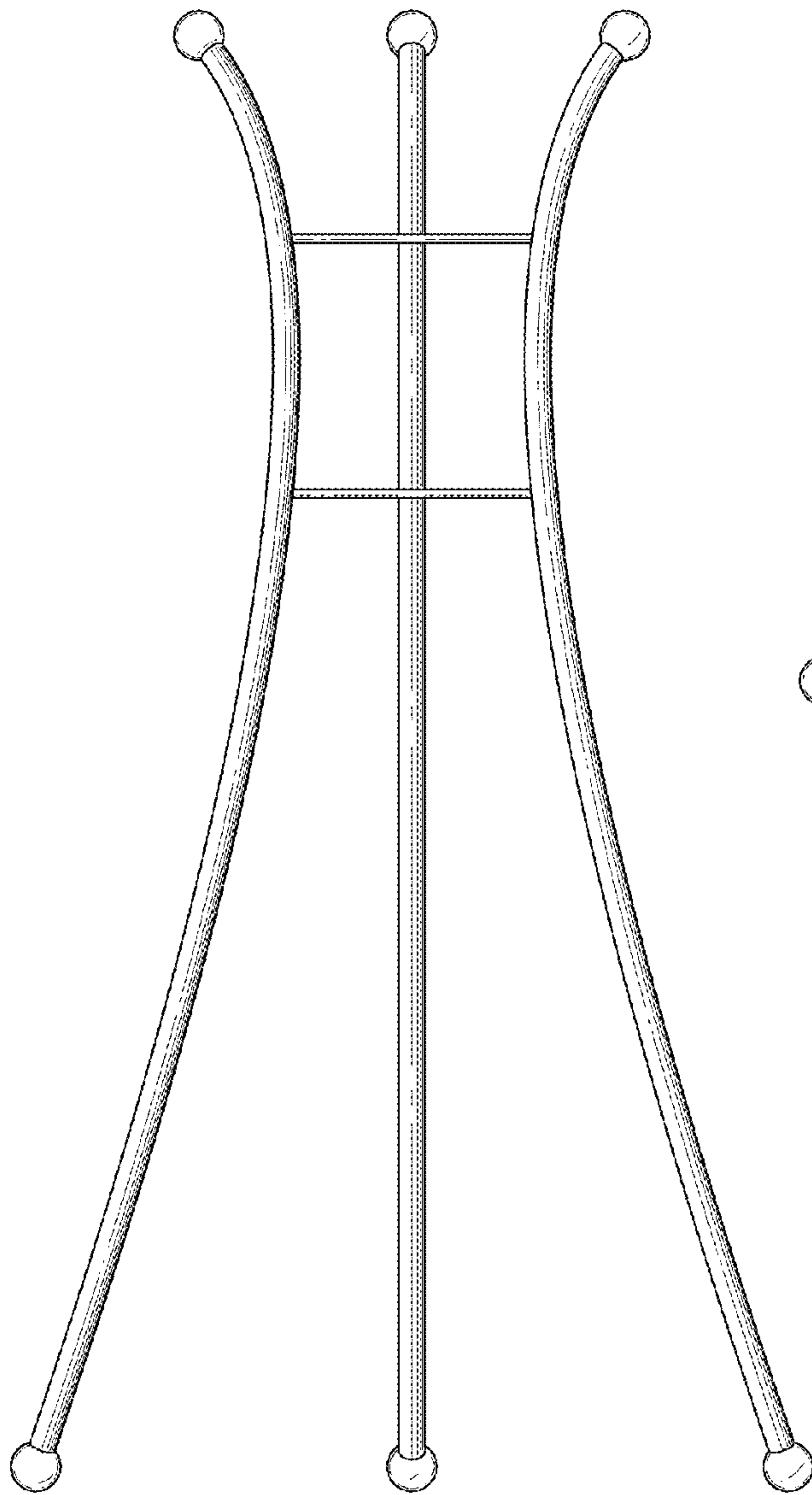


FIG. 3

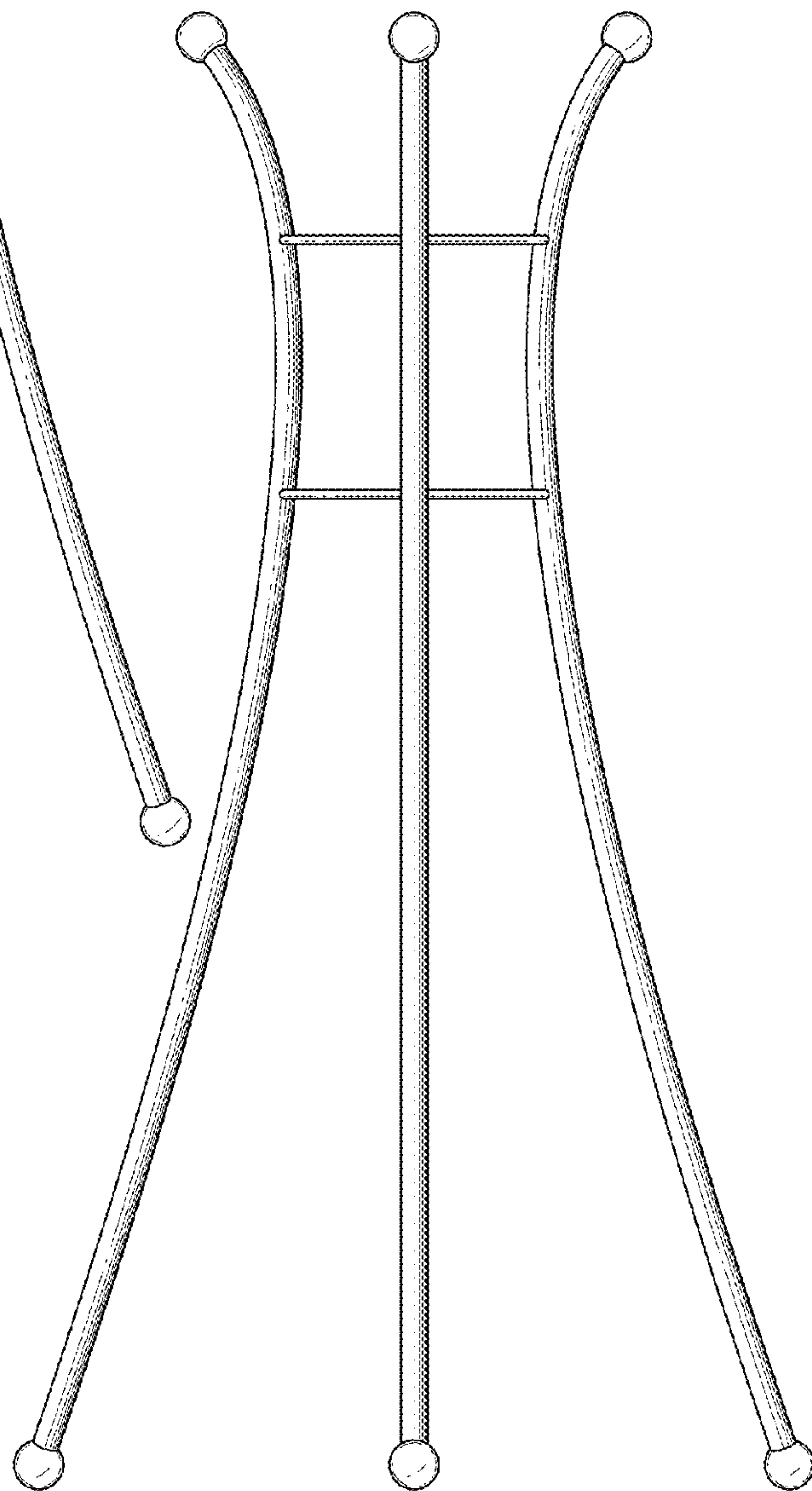


FIG. 4

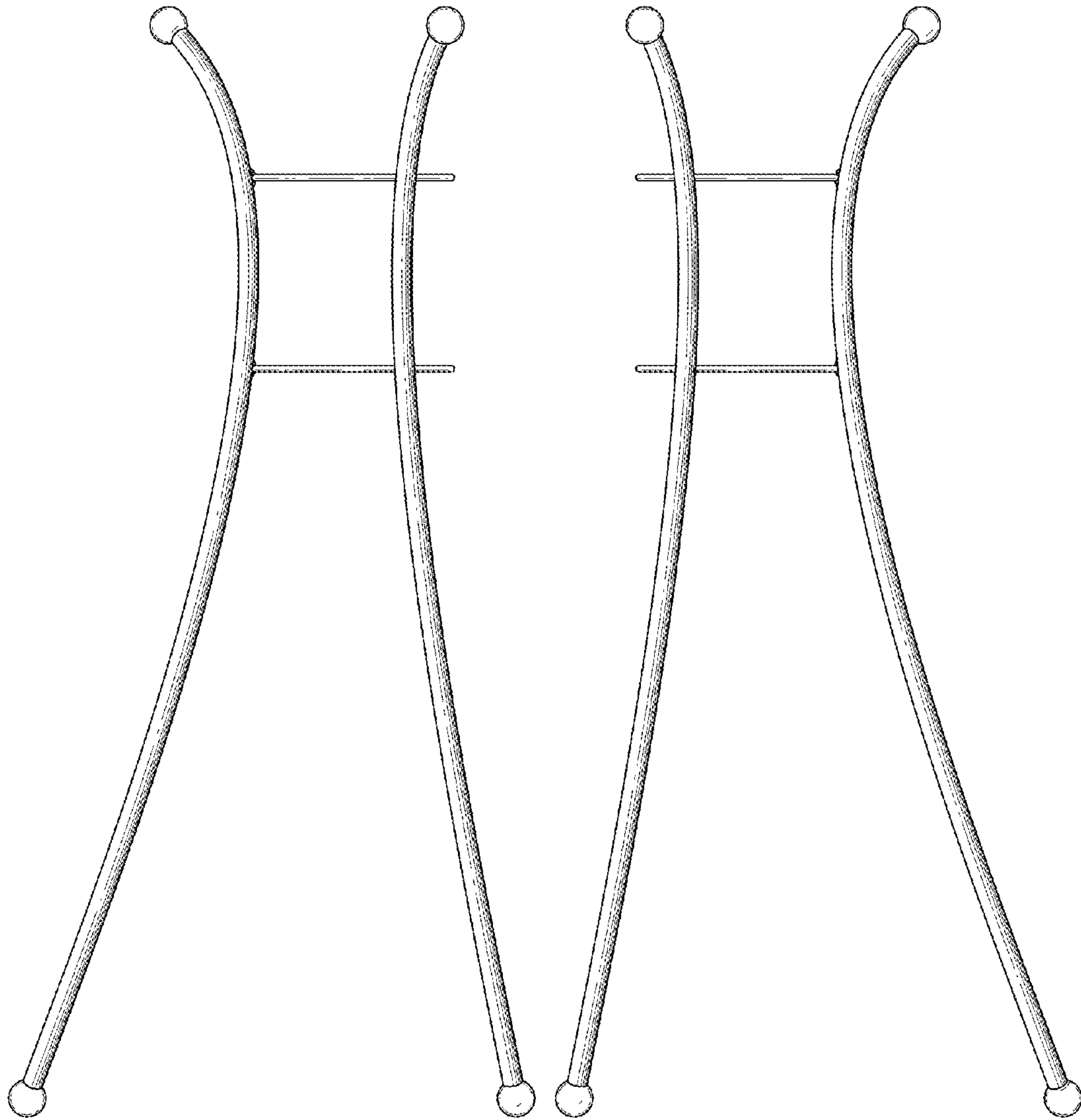


FIG. 5

FIG. 6

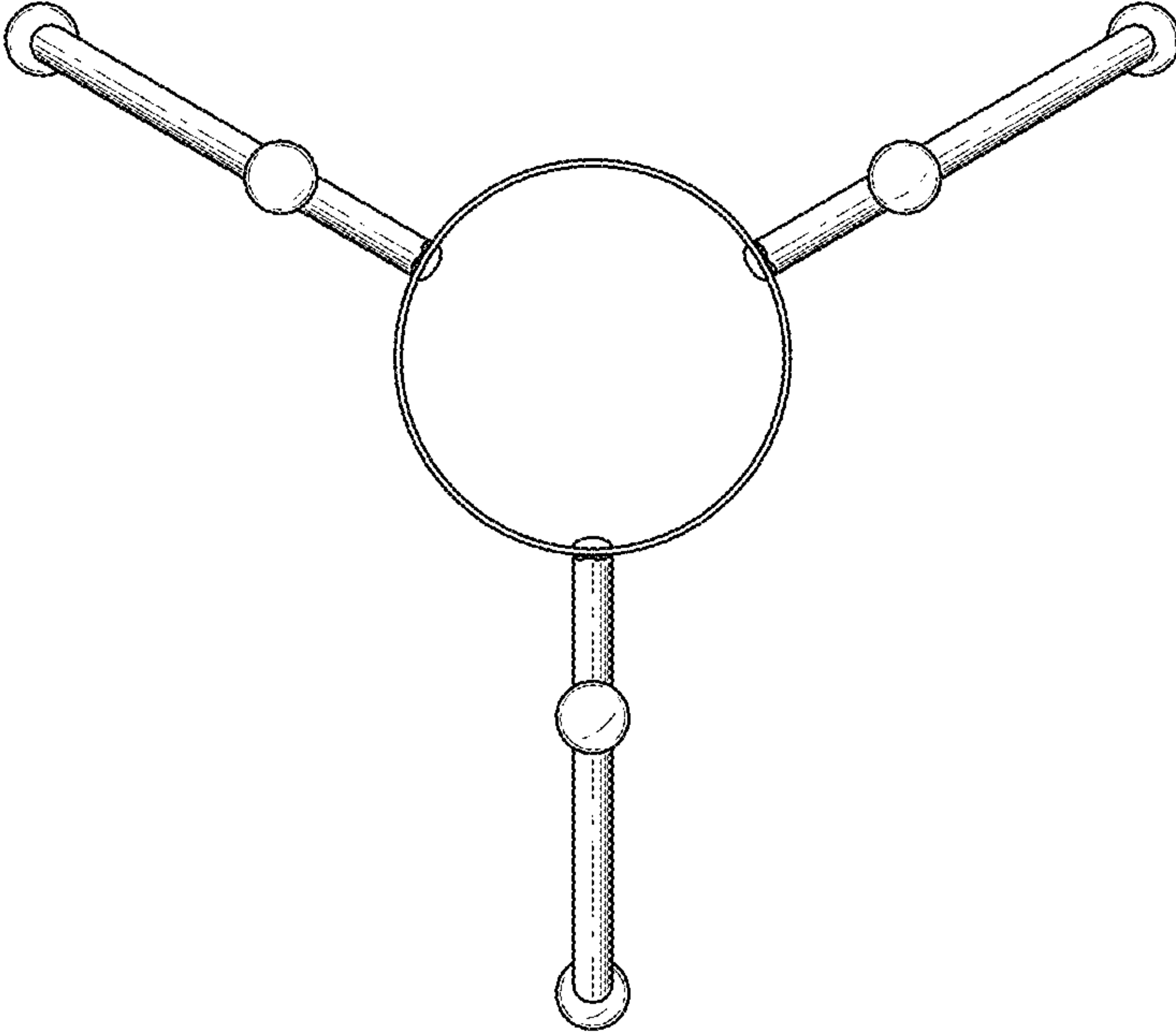


FIG. 7

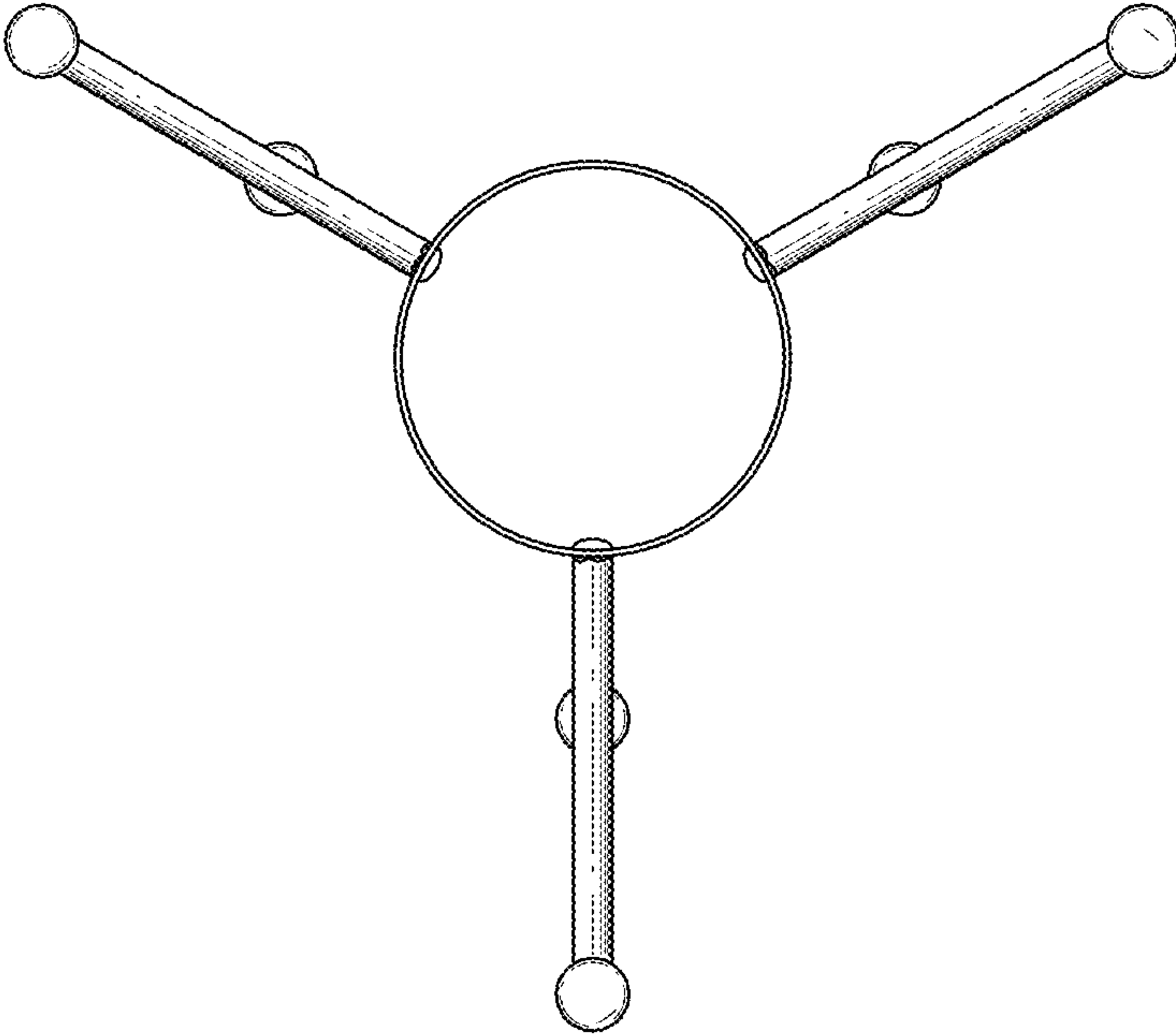


FIG. 8