



US00D723194S

(12) **United States Design Patent**
Taylor et al.

(10) **Patent No.:** **US D723,194 S**
(45) **Date of Patent:** **** Feb. 24, 2015**

- (54) **LIGHTING FIXTURE**
- (71) Applicant: **Tadd, LLC**, N. Barrington, IL (US)
- (72) Inventors: **Timothy Taylor**, Barrington, IL (US);
Tony Chang, Treasure Island, IL (US)
- (73) Assignee: **Tadd, LLC**, North Barrington, IL (US)
- (**) Term: **14 Years**
- (21) Appl. No.: **29/454,181**
- (22) Filed: **May 7, 2013**
- (51) **LOC (10) Cl.** **26-04**
- (52) **U.S. Cl.**
USPC **D26/2**
- (58) **Field of Classification Search**
USPC D26/1-4; 313/313, 315, 316, 317, 318,
313/493; 315/52, 53, 56, 57, 58
See application file for complete search history.

| | | | | |
|-----------------|---------|------------------|-------|-------|
| D582,578 S * | 12/2008 | Tsai et al. | | D26/2 |
| D584,428 S * | 1/2009 | Li et al. | | D26/2 |
| 7,524,089 B2 | 4/2009 | Park | | |
| D593,222 S * | 5/2009 | To et al. | | D26/2 |
| 7,581,856 B2 | 9/2009 | Kang et al. | | |
| D602,182 S * | 10/2009 | Foo | | D26/2 |
| D621,974 S | 8/2010 | Grajcar | | |
| 7,862,204 B2 | 1/2011 | Lodhie | | |
| 7,878,697 B2 | 2/2011 | Chiang | | |
| 7,959,330 B2 | 6/2011 | Hashimoto et al. | | |
| 7,990,031 B2 | 8/2011 | Lu | | |
| 7,997,750 B2 | 8/2011 | Chiang | | |
| 2009/0059559 A1 | 3/2009 | Pabst et al. | | |

FOREIGN PATENT DOCUMENTS

| | | |
|----|-------------|--------|
| EP | 2287527 | 2/2011 |
| WO | 00/17569 | 3/2000 |
| WO | 2010/096498 | 8/2010 |

OTHER PUBLICATIONS

High Power E27 60 LED light Led Bulb light lamp 220V 3W;
<http://www.lovesaction.com>.

* cited by examiner

Primary Examiner — Marcus Jackson
(74) *Attorney, Agent, or Firm* — Clark Hill PLC

(57) **CLAIM**
The ornamental design for a lighting fixture, as shown and described.

DESCRIPTION

FIG. 1 is a perspective view of the lighting fixture;
FIG. 2 is a bottom view thereof;
FIG. 3 is a top view thereof; and,
FIG. 4 is a side view thereof.

1 Claim, 4 Drawing Sheets

(56) **References Cited**
U.S. PATENT DOCUMENTS

| | | | |
|--------------|---------|-----------------|-------------|
| 6,499,860 B2 | 12/2002 | Begemann | |
| 6,577,512 B2 | 6/2003 | Tripathi et al. | |
| 6,586,890 B2 | 7/2003 | Min et al. | |
| 6,634,770 B2 | 10/2003 | Cao | |
| 6,634,771 B2 | 10/2003 | Cao | |
| 6,719,446 B2 | 4/2004 | Cao | |
| D513,640 S | 1/2006 | Chen | |
| D514,715 S | 2/2006 | Chen | |
| 7,086,756 B2 | 8/2006 | Maxik | |
| D545,457 S * | 6/2007 | Chen | D26/2 |
| 7,262,559 B2 | 8/2007 | Tripathi et al. | |
| D566,300 S * | 4/2008 | Lo | D26/2 |
| D571,489 S * | 6/2008 | Opolka | D26/2 |
| D574,092 S | 7/2008 | Sun | |

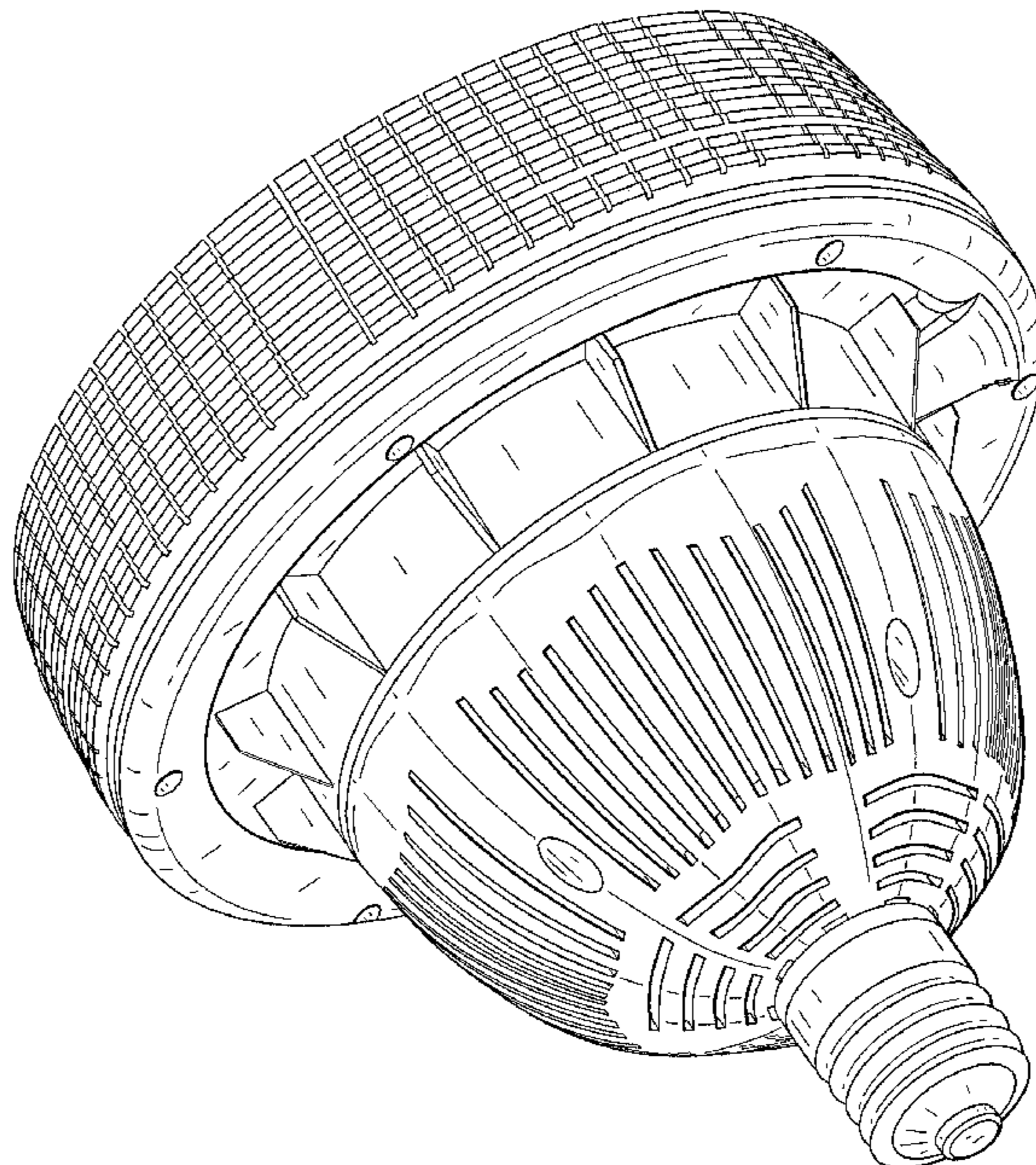


FIG. 1

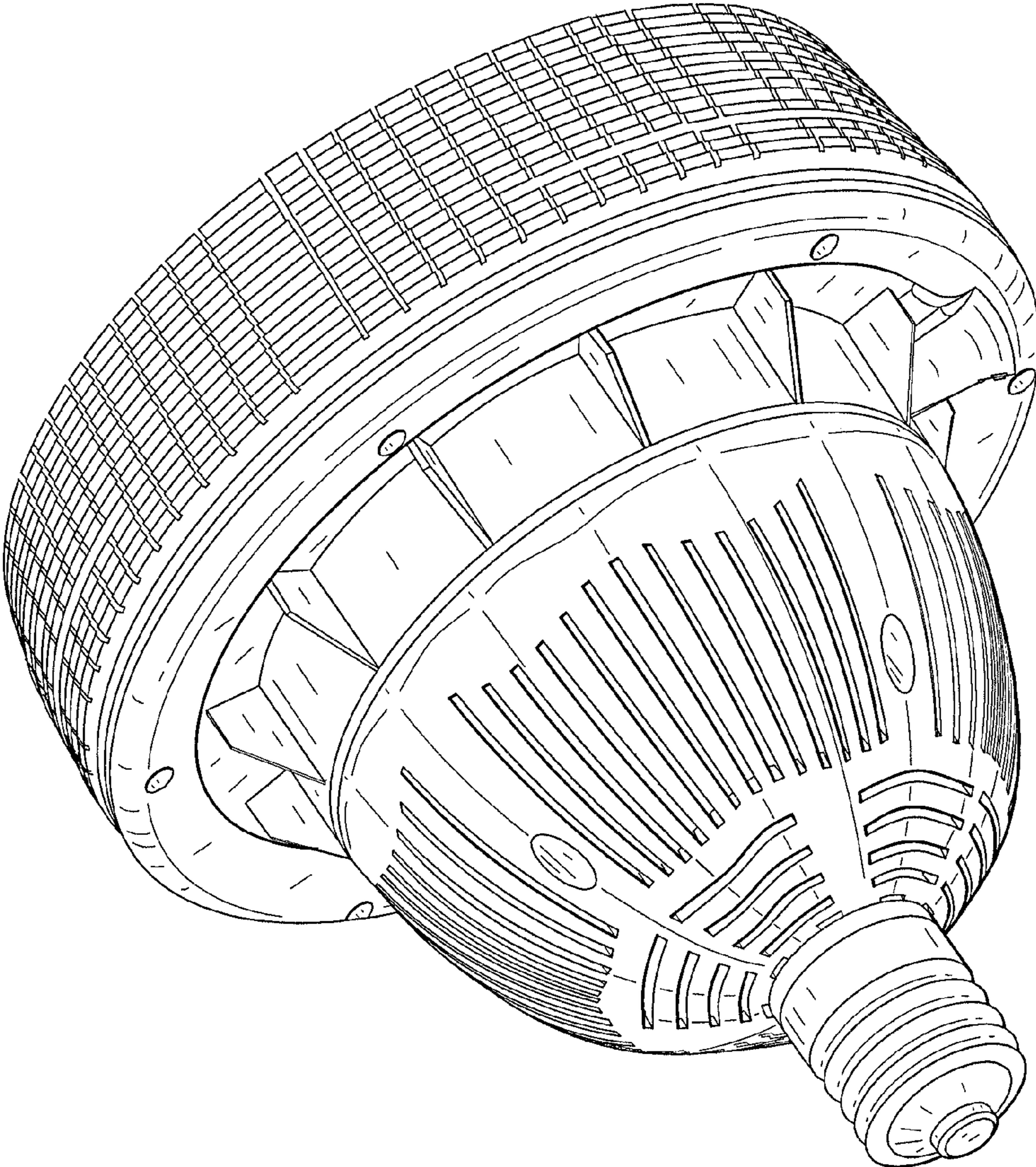


FIG. 2

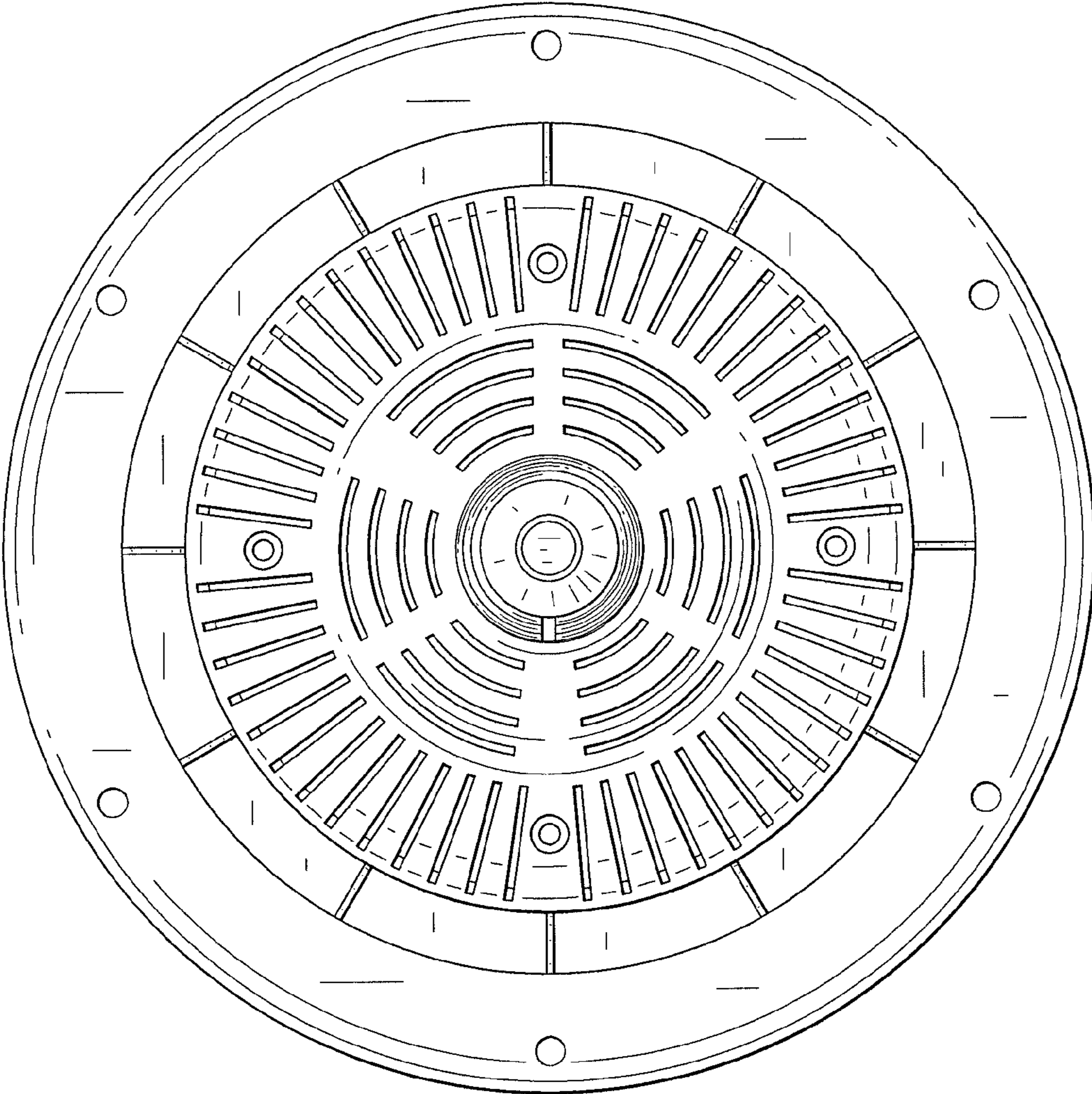


FIG. 3

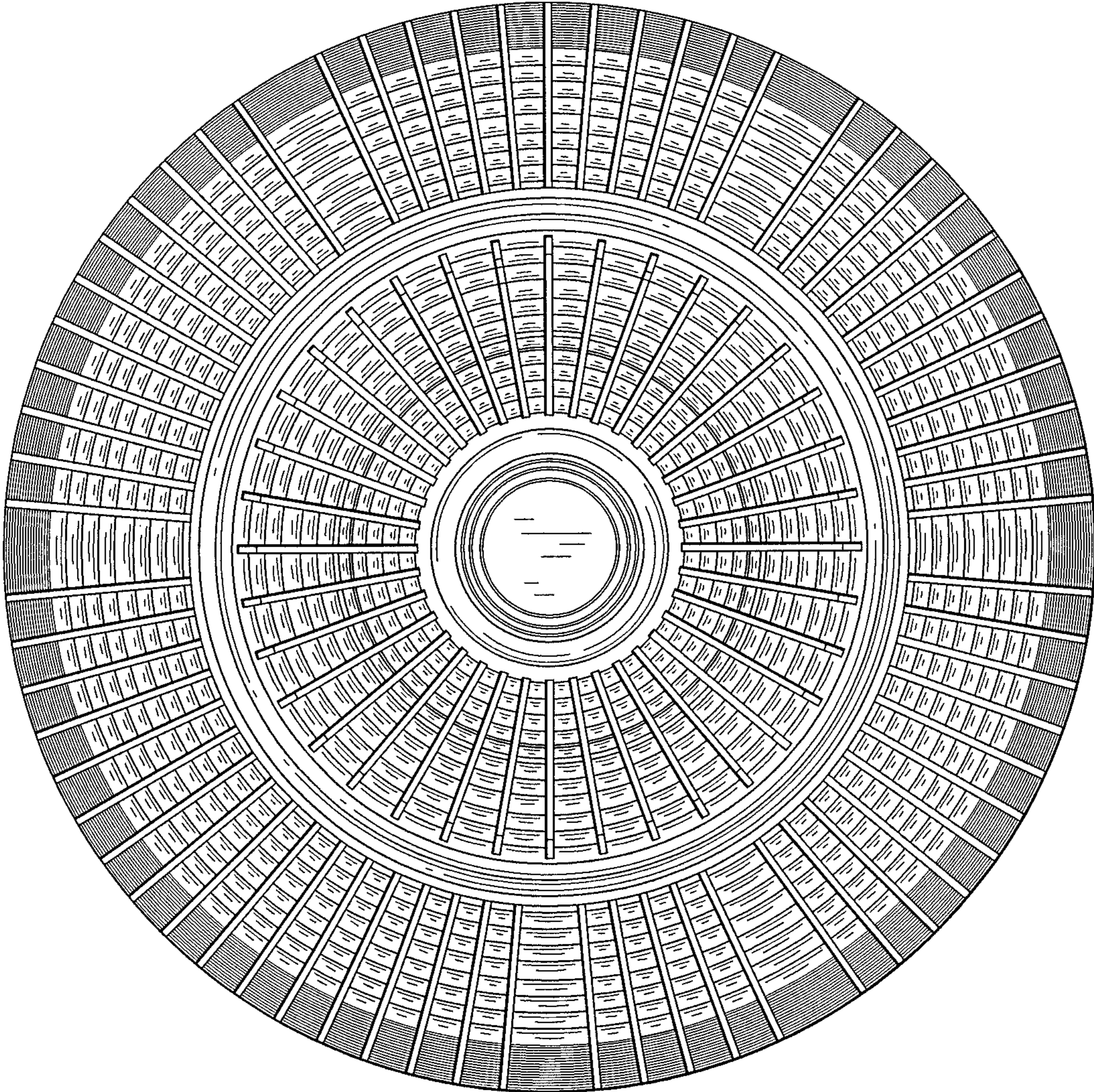


FIG. 4

