



US00D723192S

(12) **United States Design Patent**
Soni

(10) **Patent No.:** **US D723,192 S**

(45) **Date of Patent:** **** Feb. 24, 2015**

(54) **SPOT LIGHT**

(71) Applicant: **Photoquip India Ltd.**, Mumbai (IN)

(72) Inventor: **Vimal Soni**, Mumbai (IN)

(73) Assignee: **Photoquip India Ltd.**, Mumbai (IN)

(**) Term: **14 Years**

(21) Appl. No.: **29/452,615**

(22) Filed: **Apr. 18, 2013**

(30) **Foreign Application Priority Data**

Apr. 15, 2013 (IN) 253159

(51) **LOC (10) Cl.** **26-04**

(52) **U.S. Cl.**
USPC **D26/2**

(58) **Field of Classification Search**
USPC D26/1-4; 313/313, 315, 316, 317, 318,
313/493; 315/52, 53, 56, 57, 58
See application file for complete search history.

(56) **References Cited**

U.S. PATENT DOCUMENTS

D542,943 S * 5/2007 Wang D26/2
D544,110 S * 6/2007 Hooker et al. D26/2

D546,980 S * 7/2007 Lo et al. D26/2
D547,886 S * 7/2007 Foo D26/2
D549,854 S * 8/2007 Takahashi et al. D26/2
D566,300 S * 4/2008 Lo D26/2
D582,579 S * 12/2008 Tsai et al. D26/2
D587,383 S * 2/2009 Wei D26/2

* cited by examiner

Primary Examiner — Marcus Jackson

(74) *Attorney, Agent, or Firm* — Notaro, Michalos & Zaccaria P.C.

(57) **CLAIM**

The ornamental design for a spot light, as shown and described.

DESCRIPTION

FIG. 1 is a top, front, left perspective view of a spot light showing my new design therefor;
FIG. 2 is a top, rear, right perspective thereof;
FIG. 3 is a top plan view thereof;
FIG. 4 is a front elevational view thereof, the rear view being the same;
FIG. 5 is a bottom, front, left perspective view thereof;
FIG. 6 is a bottom, right, rear perspective view thereof;
FIG. 7 is a left side elevational view thereof, the right view being the same; and,
FIG. 8 is a bottom plan view thereof.

1 Claim, 4 Drawing Sheets

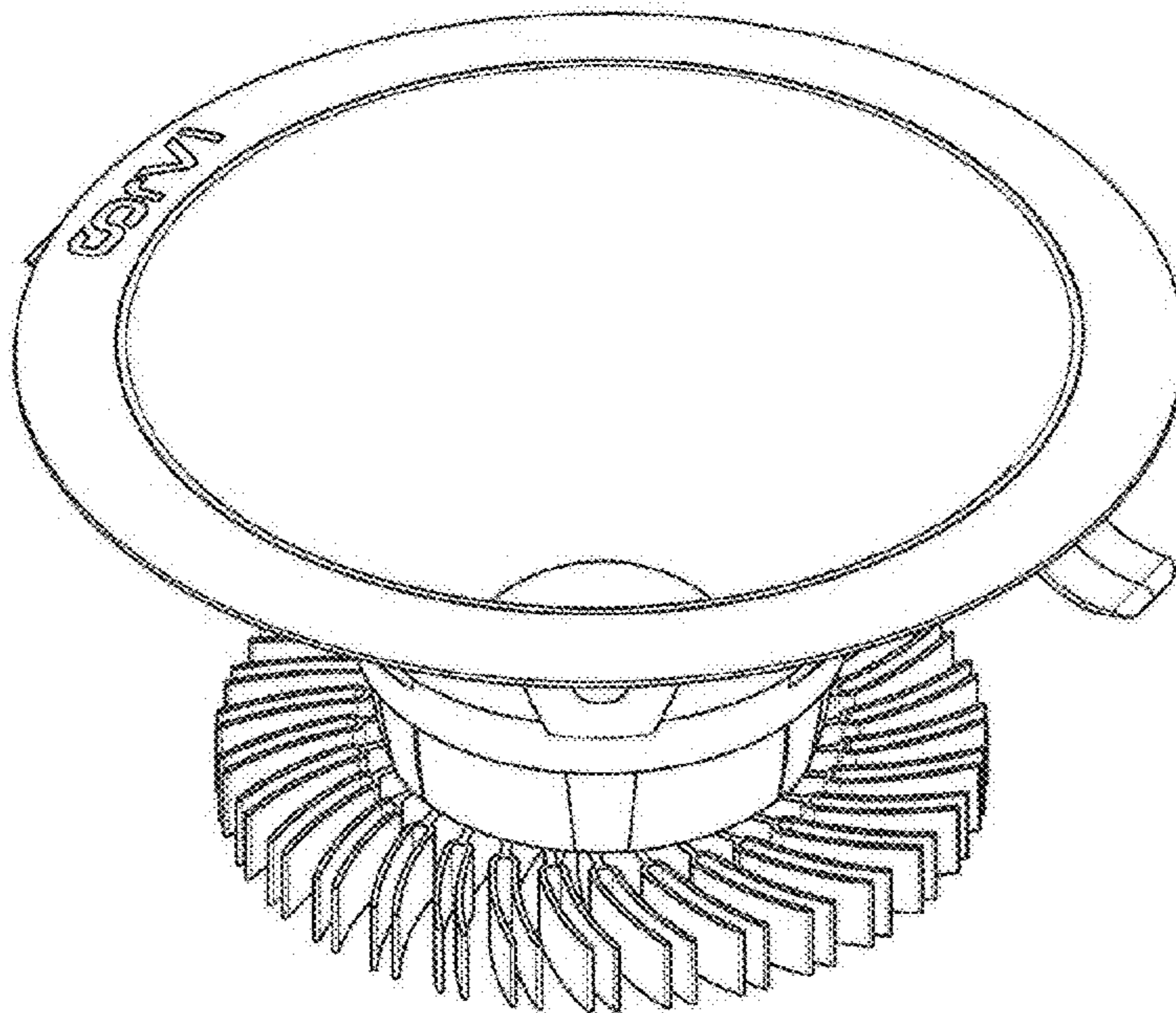


Fig. 1

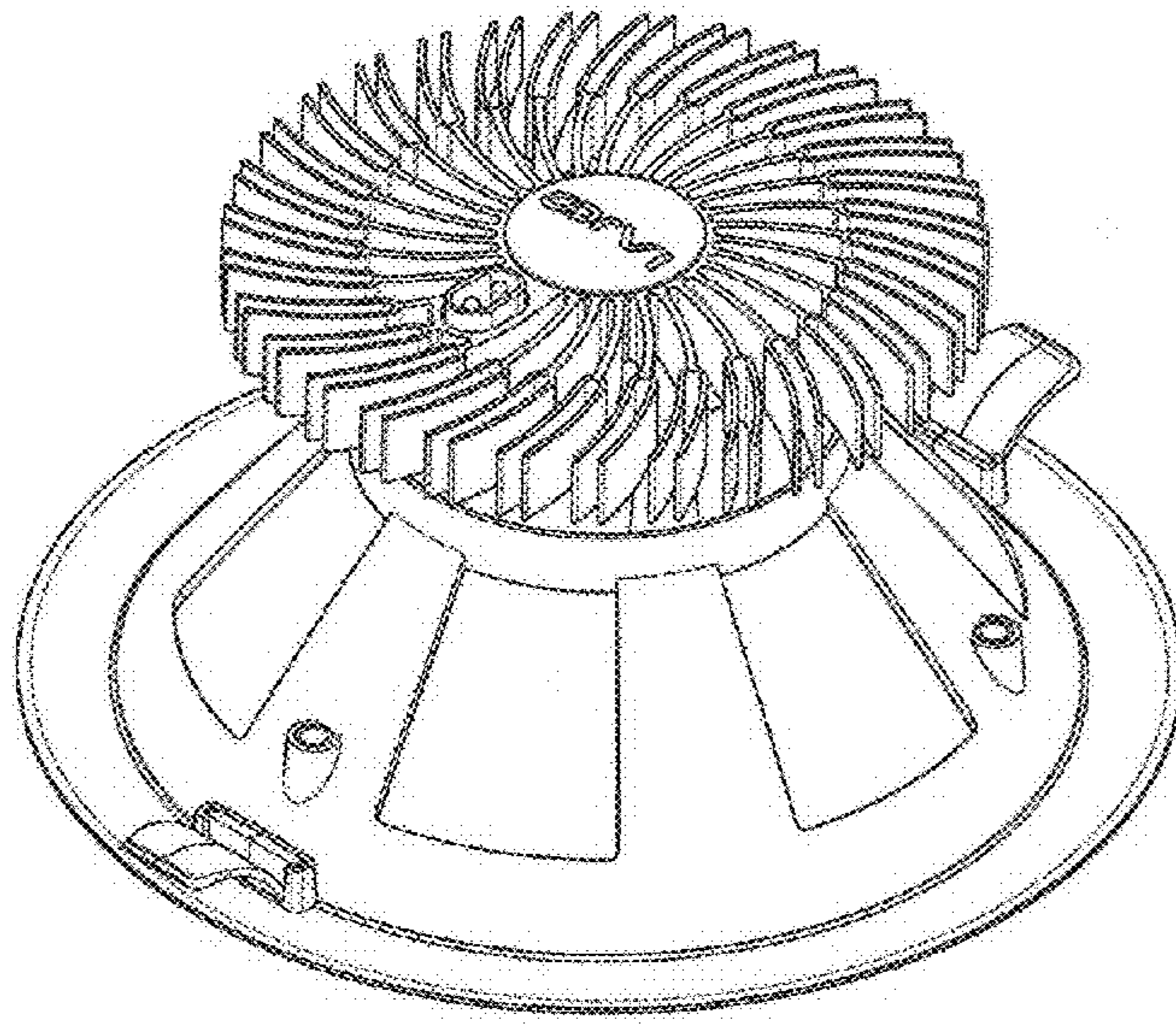


Fig. 2

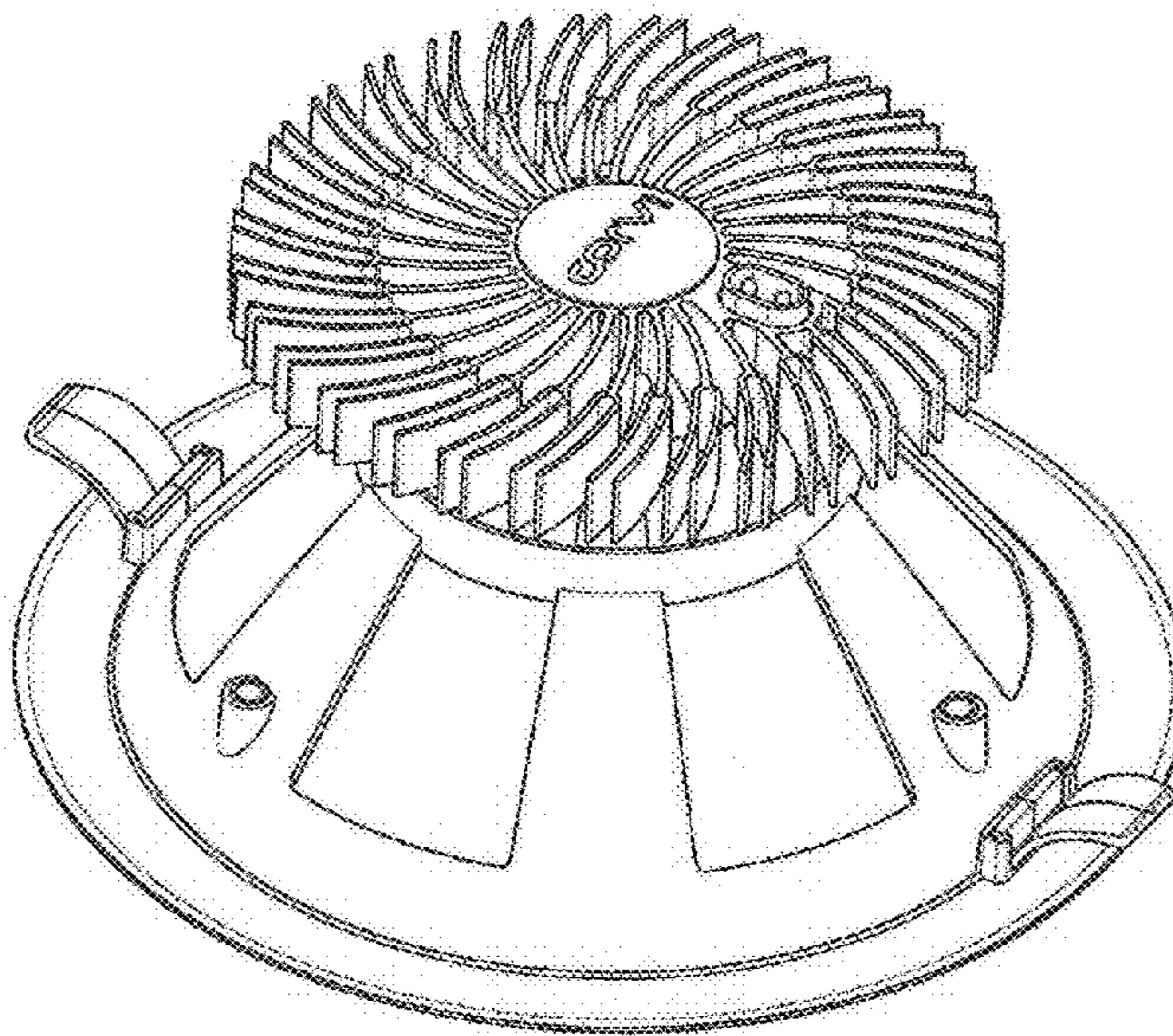


Fig. 3

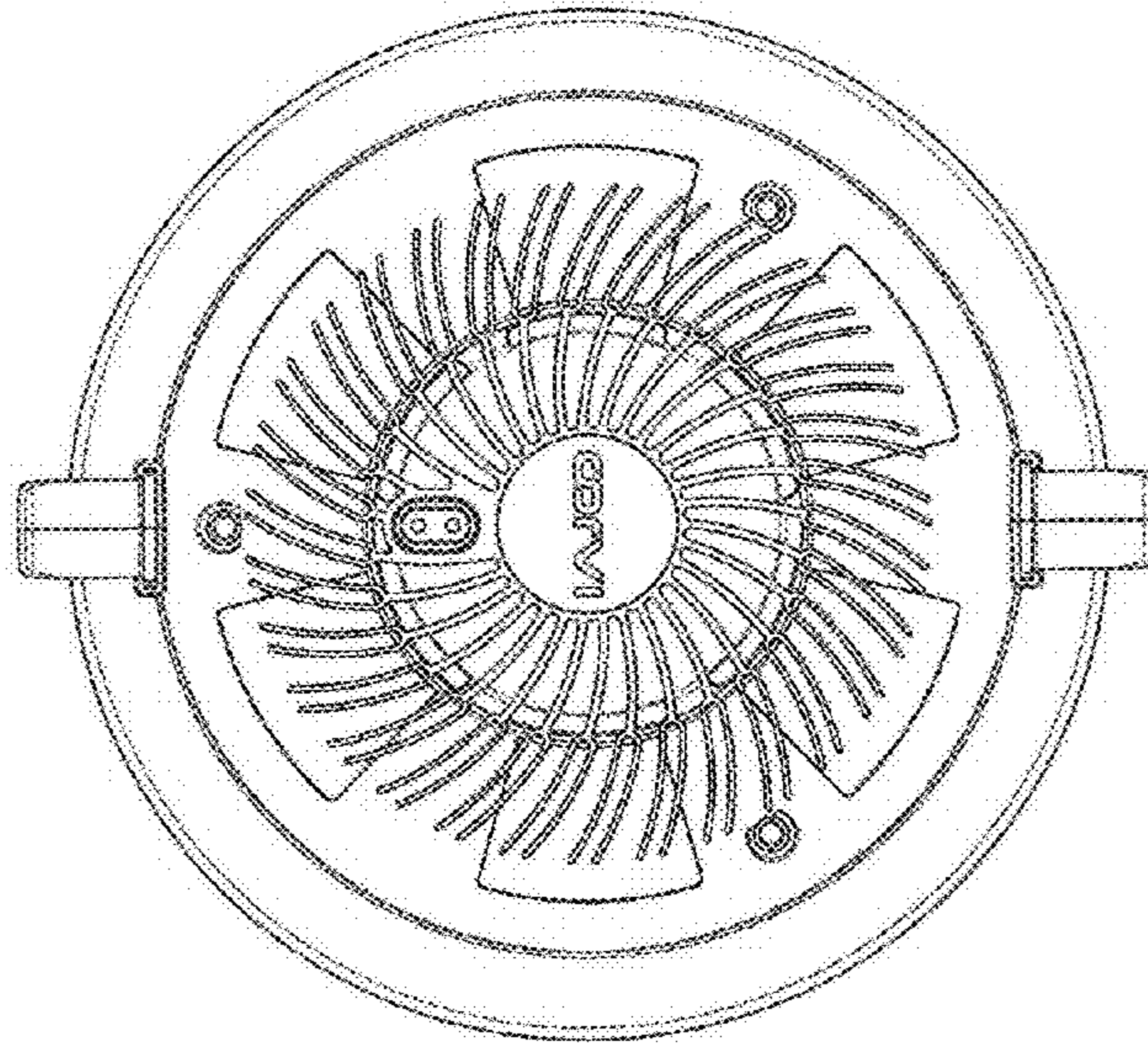


Fig. 4

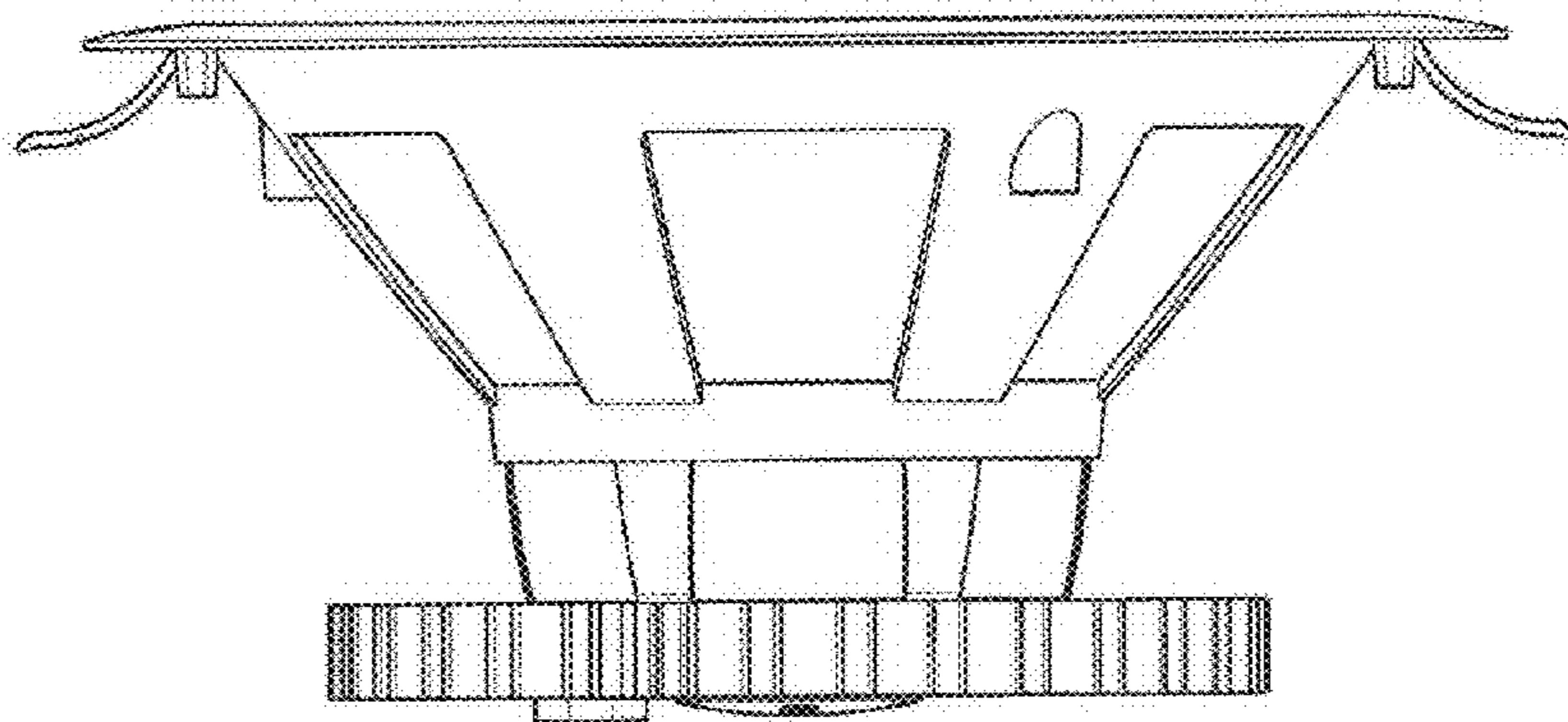


Fig. 5

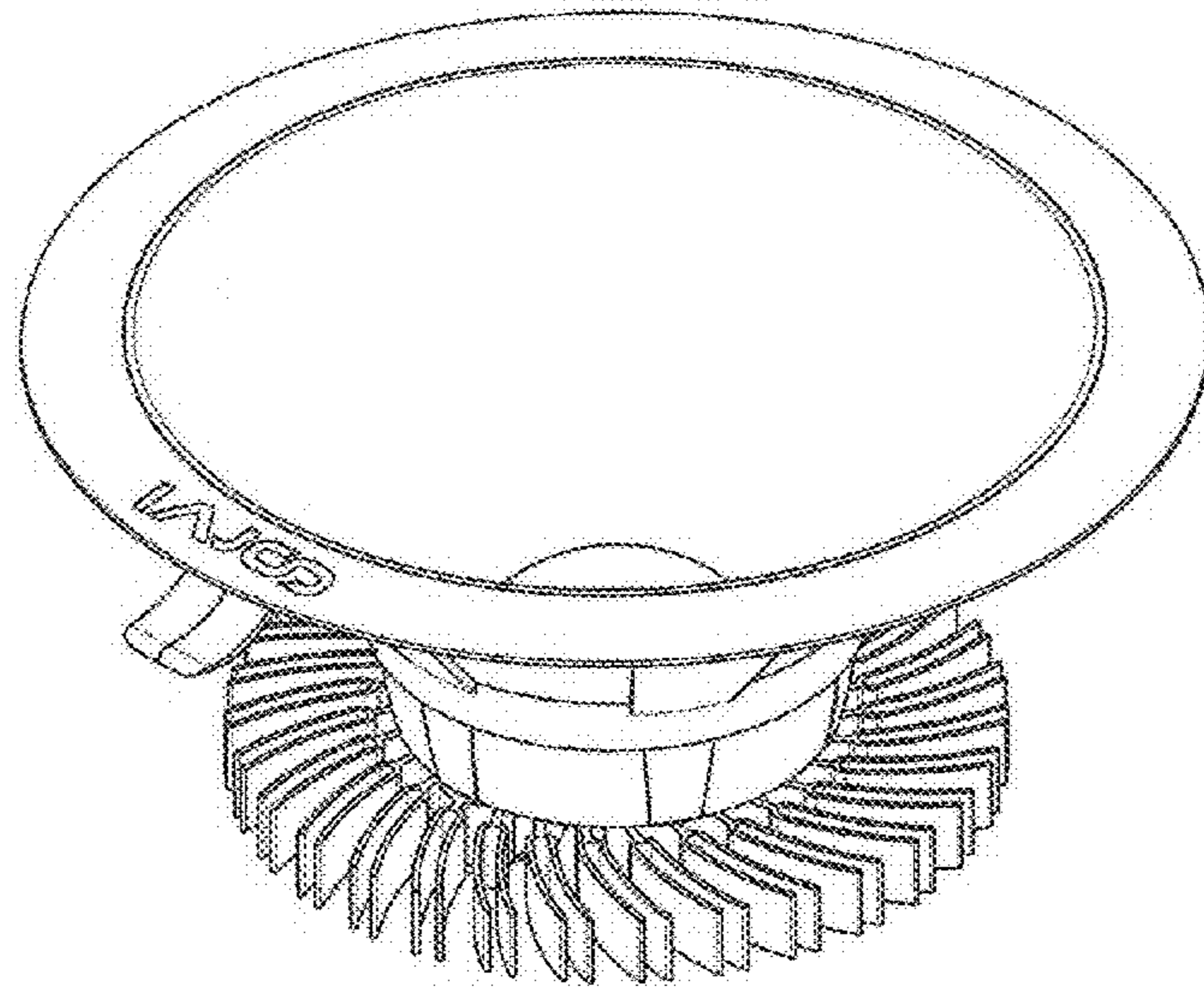


Fig. 6

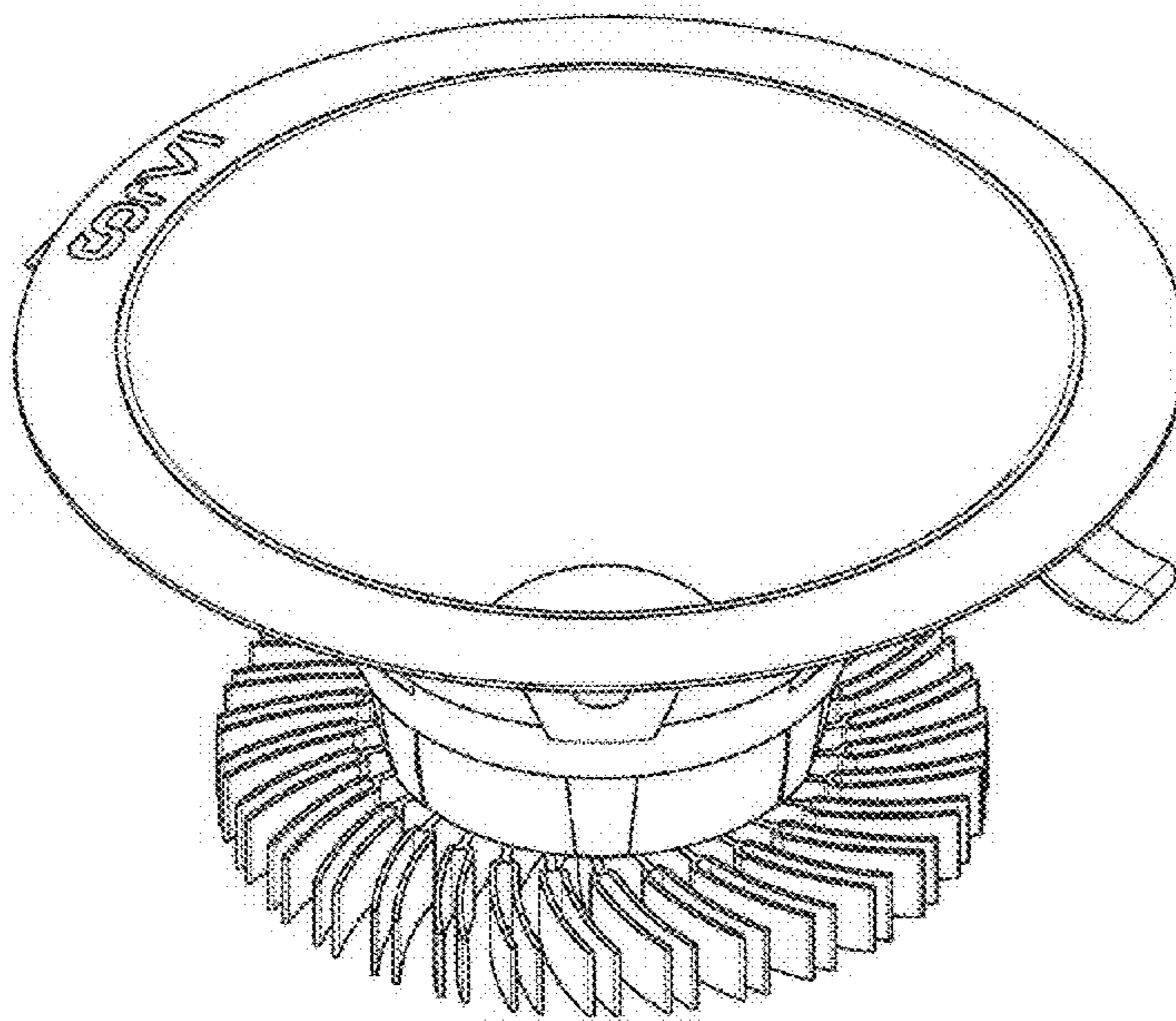


Fig. 7

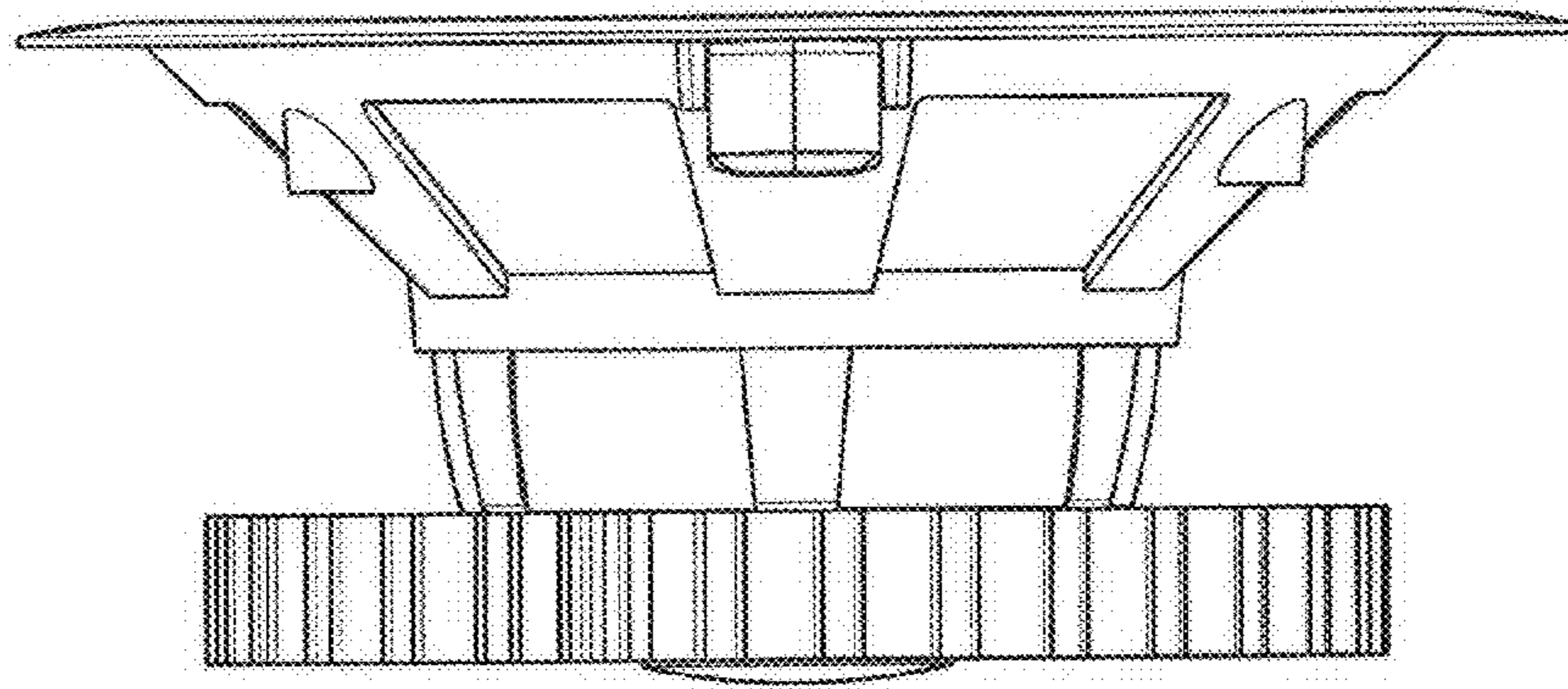


Fig. 8

