



US00D723191S

(12) **United States Design Patent**
Britton

(10) **Patent No.:** **US D723,191 S**

(45) **Date of Patent:** **** Feb. 24, 2015**

- (54) **STRUCTURAL BUILDING PANEL**
- (71) Applicant: **Rex Britton**, Prescott, AZ (US)
- (72) Inventor: **Rex Britton**, Prescott, AZ (US)
- (**) Term: **14 Years**
- (21) Appl. No.: **29/474,102**
- (22) Filed: **May 30, 2014**

8,151,527 B2 * 4/2012 Gosling et al. 52/238.1
 D658,785 S * 5/2012 Koennecke et al. D25/138
 2003/0182884 A1 * 10/2003 Kishimoto et al. 52/238.1

* cited by examiner

Primary Examiner — Doris Clark

(57) **CLAIM**

The ornamental design for a structural building panel, as shown and described.

DESCRIPTION

FIG. 1 is a perspective view showing my new design for a structural building panel from the front, top, and right side; FIG. 2 is a perspective view thereof showing the design from the front, top and left side; FIG. 3 is a perspective view thereof showing the design from the rear, top and left side; FIG. 4 is a perspective view thereof showing the design from the top, rear and right side; FIG. 5 is a perspective view thereof showing the design from the bottom, front and right side; FIG. 6 is a perspective view thereof showing the design from the bottom, rear and left side; FIG. 7 is a right-side elevational view thereof; FIG. 8 is a left-side elevational view thereof; FIG. 9 is a front elevational view thereof; FIG. 10 is a rear elevational view thereof; FIG. 11 is a top plan view thereof; and, FIG. 12 is a bottom plan thereof, and is a mirror image of the view in FIG. 11.

Related U.S. Application Data

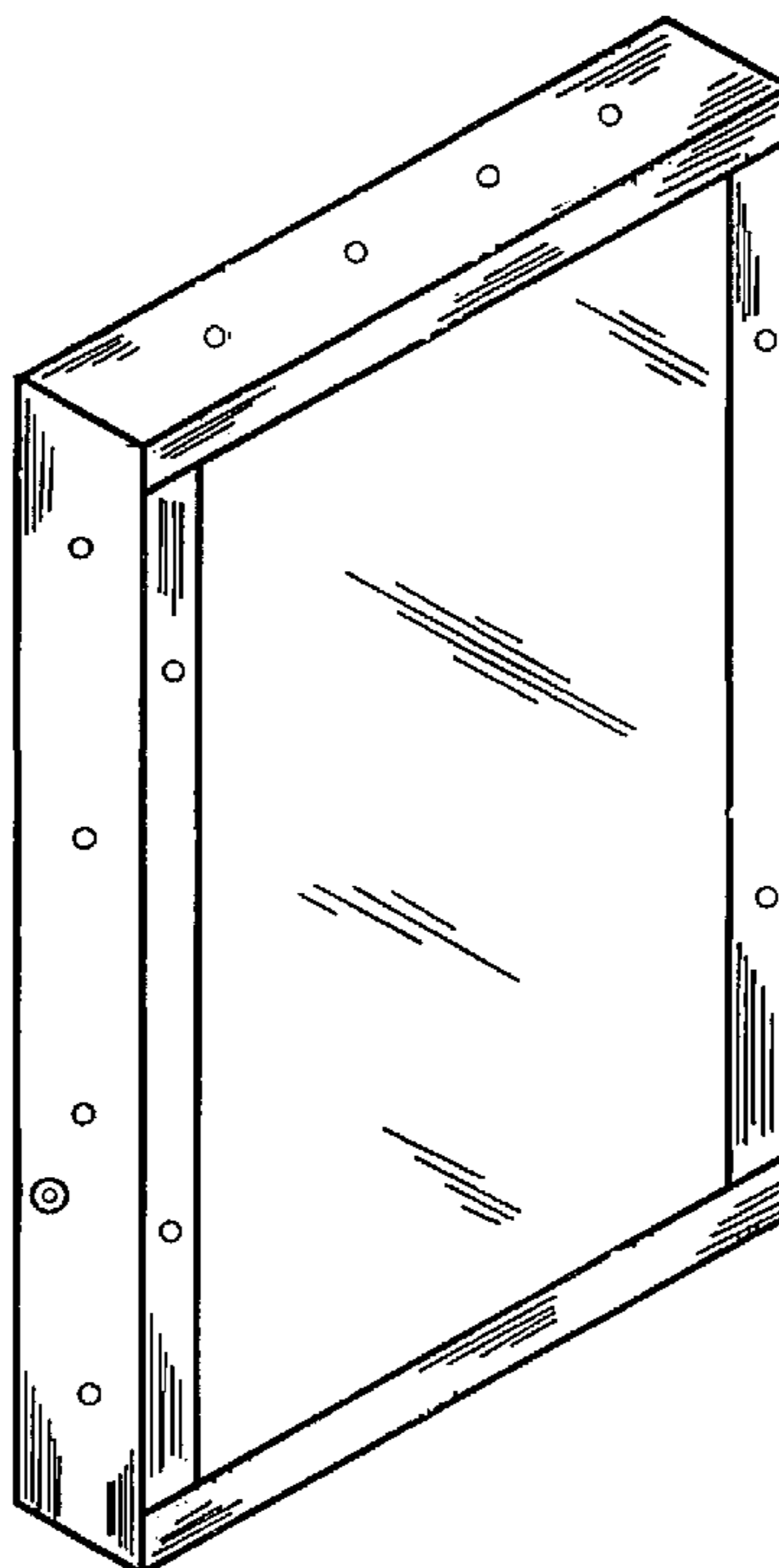
- (63) Continuation of application No. 29/463,931, filed on Apr. 9, 2014.
- (51) **LOC (10) Cl.** **25-01**
- (52) **U.S. Cl.**
USPC **D25/138**
- (58) **Field of Classification Search**
USPC D25/138; 52/64, 235, 238.1, 239,
52/243.1, 415, 434
See application file for complete search history.

(56) **References Cited**

U.S. PATENT DOCUMENTS

5,417,020 A * 5/1995 Dobija 52/235
 6,047,508 A * 4/2000 Goodman et al. 52/241
 6,619,003 B2 * 9/2003 Von Arx et al. 52/222
 D493,545 S * 7/2004 Lancia et al. D25/138
 D652,956 S * 1/2012 Tanaka et al. D25/138

1 Claim, 11 Drawing Sheets



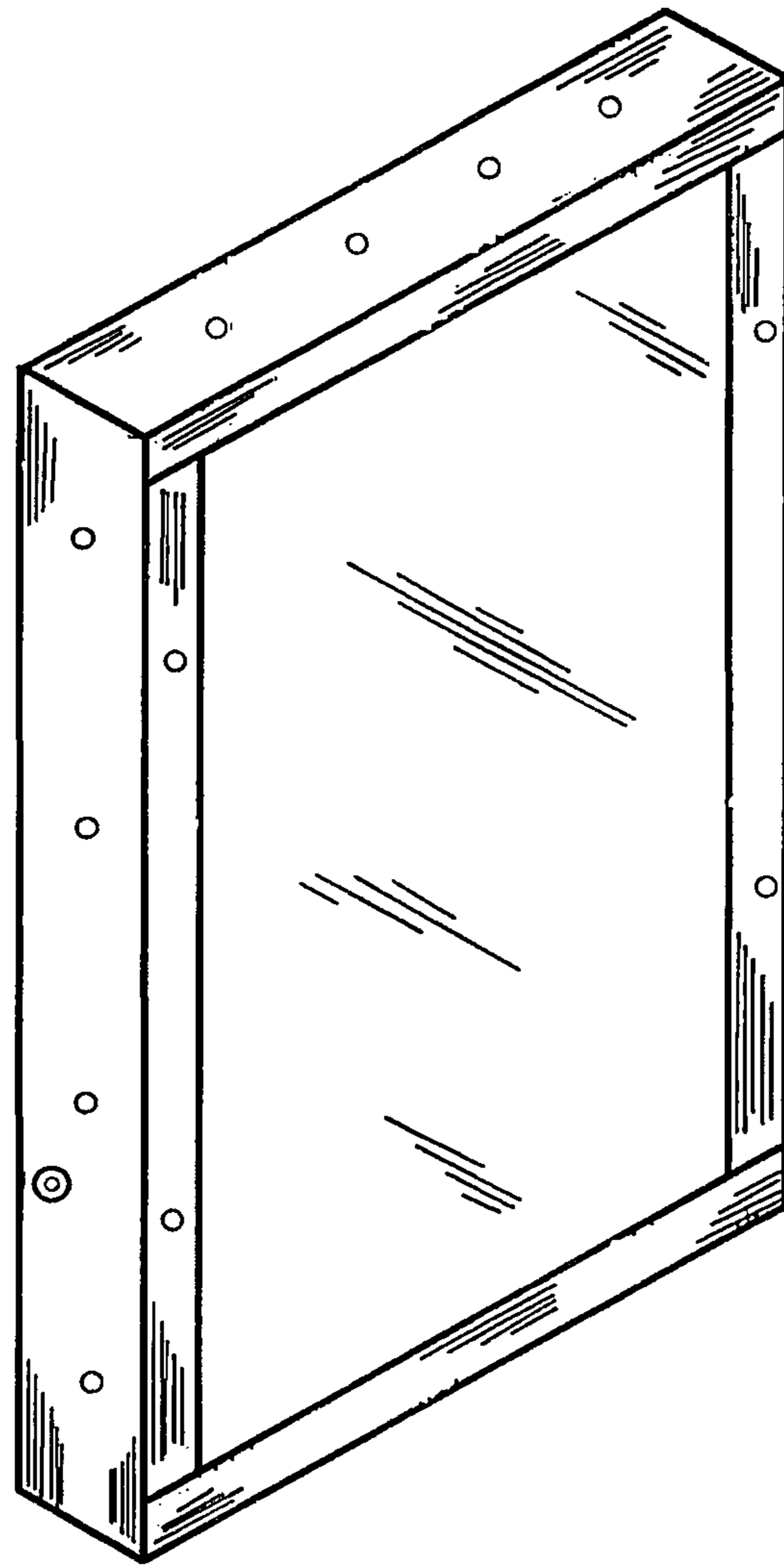


FIG. 1

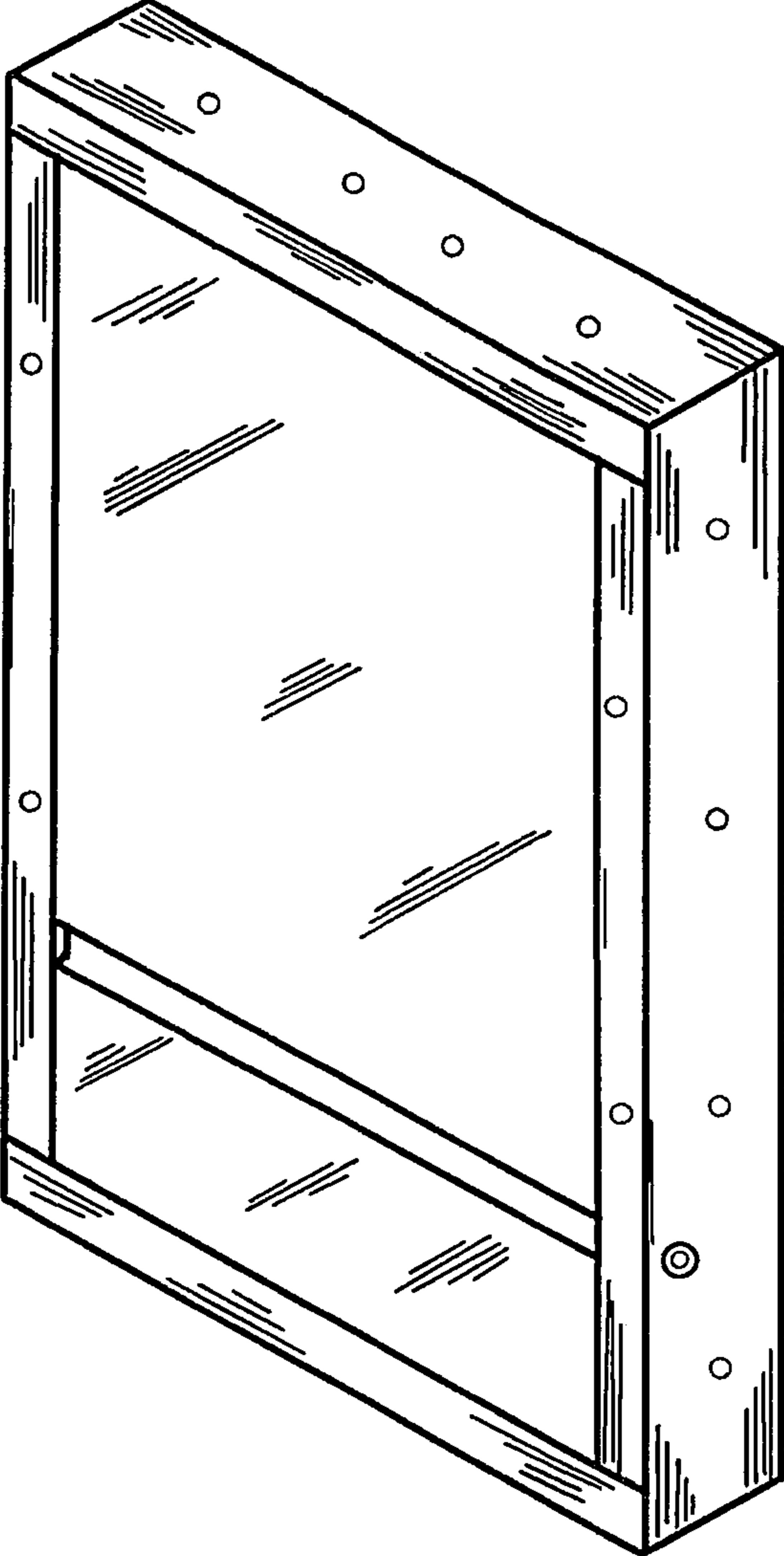


Fig. 2

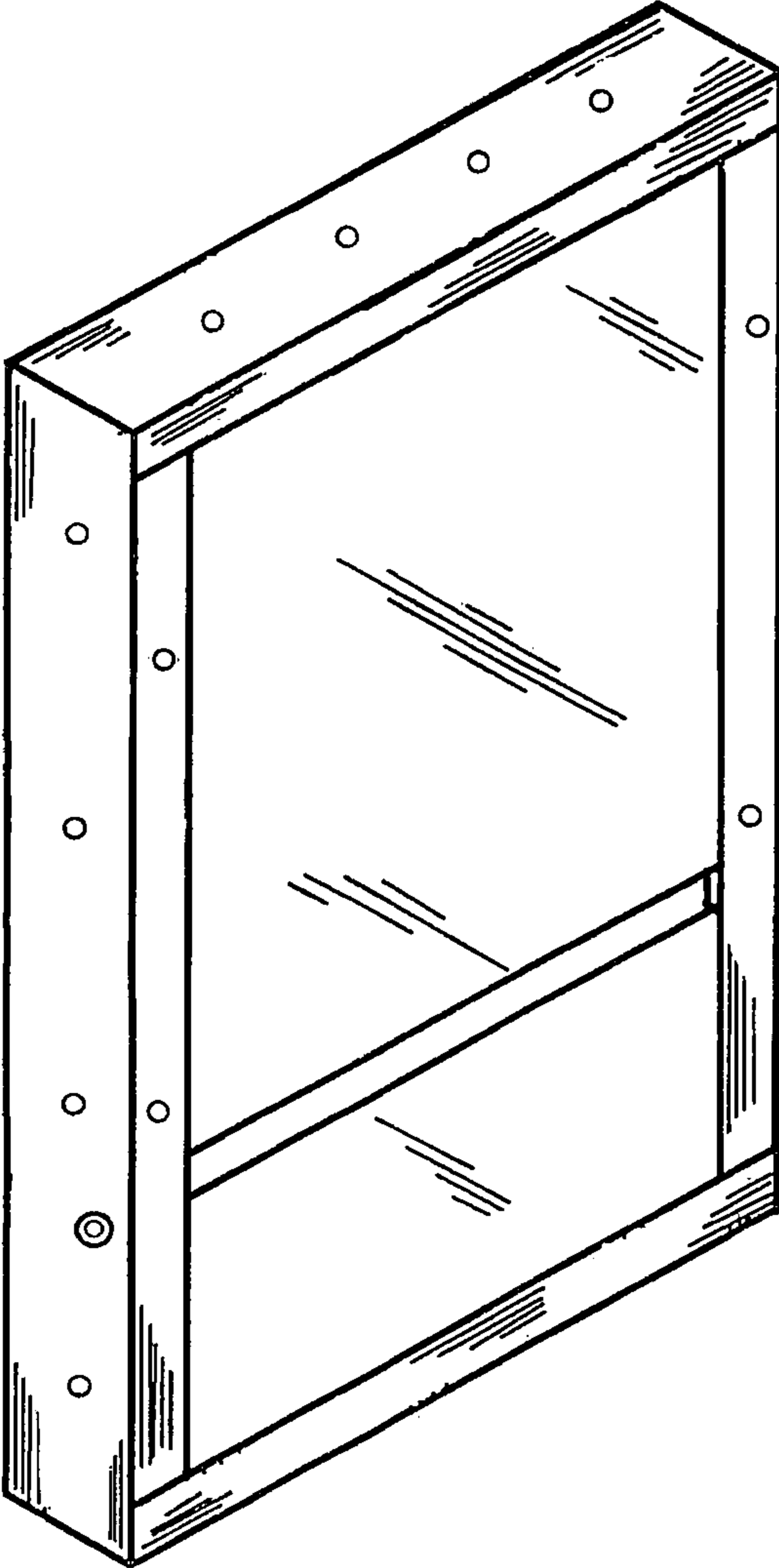


Fig. 3

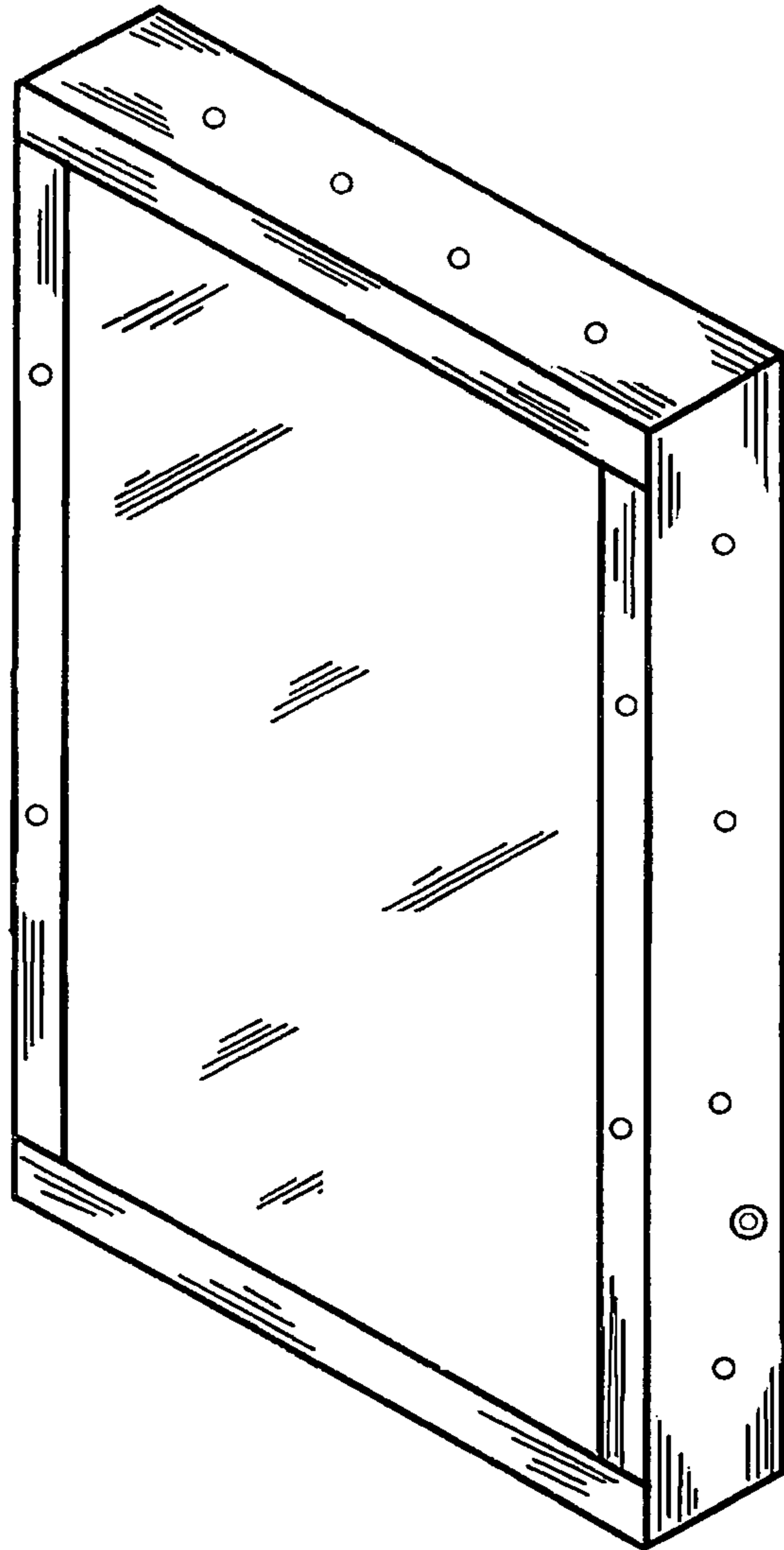


Fig . 4

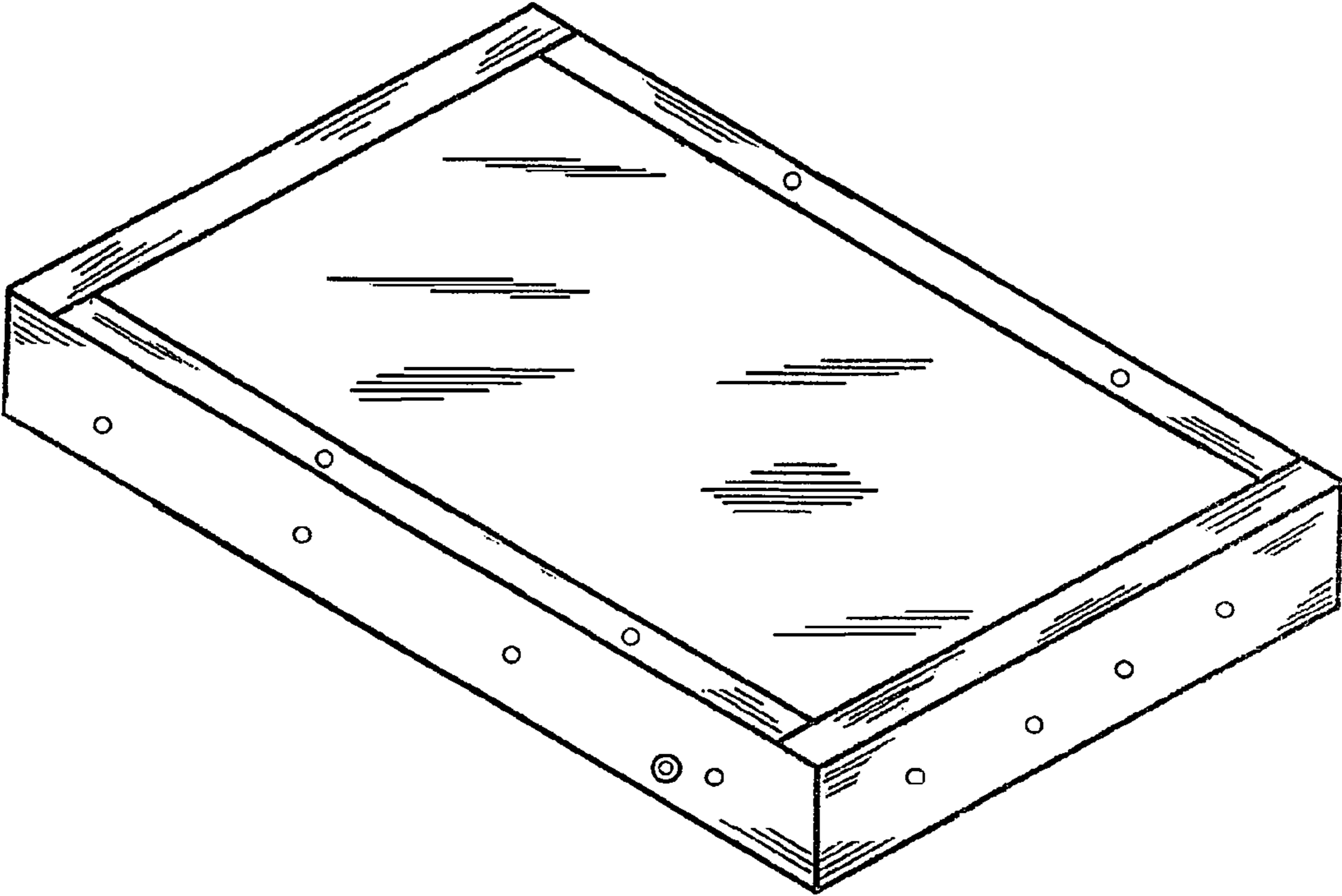


Fig. 5

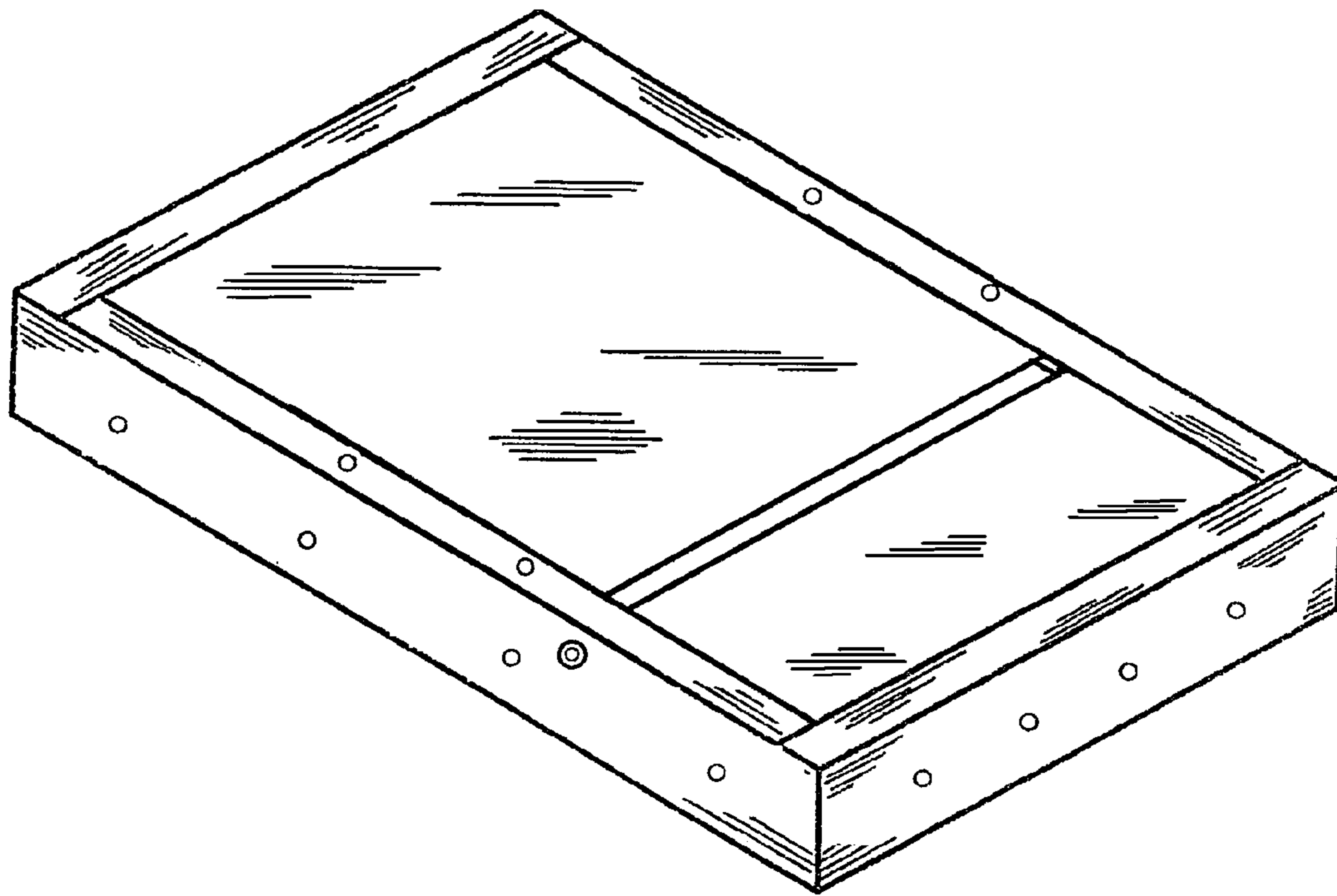


Fig. 6

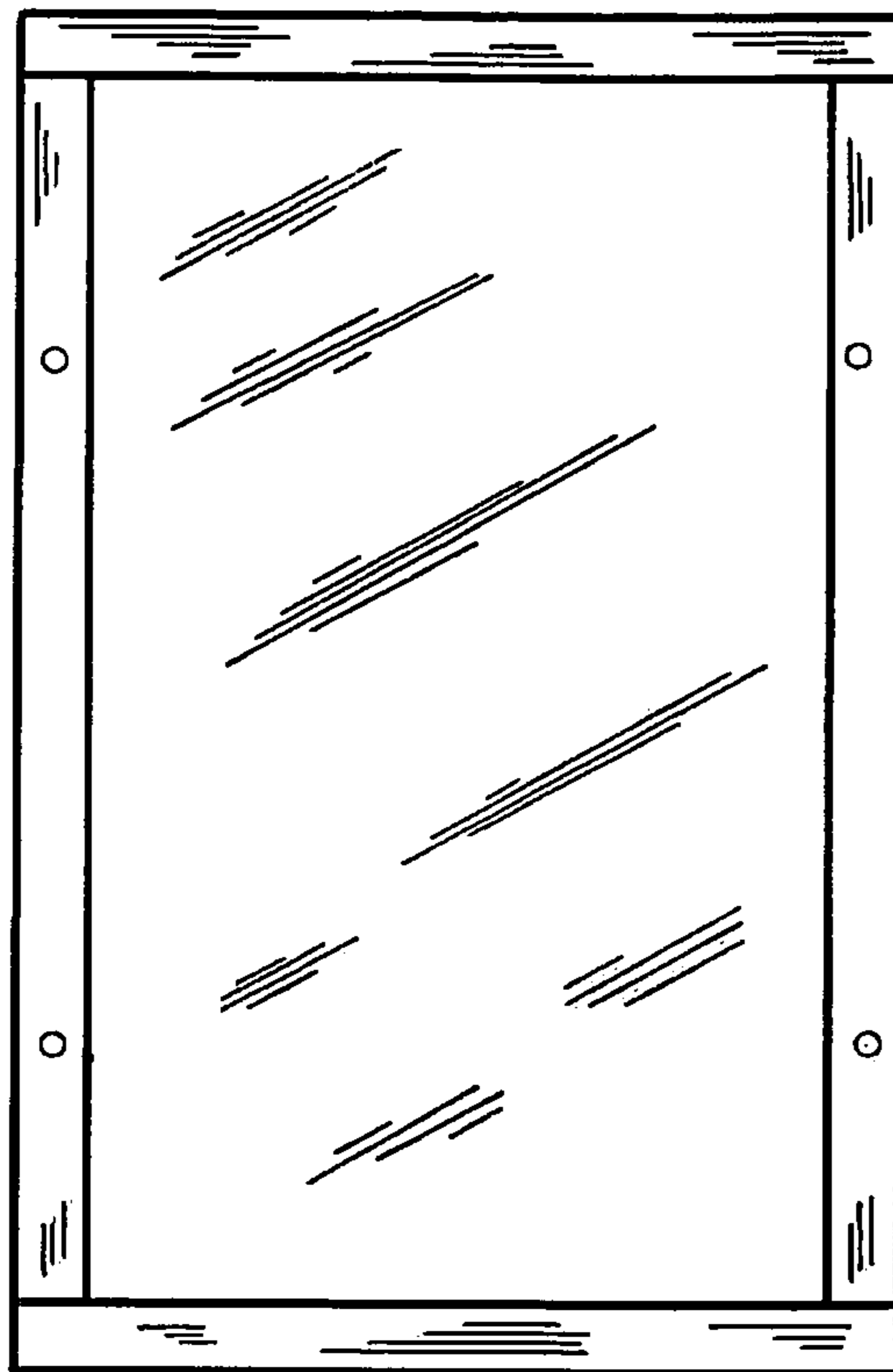


Fig. 7

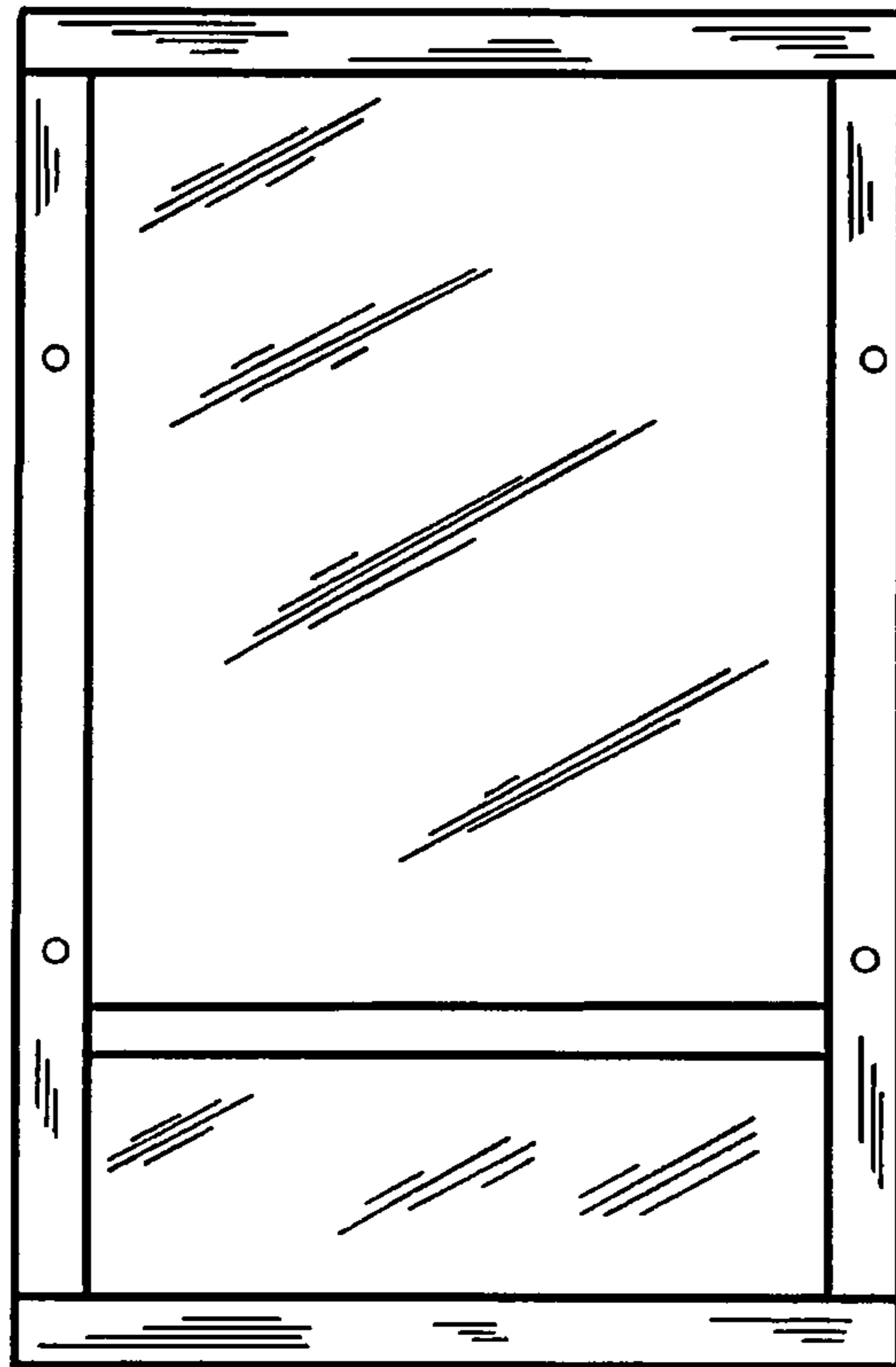


Fig. 8



Fig. 9

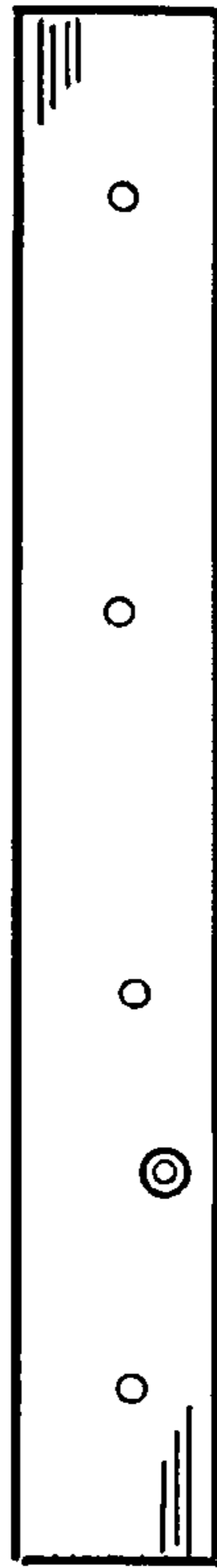


Fig. 10

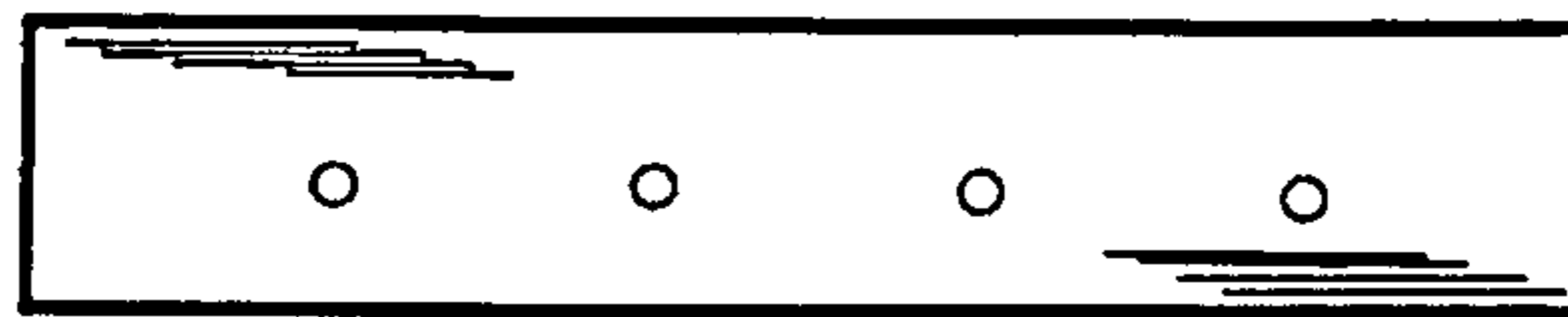


Fig. 11

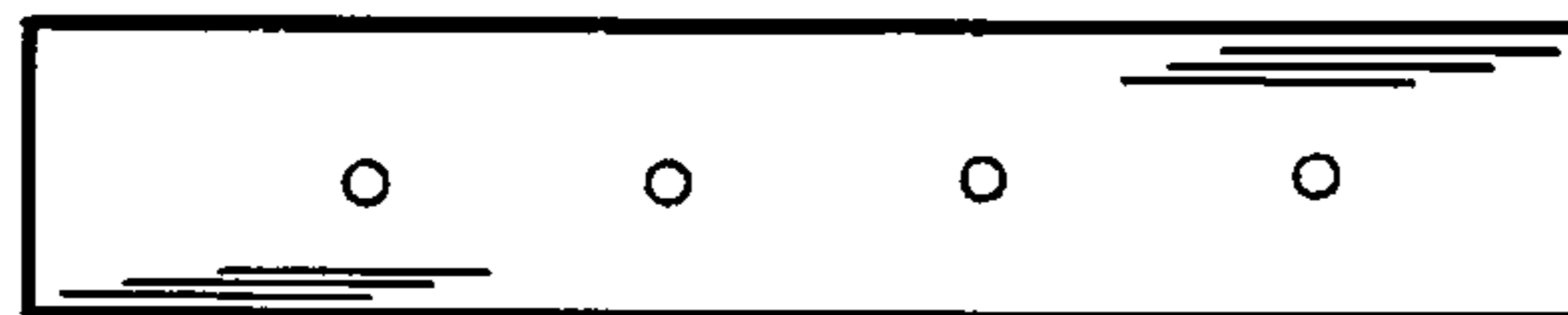


Fig. 12